

# Parts List

Compo. P/N: 096000-8612

Assy P/N: 096000-8612

S	M	Illust.No.	Part Name	DENSO P/N	Manu. P/N	QTY	I/C	Start	End	Remarks
		0	PUMP ASSY, INJECTI	096000-8612	22100-17620	01				
		1	HOUSING SUB-ASSY,	096110-0292	22101-54260	01			0104	
		1	HOUSING SUB-ASSY,	096110-1110	22101-17840	01	D	0105		
		2	HEAD SUB-ASSY, DIS	096400-1320	22140-17140	01				
		3	COMPENSATOR SUB-AS	096490-1040	22540-17540	01				
S		4	SHAFT, DRIVE	096121-0090	22170-96300	01				
S		5	RING SUB-ASSY, ROL	096180-0200	22108-17140	01				
		6	PUMP SUB-ASSY, FUE	096140-0030	22505-54010	01				
		7	GOVERNOR ASSY, TOR	096270-1000	22350-17540	01				
S		8	SHAFT SUB-ASSY, GO	096450-0020	22740-54010	1C				MARK 2
S		8	SHAFT SUB-ASSY, GO	096450-0050	22740-21910	1C				MARK 8
S		8	SHAFT SUB-ASSY, GO	096450-0440	22740-58480	1C				MARK 28
S		8	SHAFT SUB-ASSY, GO	096450-0460	22740-58650	1C				MARK 30
		9	SOLENOID ASSY, FUE	096030-0160	22390-6A510	01			9702	FCV,12V
		9	SOLENOID ASSY, FUE	096030-0520	22390-6A511	01	B	9702		FCV,12V
		9-1	O-RING	096049-0350		01				ID15.3
		10	HOLDER SUB-ASSY, F	096260-0050	22741-54020	01				
S		11	FLYWEIGHT, DISTRIB	096263-0040	22745-56350	04				
		12	SLEEVE, GOVERNOR	096252-0911	22316-17170	1C				D0.6
		12	SLEEVE, GOVERNOR	096252-0921	22316-17171	1C				D0.7
		12	SLEEVE, GOVERNOR	096252-0961	22316-17175	1C				D0.75
S		13	WASHER, FLYWEIGHT	096265-0030	22753-54020	01				ROUND TYPE
S		15	WASHER, FLYWEIGHT	096265-0020	22753-54010	1C				T1.30
S		15	WASHER, FLYWEIGHT	096265-0050		1C				T1.32
S		15	WASHER, FLYWEIGHT	096265-0060		1C				T1.28
		16	NUT, GOVERNOR SHAF	096254-0050	22722-54470	01				M10,L SCREW
		17	SHAFT SUB-ASSY, GO	096250-0030	22380-54020	01				
		18	O-RING	949140-2930	90099-14049	01				ID 8
		19	BOLT, SOCKET	096449-0110	22395-56351	12			0104	M6,L16
		19	BOLT, SOCKET	096449-0110	22395-56351	09		0105		M6,L16
		20	RING, GOVERNOR SLE	096255-0020	22147-54290	01				
		21	HOLDER, DELIVERY V	096425-0190	22131-17420	06				
		22	VALVE SUB-ASSY, DI	096420-0670	22104-17540	06				
S		23	SPRING, DELIVERY V	096427-0050	22148-5B250	06				
		24	GASKET, DELIVERY V	096426-0070	22149-56351	06				
		25	SEAT, DELIVERY VAL	096428-0010	22141-54010	06				
S		26	CAMPLATE SUB-ASSY,	096230-0340	22130-17540	01				
S		28	PLATE, PLUNGER, LW	096245-0020	22163-54010	01				
S		29	PLATE, PLUNGER, UP	096244-0040	22162-54010	01				
		30	SPRING, COUPLING	096224-0100	22659-17140	01				
		31	COUPLING	096222-0050	22632-56350	01				
		32	GEAR, GOVERNOR DRI	096124-0030	22341-54010	01				
		33	JOINT, RUBBER	096126-0020	22169-54180	02				
		34	WASHER, DRIVE SHAF	096125-0010	22161-54010	01				
S		35	COVER, FEED PUMP	096147-0052	22511-58650	01				
		36	KEY, WOODRUFF	949130-0260	90099-13017	01				

# Parts List

Compo. P/N: 096000-8612

Assy P/N: 096000-8612

S	M	Illust.No.	Part Name	DENSO P/N	Manu. P/N	QTY	I/C	Start	End	Remarks
		37	KEY, WOODRUFF	949130-0300	90099-13018	01				
		38	E-RING	90577-02000	90096-90024	01				D2
S		39	BEARING, BALL	949100-2860	90099-10148	01				OD8
S		40	SEAL, OIL	096039-0040	22544-64740	01				
		41	PISTON ASSY, TIMER	096190-0971	22550-17420	01			0104	
		41	PISTON ASSY, TIMER	096190-1161	22550-17840	01	D	0105		
		42	SUB-PISTON, TIMER	096213-0020	22657-54010	01				
		43	PIN, TIMER SLIDE	096205-0020	22655-54010	01				
		44	STOPPER, TIMER SLI	096216-0020	22658-54010	01			9510	
		44	STOPPER, TIMER SLI	096216-0120	22658-17840	01	A	9510		
		45	CLIP, TIMER	096211-0050	22656-54010	01			9510	
		45	CLIP, TIMER	096211-0080	22656-17840	01	A	9510		
		46	COVER SUB-ASSY, TI	096210-0870	22790-17020	01				TIMER COVER
		46-1	COVER, TIMER	096218-0870	22612-17020	01				
		46-2	STOPPER, TIMER SLI	096216-0110	22658-17020	01				
		46-3	O-RING	096049-0290	22193-17020	01				ID 8.8
		46-4	NUT, HEXAGON	949050-5010	90099-05225	01				
		47	COVER, TIMER	096218-0270	22612-56350	01			0104	
		47	COVER, TIMER	096218-0901	22612-17840	01	D	0105	0408	
		47	COVER, TIMER	096218-1030		01	B	0408		
		48	SPRING, TIMER, OUT	096208-1451	22615-17540	1C				K0.11,BLACK
		48	SPRING, TIMER, OUT	096208-1461	22615-17541	1C				K0.12,RED
		48	SPRING, TIMER, OUT	096208-1471	22615-17542	1C				K0.13,WHITE
		48	SPRING, TIMER, OUT	096208-1481	22615-17543	1C				K0.14,YELLOW
		49	BRACKET SUB-ASSY,	096471-0401	22601-17140	01				
		50	O-RING	949140-5820	90099-14105	02			9310	ID26.3
		50	O-RING	949140-5820	90099-14105	03		9311	9508	ID26.3
		50	O-RING	096049-0400	22193-17840	03	A	9509		ID27.5
S		51	PLUG, DISTRIBUTIVE	096417-0040	22176-54020	01				
		52	BOLT, DISTRIBUTIVE	096418-0060	22128-56330	01				
		53	GASKET, DELIVERY V	096426-0030	22149-56200	02			9703	ID8.2,T1
		53	GASKET, DELIVERY V	096426-0130	22149-54771	02	B	9704		
		54	O-RING	949140-2970	90099-14052	01			9607	ID30
		54	O-RING	096049-0510	22193-54772	01	A	9607		ID30
S		55	SHEET, PLUNGER SPR	096247-0030	22145-56350	01				
		56	GUIDE SUB-ASSY, PL	096237-0020	22192-56350	02				
		57	SPRING, PLUNGER	096236-0090	22144-17140	02				
		58	SHEET, PLUNGER SPR	096246-0030	22143-56350	02				
		60	O-RING	949140-2980	90099-14053	01				ID60
		61	PICKUP ASSY, TACHO	076300-1600		01			9211	
		61	PICKUP ASSY, TACHO	076300-2010	83180-60070	01	B	9211		
		62	SPRING, LEVER SUPP	096279-0010	22314-54010	02				K1.03
		63	SMOKE SET SUB-ASSY	096480-0020		01				
		63-1	O-RING	949140-2900	90099-14047	01			9607	ID5
		63-1	O-RING	096049-0470	22193-54771	01	A	9607		ID5
		64	NUT	949056-1680	90179-06009	01				M6

# Parts List

Compo. P/N: 096000-8612

Assy P/N: 096000-8612

S	M	Illust.No.	Part Name	DENSO P/N	Manu. P/N	QTY	I/C	Start	End	Remarks
		67	BOLT, SOCKET	096449-0020	22395-54010	04				M6,L35
		68	SPRING, GOVERNOR I	096289-0380	22317-54730	01				
		69	SHEET, GOVERNOR SP	096267-0030	22369-54010	01				
		70	SCREW SUB-ASSY, OV	096020-0180	22160-56350	01				
		71	WASHER, AIR BLEEDE	090241-0010	22119-77020	05				T1.6
		73	SCREW, COUNTERSUNK	949002-0420	90099-00723	02				M4,L28
		74	SPRING, SPEED CONT	096261-0820	22726-56350	01				
		75	O-RING	096049-0300	22193-54770	01				
		78	GASKET, DELIVERY V	096426-0060	22149-56350	01				FOR HEAD PLUG
		79	SPRING, RETURN	096444-0050	22322-17170	01				
		80	LEVER SUB-ASSY, AD	096435-4740	22701-17590	1C				MARK 474
		80	LEVER SUB-ASSY, AD	096435-4750	22701-17591	1C				MARK 475
		80	LEVER SUB-ASSY, AD	096435-4760	22701-17592	1C				MARK 476
		82	GASKET, GOVERNOR C	096446-0100	22774-54270	01				
S		83	VALVE SUB-ASSY, RE	096160-0270	22180-17540	01				
		83-1	O-RING	096049-0180	22193-54561	01				ID10
		83-2	O-RING	949140-2920	90099-14080	01			9607	ID7.5
		83-2	O-RING	096049-0500		01	A	9607		ID7.5
		84	NUT, LOCK	096342-0010	22775-77121	01				
		85	SCREW, OVERFLOW	096021-0190	22569-17140	01				
		86	BOLT, GOVERNOR LIN	096269-0020	22739-54020	02				
		87	BOLT, SOCKET	096449-0070	22395-58200	05				M6,L45
		88	BOLT, HEXAGON, W/	949045-0210	90099-04954	02				M6,L62
		91	WASHER, GOVERNOR T	096273-0140	22378-64010	01				T0.5
		92	SHIM, PLUNGER SPRI	096248-0010	22182-54010	2C				T0.5
		92	SHIM, PLUNGER SPRI	096248-0020	22183-54010	2C				T0.8
		92	SHIM, PLUNGER SPRI	096248-0030	22184-54010	2C				T1.0
		92	SHIM, PLUNGER SPRI	096248-0040	22185-54010	2C				T1.2
		92	SHIM, PLUNGER SPRI	096248-0050	22186-54010	2C				T1.5
		92	SHIM, PLUNGER SPRI	096248-0060	22187-54010	2C				T1.8
		92	SHIM, PLUNGER SPRI	096248-0070	22188-54010	2C				T2.0
		92	SHIM, PLUNGER SPRI	096248-0080	22182-17010	2C				T0.9
		92	SHIM, PLUNGER SPRI	096248-0090	22182-17011	2C				T1.1
		92	SHIM, PLUNGER SPRI	096248-0100	22182-17012	2C				T1.3
		92	SHIM, PLUNGER SPRI	096248-0110	22182-17013	2C				T1.4
		92	SHIM, PLUNGER SPRI	096248-0130		2C				T1.7
		92	SHIM, PLUNGER SPRI	096248-0140		2C				T1.9
		92	SHIM, PLUNGER SPRI	096248-0150		2C				T2.1
		92	SHIM, PLUNGER SPRI	096248-0170		2C				T0.85
		92	SHIM, PLUNGER SPRI	096248-0180		2C				T0.95
		92	SHIM, PLUNGER SPRI	096248-0190		2C				T1.05
		92	SHIM, PLUNGER SPRI	096248-0200		2C				T1.15
		92	SHIM, PLUNGER SPRI	096248-0210		2C				T1.25
		92	SHIM, PLUNGER SPRI	096248-0220		2C				T1.6
		92	SHIM, PLUNGER SPRI	096248-0230		2C				T0.2
		92	SHIM, PLUNGER SPRI	096248-0240		2C				T0.3

# Parts List

Compo. P/N: 096000-8612

Assy P/N: 096000-8612

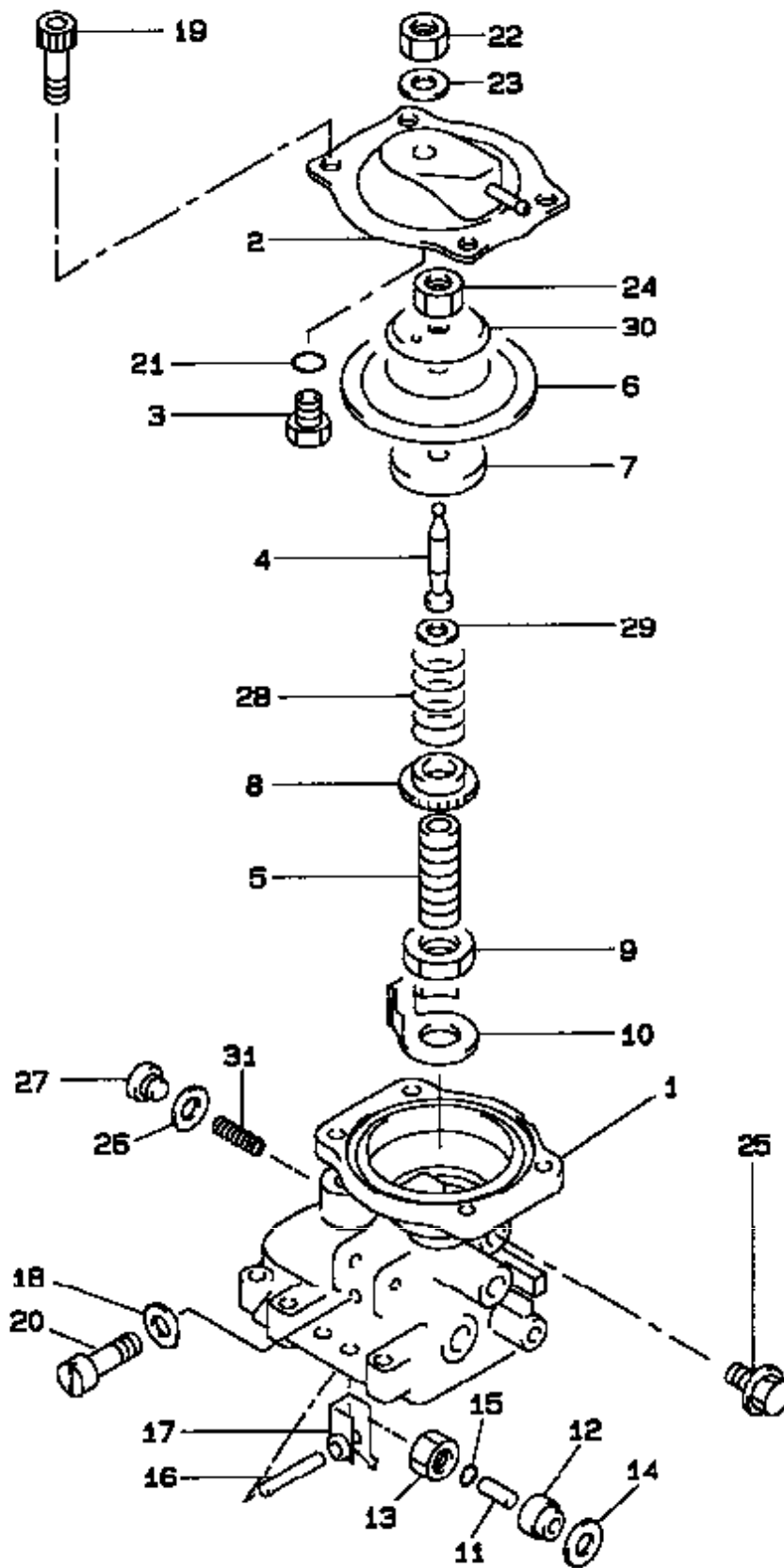
S	M	Illust.No.	Part Name	DENSO P/N	Manu. P/N	QTY	I/C	Start	End	Remarks
		92	SHIM, PLUNGER SPRI	096248-0250		2C				T0.4
		92	SHIM, PLUNGER SPRI	096248-0260		2C				T0.6
		92	SHIM, PLUNGER SPRI	096248-0270		2C				T0.7
		93	WASHER, GOVERNOR G	096266-0100	22713-54010	1C				T1.05
		93	WASHER, GOVERNOR G	096266-0110	22714-54010	1C				T1.25
		93	WASHER, GOVERNOR G	096266-0120	22715-54010	1C				T1.45
		93	WASHER, GOVERNOR G	096266-0130	22716-54010	1C				T1.65
		93	WASHER, GOVERNOR G	096266-0140	22717-54010	1C				T1.85
		93	WASHER, GOVERNOR G	096266-0150		1C				T1.55
		93	WASHER, GOVERNOR G	096266-0160		1C				T1.75
		93	WASHER, GOVERNOR G	096266-0170		1C				T2.05
		93	WASHER, GOVERNOR G	096266-0270		1C				T1.3
		93	WASHER, GOVERNOR G	096266-0280		1C				T1.4
		93	WASHER, GOVERNOR G	096266-0290		1C				T1.5
		93	WASHER, GOVERNOR G	096266-0300		1C				T1.6
		93	WASHER, GOVERNOR G	096266-0310		1C		9807		T1.15
		93	WASHER, GOVERNOR G	096266-0320		1C		9807		T1.2
		93	WASHER, GOVERNOR G	096266-0330		1C		9807		T1.7
		93	WASHER, GOVERNOR G	096266-0340		1C		9807		T1.8
		94	PLUG, GOVERNOR SLE	096256-0400	22787-64641	1C				L3.0
		94	PLUG, GOVERNOR SLE	096256-0410	22787-64642	1C				L3.1
		94	PLUG, GOVERNOR SLE	096256-0420	22787-64643	1C				L3.2
		94	PLUG, GOVERNOR SLE	096256-0430	22787-54026	1C				L3.3
		94	PLUG, GOVERNOR SLE	096256-0440	22787-54027	1C				L3.4
		94	PLUG, GOVERNOR SLE	096256-0450	22787-54028	1C				L3.5
		94	PLUG, GOVERNOR SLE	096256-0460	22787-54029	1C				L3.6
		94	PLUG, GOVERNOR SLE	096256-0470	22787-54030	1C				L3.7
		94	PLUG, GOVERNOR SLE	096256-0480	22787-54031	1C				L3.8
		94	PLUG, GOVERNOR SLE	096256-0490	22787-54032	1C				L3.9
		94	PLUG, GOVERNOR SLE	096256-0500	22787-54033	1C				L4.0
		94	PLUG, GOVERNOR SLE	096256-0510	22787-64640	1C				L4.1
		94	PLUG, GOVERNOR SLE	096256-0520	22787-64680	1C				L4.2
		94	PLUG, GOVERNOR SLE	096256-0530	22787-54034	1C				L4.3
		94	PLUG, GOVERNOR SLE	096256-0540	22787-17140	1C				L4.4
		94	PLUG, GOVERNOR SLE	096256-0650	22787-54035	1C				L4.5
		94	PLUG, GOVERNOR SLE	096256-0660	22787-17141	1C				L4.6
		94	PLUG, GOVERNOR SLE	096256-0670	22787-54036	1C				L4.7
		94	PLUG, GOVERNOR SLE	096256-0680	22787-17142	1C				L4.8
		94	PLUG, GOVERNOR SLE	096256-0690	22787-17143	1C				L4.9
		94	PLUG, GOVERNOR SLE	096256-0700	22787-17144	1C				L5.0
		94	PLUG, GOVERNOR SLE	096256-0750	22787-17145	1C				L5.1
		94	PLUG, GOVERNOR SLE	096256-0760	22787-17146	1C				L5.2
		94	PLUG, GOVERNOR SLE	096256-0770	22787-17147	1C				L5.3
		94	PLUG, GOVERNOR SLE	096256-0780	22787-17148	1C				L5.4
		94	PLUG, GOVERNOR SLE	096256-0790	22787-17149	1C				L5.5
		94	PLUG, GOVERNOR SLE	096256-0800	22787-17150	1C				L5.6

# Parts List

Compo. P/N: 096000-8612

Assy P/N: 096000-8612

S	M	Illust.No.	Part Name	DENSO P/N	Manu. P/N	QTY	I/C	Start	End	Remarks
		94	PLUG, GOVERNOR SLE	096256-0810	22787-17151	1C				L5.7
		94	PLUG, GOVERNOR SLE	096256-0820	22787-17152	1C				L5.8
		94	PLUG, GOVERNOR SLE	096256-0830	22787-56350	1C				L5.9
		94	PLUG, GOVERNOR SLE	096256-0840	22787-56351	1C				L6.0
		94	PLUG, GOVERNOR SLE	096256-0850	22787-56352	1C				L6.1
		94	PLUG, GOVERNOR SLE	096256-0860	22787-56353	1C				L6.2
		94	PLUG, GOVERNOR SLE	096256-0870	22787-56354	1C				L6.3
		94	PLUG, GOVERNOR SLE	096256-0880	22787-56355	1C				L6.4
		94	PLUG, GOVERNOR SLE	096256-0890	22787-56356	1C				L6.5
		94	PLUG, GOVERNOR SLE	096256-0900	22787-56357	1C				L6.6
		95	WASHER, TIMER SENS	096214-0190	22625-17540	01			0104	T1.5
		95	WASHER, TIMER SENS	096214-0260	22625-17840	01	D	0105		T2.0
		96	COLLAR, SMOKE SET	096448-0111		01				COLLAR TYPE
		97	SHIM, PLUNGER ADJU	096406-0020	22179-54010	1C				T1.9
		97	SHIM, PLUNGER ADJU	096406-0510	22179-17049	1C				T2.88
		97	SHIM, PLUNGER ADJU	096406-0580	22179-17055	1C				T3.2
		97	SHIM, PLUNGER ADJU	096406-0750	22179-17069	1C				T2.23
		97	SHIM, PLUNGER ADJU	096406-0910	22179-17146	1C				T2.55
		98	NUT, CAP	949055-0300	90099-05161	01				M12L16.5
		102	BOLT, SOCKET	096449-0130	22395-54263	01			0006	M6,L14
		102	BOLT, SOCKET	096449-0110	22395-56351	01	A	0007		M6,L16
		103	CLIP, CONNECTOR SU	096029-0990	22172-6A370	01				
		104	SPRING, TIMER, OUT	096208-1370	22615-17030	01			0104	K1.7
		104	SPRING, TIMER, OUT	096208-1830	22615-17841	01	D	0105		K1.7,WHITE
		105	O-RING	096049-0190	22193-64750	01				ID14.8
		106	WIRE SUB-ASSY	096045-0690	22751-17470	01				
		107	CLIP, CONNECTOR SU	096029-0950	22172-6A330	01				
		109	BODY, REGULATE VAL	096161-0160	22180-17140	01				
		110	COVER SUB-ASSY, TI	096210-0892	22790-17590	01				
		111	IDLE UP SUB-ASSY	096470-0460	22305-17590	01				
		112	BOLT, SOCKET	096449-0100	22395-56352	02				M6,L10
		113	O-RING	949140-2960	90099-14051	01			9310	ID26.3
		114	CAP RUBBER	096468-0250	22777-54261	01				
		115	WASHER, COPPER PLA	949018-1580	90099-01533	1C				T1
		115	WASHER, AIR BLEEDE	090241-0010	22119-77020	1C				T1.6
S		116	FILTER, SUB-ASSY	096530-0071	22602-56350	01				
		117	WASHER	096064-0110	22689-56350	01				
		118	NUT, HEXAGON	90166-06051	90092-10608	01				M6,L5
		120	BOLT, SOCKET	096449-0280	22395-17840	04		0105		M6,L16
		121	ROD SUB-ASSY	096464-0050	22331-58490	01				
		128	SENSOR, ROTARY POS	198500-5021	89452-36010	01				
		129	BRACKET, IDLE UP	096438-2521	22178-17590	01				
		130	SCREW, W/WASHER	91370-04121	93315-14012	02				M4,L12
		135	O-RING	096049-0460	22193-5B320	01		9701		ID6.5
S		136	FILTER, SUB-ASSY	096530-0111	22602-5B320	01		9701		



OP1500

# Parts List

Compo. P/N: 096490-1040

Assy P/N: 096000-8612

S	M	Illust.No.	Part Name	DENSO P/N	Manu. P/N	QTY	I/C	Start	End	Remarks
0			COMPENSATOR SUB-AS	096490-1040	22540-17540	01				
1			COVER SUB-ASSY, GO	096440-0664	22703-64850	01				
2			COVER SUB-ASSY, GO	096440-1320	22703-17140	01				
3			STOPPER, TIMER SLI	096216-0030	22658-64518	01				
4			R0D, PUSH	096465-0660	22321-17150	01			9401	
4			R0D, PUSH	096465-0800		01	B	9402		
5			BUSHING, GUIDE	096118-0160	22348-64360	01				
6			DIAPHRAGM	192631-0010	22542-54260	01				
7			SHEET, PLUNGER SPR	096246-0020	22143-54260	01				
8			BUSHING, GUIDE	096118-0190	22348-54490	01				
9			NUT, HEXAGON	949050-4070	90099-05156	01				M18
10			CLIP, TIMER	096211-0070	22656-54490	01				
11			PIN, LEVER CONECTI	096455-0090	22338-54120	01				
12			BUSHING, GUIDE	096118-0020	22348-54121	01				
13			NUT, GOVERNOR SHAF	096254-0021	22722-54120	01				
14			WASHER, COPPER PLA	949018-1680	90099-01473	01				T1
15			O-RING	096049-0230	22193-55031	01				
16			PIN, LEVER SUPPORT	096272-0040	22526-54120	01				
17			LEVER SUB-ASSY, CO	096295-0080	22308-54140	01			9805	
17			LEVER SUB-ASSY, CO	096295-0680	22308-17570	01	B	9806		
18			WASHER, DRAIN SCRE	090248-0010	22378-76010	02			9407	
18			GASKET, DELIVERY V	096426-0110	22149-6D450	02	A	9407		
19			BOLT, SOCKET	096449-0130	22395-54263	04				M6,L14
20			BOLT, GOVERNOR LIN	096269-0032	22739-54120	02				
21			O-RING	096049-0180	22193-54561	01				
22			NUT, HEXAGON	949050-4100	90099-05181	01				M10
23			WASHER, PLATE	90200-08211	90093-00802	01				T1
24			NUT, HEXAGON	90176-06361	90092-20608	01				
25			SCREW SUB-ASSY, OV	096020-0110	22160-54262	01				
26			WASHER, AIR BLEEDE	090241-0010	22119-77020	01			9703	T1.6
26			GASKET, DELIVERY V	096426-0120	22149-54800	01	C	9704		
27			PLUG, SCREW	090317-0240	22129-55110	01				
28			SPRING, BOOST COMP	096492-0070	22546-54261	1C			9402	L19.6
28			SPRING, BOOST COMP	096492-0040	22546-54260	1C			9402	L19.8
28			SPRING, BOOST COMP	096492-0111	22546-17420	1C			9401	L20.0
28			SPRING, BOOST COMP	096492-0121	22546-64360	1C			9401	L19.9
28			SPRING, BOOST COMP	096492-0130	22546-58790	1C			9401	L19.9
28			SPRING, BOOST COMP	096492-0020	22546-55030	1C	B	9402		L19.4
28			SPRING, BOOST COMP	096492-0050	22546-58780	1C	B	9402		L19.5
28			SPRING, BOOST COMP	096492-0060	22546-5B013	1C	B	9402		L19.5
28			SPRING, BOOST COMP	096492-0590	22546-67041	1C		9402		L19.4
30			WASHER, THRUST	192633-0010	22549-17140	01				
31			SPRING	096466-0090	22327-55030	01				



# INJECTION PUMP TEST SPECIFICATIONS

096000-8611

<b>INJECTION PUMP</b>	096000-861# (VE6/12F2100RND861)	<b>MANU-FACTURER</b>	TOYOTA
<b>Governor Type</b>	All speed	<b>ENGINE TYPE</b>	1HD-T
<b>Rated Voltage</b>	12V	<b>VEHICLE MODEL</b>	LAND CRUISER
<b>Rotation</b>	Clockwise viewed from drive side	Dimension (mm) MS	: 1.50 – 1.60
<b>Injection Order</b>	A – B – C – D – E – F	Dimension (mm) K	: 2.90 – 3.10
<b>Injection Interval</b>	60° ±30'	Dimension (mm) KF	: 5.10 – 5.30
<b>1. TEST CONDITIONS</b> 1) Nozzle : 093400-0540 (DN12SD12A)      4) Feed Pressure : 0.2 kgf/cm <sup>2</sup> 2) Nozzle Opening Pressure : 145 – 155 kgf/cm <sup>2</sup> 5) High Pressure Pipe : 12 x 16 x 840 mm 3) Test Oil : SAE J967 (ISO4113)      6) Fuel Temperature : 40 – 45°C (104 – 113°F)			
<b>NOTE:</b> Apply 6 volts DC across the fuel cut solenoid during adjustment.			
<b>2. PRE-ADJUSTMENT</b> (at full lever position, boost pressure 600 mmHg)			
	<b>Pump Speed (rpm)</b>	<b>Fuel Delivery (cc/200st· 1cyl.)</b>	<b>Remarks</b>
<b>Full Load</b>	1100	11.64 – 13.04	By full load setting screw
<b>High Speed</b>	2200	2.20 – 3.80	By max. speed setting screw
Load Sensing Timer: Adjust the governor shaft so that the dimension "L" between the housing flange and the end of the governor shaft is about 2.5 mm.			
<b>3. ADJUSTMENT OF PUMP INTERNAL PRESSURE</b> (at full lever position, boost pressure 600 mmHg)			
	<b>Pump Speed (rpm)</b>	<b>Internal Pressure (kgf/cm<sup>2</sup>)</b>	<b>Remarks</b>
	500	2.2 – 2.8	By the regulating valve
	1800	8.7 – 9.3	
<b>4. OVERFLOW QUANTITY CHECK</b> (at full lever position, boost pressure 600 mmHg)			
	<b>Pump Speed (rpm)</b>	<b>Overflow Quantity (cc/1000st)</b>	<b>Remarks</b>
	1800	370.0 – 650.0	The overflow valve belonging to the pump should be used for checking.
<b>5. ADJUSTMENT OF TIMER</b> (at full lever position, boost pressure 600 mmHg)			
<b>Pump Speed (rpm)</b>	1300	1440	1800
<b>Piston Travel (mm)</b>	1.05 – 1.85	2.35 – 3.15	5.6 – 6.4
<b>NOTE:</b> Hysteresis at each pump speed is less than 0.3 mm.			

6. ADJUSTMENT OF FUEL DELIVERY					
Lever Position	Pump speed (rpm)	Fuel Delivery (cc/200st, 1cyl)	Max. Spread In Delivery (cc)	Boost Pressure Absolute Pressure (mmHg)	Remarks
FULL	1100	Q = 11.84 – 12.84	0.7	600	By full load setting screw
	2200	2.4 – 3.6	—	600	By max. speed setting screw
	2200	Less than 0.6	—	600	
	2200	—	—	600	
	100	9.50 – 14.30	0.5	0	By governor sleeve plug
900	11.7 – 12.7	—	—		
1800	13.0 – 13.4	1.3	0.6		
—	—	—	—	—	
7. SETTING OF LOAD SENSING TIMER (at full lever position, boost pressure 600 mmHg)					
	Pump Speed (rpm)	Fuel Delivery (cc/200st, 1cyl)	Remarks		
Start of Load Sensing	1800	Full-load delivery – (1.0 – 1.6)	By governor shaft		
End of Pressure Drop	1440	8.4 – 8.8	Check		
<b>CHECK POINTS</b> 1. Change of Piston Travel : More than 3.7 mm (pump speed 1800 rpm) 2. Dimension of Governor Shaft : L = 0.3 – 2.0 mm					
8. SETTING OF ADJUSTING LEVER AT LOW SPEED (at idle lever position)					
Lever Position	Pump Speed (rpm)	Fuel Delivery (cc/500st, 1cyl)	Max. Spread In Delivery (cc)	Remarks	
IDLE	390	2.25 – 3.75	1.25	By idle setting screw	
9. ADJUSTMENT OF BOOST COMPENSATOR					
Pump Speed (rpm)	Boost Pressure (mmHg)	Fuel Delivery (cc/1000st, 1cyl)	Remarks		
500	0	37.5 – 39.5			
1100	0	44.8 – 49.8			
1100	160	50.6 – 52.6			
1100	250	54.5 – 59.5			
1100	650	More than (5 x Q – 0.5)			
10. ADJUSTMENT OF T.C.V. (with no power supply to T.C.V.)					
			N.A. : Not Applicable		
Pump Speed (rpm)	Boost Pressure (mmHg)	Piston Stroke (mm)			
N.A.	N.A.	N.A.			

# INJECTION PUMP TEST SPECIFICATIONS

096000-8611

<b>11. ADJUSTMENT OF THROTTLE POSITION SENSOR</b> (Applying 5.0 ±0.01V to sensor.)			N.A. : Not Applicable		
	<b>Pump Speed (rpm)</b>	<b>Condition</b>		<b>Sensor Output Voltage</b>	
<b>Set point</b>	N.A.	N.A.		0.575 – 0.625	
<b>Check point</b>	N.A.	N.A.		N.A.	
<b>12. CHARACTERISTIC OF A.C.S.D.</b>					
<b>Lever Position</b>	<b>Pump Speed (rpm)</b>	<b>Fuel Temperature (°C)</b>	<b>Measuring Value</b>		<b>Remarks</b>
IDLE	325	24 – 26	Piston Travel (mm) : 0.6 – 0.8		
	325	24 – 26	Idle-up Quantity (cc/500st) : A + (0.85 – 1.35)		
<b>13. ADJUSTMENT OF POWER CONTROL</b> (Adjustment should be done while the power control lever is in contact with the stopper.)					
N.A. : Not Applicable					
<b>Lever Position</b>	<b>Pump Speed (rpm)</b>	<b>Boost Pressure (mmHg)</b>	<b>Fuel Delivery (cc/200st. 1cyl)</b>	<b>Remarks</b>	
FULL	N.A.	N.A.	N.A.		
<b>14. ADJUSTMENT OF DASH POT</b>					
N.A. : Not Applicable					
<b>Pump Speed (rpm)</b>	<b>Boost Pressure (mmHg)</b>		<b>Fuel Delivery (cc/500st)</b>	<b>Remarks</b>	
N.A.	N.A.		N.A.		
<b>15. FINAL CHECK AFTER ADJUSTMENT</b>					
<p>(1) Range of lever angle between idle and full lever position is 43° ±5°.</p> <p>(2) Resistance of pick-up tachometer must be 650 – 970 ohms.</p>					

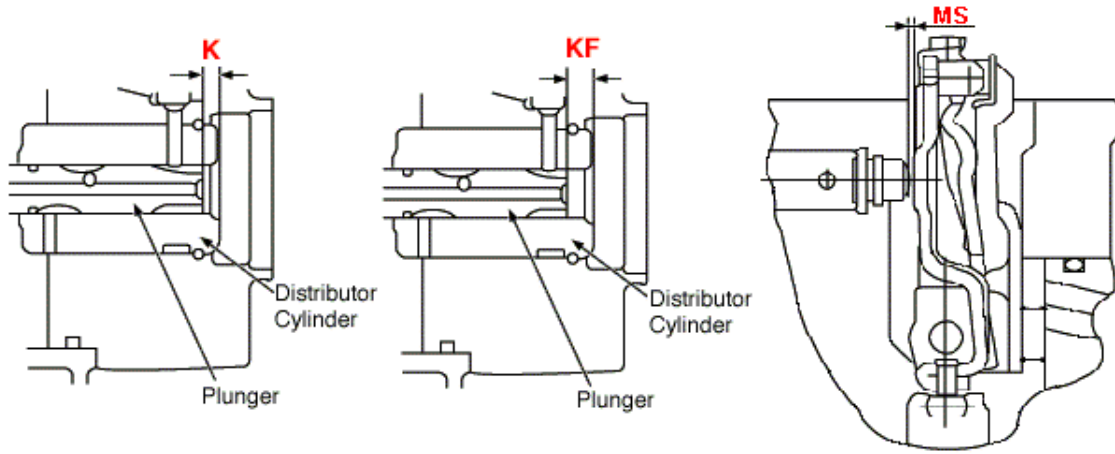
Assy P/N: 096000-8610

Manu P/N: 22100-17620

**K: 2.9-3.1**

**KF: 5.1-5.3**

**MS: 1.44-1.64**



**Remarks**

# Assembly Dimension Search Result

Assy P/N: 096490-1040

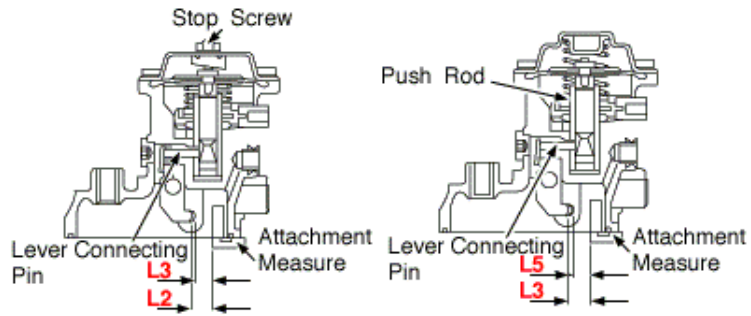
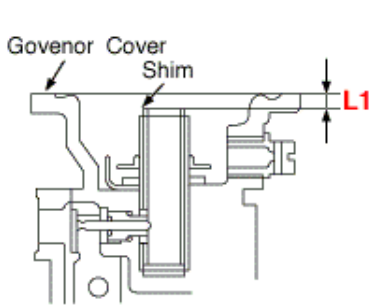
Manu P/N: 22540-17540

L1: -

L2: 10.02-10.12

L3: -

L5: -



Remarks