

096500-5001

OP3385

Parts List

Compo. P/N: 096500-5001

Assy P/N: 096500-5001

S	M	Illust.No.	Part Name	DENSO P/N	Manu. P/N	QTY	I/C	Start	End	Remarks
		0	PUMP ASSY, INJECTI	096500-5001	RF2A 13 800A	01				ECD-V5
		0-1	OVER-HAUL KIT, DIS	096010-0740		01				O/H KIT
	*	1	HOUSING SUB-ASSY,	096110-1270		01			9909	NO SUPPLY
		1	HOUSING SUB-ASSY,	096110-1320		01	B	9910		
	*	2	HEAD SUB-ASSY, SPI	096541-1760		01			0007	NO SUPPLY
		2	HEAD SUB-ASSY, SPI	096541-1930		01	B	0008		
		2-1	HEAD SUB-ASSY, DIS	096400-1760		01			0007	
		2-1	HEAD SUB-ASSY, DIS	096400-1930		01	B	0008		
S		2-2	FILTER, SUB-ASSY	096530-0071	S5A1 13 VF5	01				
		2-3	WASHER	096064-0110	S5A1 13 VK3	01				T0.2
		3	SENSOR ASSY, CRANK	029600-0971		01				NE SENSOR
		3-1	O-RING	029475-0080		01				ID20.8
		4	SHAFT SUB-ASSY, DR	096120-0150		01				
S	*	5	RING SUB-ASSY, ROL	096180-0300		01			0001	NO SUPPLY
S		5	RING SUB-ASSY, ROL	096180-0330		01	B	0002		
		6	COVER, GOVERNOR	096441-1700		01				
		7	VALVE ASSY, INJECT	098300-0120		01				
		8	COVER, TIMER	096218-0950		01				
S		9	SENSOR, FUEL TEMPE	179730-0020	RF1L 18 840	01				FUEL TEMP.SENSOI
		10	SOLENOID ASSY, FUE	096030-0520	S5A1 13 VF4	01				
		10-1	O-RING	096049-0350	S5A1 13 VJ7	01				ID14.4
		12	NUT, CAP	949055-0300	RF66 13 VX7	01				M12L16.5
		13	BOLT, SOCKET	096449-0110	S5A1 13 TD4	02				M6,L16
		14	HOLDER, DELIVERY V	096425-0211	RF2A 13 V23	04				
S		15	SPRING, DELIVERY V	096427-0080	RF2A 13 V22	04				
		16	VALVE SUB-ASSY, DI	096420-0860	RF2A 13 V21	04				
		17	GASKET, DELIVERY V	096426-0140	RF2A 13 V81	04				
		18	BOLT, SOCKET	096449-0320	RF2A 13 V51	05				M6,L12.5
S		19	CAMPLATE SUB-ASSY,	096230-0590		01				
S		20	PLATE, PLUNGER, LW	096245-0020	S501 24 071	01				
S		21	PLATE, PLUNGER, UP	096244-0040	S501 24 072	01				
		22	SPACER, COUPLING	096225-0010		01				
		23	COUPLING	096222-0070		01				
		24	NIPPLE SUB-ASSY, S	092218-0601	RF2A 13 VH5	01				
		25	WASHER, DRIVE SHAF	096125-0010	S501 24 036	01				
S		26	COVER, FEED PUMP	096147-0052	VS01 13 VF1	01				
		27	KEY, WOODRUFF	949130-0260	S501 24 032	01				T3.980
		28	NUT, HEXAGON	949050-4840		01			9805	M24
		28	NUT, HEXAGON	949050-6230		01	A	9806		M24
		29	BOLT, SOCKET	096449-0140	RF2A 13 TP3	02				M8,L16
S		30	SEAL, OIL	096039-0040		01				
		31	PISTON, TIMER	096201-1450		01				
		32	SUB-PISTON, TIMER	096213-0020	S501 24 053	01				
		33	PIN, TIMER SLIDE	096205-0020	S501 24 044	01				
		34	STOPPER, TIMER SLI	096216-0140		01				L16.0
		35	CLIP, TIMER	096211-0090		01				W/ DITCH
		36	COVER, TIMER	096218-0960		01				

Parts List

Compo. P/N: 096500-5001

Assy P/N: 096500-5001

S	M	Illust.No.	Part Name	DENSO P/N	Manu. P/N	QTY	I/C	Start	End	Remarks
		38	O-RING	096049-0540		02				ID29.5
S	*	39	PLUG, DISTRIBUTIVE	096417-0150		01			0009	
S		39	PLUG, DISTRIBUTIVE	096417-0172		01	B	0010		
		40	WIRE SUB-ASSY	096045-1101	RF2A 13 VZ9	01				
S		41	COVER, FEED PUMP	096147-0100		01				
		42	O-RING	096049-0510	S501 24 153	01				ID30
S		43	SHEET, PLUNGER SPR	096247-0030		01				
		44	GUIDE SUB-ASSY, PL	096237-0020		02				
		45	SPRING, PLUNGER	096236-0110		02				
		46	SHEET, PLUNGER SPR	096246-0030		02				
		48	SEAT, SNUBBER VALV	096433-0280	RF2A 13 V13	04				
		49	O-RING	949140-2980	S501 24 105	01				ID60
		50	O-RING	096049-0220		01				ID 28.2
		51	BOLT, SOCKET	096449-0020	S501 24 163	04				M6,L35
		52	GASKET, SPILL VALV	096535-0020		01				
		53	SCREW SUB-ASSY, OV	096020-0221	RF2A 13 VF3	01				W/FILTER
		54	WASHER, AIR BLEEDE	090241-0010	S501 24 283	05				T1.6
		55	O-RING	096049-0320		01				ID 9.8
		56	SCREW, COUNTERSUNK	949002-0420	S501 24 024	02				M4,L28
		57	WASHER	096064-0220		01				T1.8
		58	GASKET, GOVERNOR C	096446-0100	S501 24 162	01				
		59	SCREW, HOLLOW	949180-0770	RF66 13 VG7	01				M12,L43.5
		60	NIPPLE SUB-ASSY, S	092218-0611	RF2A 13 VH6	01				
		61	BOLT, SOCKET	096449-0070		04				M6,L45
S		62	VALVE SUB-ASSY, RE	096160-0290		01				
		62-1	O-RING	096049-0180	S501 24 271	01				ID10
		62-2	O-RING	096049-0500	S501 24 272	01				ID7.5
		63	PUMP SUB-ASSY, FUE	096140-0030	RF10 24 020	01				
		64	SHIM, PLUNGER SPRI	096248-0010	S501 24 081	2C				T0.5
		64	SHIM, PLUNGER SPRI	096248-0020	S501 24 082	2C				T0.8
		64	SHIM, PLUNGER SPRI	096248-0030	S501 24 083	2C				T1.0
		64	SHIM, PLUNGER SPRI	096248-0040	S501 24 084	2C				T1.2
		64	SHIM, PLUNGER SPRI	096248-0050	S501 24 085	2C				T1.5
		64	SHIM, PLUNGER SPRI	096248-0060	S501 24 086	2C				T1.8
		64	SHIM, PLUNGER SPRI	096248-0070	S501 24 087	2C				T2.0
		64	SHIM, PLUNGER SPRI	096248-0080	S501 24 088	2C				T0.9
		64	SHIM, PLUNGER SPRI	096248-0090	S501 24 089	2C				T1.1
		64	SHIM, PLUNGER SPRI	096248-0100	S501 24 091	2C				T1.3
		64	SHIM, PLUNGER SPRI	096248-0110	S501 24 092	2C				T1.4
		65	SHIM, PLUNGER ADJU	096406-0020	S501 24 111	1C				T1.9
		65	SHIM, PLUNGER ADJU	096406-0030		1C				T1.92
		65	SHIM, PLUNGER ADJU	096406-0040		1C				T1.94
		65	SHIM, PLUNGER ADJU	096406-0050		1C				T1.96
		65	SHIM, PLUNGER ADJU	096406-0060		1C				T1.98
		65	SHIM, PLUNGER ADJU	096406-0070	S501 24 112	1C				T2.0
		65	SHIM, PLUNGER ADJU	096406-0080		1C				T2.02
		65	SHIM, PLUNGER ADJU	096406-0090		1C				T2.04

Parts List

Compo. P/N: 096500-5001

Assy P/N: 096500-5001

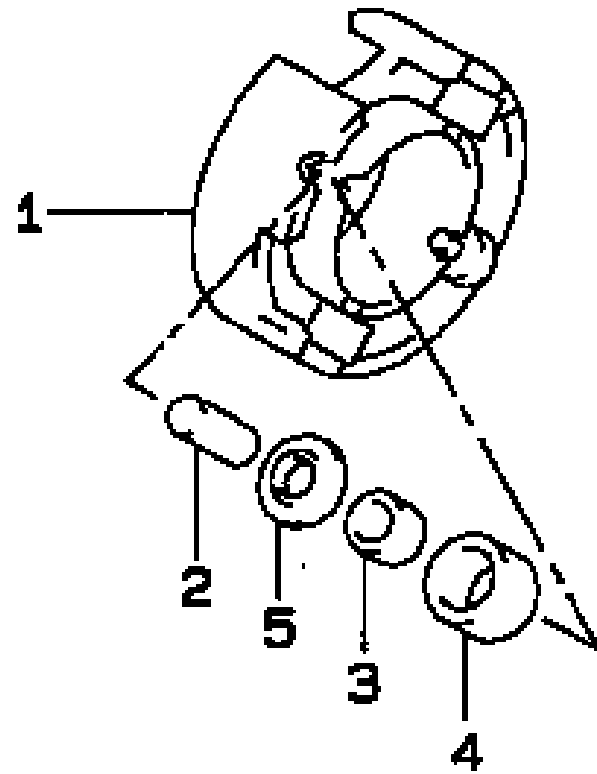
S	M	Illust.No.	Part Name	DENSO P/N	Manu. P/N	QTY	I/C	Start	End	Remarks
		65	SHIM, PLUNGER ADJU	096406-0100		1C				T2.06
		65	SHIM, PLUNGER ADJU	096406-0110		1C				T2.08
		65	SHIM, PLUNGER ADJU	096406-0120	S501 24 113	1C				T2.1
		65	SHIM, PLUNGER ADJU	096406-0130		1C				T2.12
		65	SHIM, PLUNGER ADJU	096406-0140		1C				T2.14
		65	SHIM, PLUNGER ADJU	096406-0150		1C				T2.16
		65	SHIM, PLUNGER ADJU	096406-0160		1C				T2.18
		65	SHIM, PLUNGER ADJU	096406-0170	S501 24 114	1C				T2.2
		65	SHIM, PLUNGER ADJU	096406-0180		1C				T2.22
		65	SHIM, PLUNGER ADJU	096406-0190		1C				T2.24
		65	SHIM, PLUNGER ADJU	096406-0200		1C				T2.26
		65	SHIM, PLUNGER ADJU	096406-0210		1C				T2.28
		65	SHIM, PLUNGER ADJU	096406-0220	S501 24 115	1C				T2.3
		65	SHIM, PLUNGER ADJU	096406-0230		1C				T2.32
		65	SHIM, PLUNGER ADJU	096406-0240		1C				T2.34
		65	SHIM, PLUNGER ADJU	096406-0250		1C				T2.36
		65	SHIM, PLUNGER ADJU	096406-0260		1C				T2.38
		65	SHIM, PLUNGER ADJU	096406-0270	S501 24 116	1C				T2.4
		65	SHIM, PLUNGER ADJU	096406-0280		1C				T2.42
		65	SHIM, PLUNGER ADJU	096406-0290		1C				T2.44
		65	SHIM, PLUNGER ADJU	096406-0300		1C				T2.46
		65	SHIM, PLUNGER ADJU	096406-0310		1C				T2.48
		65	SHIM, PLUNGER ADJU	096406-0320	S501 24 117	1C				T2.5
		65	SHIM, PLUNGER ADJU	096406-0330		1C				T2.52
		65	SHIM, PLUNGER ADJU	096406-0340		1C				T2.54
		65	SHIM, PLUNGER ADJU	096406-0350		1C				T2.56
		65	SHIM, PLUNGER ADJU	096406-0360		1C				T2.58
		65	SHIM, PLUNGER ADJU	096406-0370	S501 24 118	1C				T2.6
		65	SHIM, PLUNGER ADJU	096406-0380		1C				T2.62
		65	SHIM, PLUNGER ADJU	096406-0390		1C				T2.64
		65	SHIM, PLUNGER ADJU	096406-0400		1C				T2.66
		65	SHIM, PLUNGER ADJU	096406-0410		1C				T2.68
		65	SHIM, PLUNGER ADJU	096406-0420	S501 24 119	1C				T2.7
		65	SHIM, PLUNGER ADJU	096406-0430		1C				T2.72
		65	SHIM, PLUNGER ADJU	096406-0440		1C				T2.74
		65	SHIM, PLUNGER ADJU	096406-0450		1C				T2.76
		65	SHIM, PLUNGER ADJU	096406-0460		1C				T2.78
		65	SHIM, PLUNGER ADJU	096406-0470	S501 24 121	1C				T2.8
		65	SHIM, PLUNGER ADJU	096406-0480		1C				T2.82
		65	SHIM, PLUNGER ADJU	096406-0490		1C				T2.84
		65	SHIM, PLUNGER ADJU	096406-0500		1C				T2.86
		65	SHIM, PLUNGER ADJU	096406-0510		1C				T2.88
		65	SHIM, PLUNGER ADJU	096406-0520	S501 24 122	1C				T2.9
		66	BOLT, DISTRIBUTIVE	098076-0040		02				M5,L22
		68	KEY, WOODRUFF	949130-0300		01				T4.023
		69	SPRING, TIMER, OUT	096208-1620		01				K1.3
		71	VALVE ASSY, TIMING	096360-0321		01		0112		TCV

Parts List

Compo. P/N: 096500-5001

Assy P/N: 096500-5001

S	M	Illust.No.	Part Name	DENSO P/N	Manu. P/N	QTY	I/C	Start	End	Remarks
		71	VALVE ASSY, TIMING	096360-0620		01	B	0201		TCV
		71-1	O-RING	096049-0530		01				ID16.7
		71-2	O-RING	096049-0520		01				ID6.8
		73	BOLT, SOCKET	096449-0280		04				M6,L16
		74	WASHER, TIMER SENS	096214-0030	S501 13 TE1	1C				T0.1
		74	WASHER, TIMER SENS	096214-0040	4782 13 TE1	1C				T0.2
		74	WASHER, TIMER SENS	096214-0050	4782 13 TE2	1C				T0.5
		74	WASHER, TIMER SENS	096214-0060	4782 13 TE3	1C				T0.6
		74	WASHER, TIMER SENS	096214-0070	4782 13 TE4	1C				T0.7
		74	WASHER, TIMER SENS	096214-0080	4782 13 TE5	1C				T0.8
		74	WASHER, TIMER SENS	096214-0090	4782 13 TE6	1C				T0.9
		74	WASHER, TIMER SENS	096214-0100	4782 13 TE7	1C				T1.0
S		80	FILTER, SUB-ASSY	096530-0111		01				
		81	O-RING	096049-0460		01				ID6.5
		84	BRACKET SUB-ASSY,	096471-1090	RF2A 13 V03	01				
		85	BRACKET SUB-ASSY,	096471-1130	RF2A 13 VW1	01				
		86	IC, CUSTOM	131700-0011		01				P-ROM



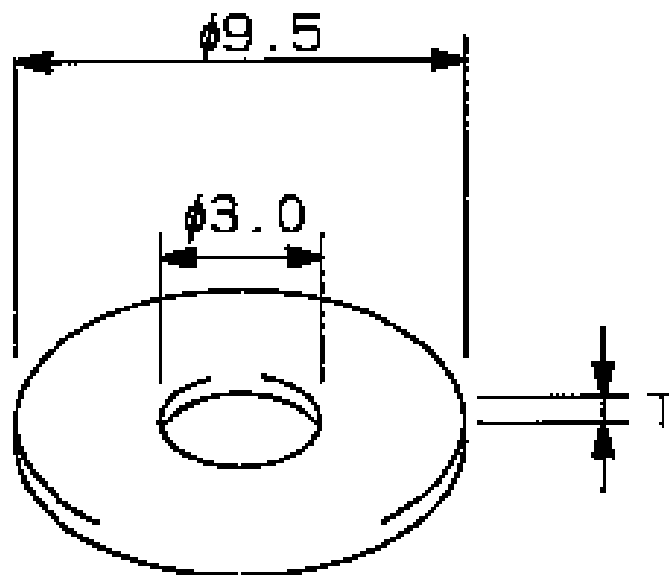
PG0010

Parts List

Compo. P/N: 096180-0300

Assy P/N: 096500-5001

S	M	Illust.No.	Part Name	DENSO P/N	Manu. P/N	QTY	I/C	Start	End	Remarks
S		0	RING SUB-ASSY, ROL	096180-0300		01				
		1	RING, ROLLER	096181-0240		01				
S		2	PIN, ROLLER	096184-0020		04				
S		3	BUSH, ROLLER	096185-0050		04				
S		4	ROLLER	096187-0030		04			9911	
S		4	ROLLER	096187-0050		04	B	9912		FOUR CHANGE B
S		5	PLATE, ROLLER	096189-0020		04				



厚さ“T”は備考欄を参照
Refer to remarks in the parts
list for thickness information.

FP0301

Parts List

Compo. P/N: 096406-0020

Assy P/N: 096500-5001

S	M	Illust.No.	Part Name	DENSO P/N	Manu. P/N	QTY	I/C	Start	End	Remarks
		0	SHIM, PLUNGER ADJU	096406-0000		01				DUMMY
		190	SHIM, PLUNGER ADJU	096406-0020	S501 24 111	01				T1.9(*1)
		191	SHIM, PLUNGER ADJU	096406-0590		01				T1.91
		192	SHIM, PLUNGER ADJU	096406-0030		01				T1.92
		193	SHIM, PLUNGER ADJU	096406-0600		01				T1.93
		194	SHIM, PLUNGER ADJU	096406-0040		01				T1.94
		195	SHIM, PLUNGER ADJU	096406-0610		01				T1.95
		196	SHIM, PLUNGER ADJU	096406-0050		01				T1.96
		197	SHIM, PLUNGER ADJU	096406-0620		01				T1.97
		198	SHIM, PLUNGER ADJU	096406-0060		01				T1.98
		199	SHIM, PLUNGER ADJU	096406-0630		01				T1.99
		200	SHIM, PLUNGER ADJU	096406-0070	S501 24 112	01				T2.0
		201	SHIM, PLUNGER ADJU	096406-0640		01				T2.01
		202	SHIM, PLUNGER ADJU	096406-0080		01				T2.02
		203	SHIM, PLUNGER ADJU	096406-0650		01				T2.03
		204	SHIM, PLUNGER ADJU	096406-0090		01				T2.04
		205	SHIM, PLUNGER ADJU	096406-0660		01				T2.05
		206	SHIM, PLUNGER ADJU	096406-0100		01				T2.06
		207	SHIM, PLUNGER ADJU	096406-0670		01				T2.07
		208	SHIM, PLUNGER ADJU	096406-0110		01				T2.08
		209	SHIM, PLUNGER ADJU	096406-0680		01				T2.09
		210	SHIM, PLUNGER ADJU	096406-0120	S501 24 113	01				T2.1
		211	SHIM, PLUNGER ADJU	096406-0690		01				T2.11
		212	SHIM, PLUNGER ADJU	096406-0130		01				T2.12
		213	SHIM, PLUNGER ADJU	096406-0700		01				T2.13
		214	SHIM, PLUNGER ADJU	096406-0140		01				T2.14
		215	SHIM, PLUNGER ADJU	096406-0710		01				T2.15
		216	SHIM, PLUNGER ADJU	096406-0150		01				T2.16
		217	SHIM, PLUNGER ADJU	096406-0720		01				T2.17
		218	SHIM, PLUNGER ADJU	096406-0160		01				T2.18
		219	SHIM, PLUNGER ADJU	096406-0730		01				T2.19
		220	SHIM, PLUNGER ADJU	096406-0170	S501 24 114	01				T2.2
		221	SHIM, PLUNGER ADJU	096406-0740		01				T2.21
		222	SHIM, PLUNGER ADJU	096406-0180		01				T2.22
		223	SHIM, PLUNGER ADJU	096406-0750		01				T2.23
		224	SHIM, PLUNGER ADJU	096406-0190		01				T2.24
		225	SHIM, PLUNGER ADJU	096406-0760		01				T2.25
		226	SHIM, PLUNGER ADJU	096406-0200		01				T2.26
		227	SHIM, PLUNGER ADJU	096406-0770		01				T2.27
		228	SHIM, PLUNGER ADJU	096406-0210		01				T2.28
		229	SHIM, PLUNGER ADJU	096406-0780		01				T2.29
		230	SHIM, PLUNGER ADJU	096406-0220	S501 24 115	01				T2.3
		231	SHIM, PLUNGER ADJU	096406-0790		01				T2.31
		232	SHIM, PLUNGER ADJU	096406-0230		01				T2.32
		233	SHIM, PLUNGER ADJU	096406-0800		01				T2.33
		234	SHIM, PLUNGER ADJU	096406-0240		01				T2.34
		235	SHIM, PLUNGER ADJU	096406-0810		01				T2.35

Parts List

Compo. P/N: 096406-0020

Assy P/N: 096500-5001

S	M	Illust.No.	Part Name	DENSO P/N	Manu. P/N	QTY	I/C	Start	End	Remarks
		236	SHIM, PLUNGER ADJU	096406-0250		01				T2.36
		237	SHIM, PLUNGER ADJU	096406-0820		01				T2.37
		238	SHIM, PLUNGER ADJU	096406-0260		01				T2.38
		239	SHIM, PLUNGER ADJU	096406-0830		01				T2.39
		240	SHIM, PLUNGER ADJU	096406-0270	S501 24 116	01				T2.4
		241	SHIM, PLUNGER ADJU	096406-0840		01				T2.41
		242	SHIM, PLUNGER ADJU	096406-0280		01				T2.42
		243	SHIM, PLUNGER ADJU	096406-0850		01				T2.43
		244	SHIM, PLUNGER ADJU	096406-0290		01				T2.44
		245	SHIM, PLUNGER ADJU	096406-0860		01				T2.45
		246	SHIM, PLUNGER ADJU	096406-0300		01				T2.46
		247	SHIM, PLUNGER ADJU	096406-0870		01				T2.47
		248	SHIM, PLUNGER ADJU	096406-0310		01				T2.48
		249	SHIM, PLUNGER ADJU	096406-0880		01				T2.49
		250	SHIM, PLUNGER ADJU	096406-0320	S501 24 117	01				T2.5
		251	SHIM, PLUNGER ADJU	096406-0890		01				T2.51
		252	SHIM, PLUNGER ADJU	096406-0330		01				T2.52
		253	SHIM, PLUNGER ADJU	096406-0900		01				T2.53
		254	SHIM, PLUNGER ADJU	096406-0340		01				T2.54
		255	SHIM, PLUNGER ADJU	096406-0910		01				T2.55
		256	SHIM, PLUNGER ADJU	096406-0350		01				T2.56
		257	SHIM, PLUNGER ADJU	096406-0920		01				T2.57
		258	SHIM, PLUNGER ADJU	096406-0360		01				T2.58
		259	SHIM, PLUNGER ADJU	096406-0930		01				T2.59
		260	SHIM, PLUNGER ADJU	096406-0370	S501 24 118	01				T2.6
		261	SHIM, PLUNGER ADJU	096406-0940		01				T2.61
		262	SHIM, PLUNGER ADJU	096406-0380		01				T2.62
		263	SHIM, PLUNGER ADJU	096406-0950		01				T2.63
		264	SHIM, PLUNGER ADJU	096406-0390		01				T2.64
		265	SHIM, PLUNGER ADJU	096406-0960		01				T2.65
		266	SHIM, PLUNGER ADJU	096406-0400		01				T2.66
		267	SHIM, PLUNGER ADJU	096406-0970		01				T2.67
		268	SHIM, PLUNGER ADJU	096406-0410		01				T2.68
		269	SHIM, PLUNGER ADJU	096406-0980		01				T2.69
		270	SHIM, PLUNGER ADJU	096406-0420	S501 24 119	01				T2.7
		271	SHIM, PLUNGER ADJU	096406-0990		01				T2.71
		272	SHIM, PLUNGER ADJU	096406-0430		01				T2.72
		273	SHIM, PLUNGER ADJU	096406-1000		01				T2.73
		274	SHIM, PLUNGER ADJU	096406-0440		01				T2.74
		275	SHIM, PLUNGER ADJU	096406-1010		01				T2.75
		276	SHIM, PLUNGER ADJU	096406-0450		01				T2.76
		277	SHIM, PLUNGER ADJU	096406-1020		01				T2.77
		278	SHIM, PLUNGER ADJU	096406-0460		01				T2.78
		279	SHIM, PLUNGER ADJU	096406-1030		01				T2.79
		280	SHIM, PLUNGER ADJU	096406-0470	S501 24 121	01				T2.8
		281	SHIM, PLUNGER ADJU	096406-1040		01				T2.81
		282	SHIM, PLUNGER ADJU	096406-0480		01				T2.82

Parts List

Compo. P/N: 096406-0020

Assy P/N: 096500-5001

S	M	Illust.No.	Part Name	DENSO P/N	Manu. P/N	QTY	I/C	Start	End	Remarks
		283	SHIM, PLUNGER ADJU	096406-1050		01				T2.83
		284	SHIM, PLUNGER ADJU	096406-0490		01				T2.84
		285	SHIM, PLUNGER ADJU	096406-1060		01				T2.85
		286	SHIM, PLUNGER ADJU	096406-0500		01				T2.86
		287	SHIM, PLUNGER ADJU	096406-1070		01				T2.87
		288	SHIM, PLUNGER ADJU	096406-0510		01				T2.88
		289	SHIM, PLUNGER ADJU	096406-1080		01				T2.89
		290	SHIM, PLUNGER ADJU	096406-0520	S501 24 122	01				T2.9
		291	SHIM, PLUNGER ADJU	096406-1090		01				T2.91
		292	SHIM, PLUNGER ADJU	096406-1100		01				T2.92
		293	SHIM, PLUNGER ADJU	096406-1110		01				T2.93
		294	SHIM, PLUNGER ADJU	096406-1120		01				T2.94
		295	SHIM, PLUNGER ADJU	096406-0530		01				T2.95
		296	SHIM, PLUNGER ADJU	096406-1130		01				T2.96
		297	SHIM, PLUNGER ADJU	096406-1140		01				T2.97
		298	SHIM, PLUNGER ADJU	096406-1150		01				T2.98
		299	SHIM, PLUNGER ADJU	096406-1160		01				T2.99
		300	SHIM, PLUNGER ADJU	096406-0540		01				T3.0
		301	SHIM, PLUNGER ADJU	096406-1170		01				T3.01
		302	SHIM, PLUNGER ADJU	096406-1180		01				T3.02
		303	SHIM, PLUNGER ADJU	096406-1190		01				T3.03
		304	SHIM, PLUNGER ADJU	096406-1200		01				T3.04
		305	SHIM, PLUNGER ADJU	096406-0550		01				T3.05
		306	SHIM, PLUNGER ADJU	096406-1210		01				T3.06
		307	SHIM, PLUNGER ADJU	096406-1220		01				T3.07
		308	SHIM, PLUNGER ADJU	096406-1230		01				T3.08
		309	SHIM, PLUNGER ADJU	096406-1240		01				T3.09
		310	SHIM, PLUNGER ADJU	096406-0560		01				T3.1
		311	SHIM, PLUNGER ADJU	096406-1250		01				T3.11
		312	SHIM, PLUNGER ADJU	096406-1260		01				T3.12
		313	SHIM, PLUNGER ADJU	096406-1270		01				T3.13
		314	SHIM, PLUNGER ADJU	096406-1280		01				T3.14
		315	SHIM, PLUNGER ADJU	096406-0570		01				T3.15
		316	SHIM, PLUNGER ADJU	096406-1290		01				T3.16
		317	SHIM, PLUNGER ADJU	096406-1300		01				T3.17
		318	SHIM, PLUNGER ADJU	096406-1310		01				T3.18
		319	SHIM, PLUNGER ADJU	096406-1320		01				T3.19
		320	SHIM, PLUNGER ADJU	096406-0580		01				T3.2

INJECTION PUMP TEST SPECIFICATIONS

Injection Pump	096500-5001 (VE4/11E2200LND500)	Manufacturer	MAZDA
Governor Type	Electronic control	Vehicle Model	626 / 323
Timer	Electronic control	Engine Type	RF-TDI
Rotation	Clockwise viewed from drive side	Rated Voltage	14 V
Injection Order	A - B - C - D	Dimension KF (mm)	7.5 ± 0.1
Injection Interval	90°	Dimension K (mm)	3.9 ± 0.1
Pump Select Switch No. (ECD Controller)	1		

1. TEST CONDITIONS

1) Nozzle	093400-7110 (DLLA0P711)	4) Feed Pressure	0.2 kg/cm ²
2) Nozzle Opening Pressure	175 ± 2 kg/cm ²	5) High Pressure Pipe	Ø1.8 X Ø6 X 840 mm
3) Test Oil	SAE J967 (ISO4113)	6) Fuel Temperature	40 - 43 °C (104 - 109.4 °F)

2. FUEL CUT VALVE CHECK (Power source : Over 12 V, Over 3.0 A)

Pump Speed (rpm)	Condition		Check point	Remarks	Time to check
	Applied voltage (V)	Applied current (A)			
0	13.0 ± 0.3	2.9	Operation sounds of SPV and FCV by turn on / off power	—	Fuel cut valve check should be done within 25 seconds
388	13.0 ± 0.3	2.9	Fuel injection	Max. injection quantity under idling	
388	0	2.9	Instant stop of fuel injection	Stop pump with SPV turn off after checking instant stop of fuel injection	

3. INSPECTION OF Ne SENSOR

Pump Speed (rpm)	ECD CONTROLLER SETTING				Sensor Output Voltage (V)	Remarks
	Display Selector	Injection Quantity Command	Duty Ratio Command	Pump Select Switch		
50	Np	B40	—	REC OFF	0.1 or more	

4. INSPECTION OF FUEL TEMPERATURE SENSOR

Pump Speed (rpm)	ECD CONTROLLER SETTING				Sensor Resistance (kΩ)	Remarks
	Display Selector	Injection Quantity Command	Duty Ratio Command	Pump Select Switch		
—	Fuel Temperature	—	—	REC OFF	1.85 ± 1.5	

5. BREAK-IN DRIVE

Pump Speed (rpm)	ECD CONTROLLER SETTING				Condition	Remarks
	Display Selector	Injection Quantity Command	Duty Ratio Command	Pump Select Switch		
1200	SPL	A87	—	REC OFF	No fuel leaks, no abnormal noise, and no abnormal temperature rising.	Drive more than 5 minutes.

6. ADJUSTMENT OF TIMER (Always stop pump when changing the first digit of injection quantity command.)

Pump Speed (rpm)	ECD CONTROLLER SETTING				Timer Stroke (mm)	Remarks
	Display Selector	Injection Quantity Command	Duty Ratio Command	Pump Select Switch		
2000	Timer Adjust	000	—	REC OFF	12.3 ± 0.35	Internal Pressure 9.3 ± 0.15 kgf/cm ² Overflow Quantity 750 - 1167 cc/min
1250	Timer Adjust	100	—	REC OFF	12.3 ± 0.35	Internal Pressure 7.7 ± 1.1 kgf/cm ² Shim adjustment
		200	—	REC OFF	4.5 ± 3.0	
		300	—	REC OFF	0	
200	Timer Adjust	400	—	REC OFF	3.6 or more	
100	Timer Adjust	500	—	REC OFF	0.1 or more	

7. ADJUSTMENT OF FUEL DELIVERY (When the correction value is raised by 1 level, the injection quantity is increased approx. 0.04 - 0.06 cc/200st.)

Pump Speed (rpm)	ECD CONTROLLER SETTING				Target Quantity [ND - CPS] (cc/200st.cyl.)	Target Quantity [AVM - 10] (cc/200st.cyl.)	Max. Spread In Delivery (cc)	Guard Value (upper - lower)	Outlet Fuel Temperature (C°)
	Display Selector	※ First Digit	Duty Ratio Command	Pump Select Switch					
200	Q Adjust	0	0	REC OFF	6.86 ± 0.90	7.41 ± 0.90	—	9F6 - 986	42.0 ± 0.5
200	Q Adjust	1	0	REC OFF	16.52 ± 0.64	18.28 ± 0.64	1.4	A5D - 9ED	42.0 ± 0.5
388	Q Adjust	2	0	REC OFF	1.52 ± 0.36	1.75 ± 0.36	0.5	98B - 91B	41.0 ± 1.5
388	Q Adjust	3	0	REC OFF	6.76 ± 0.36	7.13 ± 0.36	—	9F5 - 985	41.0 ± 1.5
500	Q Adjust	4	0	REC OFF	2.08 ± 0.36	2.22 ± 0.36	—	98C - 91C	43.0 ± 1.5
500	Q Adjust	5	0	REC OFF	7.50 ± 0.36	7.73 ± 0.36	0.5	A06 - 996	43.0 ± 1.5
750	Q Adjust	6	0	REC OFF	2.80 ± 0.34	2.81 ± 0.34	—	992 - 922	46.0 ± 1.5
750	Q Adjust	7	0	REC OFF	10.4 ± 0.34	10.65 ± 0.34	0.5	A68 - 9F8	46.0 ± 1.5
1250	Q Adjust	8	0	REC OFF	2.70 ± 0.32	2.79 ± 0.32	—	966 - 8F6	48.0 ± 1.5
1250	Q Adjust	9	0	REC OFF	11.62 ± 0.32	11.83 ± 0.32	0.5	AB7 - A47	50.0 ± 1.5
2000	Q Adjust	A	0	REC OFF	2.62 ± 0.36	2.70 ± 0.36	—	922 - 8B2	55.0 ± 1.5
2000	Q Adjust	B	0	REC OFF	10.90 ± 0.36	11.07 ± 0.36	0.5	AC1 - A51	59.0 ± 1.5

NOTE : Select "REC ON" position every time when fixing the final correction value at each point.

※ First Digit : First digit (The leftest of 3 digits) of "Injection Quantity Command Value" input switch.

8. PRESETTING FOR CAM ANGLE ADJUSTMENT

Pump Speed (rpm)	ECD CONTROLLER SETTING						Target Quantity [ND - CPS] (cc/200st.cyl.)	Target Quantity [AVM - 10] (cc/200st.cyl.)	Remarks
	Display Selector	Injection Quantity Command			Duty Ratio Command	Pump Select Switch			
		First digit	Second digit	Third digit					
0	SPV OFF	9	8	F	100	REC OFF	—	—	
388	SPL	9	8	F	100	REC OFF	3.78 ± 0.20	4.06 ± 0.20	
388	SPV OFF	9	<input type="checkbox"/>	<input type="checkbox"/>	100	REC OFF	3.78 ± 0.20	4.06 ± 0.20	Adjust 2nd. and 3rd digits to get "Target Quantity", then turn to "REC ON" position
388	SPL	9	<input type="checkbox"/>	<input type="checkbox"/>	100	REC ON	3.78 ± 0.20	4.06 ± 0.20	Re-measurement

※ When the correction value is raised by 1 level, the injection quantity is increased approx. 0.04 - 0.06 cc/200st.

9. ADJUSTMENT OF CAM ANGLE

Pump Speed (rpm)	ECD CONTROLLER SETTING					Target Angle (°CA)	Standard	Remarks	
	Display Selector	Injection Quantity Command			Duty Ratio Command				Pump Select Switch
		First digit	Second digit	Third digit					
388	Cam Angle	0	0	0	100	REC OFF	5.5 ± 0.5	Recorded injection command	
388	Cam Angle	0	<input type="checkbox"/>	<input type="checkbox"/>	100	REC OFF	—	—	

NOTE : Select "REC ON" position every time when recording the final correction value.
: Never forget removing pressure sensor from piping.

10. RECONFIRMATION OF FUEL DELIVERY

Pump Speed (rpm)	ECD CONTROLLER SETTING				Target Quantity [ND - CPS] (cc/200st-cyl.)	Target Quantity [AVM - 10] (cc/200st-cyl.)	Max. Spread In Delivery (cc)	Guard Value (upper - lower)	Outlet Fuel Temperature (C°)
	Display Selector	* First Digit	Duty Ratio Command	Pump Select Switch					
200	Confirm	0	0	REC OFF	6.86 ± 0.90	7.41 ± 0.90	—	9F6 - 986	42.0 ± 0.5
200	Confirm	1	0	REC OFF	16.52 ± 0.64	18.28 ± 0.64	1.4	A5D - 9ED	42.0 ± 0.5
388	Confirm	2	0	REC OFF	1.52 ± 0.36	1.75 ± 0.36	0.5	98B - 91B	41.0 ± 1.5
388	Confirm	3	0	REC OFF	6.76 ± 0.36	7.13 ± 0.36	—	9F5 - 985	41.0 ± 1.5
500	Confirm	4	0	REC OFF	2.08 ± 0.36	2.22 ± 0.36	—	98C - 91C	43.0 ± 1.5
500	Confirm	5	0	REC OFF	7.50 ± 0.36	7.73 ± 0.36	0.5	A06 - 996	43.0 ± 1.5
750	Confirm	6	0	REC OFF	2.80 ± 0.34	2.81 ± 0.34	—	992 - 922	46.0 ± 1.5
750	Confirm	7	0	REC OFF	10.4 ± 0.34	10.65 ± 0.34	0.5	A68 - 9F8	46.0 ± 1.5
1250	Confirm	8	0	REC OFF	2.70 ± 0.32	2.79 ± 0.32	—	966 - 8F6	48.0 ± 1.5
1250	Confirm	9	0	REC OFF	11.62 ± 0.32	11.83 ± 0.32	0.5	AB7 - A47	50.0 ± 1.5
2000	Confirm	A	0	REC OFF	2.62 ± 0.36	2.70 ± 0.36	—	922 - 8B2	55.0 ± 1.5
2000	Confirm	B	0	REC OFF	10.90 ± 0.36	11.07 ± 0.36	0.5	AC1 - A51	59.0 ± 1.5

11. CHECK POINT

Pump Speed (rpm)	ECD CONTROLLER SETTING				Injection Quantity [ND - CPS] (cc/200st-cyl.)	Injection Quantity [AVM - 10] (cc/200st-cyl.)	Outlet Fuel Temperature (C°)
	Display Selector	Injection Quantity Command	Duty Ratio Command	Pump Select Switch			
600	Confirm	C00	—	REC OFF	6.46 ± 0.50	6.60 ± 0.50	43.0 ± 1.5
2300	Confirm	D00	—	REC OFF	1.20 or less	1.20 or less	63.0 ± 4.0
2550	Confirm	E00	—	REC OFF	3.64 ± 1.00	3.64 ± 1.00	67.0 ± 5.0

Timing mark re-marking position : Based on cylinder A , cam lift distance (plunger) should be 3.13 mm