



One Step Further



Ground Carriage PULLY

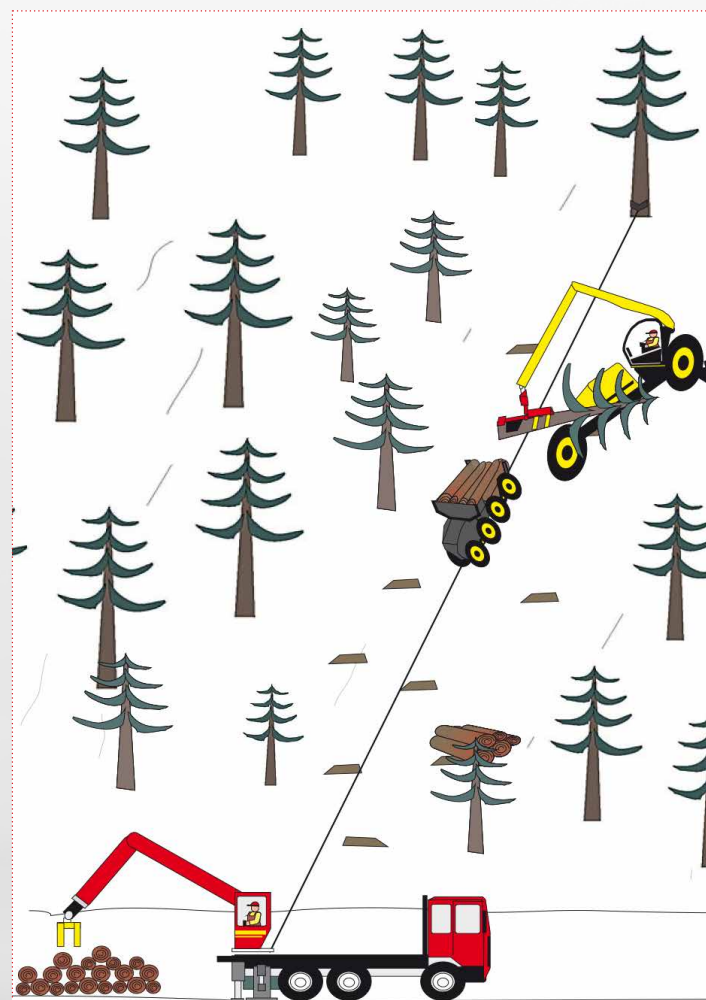
Next Generation Carrier

1

Ground Carriage for all Cases

PULLY in Combination with a Harvester

The Harvester fells the timber, and loads it at the same time on to the ground carriage **PULLY**. The machine is unloaded at the forest road from a second operator. The ground carriage is driving between the loading and unloading points in the automatic modus. The **PULLY** is transported with the truck with the crane, on which also the winch for the cable is fitted.



Alternative Applications on Customer Request



The ground carriage **PULLY** is characterized by short assembly times, possibility of use in swamps, a broad spectrum of use, terrain independence and simple handling.

The transport of the carriage is done with a crane mounted truck, on which also the tension winch for the cable is fitted. The setting up is done very fast and easy:

The **PULLY** is turned with the loading ramps and the crane into the work line. The cable is pulled out, fixed and tight up.



Technical Data

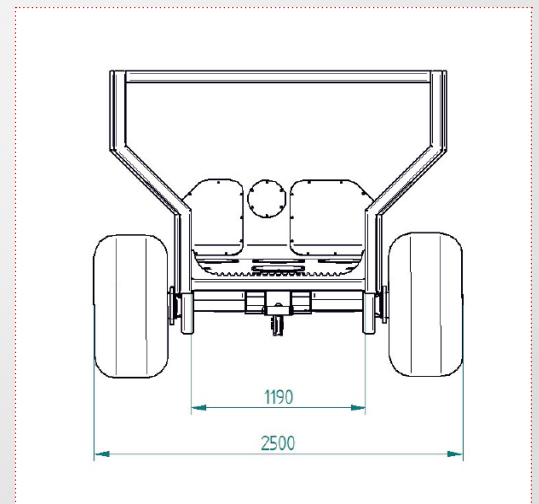
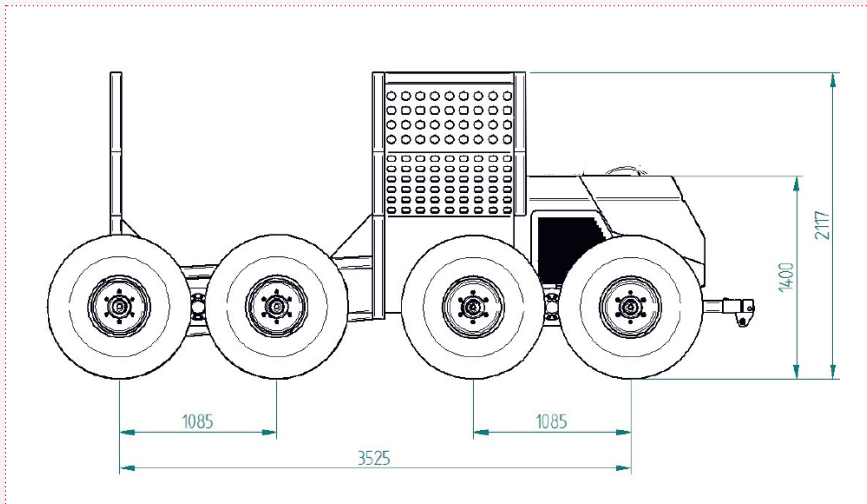
that convince

Ground Carriage PULLY

Cable	D 18 mm
Engine	IVECO 140 HP
Weight	3.950 kg
Driving speed	3 m / sec
Necessary tension	50 - 80 kN
Carriage / remote control	KONRAD

Advantages

- Short rigging time
- No fitting of supports
- Independent in the terrain
- Low cable tension
- **Possible use in swamps**
- All remote controlled
- No special knowledge required
- High loading capacity
- Automatic distance drive
- Broad spectrum of use



Konrad Forsttechnik GmbH

A 9451 Preitenegg
Oberpreitenegg 52

Tel.: +43(0)4354 2432-0
Fax: +43(0)4354 2432-35
e-Mail: office@forsttechnik.at
Web: www.forsttechnik.at

A
KÄRNTEN
EXPORT



Innovations- und
Forschungspreis
Kärnten, Österreich


KONRAD