

Bostrom®

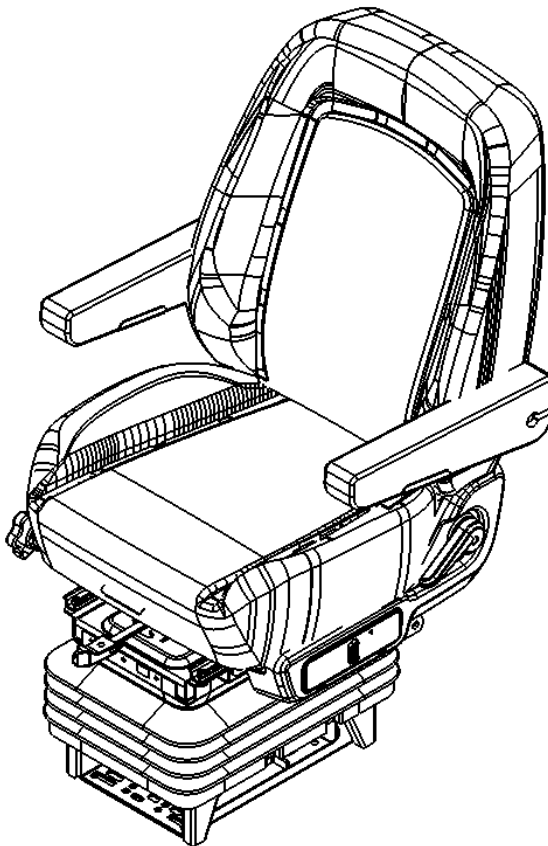
S E A T I N G

BOSTROM PRO RIDE™

(OPTIONAL) AIR LUMBAR, DRIVER / PASSENGER SWIVEL, DUAL ARMRESTS,
ADJUSTABLE ARMREST, ACCORDION SUSPENSION COVER / BELLOW

OPERATION AND SERVICE PARTS MANUAL

This seat conforms to
FMVSS 207 and 302 in effect
on the date of manufacture



Mid Back Frame with Mechanical Lumbar

CATALOG NO.
1204562 - 001
REV D

OPERATION WARNING

WARNING

SERIOUS INJURY MAY OCCUR IF HEAD CLEARANCE IS NOT ADEQUATE. BEFORE DRIVING OR RIDING IN VEHICLE, ENSURE THAT THERE IS ADEQUATE HEAD CLEARANCE AT THE MAXIMUM UPWARD TRAVEL OF SEAT. SEE OPERATION MANUAL.

To check for adequate head clearance, sit in the seat and slowly raise it to its maximum upward position (See Comfort Adjustments).

SEAT BELTS SHOULD BE WORN AT ALL TIMES WHEN OPERATING THE VEHICLE.

Federal Motor Vehicle Safety Standard

This seat conforms to Federal Motor Vehicle Safety Standards (FMVSS) 207 and 302 in effect on the date of manufacture.

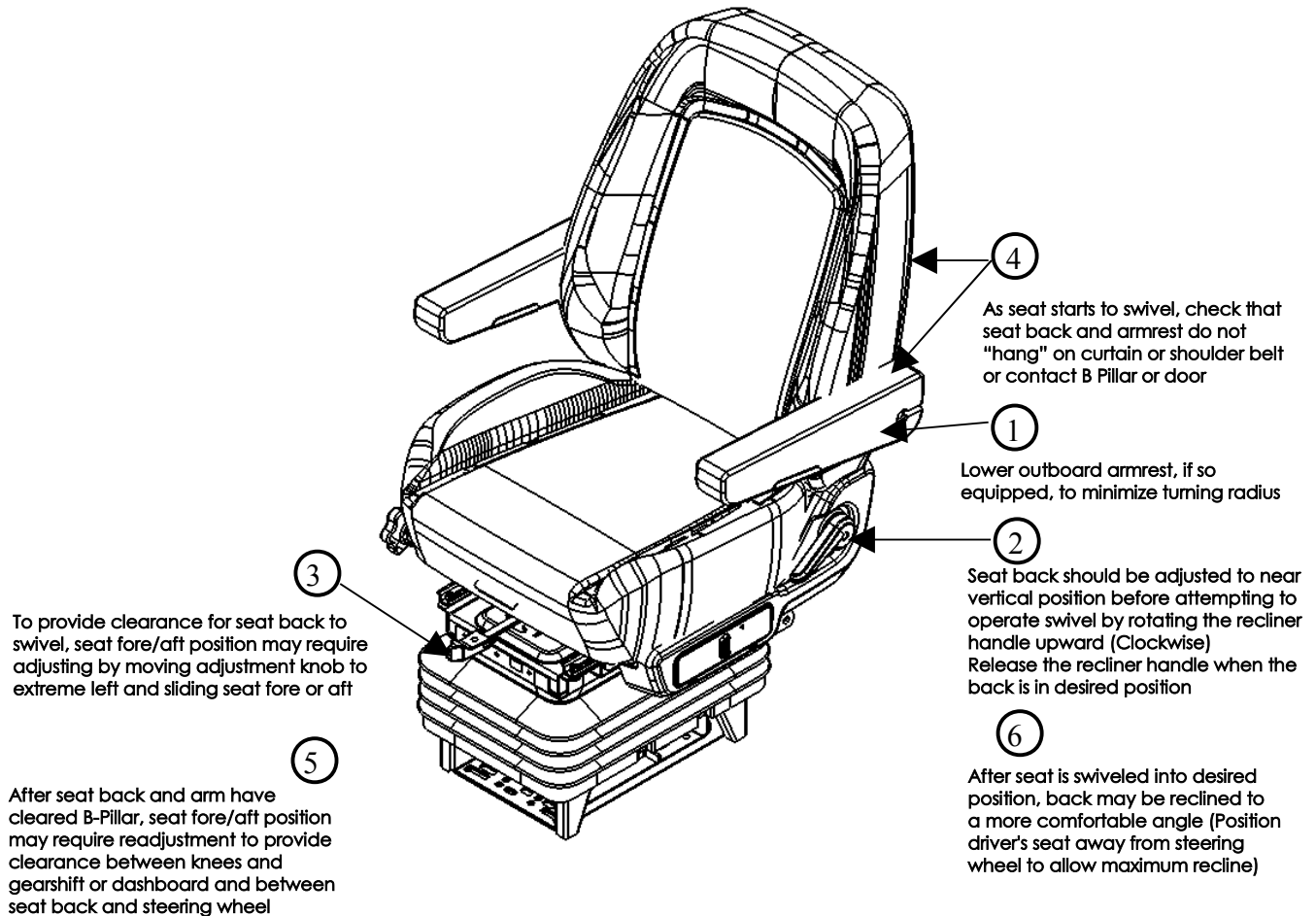
It is the responsibility of the installer to ensure that the proper seat fastening hardware and seat belt anchorages (seat belt and tether belt system) are used in accordance with FMVSS 209 and 210.

To achieve compliance with FMVSS 207, use only high-strength fasteners and heavy-duty washers, or high-strength flange head bolts when installing the seat assembly.

BOSTROM PRO RIDE SEAT

SEAT SWIVEL OPERATION

▲ WARNING THE SWIVEL FEATURE OF THIS SEAT IS INTENDED SOLELY FOR OPERATION WHEN THE VEHICLE IS NOT IN MOTION. WHEN THE VEHICLE IS MOVING, THE SEAT MUST BE LOCKED IN THE FORWARD FACING POSITION AND THE SEAT BELT WORN FOR MAXIMUM OCCUPANT SAFETY.



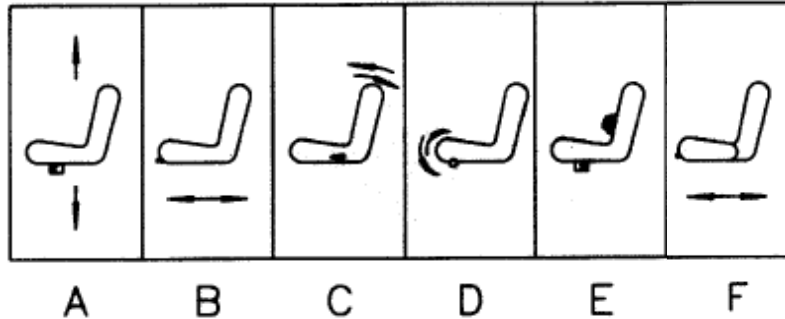
SWIVEL OPERATION SEQUENCE SUMMARY

(SEE DETAILS ABOVE)

- ① OUTBOARD ARMREST DOWN
- ② BACK NEAR VERTICAL POSITION
- ③ ADJUST FORE/AFT AS REQUIRED
- ④ CHECK ARM AND BACK CLEARANCE
- ⑤ ⑥ READJUST SEAT AND BACK AS DESIRED

COMFORT ADJUSTMENTS

After installation the following comfort adjustments can be made to ensure the best performance.



B - FORE AND AFT SEAT POSITION ADJUSTMENT /OR FORE AND AFT ISOLATION

Hold lever to left to adjust seat position forward or backward. Isolation is provided when lever is in center (straight forward) position. To lock out, move lever to right.

C - BACK ANGLE ADJUSTMENT

Lean forward slightly to remove pressure from seat back, pull handle upward to adjust to any position within range.

F - CUSHION EXTENSION

To adjust seat cushion fore and aft, lift the handle upward and pull or push seat cushion to desired position.

E - OPTIONAL AIR LUMBAR ADJUSTMENT (UPPER AND LOWER)

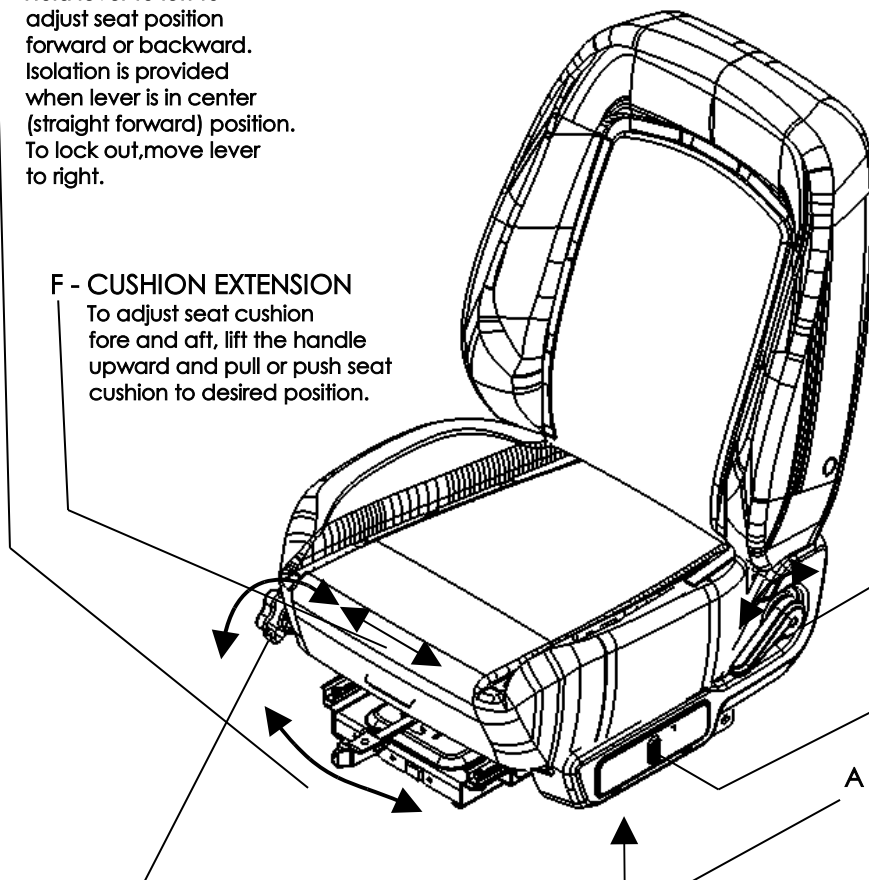
To increase lumbar support press control valve forward. To decrease lumbar support press control valve rearward.

D - SEAT CUSHION TILT ADJUSTMENT

Rotate seat tilt knob to decrease or increase seat tilt.

A - WEIGHT AND HEIGHT ADJUSTMENT

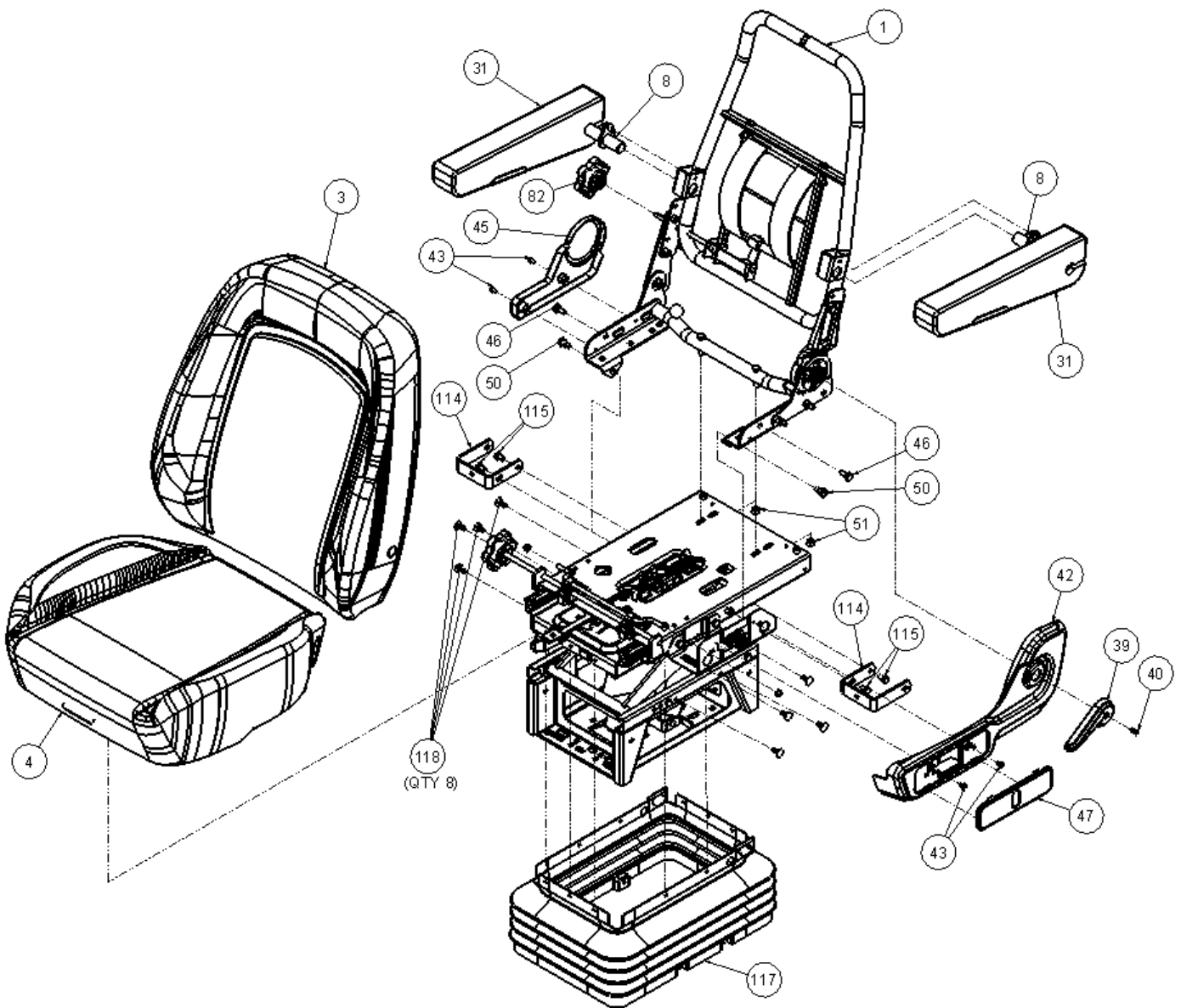
To raise seat, push the air valve lever upwards. To lower seat, push the air valve lever downwards. When adjusted properly and under normal driving conditions, the seat should not top nor bottom against the end limits of the vertical travel. Adjusted height position should aide driver's visibility and vehicle control.



ILLUSTRATED PARTS BREAKDOWN

SUSPENSION WITH HEAVY DUTY DAMPER AND UPPER WITH MECHANICAL LUMBAR

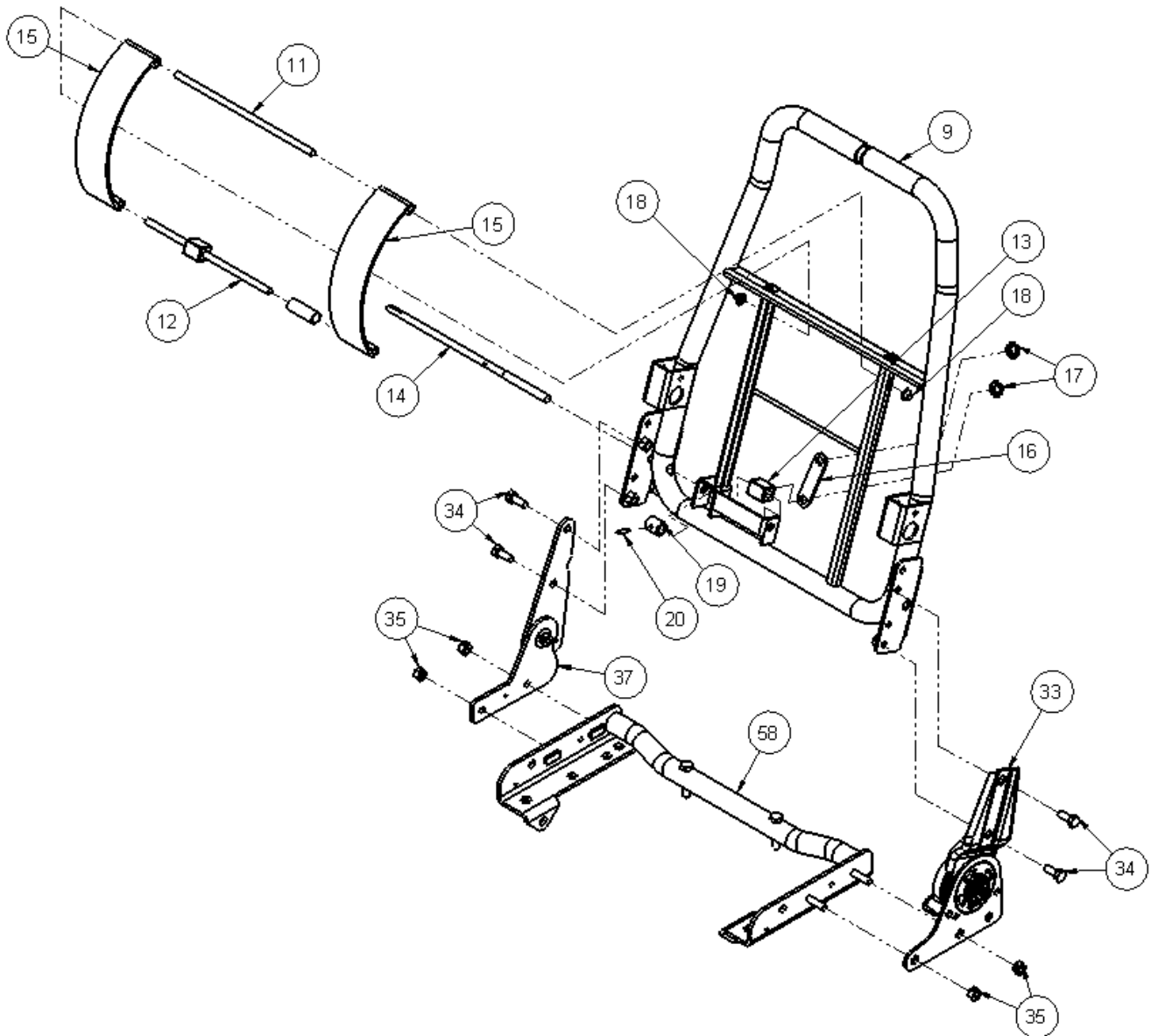
ITEM(S)	TORQUE SPECIFICATION
40	$2.8 \pm 0.28 \text{ Nm} / 25.0 \pm 2.5 \text{ IN LB}$
43	$429.3 \pm 79.0 \text{ N-cm} / 38.0 \pm 7.0 \text{ IN LB}$
46	$52.0 \pm 5.0 \text{ Nm} / 38.0 \pm 4.0 \text{ LB FT}$
50, 51, 115	$27.0 \pm 2.0 \text{ Nm} / 20.0 \pm 2.0 \text{ LB FT}$



ILLUSTRATED PARTS BREAKDOWN

FRAME ASSEMBLY WITH MECHANICAL LUMBAR

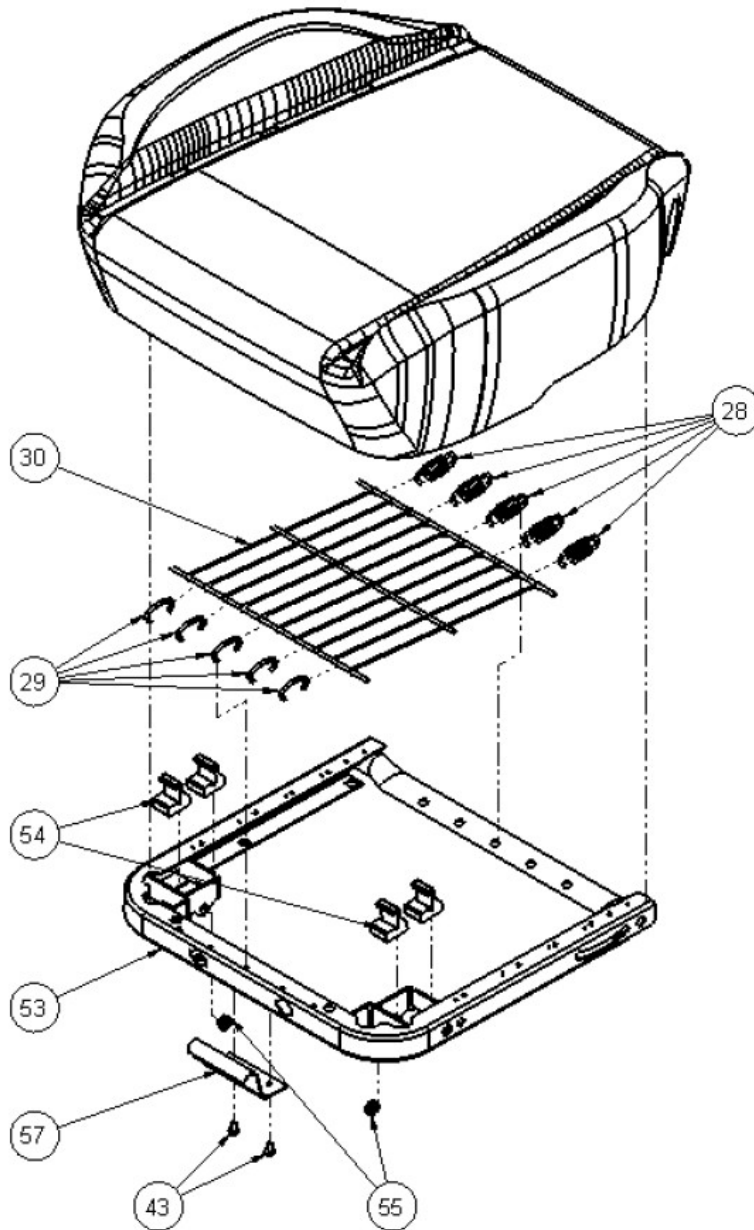
ITEM(S)	TORQUE SPECIFICATION
34	33.0 ± 3.3 Nm/25.0 ± 2.5 LB FT
35	24.0 ± 2.4 Nm/18.0 ± 1.8 LB FT



ILLUSTRATED PARTS BREAKDOWN

ADJUSTABLE SEAT CUSHION FRAME ASSEMBLY

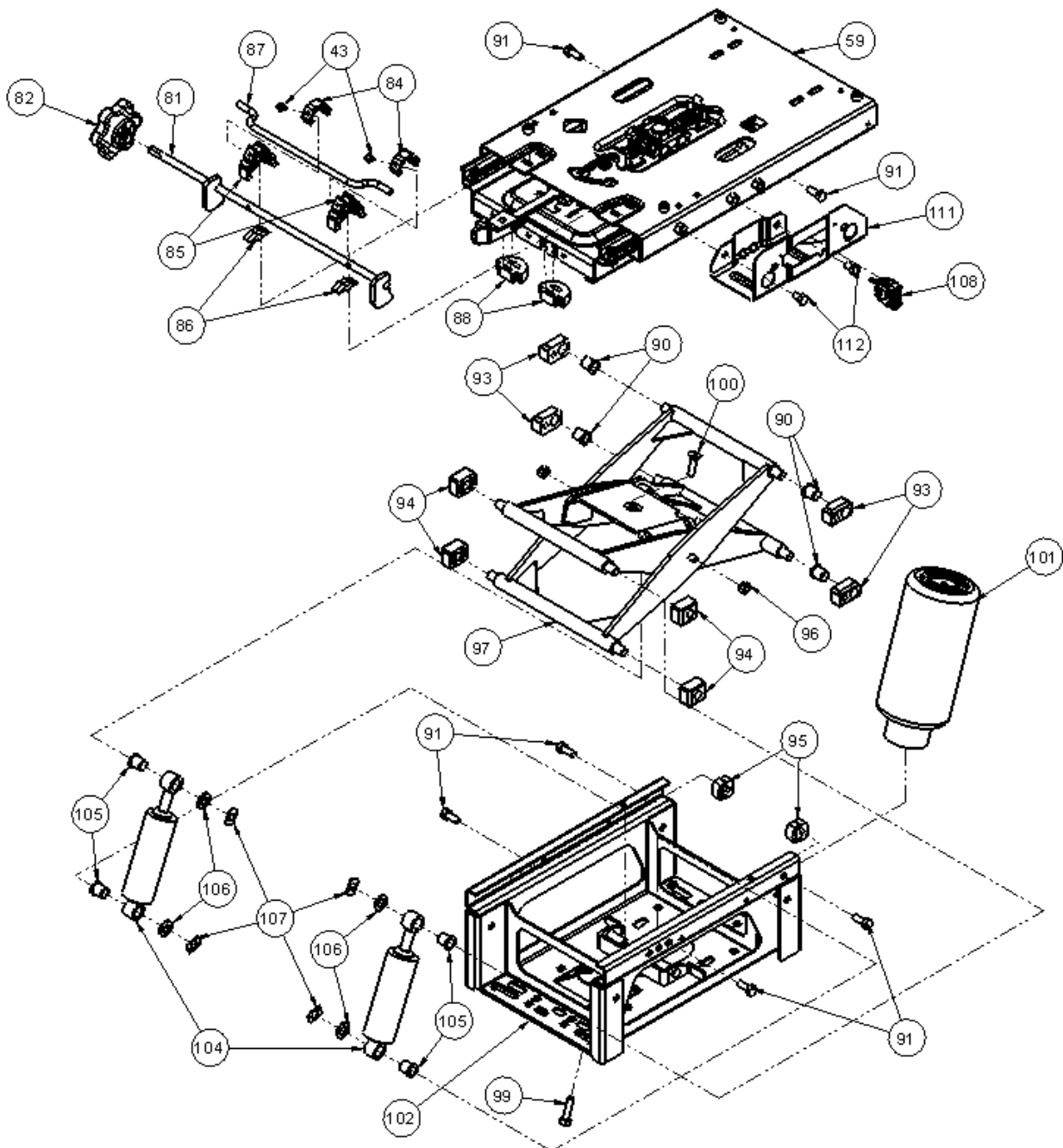
ITEM(S)	TORQUE SPECIFICATION
43	429.3 ± 79.0 N-cm/38.0 ± 7.0 IN LB



ILLUSTRATED PARTS BREAKDOWN

HEAVY DUTY DAMPER AND MECHANICAL LUMBAR MODULE

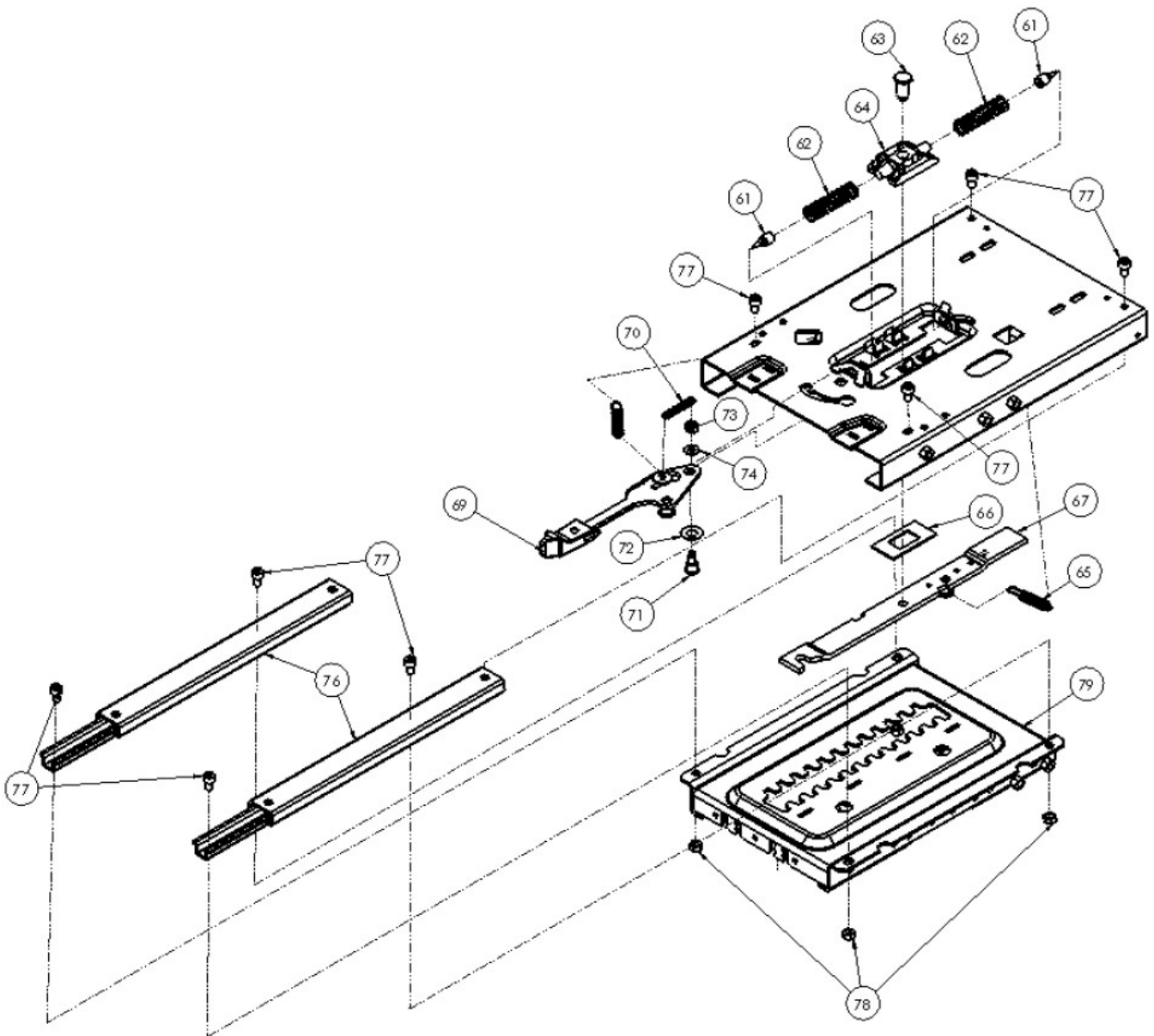
ITEM(S)	TORQUE SPECIFICATION
43	429.3 ± 79.0 N-cm/38.0 ± 7.0 IN LB
91	33.0 ± 3.3 Nm/25.0 ± 2.5 LB FT
99, 100	8.0 ± 1.0 Nm/6.0 ± 1.0 LB FT
112	27.0 ± 2.0 Nm/20.0 ± 2.0 LB FT



ILLUSTRATED PARTS BREAKDOWN

ISOLATOR ASSEMBLY

ITEM(S)	TORQUE SPECIFICATION
63	41.0 ± 5.4 Nm/30.0 ± 4.0 LB FT
73	18.0 ± 1.8 Nm/13.0 ± 1.3 LB FT
77	24.0 ± 2.4 Nm/18.0 ± 1.8 LB FT



PARTS REPLACEMENT LIST HIGH PROFILE / MID BACK SUSPENSION SEAT

ORDERING INSTRUCTIONS: Order by Part Number, NOT Reference Number.

HOW TO USE: Find the corresponding part that you wish to replace on the enlarged view illustration and note its reference number. Refer to list below and record part number, quantity required, and description. Order cover pad kits or armrests by color and material.

ORDER FROM: Your truck dealer or Bostrom Authorized Distributor for your area.

REF NO	PART NO	DESCRIPTION	QTY	REF NO	PART NO	DESCRIPTION	QTY
1	6204559-001	Back Frame Assy-Mid With ParaBar II Lumbar Includes items 1, 11-20, 33-35, 37,46 and 58	1	28	*	Flex-o-lator Spring	5
2	6204558-001	Back Frame Assy-Mid With Air Lumbar (not shown) Includes items 2, 25-26, 33-35, 37, 46, and 58	1	29	*	Flex-o-lator Clip	5
3	6204539-001	Pad Foam Mid Back	1	30	*	Flex-o-lator Support (Grid)	1
4	6204469-001	Pad Seat Foam	1	31	*	Armrest Assembly (Optional) Includes Items 6, 7, and 8	1
5	6222117-001	Armrest Shaft Kit, Includes items 6-8 (optional)	1	32	6204533-001	Recliner Assy., Includes Items 33-35	1
6	6222159-001	Armrest Insert (not shown)	1	33	*	Recliner Assembly	1
7	*	Screw 5/16 x 1/2 hex tap	1	34	*	Screw Cap	2
8	*	Armrest Shaft	1	35	*	Nut Hex M8x1.25 LK CL	2
9	6204281-001	Back Frame Weldment With Para Bar II Lumbar Includes Items 9-20	1	36	6203365-001	Hinge Assy., Includes Items 34, 35, and 37	1
10	6222137-001	Para Bar II Lumbar Kit Includes Items 11-20	1	37	*	Hinge Assembly	1
11	*	Lumbar Support Shaft	1	38	6204484-001	Recliner Handle Kit Includes Items 39 and 40	1
12	*	Lumbar Slide Shaft	1	39	*	Recliner Handle	1
13	*	Lumbar Adj. Block	1	40	*	Screw M6x1.0 Type 1	1
14	*	Lumbar Adj. Shaft	1	41	6204477-001	Side Shield LH, Includes Items 42 and 43	1
15	*	Lumbar Spring	2	42	*	Side Shield LH	1
16	*	Lumbar Linkage	1	43	*	Screw Thread Cut #10.24	3
17	*	Push Nut 3/8"	2	44	6204420-001	Side Shield RH, Includes Items 43, and 45	1
18	*	Push Nut 5/16"	2	45	*	Side Shield RH	1
19	*	Spacer	1	46	6204431-001	Bolt M10 x 1.5 Pivot	2
20	*	Roll Pin	1	47	6204485-001	Bezel Single Gang	1
21	6203406-001	Back Restriction Kit, Includes Items 22-23 (Not Shown)	1	48	6204486-001	Bezel 3 Gang (Not Shown)	1
22	*	Stop Block	1	49	6222007-001	Kit Fastener Seat Mounting, Includes Items 50, and 51	2
23	*	Screw 10-32	1	50	*	Shoulder Bolt	2
24	6204280-001	Back Frame Weldment With Air Lumbar (Not Shown) Includes Items 24-26	1	51	*	Nut M8 x 1.25	2
25	6222141-001	Air Lumbar Bladder (Not Shown)	1	52	6222263-001	Seat Frame Assy., Includes Items 28-30, and 53-55	1
26	62222210-001	Air Lumbar Support Brace (Not Shown)	1	53	*	Seat Frame Weldment	1
27	6222202-001	Foam Support Kit, Includes Items 28-30	1	54	6200408-002	Slide Block	4

PARTS REPLACEMENT LIST HIGH PROFILE / MID BACK SUSPENSION SEAT CONTINUED

REF NO	PART NO	DESCRIPTION	QTY	REF NO	PART NO	DESCRIPTION	QTY
55	*	Bearing Sleeve	2	89	6222076-001	Suspension Hardware Kit Includes Items 90-96	
56	6204433-001	Handle Cushion Ext., Includes Items 43, and 57		90	*	Bearing Multilube	4
57	*	Handle Cushion Ext.	1	91	*	Screw Cap M8x20MM	6
58	6203893-002	Weldment Mtg Seat Frame, Includes Items 46, and 58	1	92	*	Shoulder Bolt (Not Shown)	2
59	6204495-001	Isolator Assy-Non Swivel, Includes Items 61-67, 69-74, and 76-79		93	*	Bearing Block	4
60	6222133-001	Isolator Spring Kit, Includes Items 61-67		94	*	Slide Block	4
61	*	Rubber Bumper	2	95	*	Stop Block Assembly	2
62	*	Isolator Spring	2	96	*	Hex Nut M8x1.25LK	2
63	*	Shoulder Bolt M10 x 1.50	1	97	6204501-001	Lever Assembly	1
64	*	Pivot Block Assy.	1	98	6204494-001	Air Spring Kit, Includes Items 99-101	
65	*	Latch Spring	2	99	*	Screw Cap M8x30MM	1
66	*	Spacer	1	100	*	Screw Cap M8x1.25x25	1
67	*	Latch Bar	1	101	*	Air Spring Assembly	1
68	6222072-001	Control Handle Kit, Includes Items 69-74		102	6204458-001	Riser Assembly	1
69	*	Control Handle Assy.	1	103	6222082-001	Standard Damper Kit, Includes Items 104-107	
70	*	Spring Lock Out	1	104	*	Damper Assy.	1
71	*	Hex Head Shoulder Bolt	1	105	*	Bearing Multilube	2
72	*	Belleville Washer	1	106	*	Washer	2
73	*	Hex Nut M8x1.25LK	1	107	*	Fastener	2
74	*	Washer	1	108	6204503-001	Single Seat Valve	1
75	6222165-001	Slide Rail Kit, Includes Items 76-78		109	6204507-001	3 Gang Seat Valve (Not Shown)	1
76	*	Slide Rail	2	110	6204478-001	Side Shield Attachment Bracket Kit, Includes Items 111-112	
77	*	Screw Socket HD M8x12	8	111	*	Side Shield Attachment Bracket	1
78	*	Hex Nut M8	4	112	*	Hex Head Screw M8x1.25x1.2	2
79	6201570-001	Upper Plate	1	113	6222213-001	ICP Bracket Kit, Includes Items 114-115	
80	6222264-002	Tilt Rod Weldment, Includes Items 81, and 84-86		114	*	ICP Bracket	2
81	*	Tilt Rod Weldment	1	115	*	Screw Cap M8x12MM	4
82	6200413-002	Lumbar / Tilt Rod Knob	1	116	1224460-001	Bellows Suspension Cover (Optional), Includes Items 117-118	
83	6222269-001	Kit Upper / Lower Cush. Ext. Includes Items 43, 84-86		117	*	Suspension Cover	1
84	*	Clip Upper Cush Ext.	2	118	*	Attachment Clips	8
85	*	Clip Lower Cush Ext.	2				
86	*	Clip Tilt Rod	2				
87	6204441-001	Rod Cush. Ext.	1				
88	6204481-001	Rubber Bumper	2				

* EXCEPT AS NOTED, KITS CONTAIN ALL ITEMS DENOTED BY ASTERISK LISTED BELOW EACH KIT PART NUMBER.

** SEE YOUR DEALER OR BOSTROM AUTHORIZED DISTRIBUTOR FOR UPPER, ARMREST, SUSPENSION COVER OR COVER PAD KIT PART NUMBERS APPROPRIATE FOR YOUR SEAT.