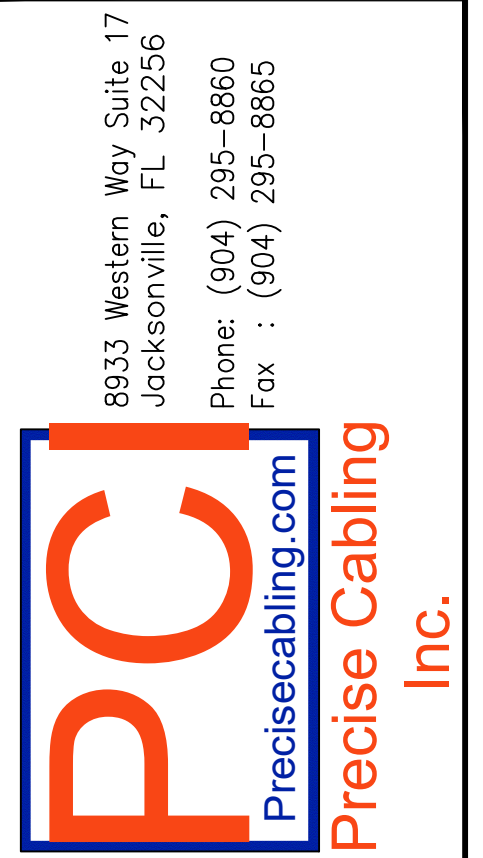


VETERAN'S AFFAIRS - BAY PINES

AUDIO-VISUAL SYSTEMS

VA PAGING SYSTEM UPGRADE

10000 BAY PINES BLVD BAY PINES, FL 33744



VETERAN'S AFFAIRS - BAY PINES
 BAY PINES, FL
 VA PAGING SYSTEM UPGRADE
 COVER PAGE

THIS DRAWING IS THE EXCLUSIVE PROPERTY OF P.C.I. AND WAS PREPARED FOR THE EXCLUSIVE USE OF P.C.I. FOR THE SPECIFIC PROJECT AND LOCATION SHOWN. NO REPRODUCTION, OR DUPLICATION OF THIS DRAWING, IN PART OR WHOLE MAY BE MADE WITHOUT WRITTEN PERMISSION OF P.C.I.

DRAWING NUMBER LEGEND	
AVXXX-000 TO AVXXX-099	RESERVED
AVXXX-100 TO AVXXX-199	PROJECT COVER SHEET, INDEXES AND KEYS
AVXXX-200 TO AVXXX-299	PLANS AND RISERS
AVXXX-300 TO AVXXX-399	AUDIO SINGLE LINE DIAGRAMS
AVXXX-400 TO AVXXX-499	VIDEO SINGLE LINE DIAGRAMS
AVXXX-500 TO AVXXX-599	CONTROL AND NETWORK DIAGRAMS
AVXXX-600 TO AVXXX-699	EQUIPMENT RACK ELEVATIONS
AVXXX-700 TO AVXXX-799	PATCH BAY, LABEL, AND PANEL LAYOUTS
AVXXX-800 TO AVXXX-899	MECHANICAL DETAILS
AVXXX-900 TO AVXXX-999	MISCELLANEOUS DETAILS

NOTES

MISCELLANEOUS

DRAWING INDEX																			
DRAWING NUMBER	DRAWING TITLE	LATEST ISSUE			DRAWING NUMBER	DRAWING TITLE	ORIGINAL ISSUE	REVISION LEVEL	LATEST ISSUE	DRAWING NUMBER	DRAWING TITLE	ORIGINAL ISSUE	REVISION LEVEL	LATEST ISSUE	DRAWING NUMBER	DRAWING TITLE	ORIGINAL ISSUE	REVISION LEVEL	LATEST ISSUE
		ORIGINAL ISSUE	REVISION LEVEL	AS BUILT															
AV-100	COVER SHEET	10/3/19																	
AV-201	REFLECTED CEILING PLAN FLOOR 1A	10/3/19																	
AV-202	REFLECTED CEILING PLAN FLOOR 1B	10/3/19																	
AV-203	REFLECTED CEILING PLAN FLOOR 1C	10/3/19																	
AV-204	REFLECTED CEILING PLAN FLOOR 2	10/3/19																	
AV-205	REFLECTED CEILING PLAN FLOOR 3	10/3/19																	
AV-206	REFLECTED CEILING PLAN FLOOR 4	10/3/19																	
AV-207	REFLECTED CEILING PLAN FLOOR 5	10/3/19																	
AV-401	A/V WIRING DIAGRAM	10/3/19																	
AV-601	RACK ELEVATION	10/3/19																	
AV-901	DETAILS 1	10/3/19																	
AV-902	DETAILS 2	10/3/19																	

GENERAL INFORMATION							
DRAWER:	SD	DESIGNER:	J. BRADDOCK	PROJECT MGR:	C. MURRAY	DATE:	10/3/19
INTEGRATION MGR:		SALES REP:		SCALE:			

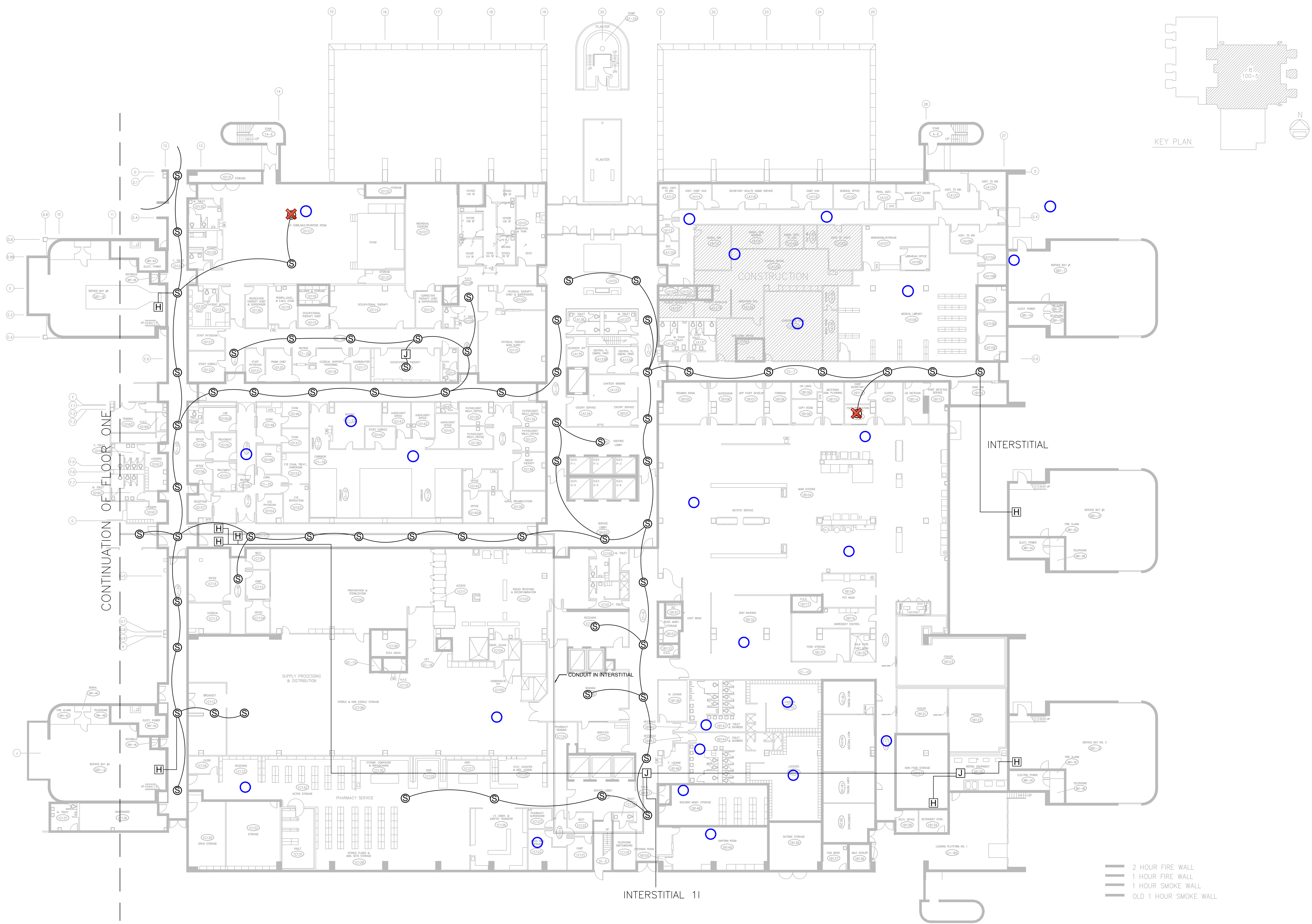
CABLE COUNT LEGEND						
HDMI		USBA		USBB		USBAB
VGA		DVI		RJ45		

APPROVAL STAMP: FOR CONSTRUCTION

AS-BUILT

JOB NO: 20-19-P092

SHEET
AV-100



8933 Western Way Suite 17
Jacksonville, FL 32256
Phone: (904) 295-8860
Fax: (904) 295-8865

PC
PreciseCabling.com
Precise Cabling
Inc.

VETERAN'S AFFAIRS - BAY PINES
BAY PINES, FL
VA PAGING SYSTEM UPGRADE
RCP FLOOR 1A

THIS DRAWING IS THE EXCLUSIVE PROPERTY OF P.C.I. AND WAS PREPARED FOR THE EXCLUSIVE USE OF E.C.I. FOR THE SPECIFIC PROJECT AND LOCATION. NO REPRODUCTION, OR DUPLICATION OF THIS DRAWING, IN PART OR WHOLE MAY BE MADE WITHOUT WRITTEN PERMISSION OF E.C.I.

GENERAL INFORMATION	
DRAWER:	SD
DESIGNER:	J. BRADDOCK
PROJECT MGR:	C. MURRAY
INTEGRATION MGR:	
SALES REF:	
DATE:	10/3/19
SCALE:	

CABLE COUNT LEGEND	
HDMI	
VGA	
USBA	
USBB	
USBAB	
DVI	
RJ45	

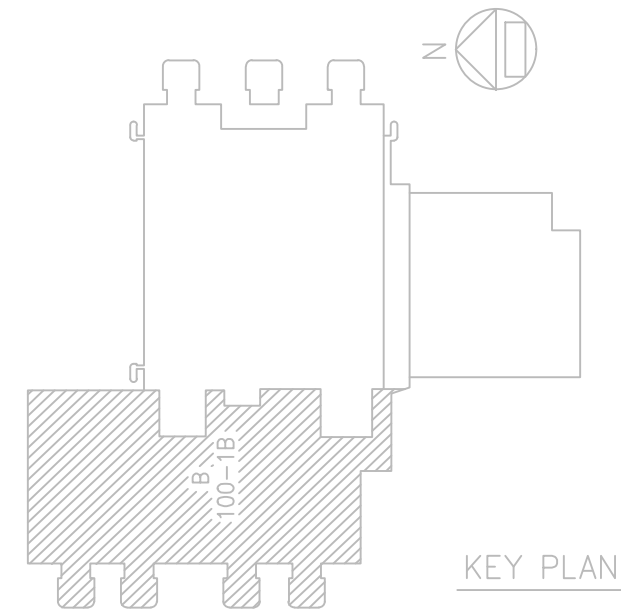
APPROVAL STAMP: FOR CONSTRUCTION

AS-BUILT

JOB NO: 20-19-P092

SHEET
AV-201

CONTINUATION OF FLOOR ONE



VETERAN'S AFFAIRS - BAY PINES
BAY PINES, FL
VA PAGING SYSTEM UPGRADE
RCP FLOOR 1B

THIS DRAWING IS THE EXCLUSIVE PROPERTY OF P.C.I. AND WAS PREPARED FOR THE EXCLUSIVE USE OF E.C.I. FOR THE
SPECIAL PROJECT OF THE VA PAGING SYSTEM UPGRADE. NO REPRODUCTION, OR DUPLICATION OF THIS DRAWING, IN PART OR WHOLE MAY
BE MADE WITHOUT WRITTEN PERMISSION OF E.C.I.

GENERAL INFORMATION	
DRAWER:	SD
DESIGNER:	J. BRADDOCK
PROJECT MGR:	C. MURRAY
INTEGRATION MGR:	
SALES REP:	
DATE:	10/3/19
SCALE:	

CABLE COUNT LEGEND	
HDMI	
VGA	
USBA	
USBB	
USBAB	
DVI	
RJ45	

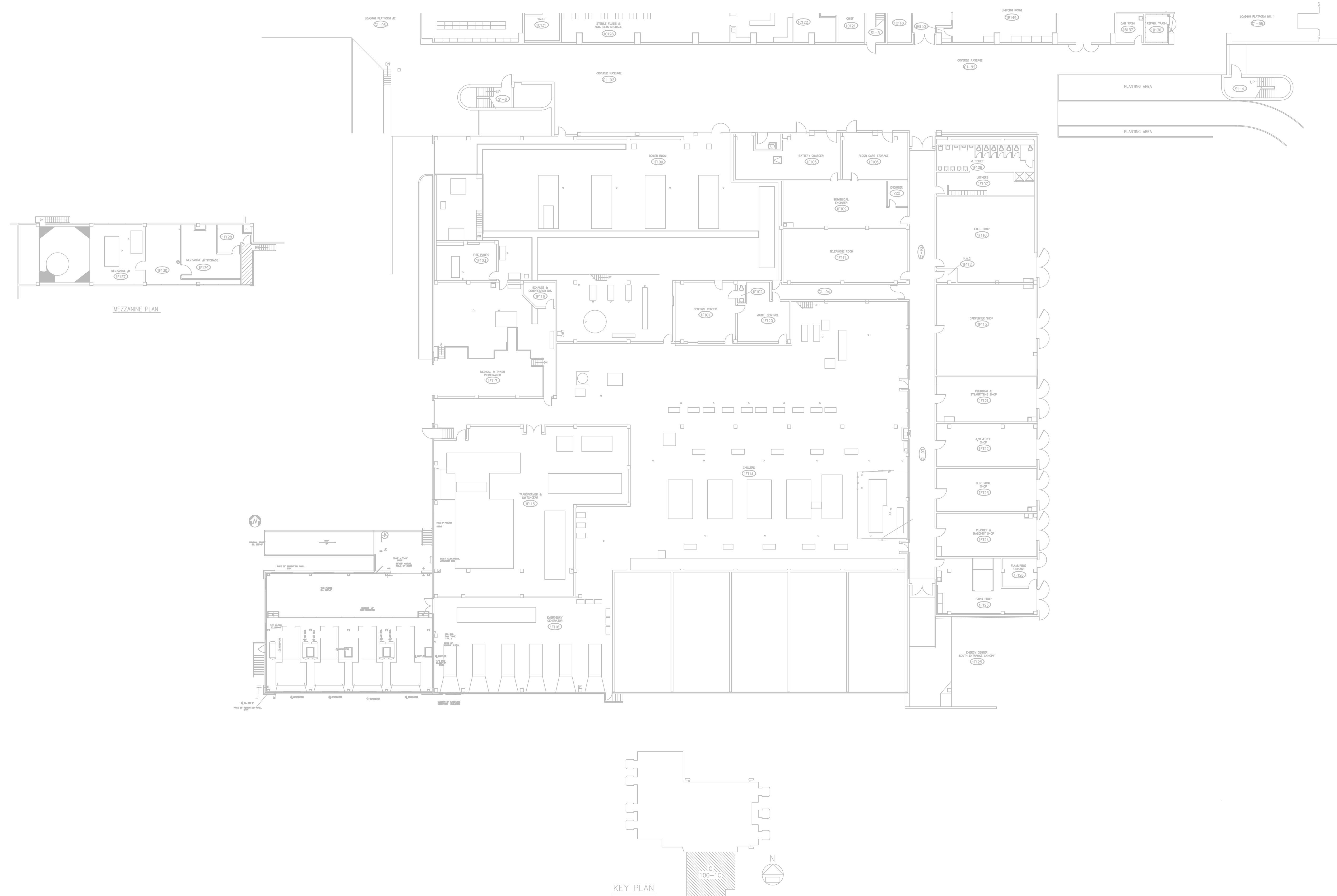
APPROVAL STAMP: FOR CONSTRUCTION

AS-BUILT

JOB NO: 20-19-P092

SHEET
AV-202

1 | 2 | 3 | 4 | 5 | 6 | 7 | 8 | 9



8933 Western Way Suite 17
 Jacksonville, FL 32256
 Phone: (904) 295-8860
 Fax: (904) 295-8865

PC
 PreciseCabling.com
 Precise Cabling
 Inc.

VETERAN'S AFFAIRS - BAY PINES
 BAY PINES, FL
 VA PAGING SYSTEM UPGRADE
 RCP FLOOR 1C

THIS DRAWING IS THE EXCLUSIVE PROPERTY OF P.C.I. AND WAS PREPARED FOR THE EXCLUSIVE USE OF E.C.I. FOR THE
 SPECIFIC PROJECT AND LOCATION. NO REPRODUCTION, OR DUPLICATION OF THIS DRAWING, IN PART OR WHOLE MAY
 BE MADE WITHOUT WRITTEN PERMISSION OF E.C.I.

GENERAL INFORMATION	
DRAWER:	SD
DESIGNER:	J. BRADDOCK
PROJECT MGR:	C. MURRAY
INTEGRATION MGR:	
SALES REP:	
DATE:	10/3/19
SCALE:	

CABLE COUNT LEGEND	
HDMI	
VGA	
USBA	
USBB	
USBAB	
DVI	
RJ45	

APPROVAL STAMP: FOR CONSTRUCTION

AS-BUILT

JOB NO: 20-19-P092

SHEET
 AV-203



Renovated CT Suite: Add 5 Speakers - Reception, CT Control Rm, Near Recovery, end of hallway. Also add one in Office Hallway

VETERAN'S AFFAIRS - BAY PINES
BAY PINES, FL

VA PAGING SYSTEM UPGRADE
RCP FLOOR 2

GENERAL INFORMATION

DRAWER:	SD
DESIGNER:	J. BRADDOCK
PROJECT MGR:	C. MURRAY
INTEGRATION MGR:	
SALES REP:	
DATE:	10/3/19
SCALE:	

CABLE COUNT LEGEND

HDMI	
VGA	
USBA	
USBB	
USBAB	
DVI	
RJ45	

APPROVAL STAMP: FOR CONSTRUCTION

AS-BUILT

JOB NO: 20-19-P092

SHEET
AV-204

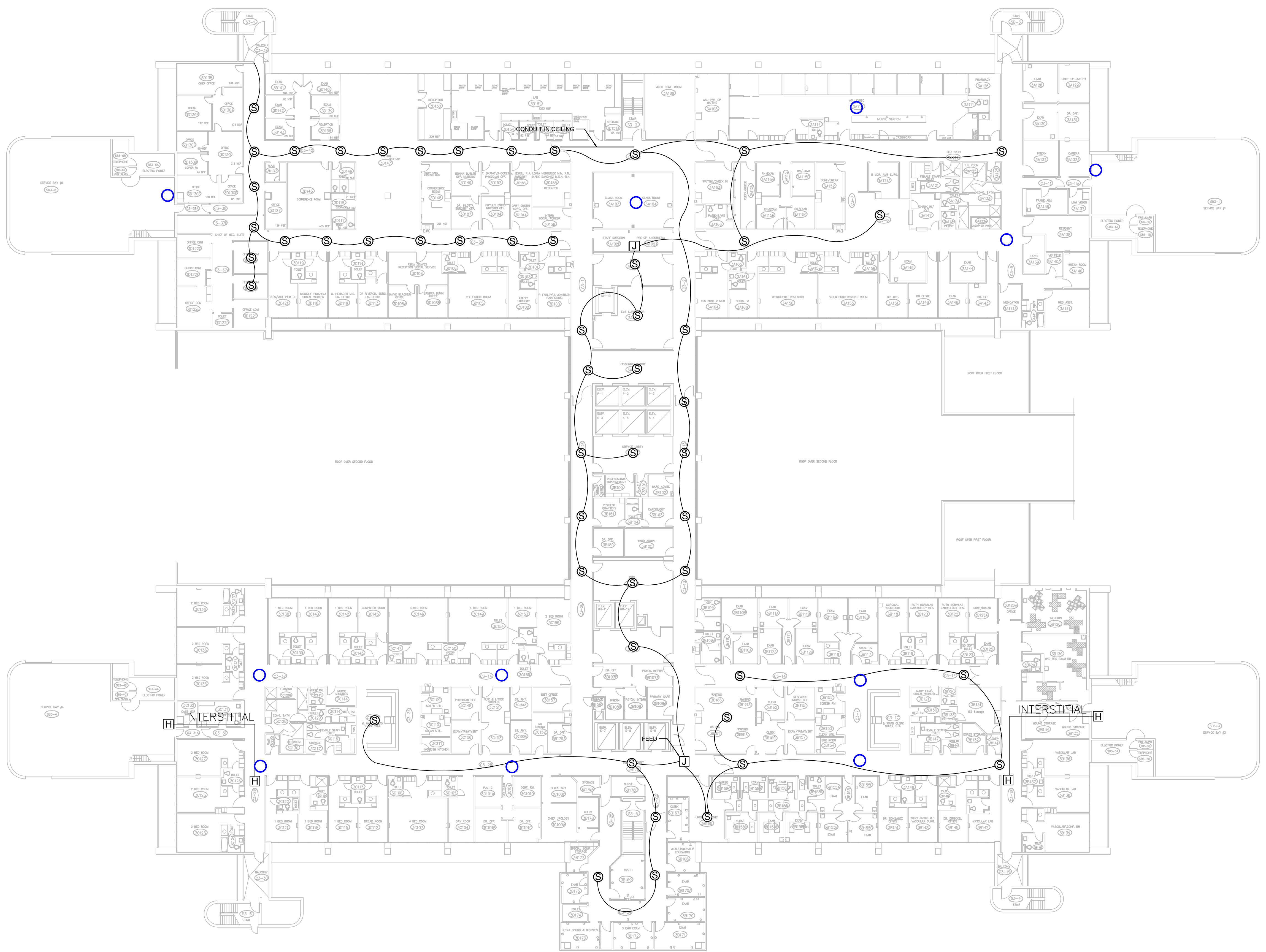
8933 Western Way Suite 17
Jacksonville, FL 32256

Phone: (904) 295-8860
Fax: (904) 295-8865



THIS DRAWING IS THE EXCLUSIVE PROPERTY OF PCI AND WAS PREPARED FOR THE EXCLUSIVE USE OF ECI. FOR THE
SINGLE PROJECT AND FOR THE PROJECT ONLY. NO REPRODUCTION, OR DUPLICATION OF THIS DRAWING, IN PART OR WHOLE MAY
BE MADE WITHOUT WRITTEN PERMISSION OF ECI.

1 | 2 | 3 | 4 | 5 | 6 | 7 | 8 | 9



8933 Western Way Suite 17
Jacksonville, FL 32256
Phone: (904) 295-8860
Fax: (904) 295-8865

PreciseCabling.com
Precise Cabling
Inc.

VETERAN'S AFFAIRS - BAY PINES
BAY PINES, FL

VA PAGING SYSTEM UPGRADE
RCP FLOOR 3

THIS DRAWING IS THE EXCLUSIVE PROPERTY OF PCI AND WAS PREPARED FOR THE EXCLUSIVE USE OF ECI. FOR THE
SOLE USE OF THE PROJECT AND NOT FOR REPRODUCTION, OR DUPLICATION OF THIS DRAWING, IN PART OR WHOLE MAY
BE MADE WITHOUT WRITTEN PERMISSION OF ECI.

GENERAL INFORMATION	
DRAWER:	SD
DESIGNER:	J. BRADDOCK
PROJECT MGR:	C. MURRAY
INTEGRATION MGR:	
SALES REP:	
DATE:	10/3/19
SCALE:	

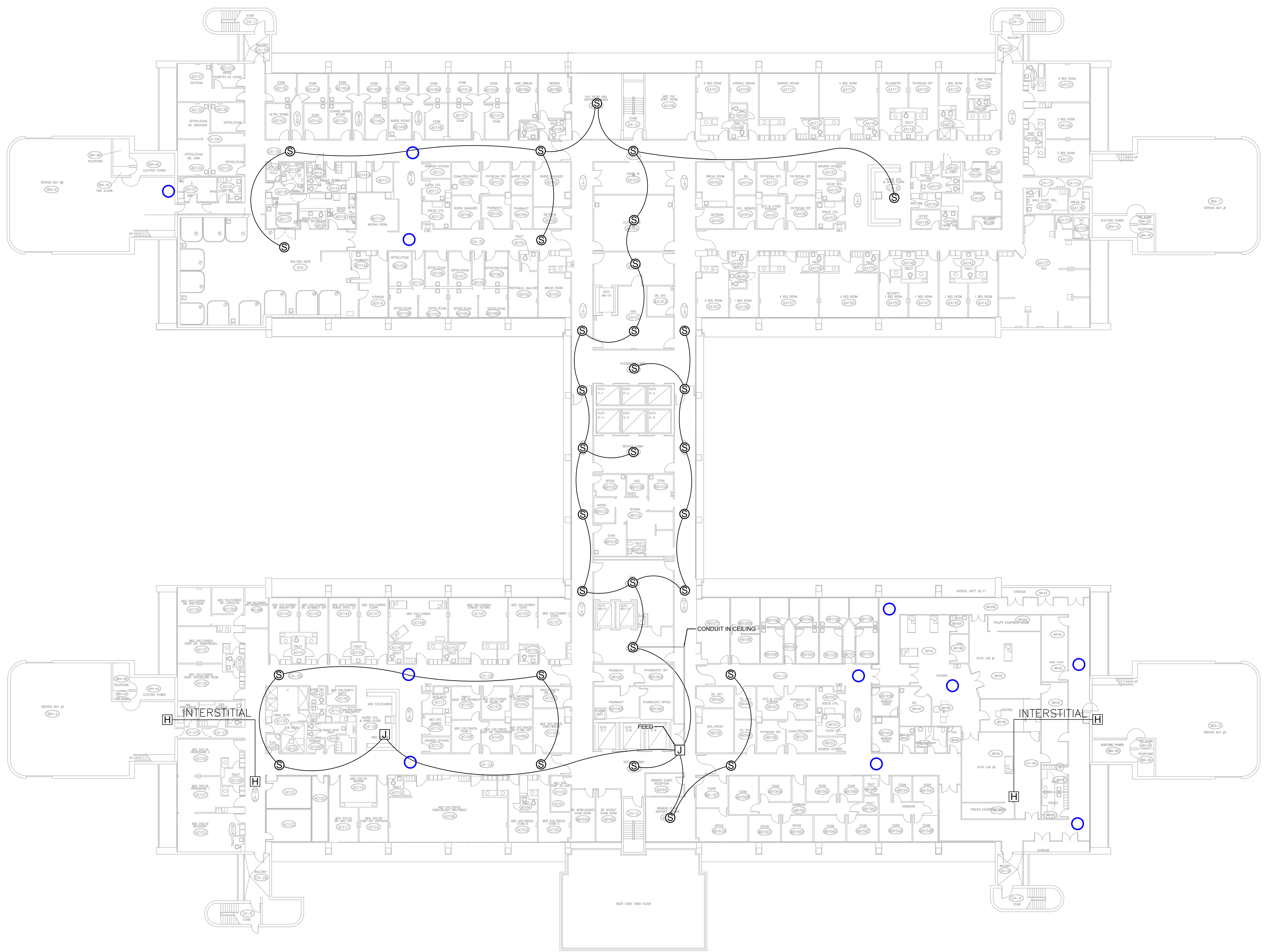
CABLE COUNT LEGEND	
HDMI	
VGA	
USBA	
USBB	
USBAB	
DVI	
RJ45	

APPROVAL STAMP: FOR CONSTRUCTION

AS-BUILT

JOB NO: 20-19-P092

SHEET
AV-205



8933 Western Way Suite 17
Jacksonville, FL 32256
Phone: (904) 295-8860
Fax: (904) 295-8865

Precise Cabling Inc.
Precisecabling.com

VETERAN'S AFFAIRS - BAY PINES
BAY PINES, FL

VA PAGING SYSTEM UPGRADE
RCP FLOOR 4

THIS DRAWING IS THE EXCLUSIVE PROPERTY OF PCI AND WAS PREPARED FOR THE EXCLUSIVE USE OF ECI. FOR THE
SINGLE PURPOSE OF THE PROJECT AND FOR NO OTHER PURPOSE. NO REPRODUCTION, IN PART OR WHOLE MAY
BE MADE WITHOUT WRITTEN PERMISSION OF ECI.

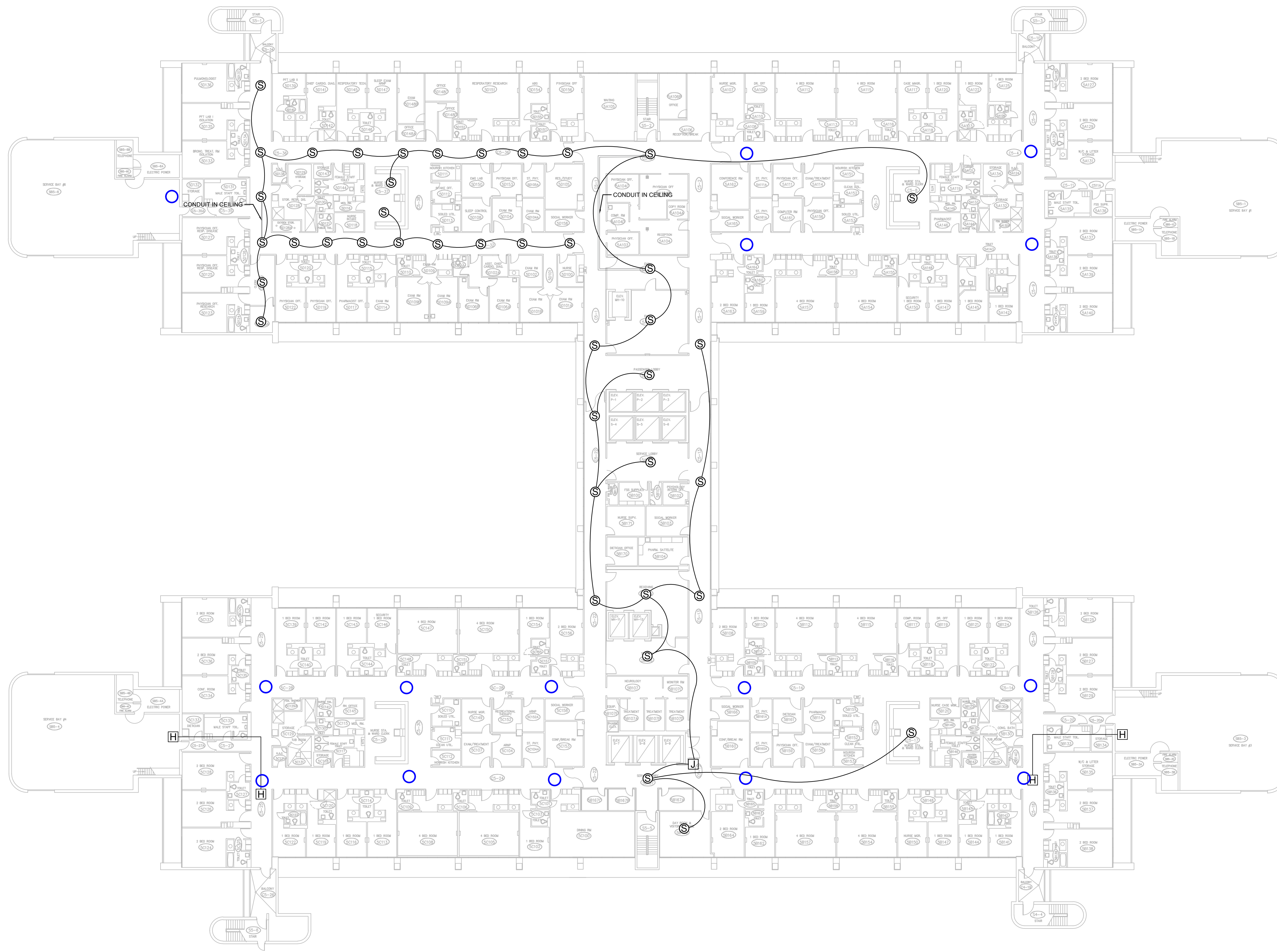
CABLE COUNT LEGEND		GENERAL INFORMATION	
HDMI		DRAWER:	SD
VGA		DESIGNER:	J. BRADDOCK
USBA		PROJECT MGR:	C. MURRAY
USBB		INTEGRATION MGR:	
USBAB		SALES REP:	
DVI		DATE:	10/3/19
RJ45		SCALE:	

APPROVAL STAMP: FOR CONSTRUCTION

AS-BUILT

JOB NO: 20-19-P092

SHEET
AV-206



VETERAN'S AFFAIRS - BAY PINES
 BAY PINES, FL

VA PAGING SYSTEM UPGRADE
 RCP FLOOR 5

GENERAL INFORMATION

SD	J. BRADDOCK
DRATER:	C. MURRAY
DESIGNER:	
PROJECT MGR:	
INTEGRATION MGR:	
SALES REP:	
DATE:	10/3/19
SCALE:	

CABLE COUNT LEGEND

HDMI	
VGA	
USBA	
USBB	
USBAB	
DVI	
RJ45	

APPROVAL STAMP: FOR CONSTRUCTION

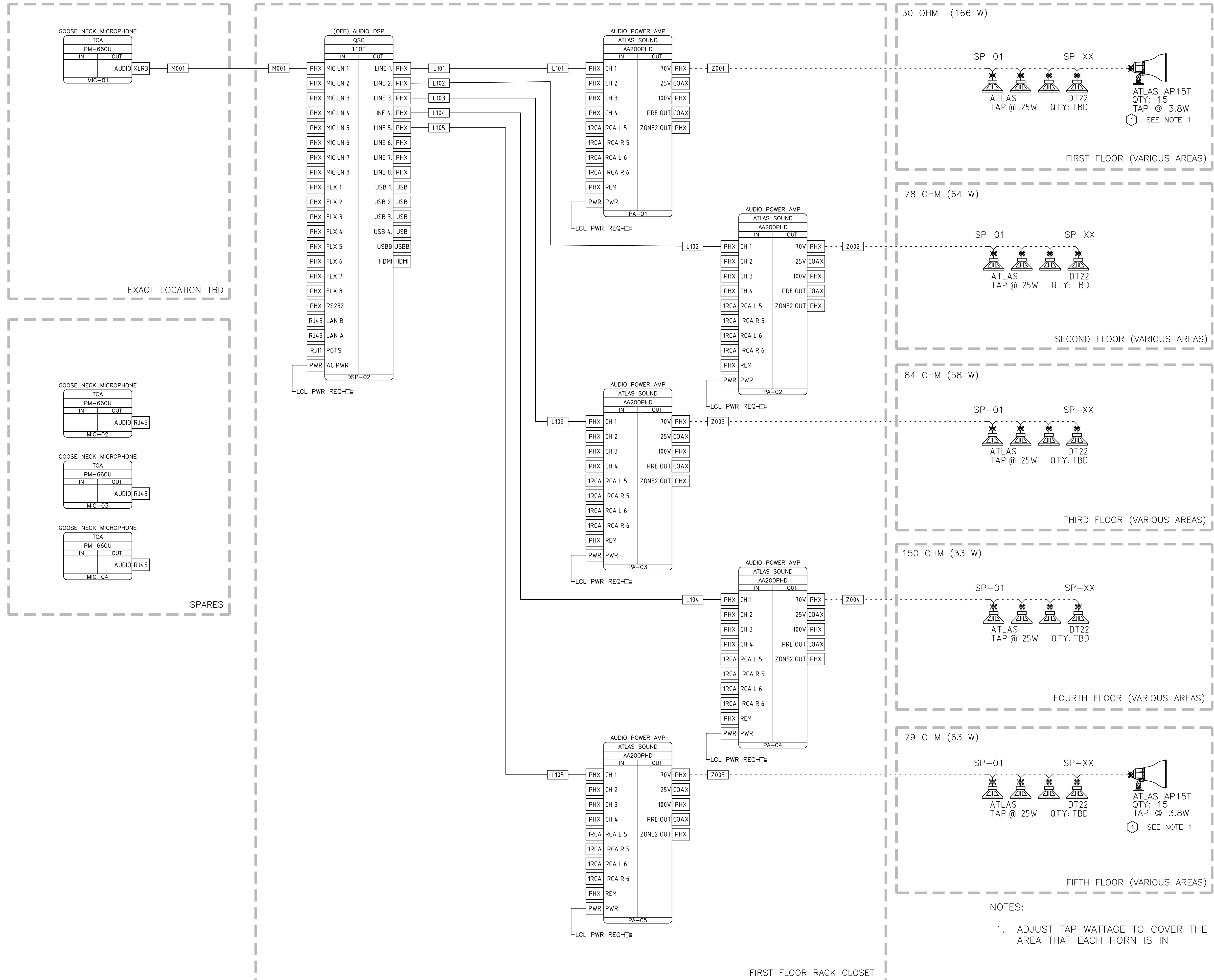
AS-BUILT

JOB NO: 20-19-P092

SHEET
 AV-207

8933 Western Way Suite 17
 Jacksonville, FL 32256
 Phone: (904) 295-8860
 Fax: (904) 295-8865

THIS DRAWING IS THE EXCLUSIVE PROPERTY OF PCI AND WAS PREPARED FOR THE EXCLUSIVE USE OF ECI. FOR THE
 SINGLE PROJECT AND SITE ONLY. NO REPRODUCTION, DISTRIBUTION, OR DUPLICATION OF THIS DRAWING, IN PART OR WHOLE MAY
 BE MADE WITHOUT WRITTEN PERMISSION OF ECI.



NOTES:
 1. ADJUST TAP WATTAGE TO COVER THE AREA THAT EACH HORN IS IN

8933 Western Way Suite 17
 Jacksonville, FL 32256
 Phone: (904) 295-8860
 Fax: (904) 295-8865

PCI
 PreciseCabling.com
 Inc.

VETERAN'S AFFAIRS - BAY PINES
 BAY PINES, FL
 VA PAGING SYSTEM UPGRADE
 A/V WIRING DIAGRAM

THIS DRAWING IS THE EXCLUSIVE PROPERTY OF PCI AND WAS PREPARED FOR THE EXCLUSIVE USE OF ECI. FOR THE SALES OF THIS DRAWING OR FOR REPRODUCTION, OR DUPLICATION OF THIS DRAWING, IN PART OR WHOLE MAY BE MADE WITHOUT WRITTEN PERMISSION OF ECI.

GENERAL INFORMATION							
DRAWER:	SD	DESIGNER:	J. BRADDOCK	PROJECT MGR:	C. MURRAY	DATE:	10/3/19
INTEGRATION MGR:		SALES REF:		SCALE:			

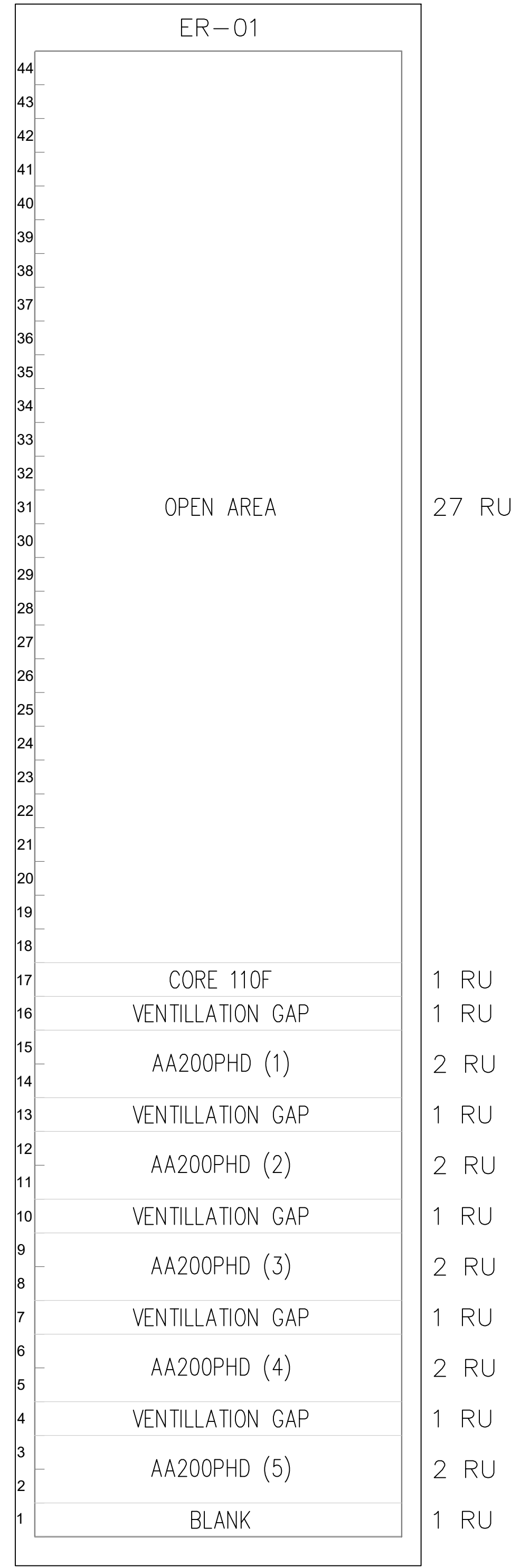
CABLE COUNT LEGEND							
HDMI		USBA		USBB		DVI	
VGA		USBB		USBAB		RJ45	

APPROVAL STAMP: FOR CONSTRUCTION

AS-BUILT

JOB NO: 20-19-P092

SHEET
 AV-401



(OFF) EXISTING RACK

VETERAN'S AFFAIRS - BAY PINES
BAY PINES, FL
VA PAGING SYSTEM UPGRADE
RACK ELEVATION

THIS DRAWING IS THE EXCLUSIVE PROPERTY OF PCI AND WAS PREPARED FOR THE EXCLUSIVE USE OF ECI. FOR THE
SINGLE PURPOSE OF CONSTRUCTION. NO REPRODUCTION, OR DUPLICATION OF THIS DRAWING, IN PART OR WHOLE MAY
BE MADE WITHOUT WRITTEN PERMISSION OF ECI.

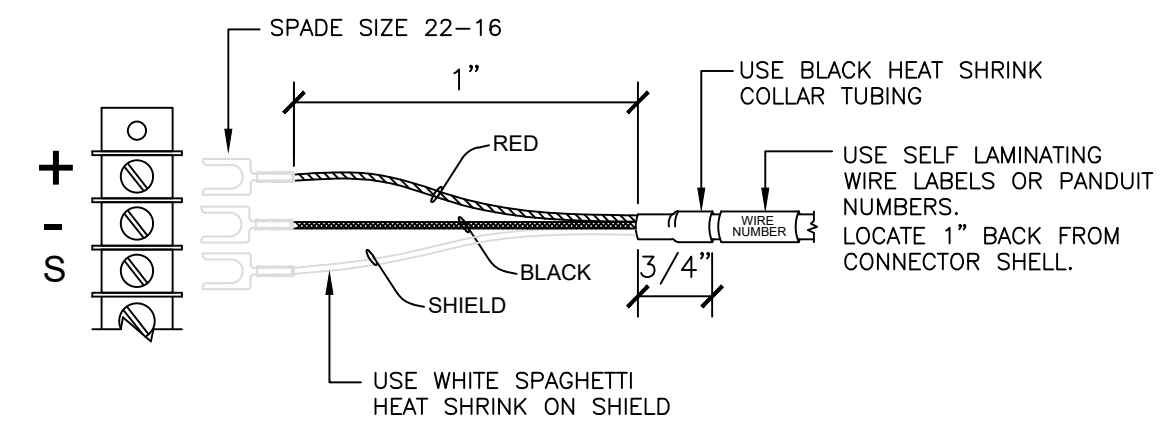
CABLE COUNT LEGEND		GENERAL INFORMATION	
HDMI		DRAFTER:	SD
VGA		DESIGNER:	J. BRADDOCK
USBA		PROJECT MGR:	C. MURRAY
USBB		INTEGRATION MGR:	
USBAB		SALES REP:	
DVI		DATE:	10/3/19
RJ45		SCALE:	

APPROVAL STAMP: FOR CONSTRUCTION

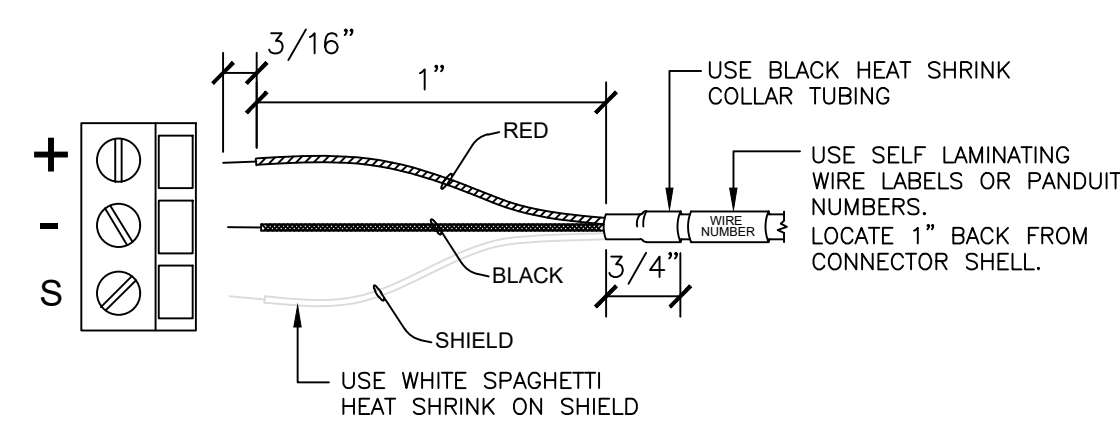
AS-BUILT

JOB NO: 20-19-P092

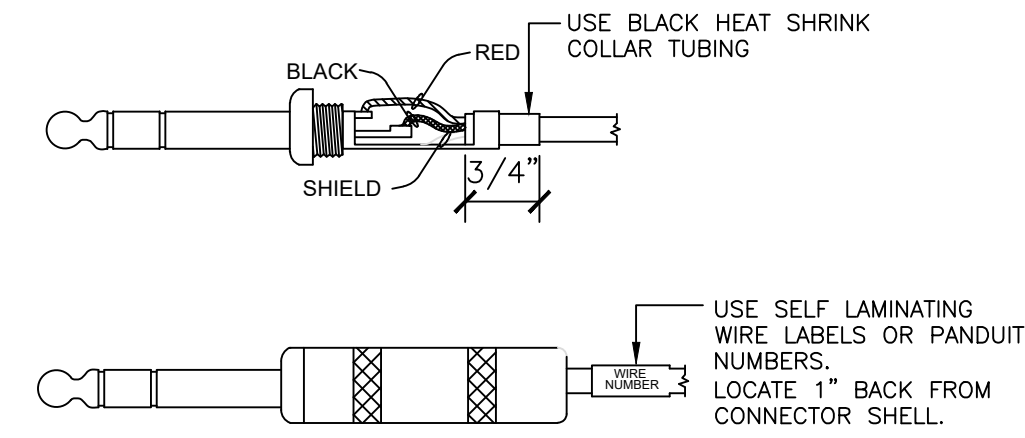
SHEET
AV-601



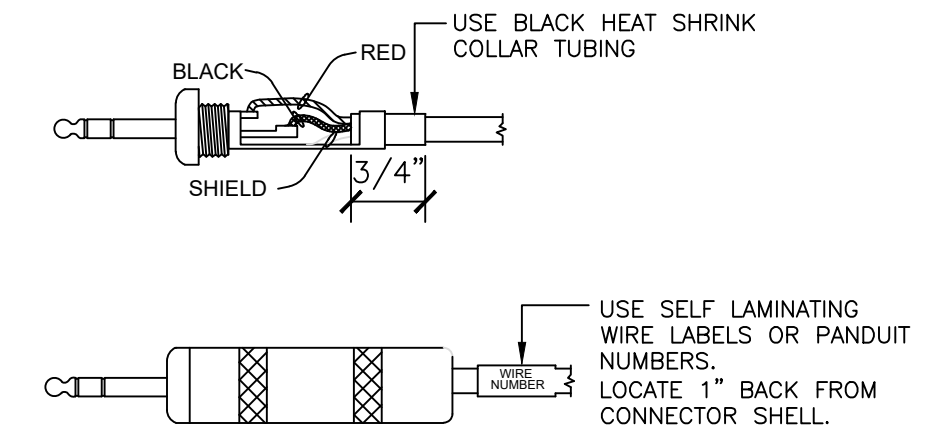
1 SPADE LUG TERMINATION
901 CABLE PREPARATION DETAIL



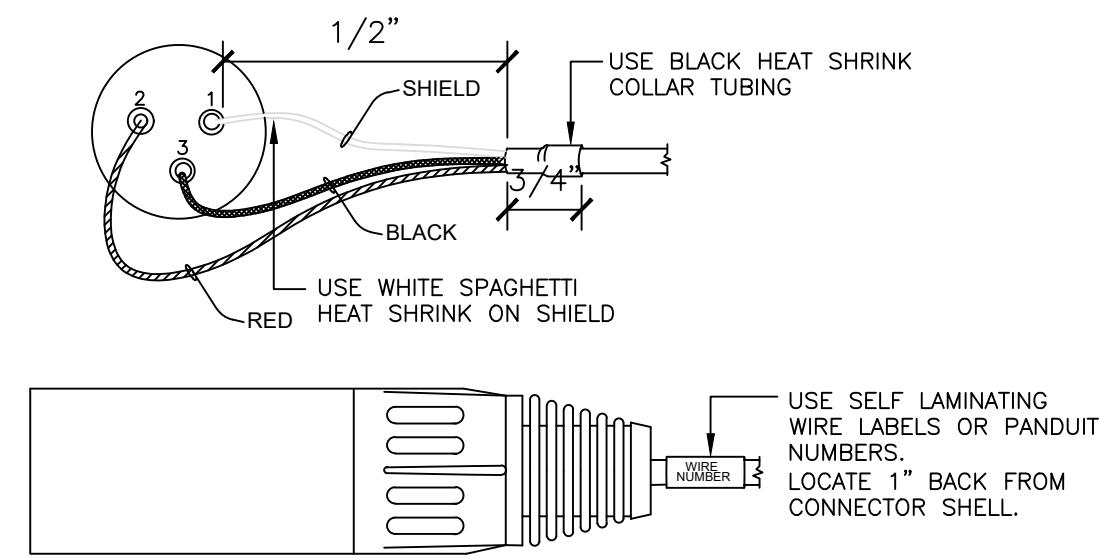
2 PHOENIX BLOCK TERMINATION
901 CABLE PREPARATION DETAIL



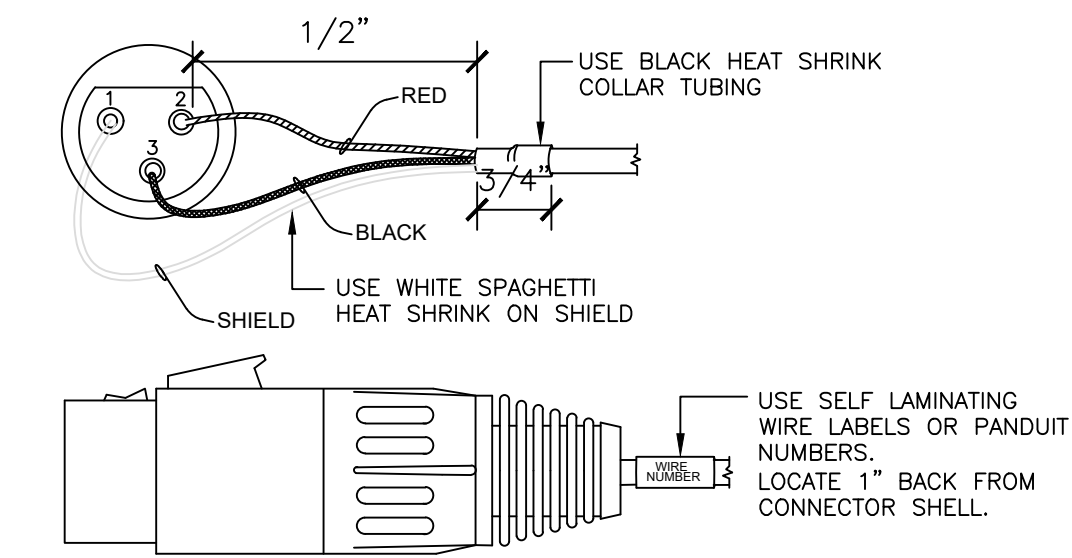
3 1/4" TRS TERMINATION
901 CABLE PREPARATION DETAIL



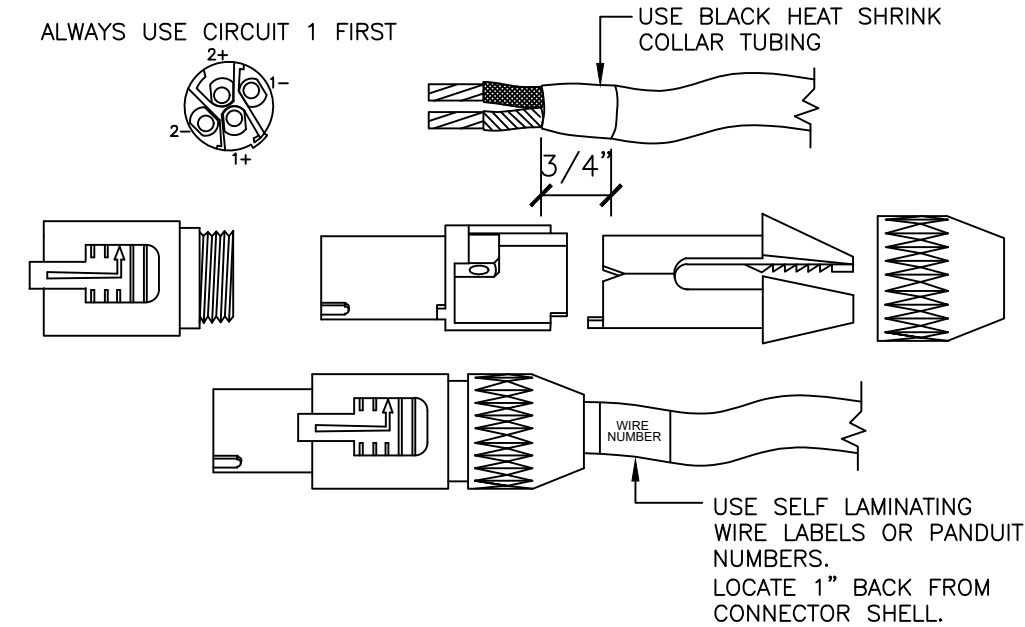
4 1/8" TRS TERMINATION
901 CABLE PREPARATION DETAIL



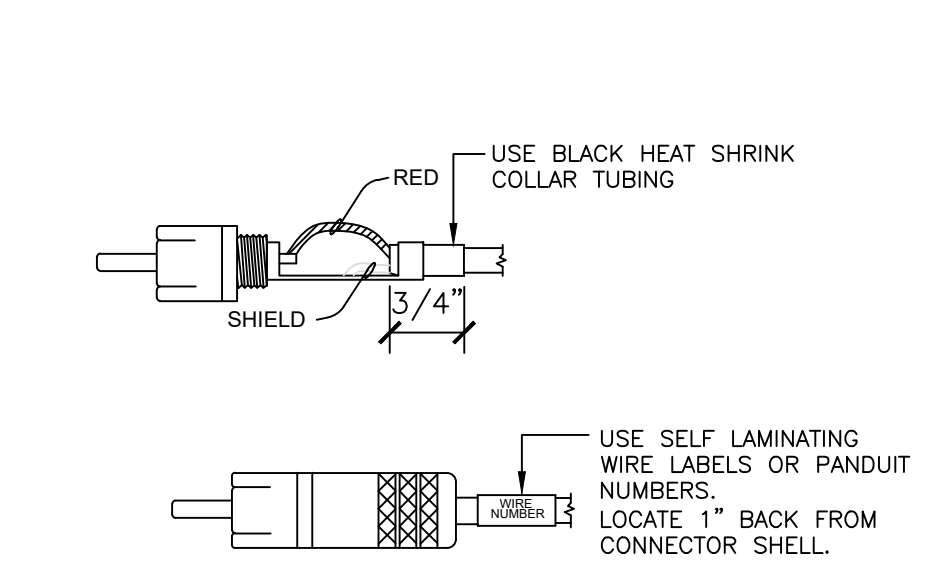
5 XLR MALE TERMINATION
901 CABLE PREPARATION DETAIL



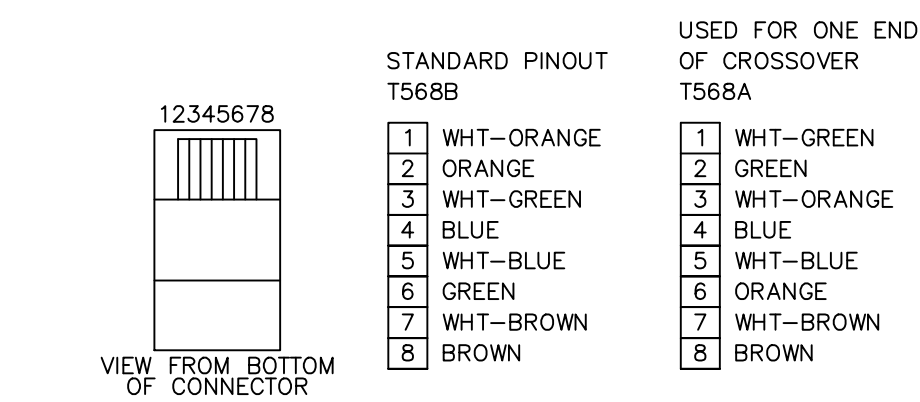
6 XLR FEMALE TERMINATION
901 CABLE PREPARATION DETAIL



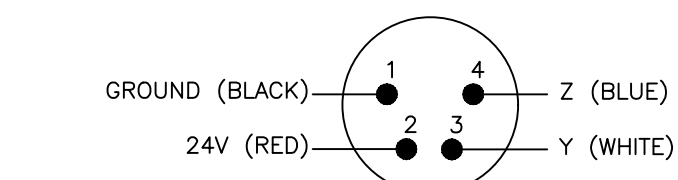
7 NL4 SPEAKON TERMINATION
901 CABLE PREPARATION DETAIL



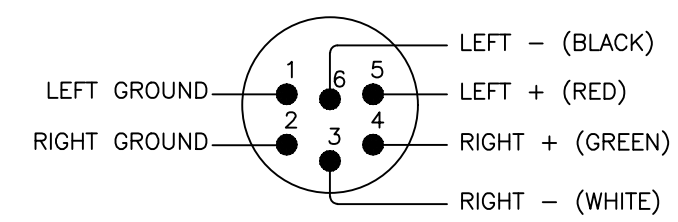
8 RCA TERMINATION
901 CABLE PREPARATION DETAIL



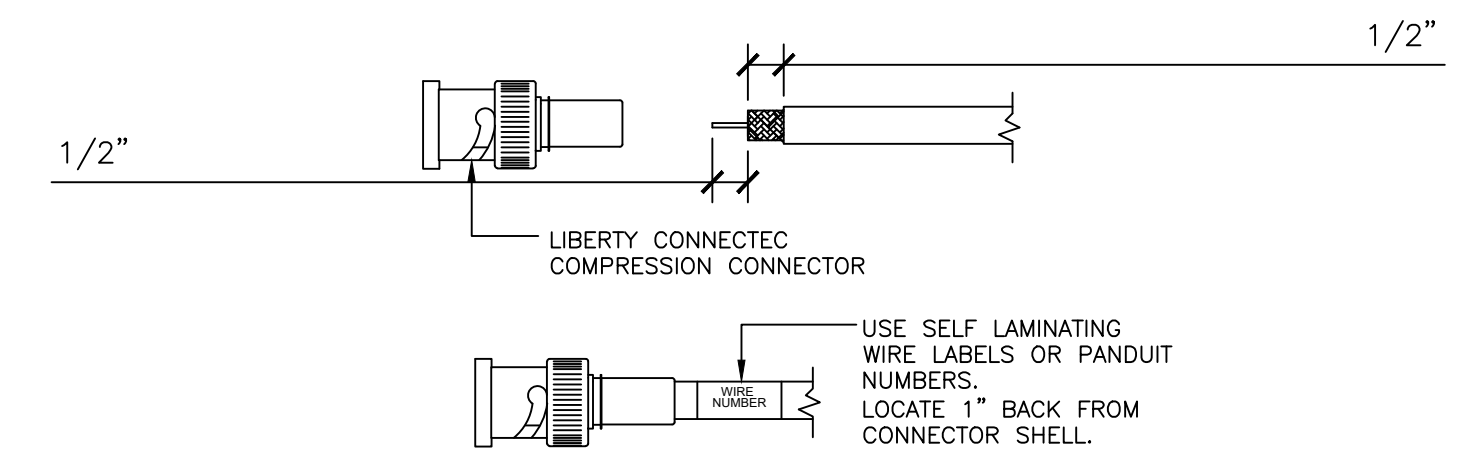
9 RJ45 TERMINATION
901 CABLE PREPARATION DETAIL



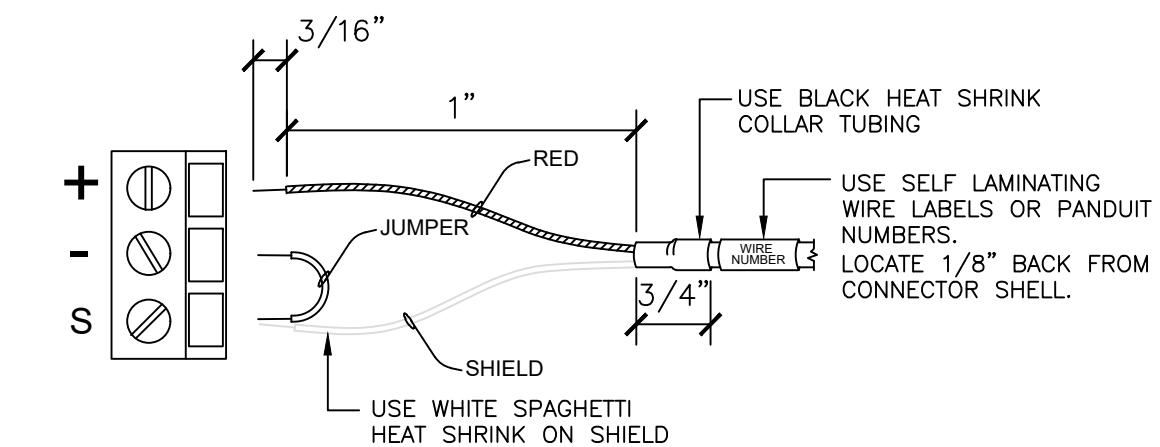
10 CRESTNET/AXLINK 4-PIN XLR
901 CABLE PREPARATION DETAIL



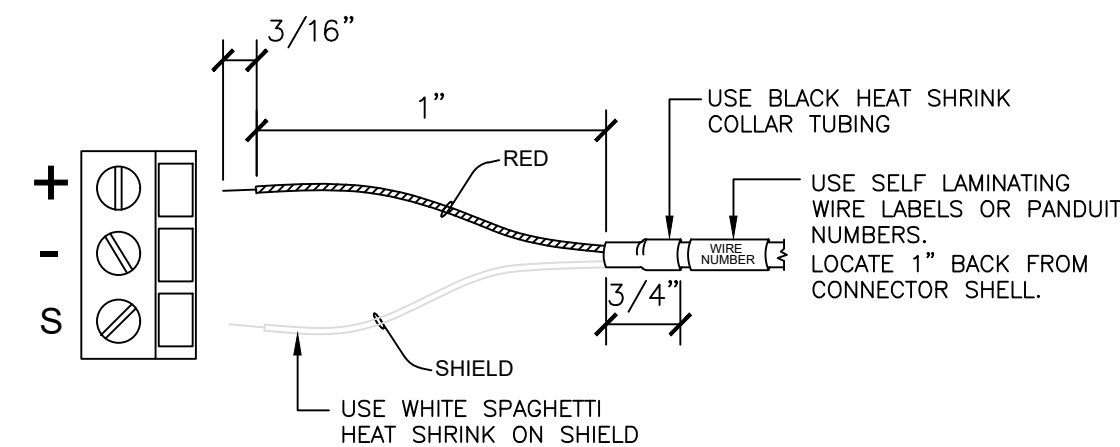
11 STEREO AUDIO 6-PIN XLR
901 CABLE PREPARATION DETAIL



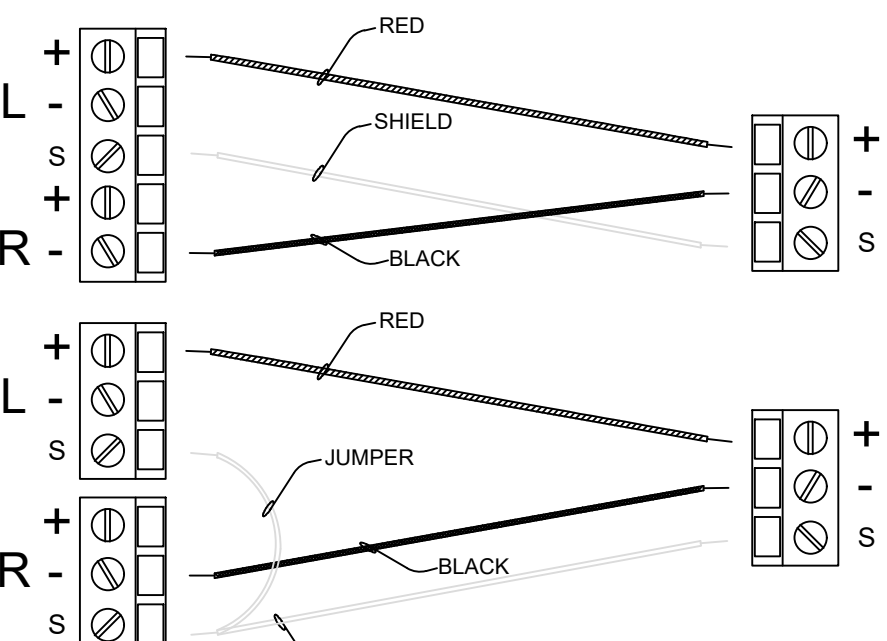
12 VIDEO TERMINATION
901 CABLE PREPARATION DETAIL



13 UNBALANCED INPUT
901 CABLE PREPARATION DETAIL



14 UNBALANCED OUTPUT
901 CABLE PREPARATION DETAIL



15 BALANCED STEREO OUT TO MONO IN
901 CABLE PREPARATION DETAIL

- NOTES:
- ALL LABELS TO BE LOCATED 1" BEHIND HEAT SHRINK AND/OR CONNECTOR'S COLLAR.
 - WIRE LABEL TO BE APPLIED TO CABLE WITH TEXT STARTING CLOSEST TO THE CONNECTOR.
 - RCA, 1/8", AND 1/4" CONNECTORS TO BE CLAMPED OVER HEAT SHRINK TUBING.
 - ALL CONNECTIONS TO BE MADE BALANCED TO BALANCED WHENEVER POSSIBLE OR UNLESS OTHERWISE NOTED.
 - ALL CONNECTIONS TO BE MADE STEREO TO STEREO WHENEVER POSSIBLE OR UNLESS OTHERWISE NOTED.
 - ALL SHIELDS TO BE CONNECTED UNLESS AN AUDIO HUM IS CREATED. IF SHIELDS NEED TO BE LIFTED THEY SHOULD BE LIFTED AT THE INPUT SIDE ONLY.

GENERAL INFORMATION					
DRAWER:	SD	DESIGNER:	J. BRADDOCK	DATE:	10/3/19
PROJECT MGR:	C. MURRAY	INTEGRATION MGR:		SCALE:	

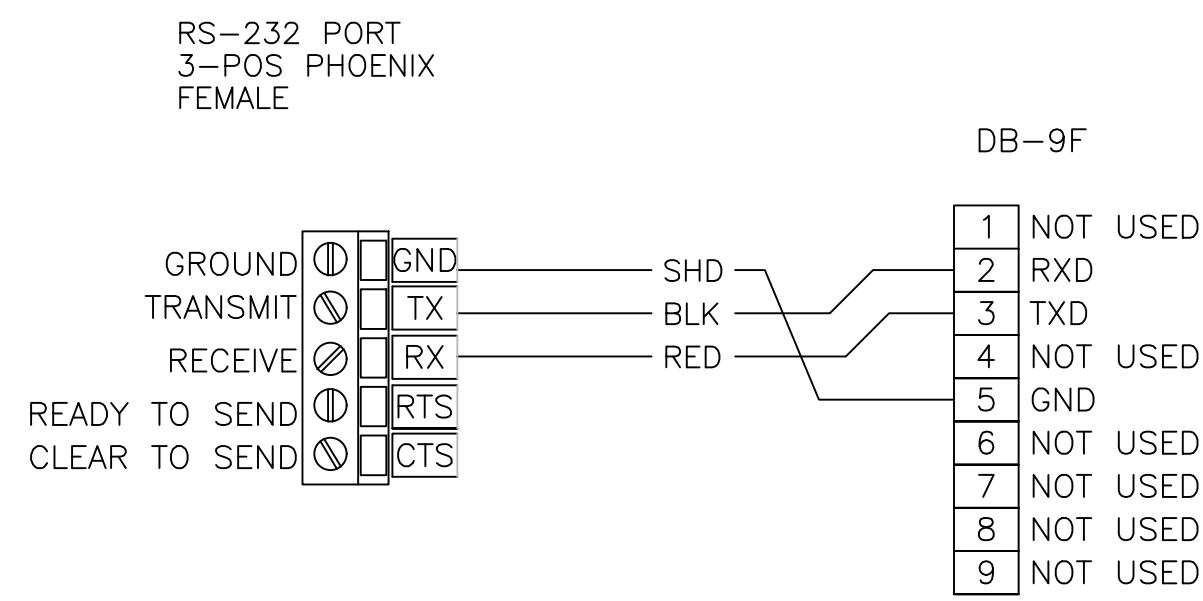
CABLE COUNT LEGEND					
HDMI		USBA		DVI	
VGA		USBB		RJ45	

APPROVAL STAMP: FOR CONSTRUCTION

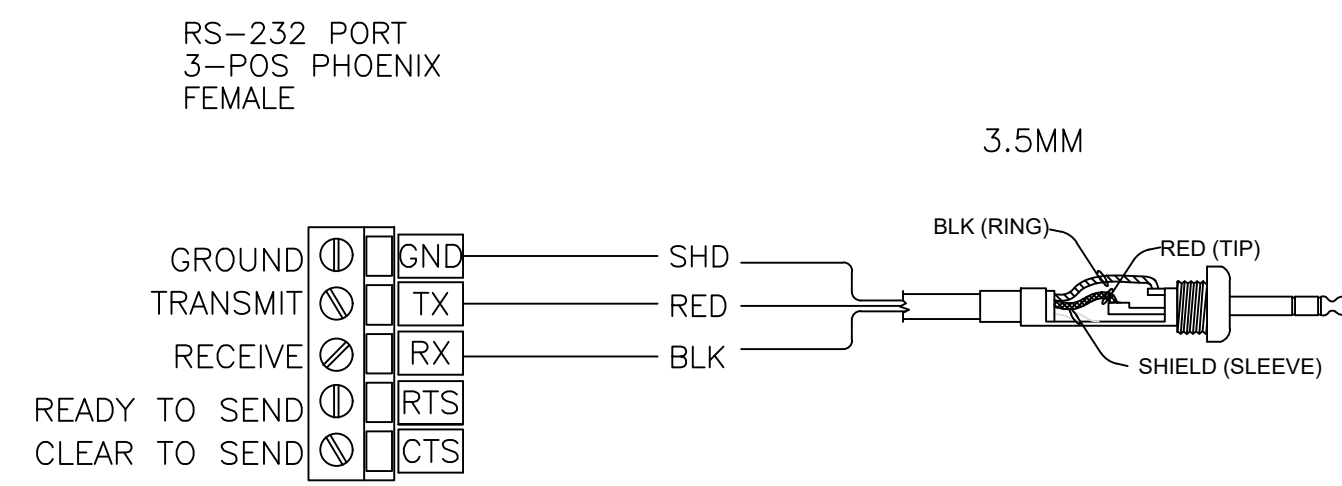
AS-BUILT

JOB NO: 20-19-P092

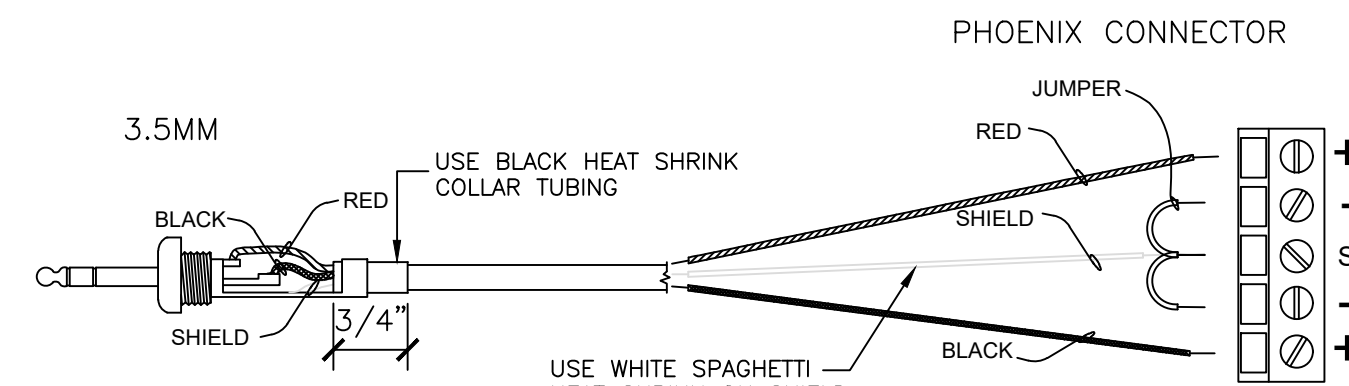
SHEET
AV-901



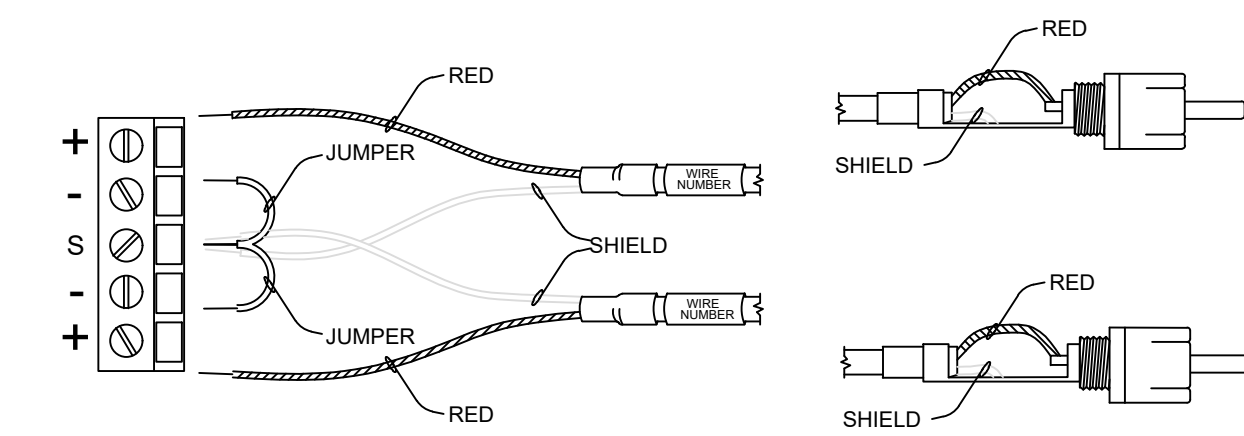
1 RS-232 CONTROL FOR GENERIC DEVICE
3-WIRE STRAIGHT THROUGH
902 CABLE PREPARATION DETAIL



2 RS-232 CONTROL FOR GENERIC DEVICE
5-WIRE STRAIGHT THRU
902 CABLE PREPARATION DETAIL



3 3.5MM STEREO UNBALANCED TO BALANCED
3 WIRE STRAIGHT THROUGH WITH JUMPER
902 CABLE PREPARATION DETAIL



4 BALANCED STEREO OUT TO
UNBALANCED STEREO IN (RCA)
902 CABLE PREPARATION DETAIL

VETERAN'S AFFAIRS - BAY PINES
BAY PINES, FL
VA PAGING SYSTEM UPGRADE
DETAILS 2

THIS DRAWING IS THE EXCLUSIVE PROPERTY OF PC AND WAS PREPARED FOR THE EXCLUSIVE USE OF ECI. FOR THE
SOLE USE OF ECI. ANY REPRODUCTION, OR DUPLICATION OF THIS DRAWING, IN PART OR WHOLE MAY
BE MADE WITHOUT WRITTEN PERMISSION OF ECI.

CABLE COUNT LEGEND		GENERAL INFORMATION	
HDMI		DRAWER:	SD
VGA		DESIGNER:	J. BRADDOCK
USBA		PROJECT MGR:	C. MURRAY
USBB		INTEGRATION MGR:	
USBAB		SALES REP:	
DVI		DATE:	10/3/19
RJ45		SCALE:	

APPROVAL STAMP: FOR CONSTRUCTION

AS-BUILT

JOB NO: 20-19-P092

SHEET
AV-902