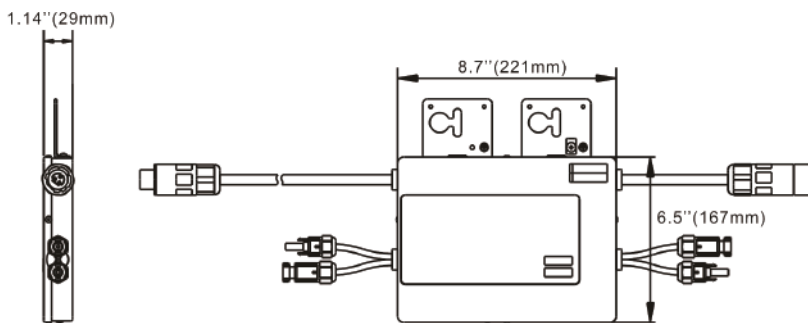


YC500A-CA Microinverter

- Single unit connects two solar modules
- Individual MPPT for each module
- Maximum output power 550W

*550W AC maximum output power special for Canada

DIMENSIONS



Our flagship product, the APsystems YC500A is a grid-tied microinverter with intelligent networking and monitoring systems to ensure maximum efficiency. Highly dependable and cost effective, the YC500A with dual MPPT for each channel. Half the inverters and half the installation means real cost savings for residential and commercial customers.



APsystems YC500A-CA Microinverter Datasheet

Input Data (DC per Channel)

MPPT Voltage Range	22V-45V
Operation Voltage Range	16V-52V
Maximum Input Voltage	55V
Startup Voltage	22V
Maximum Input Current	12A

Output Data (AC)

Maximum/ Continuous Output Power	550W/ 500W
Nominal Output Voltage	208V* 240V*
Nominal Output Current	2.4A 2.08A
Default / Extended Output Voltage Range	183V-229V** / 181V-298V 211V-264V** / 181V-298V
Nominal Output Frequency	60Hz
Default / Extended Output Frequency Range	59.3Hz-60.5Hz** / 55.1Hz-64.9Hz
Power Factor	>0.99
Total Harmonic Distortion	<3%
Maximum Units Per Branch	6 for 20A Breaker*** 7 for 20A Breaker***

Efficiency

Peak Efficiency	95.5%
CEC Weighted Efficiency	95%
Nominal MPPT Efficiency	99.5%
Night Power Consumption	120mW

Mechanical Data

Operating Ambient Temperature Range	-40°F to +149°F (-40°C to +65°C)
Storage Temperature Range	-40°F to +185°F (-40°C to +85°C)
Dimensions (W x H x D)	221mm x 167mm x 29mm (8.7" x 6.6" x 1.1")
Weight	2.5kg (5.5lbs)
AC Cable	12AWG
Enclosure Rating	NEMA 6
Cooling	Natural Convection - No Fans

Features & Compliance

Communication (Inverter To ECU)	Power Line Communication (PLC)
Monitoring	Via EMA Software
Grid Connection Compliance	IEEE1547
Safety Class Compliance	UL1741, CSA C22.2 No.107.1-01
Emissions & Immunity (EMC) Compliance	FCC Part15; ANSI C63.4;ICES-003

*The default AC output is 240V mode. For 208V mode, please set the AC output range through ECU.

**Programmable through ECU to meet customer need.

***Depending on the local regulations.

Specifications subject to change without notice - please ensure you are using the most recent update found at www.APsystems.com

© All Rights Reserved