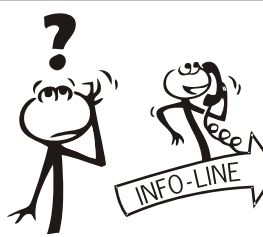
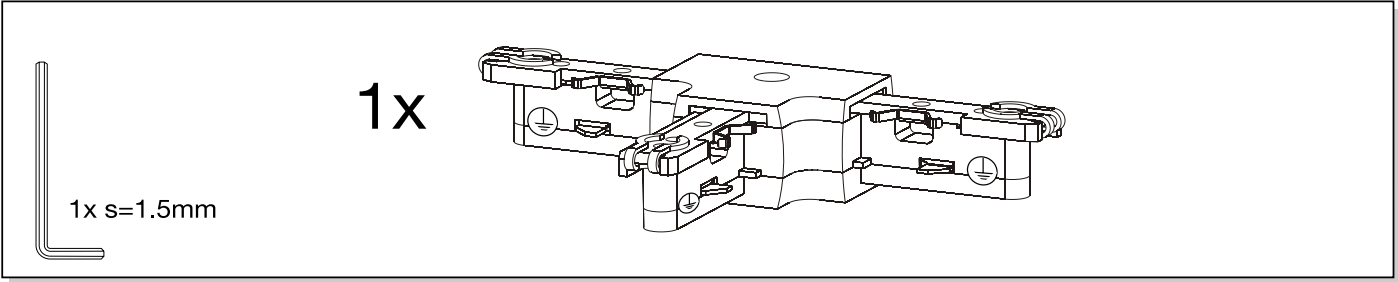
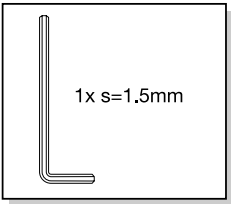
 **Safety Instructions**
0, 1, 2, 4, 6, 7, 8, 15,
18, 22

 **Paulmann Licht GmbH**
Quezinger Feld 2
D-31832 Springe
www.paulmann.com
+49 (0) 5041 998 389
Mon.-Do. ⌚ 7⁰⁰-20⁰⁰ ⌚
Fr. ⌚ 7⁰⁰-17⁰⁰ ⌚



A

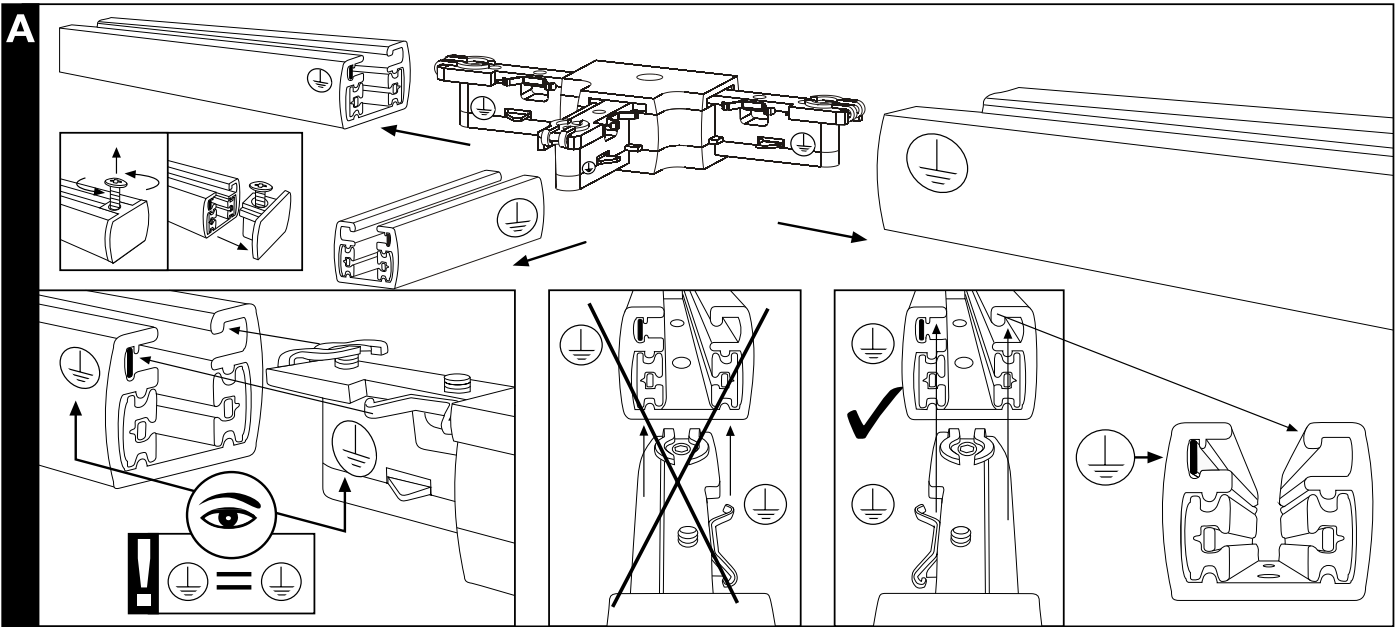


Diagram A illustrates the assembly of the central component into the profile. It shows the component being inserted into the profile. A warning icon (eye and lightning bolt) is present. A crossed-out diagram shows an incorrect connection, and a checked diagram shows the correct connection.

B

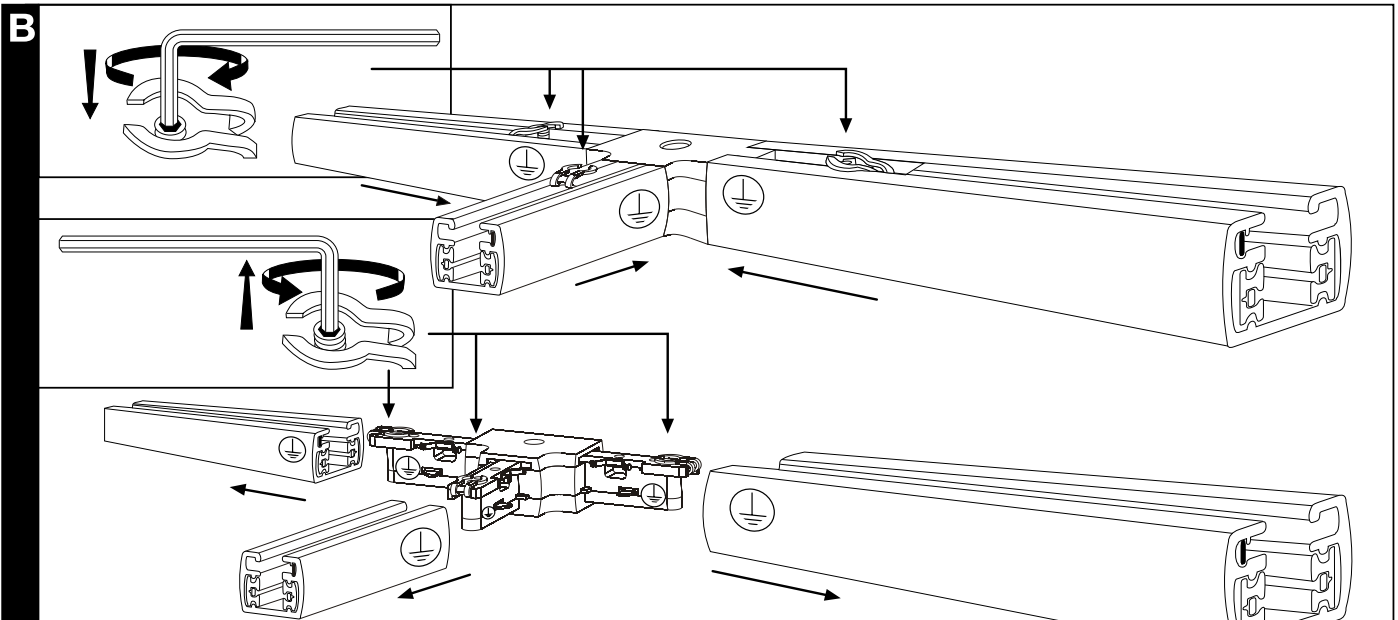


Diagram B illustrates the assembly of the profile into a larger housing. It shows the profile being inserted into the housing. A warning icon (eye and lightning bolt) is present.