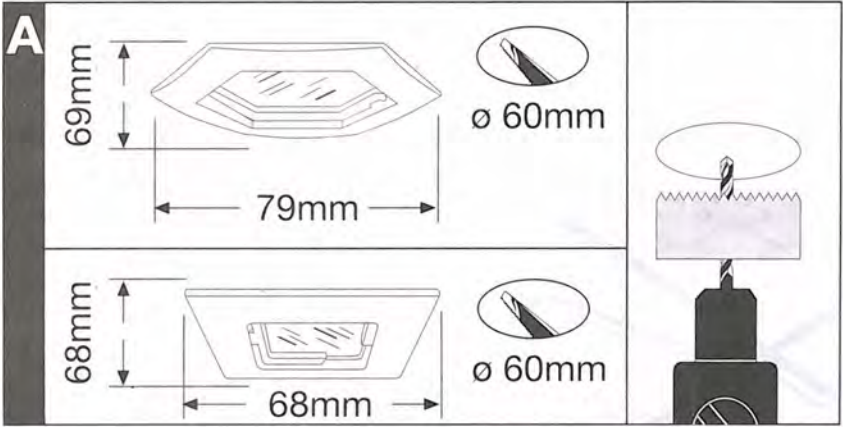
 **Safety Instructions**  
0, 1, 2, 4, 5b, 7, 8, 9, 11, 12, 15,  
16, 17, 19, 20, 21, 23, 25, 29

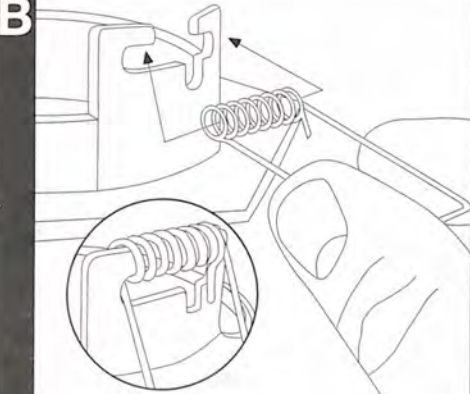
  **Paulmann Licht GmbH**  
Quezinger Feld 2  
D-31832 Springe  
[www.paulmann.com](http://www.paulmann.com)  
☎ +49 (0) 5041 998 389  
Mon. - Do. ☉ 7<sup>00</sup> - 20<sup>00</sup>  
Fr. ☉ 7<sup>00</sup> - 17<sup>00</sup>

**A**

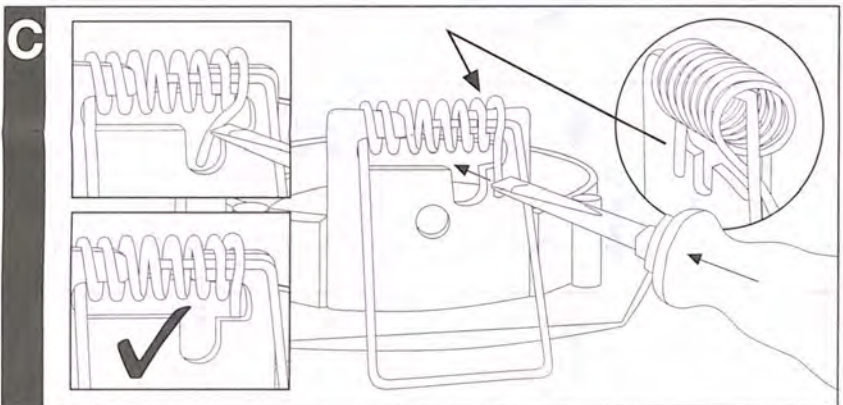


69mm  
79mm  
ø 60mm  
68mm  
68mm  
ø 60mm

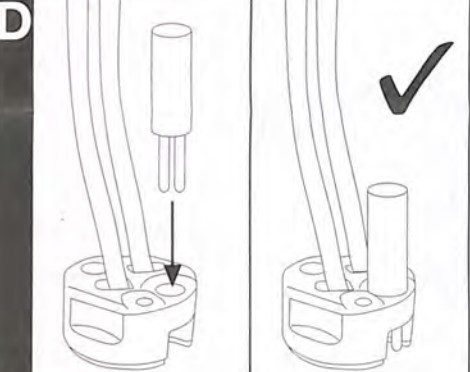
**B**



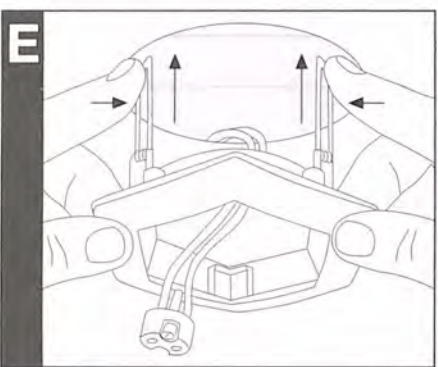
**C**



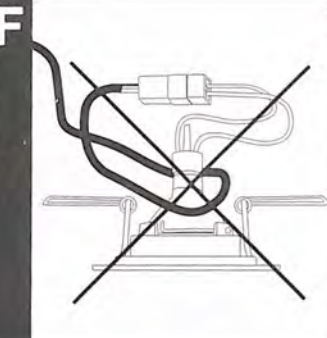
**D**



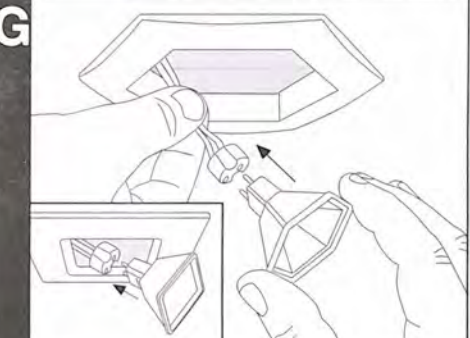
**E**



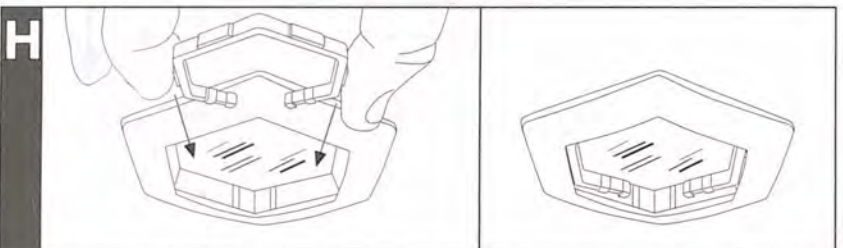
**F**



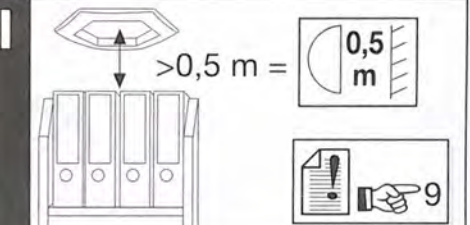
**G**




**H**

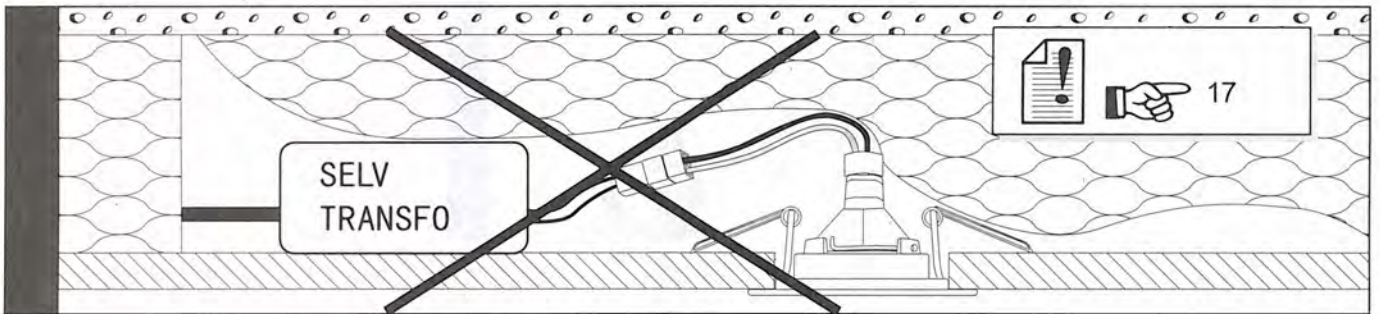
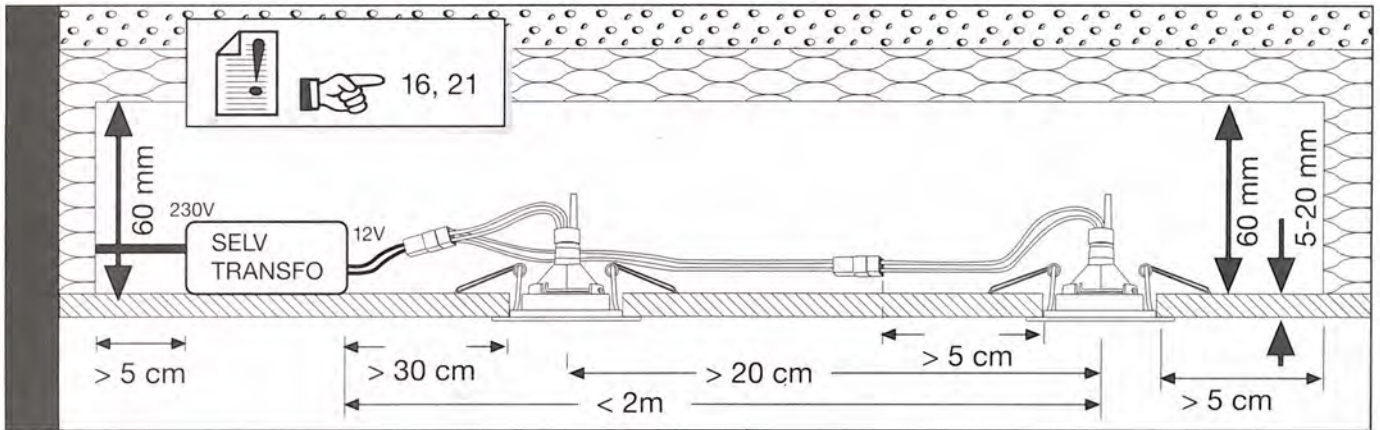


**I**



>0,5 m = 0,5 m





<p><b>COOL BEAM</b></p> <p><b>Paulmann</b></p> <p><b>SECURITY</b></p>	<p>°C</p>	<p>20 %</p> <p>80 %</p>	<p>Art. No.</p> <p>20 W 37mm GU5,3 833.45</p> <p>35 W 37mm GU5,3 833.46</p>
	<p>°C</p>	<p>60 %</p> <p>40 %</p>	<p>20 W 51mm GU5,3 833.47</p> <p>35 W 51mm GU5,3 833.48</p>

