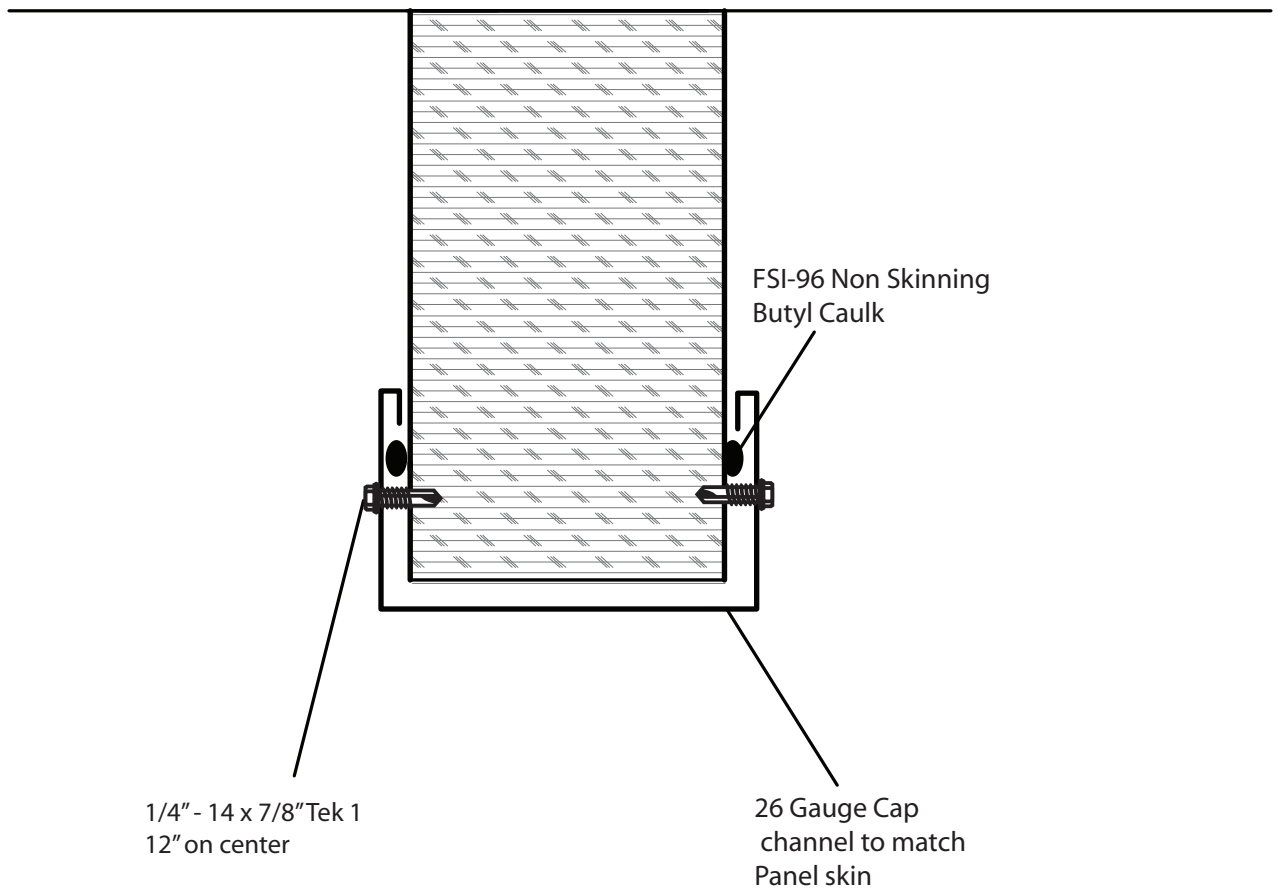


End Capped Panel

Top View



This detail is commonly used for this application; however, every building project is different. You should consult your building engineer to make sure this detail will work for your particular application.

PermaTherm

DETAIL: No. 2150
End Capped Panel

July 2012