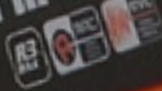




Ramset™

Ramset DD566
P.O. Box 192 Croydon
VIC 3198 Australia
230309 - 506082 1100W $n_g = 450 \text{ min}^{-1}$
Made in Germany
M249 ESV130886

Ramset
DynaDrill™ 566



Power Tools
Product Catalogue





Ramset™

Power Tools

Product Catalogue

Ramset™ have 35 years of experience and history in concrete drilling and cutting applications dealing, directly with everyday users. Our high performance range includes, DynaDrill™ Rotary Hammers, Cordless Tools, Carbide, Diamond Drilling Rigs and Accessories, Angle Grinders, Concrete Chaser and Laser Levels.



Selection Guide

4



Cordless Power Tools 18V & 28V

5

- Rotary Hammer - 18V
- Hammer Drill Driver - 18V
- Angle Grinder - 18V
- Impact Wrench - 18V
- Impact Driver - 18V
- Applicator - 18V
- Charger & Battery - 18V

A18
Lithium Ion

- Rotary Hammer - 28V
- Charger & Battery - 28V
- Accessories

A28
Lithium Ion



DynaDrill™ Corded Power Tools

18

- DynaDrill™ 522 - Combi Hammer
- DynaDrill™ 529 - Combi Hammer
- DynaDrill™ 533 - Combi Hammer
- DynaDrill™ 544 - Combi Hammer
- DynaDrill™ 566 - Combi Hammer
- DynaDrill™ 585 - Combi Hammer
- DynaDrill™ 611 - Demolition Hammer



Diamond Drilling Power Tools

30

- Diamond Drilling Motor - RM160
- Diamond Drilling Rig - Suits RM160 & RM250
- Diamond Drilling Kit - RM160 Kit
- Diamond Drilling Motor - RM250
- Diamond Drilling Rig - Suits RM250
- Diamond Core Bits
- Wet & Dry Vacuum 30L
- Accessories



Cutting & Grinding Power Tools

40

- Angle Grinders - 125mm
- Angle Grinder - 230mm
- Surface Grinder
- Wall Chaser
- Accessories - Diamond Blades and Cut Off Wheels

Which Ramset™ Rotary Hammer should I use?



	Concrete Drilling				Concrete Demolition		
	Corded						
	DD522	DD529	DD533	DD544	DD566	DD585	DD611
Rated Input (watt)	790	850	800	900	1100	1500	1700
Rated Speed (rpm)	0-1300	0-1300	0-900	0-760	0-520	0-305	-
Impact Rate (bpm)	0-4700	0-5100	0-4000	0-3600	0-3000	0-2760	900-1700
Impact Energy (joules)	2.7	3.2	3.5	5	6.5	12.5	23
Power Source (volt)	240V	240V	240V	240V	240V	240V	240V
Weight (kg)	2.8	3.1	3.6	4.7	6.8	8.9	11.4
Tool Holder	SDS Plus	SDS Plus	SDS Plus	SDS Plus	SDS Max	SDS Max	SDS Max
Drilling Range (mm) Concrete	4-24	4-28	4-28	6-32	14-40	14-45	-
Optimum Drilling (mm)	6-14	8-16	12-18	14-25	18-38	20-40	-
Drilling Range (mm) Steel	up to 13	up to 13	up to 13	up to 13			-
Timber (mm)	30	30	30	30			-
Core Cutting (mm)	68	68	82	68-90	40-125	40-125	-
Chiselling	✓	✓	✓	✓	✓	✓	✓
Screwdriving	✓	✓	✓	✓	✗	✗	✗
Safety Clutch	✓	✓	✓	✓	✓	✓	✓
Double Insulated	✓	✓	✓	✓	✓	✓	✓
Sealed Lub. System	✓	✓	✓	✓	✓	✓	✓
Variable Speed	✓	✓	✓	✓	✓	✓	✓
Reversing Switch	✓	✓	✓	✓	✗	✗	✗
Impact Resistant Body Mouldings	✓	✓	✓	✓	✓	✓	✓
Adjustable Side Handle	✓	✓	✓	✓	✓	✓	✓
Service Light Indicator				✓	✓	✓	✓
Electronic Monitoring					✓	✓	✓
Electro Pneumatic impact mechanism	✓	✓	✓	✓	✓	✓	✓
Quick Fit Chuck	Optional	Optional	Optional	Optional	✗	✗	✗
RRC System	✗	✗	✗	✗	✓	✗	✗
RVC System	✗	✗	✓	✓	✓	✓	✓
Vibration Reduction	✓	✓	✓	✓	✓	✓	✓

Concrete Drilling	
Cordless	
CRHR18	CRHR28
-	-
0-1100	0-1400
0-4100	0-4500
2.7	3.2
18V Battery	28V Battery
3.5	4.5
SDS Plus	SDS Plus
5-20	5-26
6-14	8-16
up to 13	up to 13
30	30
50	68
✓	✓
✗	✓
✓	✓
✓	✓
✓	✓
✓	✓
✓	✓
✓	✓
✓	✓
✓	✓
✓	✓
✗	✓
✗	✗
✗	✗
✓	✓

✓ Optimum Use ✗ Not Recommended



Cordless
Power Tools



Ramset™



Rotary Hammer

18V Four Mode Hammer



RamsetTM

Cordless Power Tools



SDS-Plus chuck

4 mode setting - drilling, hammer drilling, chiseling & neutral

Anti-Vibration System

Variable trigger for maximum drilling control

High powered servicable motor - 2.7J impact energy

A18
Lithium Ion

Description

The powerful Ramset™ R18 Lithium Ion cordless rotary hammer delivers the highest performance to weight ratio in it's class. Corded tool performance for a variety of concrete drilling applications.

Specification

Battery Pack	18 V / 4.0 Ah
Battery Type	Li-Ion
No-load Speed	0 - 1100 rpm
Blow Rate (Full-load)	0 - 4100 bpm
Impact Energy	2.7 J
Maximum Drill Diameters Concrete	20 mm
Masonry (Using Core Bit)	50 mm
Steel	13 mm
Wood	30 mm
Optimum Drilling Diameter - Concrete	6-14 mm
Tool Holder	SDS-Plus
Weight incl. Battery	3.5 kg

Rotary Hammer

Part No	Description	Order Qty
CRHR18	Rotary Hammer*	1
	18V Base Kit	
CBASEKITR18	2x Batteries CBATR18HD, 1x Charger CCR18, 1x Bag CKITBAG)	1 KIT

*Can be purchased as bare unit or as part of a kit.

Trades & Applications

	Builder	Plumber	Electrician
Drilling into Concrete	✓	✓	✓
Light Chiseling	✓	✓	



Features & Benefits

- High quality, 18V battery pack delivers superior performance and run time
- Powerful hammer mechanism delivers 2.7J of impact energy
- Enhanced anti-vibration system provides maximum operator comfort
- This versatile tool provides rotary hammer, hammer only and rotation only functions
- Variable position chisel stop
- All metal gearbox for durability
- 2 year warranty

Noise / Vibration Information

Sound pressure level:	88dB (A)
Sound power level:	99dB (A)

Wear ear and eye protection.
Vibration: The typical weighted acceleration does not exceed 12.2m/s² drill or 7.4m/s² chisel.

Related Products

Battery (4.0Ah Lithium Ion - CBATR18HD)
Charger (CCR18)
Carbide Drill Bits, Chisels & Cores

Hammer Drill Driver

18V Three Mode Percussion Drill



Cordless Power Tools



All metal single sleeve
13mm/ 1/2" tungsten
carbide jaw chuck

4 pole frameless
motor generates
high torque



Built in LED to
illuminate workspace

Large overmold
soft grip handle for
increased comfort

Belt clip

A18
Lithium Ion

Description

A powerful 18 volt combination tool for high torque drilling, screwdriving and percussion drilling.

Specification

Battery Pack	18 V / 4.0 Ah
Battery Type	Li-Ion
No Load Speed (1st gear / 2nd gear)	0 - 450 / 0 - 1800 rpm
Beats Per Minute (1st gear / 2nd gear)	0 - 7200 / 0 - 28000 bpm
Max. Drilling Capacity Steel / Wood / Masonry	13 / 38 / 16 mm
Torque Settings	24
Max Torque	75 Nm
Weight incl. Battery	2.6 kg



Hammer Drill Driver

Part No	Description	Order Qty
CHDDR18	Hammer Drill Driver*	1
	18V Base Kit	
CBASEKITR18	2x Batteries CBATR18HD, 1x Charger CCR18, 1x Bag CKITBAG)	1 KIT

*Can be purchased as bare unit or as part of a kit.

Features & Benefits

- 4 pole frameless motor generating a impressive 75Nm of torque
- Variable speed trigger for enhanced control
- Percussion drill mode for masonry and stone drilling
- 24 stage torque adjustment
- Spindle lock plus keyless chuck - convenient bit change with one hand
- Large ergonomic soft grip design for comfortable use
- 2 year warranty

Noise / Vibration Information

Sound pressure level:	75.5dB (A)
Sound power level:	86.5dB (A)

Wear ear and eye protection.
Vibration: The typical weighted acceleration does not exceed 11.6m/s².

Trades & Applications

	Builder	Plumber	Electrician	Carpenter	HVAC
Timber / Steel Drilling	✓	✓	✓	✓	✓
Masonry Drilling	✓	✓	✓	✓	✓
Screw Driving	✓	✓	✓	✓	✓

Related Products

Battery (4.0Ah Lithium Ion - CBATR18HD)
Charger (CCR18)
Driver Bits

Angle Grinder

18V Cutting & Finishing Tool



Cordless Power Tools



A18
Lithium Ion

Description

The Ramset R18 Lithium Ion cordless angle grinder is ideal for a variety of finishing jobs on the building site.

Specification

Battery Pack	18 V / 4.0 Ah
Battery Type	Li-Ion
No Load Speed (1st gear / 2nd gear)	9000 rpm
Max Disc Diameter	115 mm
Spindle Size	M14
Handle Positions	3
Weight incl. Battery	2.4 kg

Drill Driver

Part No	Description	Order Qty
CAGR18	Angle Grinder*	1
CBASEKITR18	18V Base Kit 2x Batteries CBATR18HD, 1x Charger CCR18, 1x Bag CKITBAG)	1 KIT

*Can be purchased as bare unit or as part of a kit.

Part No.	Description	Order Qty
CW115SU	Cut off wheel steel INOX 115mm	1



Features & Benefits

- 4 pole frameless motor delivers 9000 rpm
- Overload protection to protect the motor and the battery
- Paddle switch design mechanism increases control and comfort
- Dead man switch increases safety
- The large spindle lock provides fast and efficient wheel replacement
- Quick, tool free guard adjustment
- 2 year warranty

Noise / Vibration Information

Sound pressure level:	74.5dB (A)
Sound power level:	85.5dB (A)

Wear ear and eye protection.
Vibration: The typical weighted acceleration does not exceed 6.1m/s².

Trades & Applications

	Builder	Plumber	Electrician	HVAC
Concrete/Steel Cutting	✓	✓	✓	✓
Concrete/Steel Grinding	✓	✓	✓	✓

Related Products

Battery (4.0Ah Lithium Ion - CBATR18HD)
Charger (CCR18)

Impact Wrench

18V Heavy Duty Fastening Tool



Cordless Power Tools



Magnesium gear case for added durability and lighter weight

4 pole frameless motor generating 610Nm torque

Forward and reverse switch

Large soft grip handle for comfortable use

A18
Lithium Ion

Description

A powerful 18V impact wrench for fast and easy fastening of large construction anchors.

Specification

Battery Pack	18 V / 4.0 Ah
Battery Type	Li-Ion
No Load Speed	0 - 1900 rpm
Impact Rate	0 - 2200 ipm
Drive Shank Square	½" Square Drive
Torque	610 Nm
Spindle Ø	M14

Impact Wrench

Part No	Description	Order Qty
CIWR18	Impact Wrench*	1
CBASEKITR18	18V Base Kit 2x Batteries CBATR18HD, 1x Charger CCR18, 1x Bag CKITBAG)	1 KIT

*Can be purchased as bare unit or as part of a kit.

Trades & Applications

	Builder	Plumber	HVAC
Setting & Removing Anchors	✓	✓	✓



Features & Benefits

- Massive 610 Nm of torque
- Variable speed trigger for enhanced control
- Large soft grip handle reduces vibration and fatigue
- Dynamic brake stops unit immediately after switch is released for faster socket changes
- Magnesium gear case for added durability and lighter weight
- 2 year warranty

Noise / Vibration Information

Sound pressure level:	80dB (A)
Sound power level:	91dB (A)

Wear ear and eye protection.
Vibration: The typical weighted acceleration does not exceed 11.3m/s².

Related Products

Battery (4.0Ah Lithium Ion - CBATR18HD)
Charger (CCR18)
Hex Sockets

Impact Driver

18V Fixing & Fastening Tool



Cordless Power Tools



1/4" hex bit holder

Built in LED to illuminate workspace

Belt clip

High speed all metal gear and impact mechanism
160Nm torque

Forward and reverse switch

Soft grip handle for comfortable use

A18
Lithium Ion

Description

The Ramset R18 Lithium Ion cordless impact driver is a high speed and high torque tool for fixing and fastening applications.

Specification

Battery Pack	18 V / 4.0 Ah
Battery Type	Li-Ion
No Load Speed	0 - 2200 rpm
Beats Per Minute	0 - 3200 ipm
Bit Retention	1/4" Hex
Torque	158Nm
Weight incl. Battery	1.8kg



Impact Driver

Part No	Description	Order Qty
CIDR18	Impact Driver*	1
	18V Base Kit	
CBASEKITR18	2x Batteries CBATR18HD, 1x Charger CCR18, 1x Bag CKITBAG)	1 KIT

*Can be purchased as bare unit or as part of a kit.

Features & Benefits

- 4 pole frameless motor delivers 158Nm of torque
- 1/4" Hex bit holder
- Variable speed trigger for enhanced control
- LED lighting for working in dark spaces
- All metal gear and impact mechanism
- Large soft grip moulded handle for improved comfort
- 2 year warranty

Noise / Vibration Information

Sound pressure level:	78dB (A)
Sound power level:	89dB (A)

Wear ear and eye protection.
Vibration: The typical weighted acceleration does not exceed 2.8m/s².

Trades & Applications

	Builder	Plumber	Electrician	Carpenter	HVAC
Screw Driving	✓	✓	✓	✓	✓

Related Products

Battery (4.0Ah Lithium Ion - CBATR18HD)
Charger (CCR18)
Driver Bits

Cordless ChemSet™ Applicator

18V Cordless Application Tool



Cordless Power Tools



A18
Lithium Ion

Description

The powerful Ramset R18 Lithium Ion applicator is ideal for effortless dispensing of all Ramset Chemical injection products.

380ml, 600ml & 750ml cartridge capacity.
Reo502™, StructaSet™ 401,
ChemSet™ 801 and ChemSet™ 101.



Specification

Battery Pack	18 V / 4.0 Ah
Battery Type	Li-Ion
Maximum Dispensing Rate	0 - 533ml/min.
Dispensing Force	430kg
Cartridge Capacity	380ml, 600ml & 750ml

Applicator

Part No	Description	Order Qty
CUAR18	18V Powered Applicator	1 TOOL
CR18-CUA	18V Powered Applicator 2x Batteries CBATR18HD, 1x Charger CCR18,	1 KIT

Features & Benefits

- Variable speed trigger for enhanced control
- Anti-Drip mechanism instantly stops material dripping upon trigger release
- Adjustable speed control
- Robust, all metal gear system
- Class leading dispensing performance

Related Products

Battery (4.0Ah Lithium Ion - CBATR18HD)
18V Charger (CCR18)
Reo502™, StructaSet™ 401, ChemSet™ 801 and ChemSet™ 101

Charger & Battery

18V Power Supply



Ramset™

Cordless Power Tools



A18
Lithium Ion

Description

Lithium-Ion Battery & 18V charger.

Specification

Battery Pack	18V 4.0 Ah
Battery Type	Li-Ion
Charger Power Supply	240 V
Weight (Battery)	0.68 Kg
Weight (Charger)	0.66 Kg

Charger & Battery

Part No	Description	Order Qty
CBATR18HD	18V 4.0Ah Battery	1
CCR18	18V Charger	1

Batteries and charger can be purchased as individual items or as part of a base kit.



Features & Benefits

- Battery fuel gauge LED's light-up showing how much charge is left
- Heavy duty construction withstands up to a 2 metre drop
- Consistent "Fade Free" power throughout the discharge cycle
- Generator and inverter ready design
- Encapsulated circuit board protects charger from debris, moisture and impacts
- High visibility, 360° degree LED indicates charge status
- Design protects battery during charge cycle, prevents tipping and is wall mountable
- 45 minute charge time
- Durable non slip rubber footprint prevents slipping and protect against impacts
- 2 year warranty

Related Products

18V Tool Range

18V Base Kit

Cordless Power Tools



Cordless Power Tools

BASE KIT INCLUDES:

- 1 x Charger (CCR18) ,
- 2 x 18V Batteries (CBATR18HD),
- and 1 x Kit Bag (CKITBAG)



A18
Lithium Ion

Add any number of bare unit tools to the "Base Kit" to suit your trade requirements.



Description

18V cordless range base tool kit. Add tools to this base kit.

Specification

Battery Pack	18 V / 4.0 Ah
Battery Type	Li-Ion

18V Base Kit

Part No	Description	Order Qty
CBASEKITR18	18V Base Kit 2x Batteries CBATR18HD, 1x Charger CCR18, 1x Bag CKITBAG)	1 KIT

Items can also be purchased individually.

2 Year Warranty

Every Ramset™ 18 Volt Lithium-Ion power tool (including battery charger) is warranted to the original purchaser only to be free from defects in material and workmanship. Subject to certain exceptions, Ramset™ will repair or replace any part on a 18 Volt Lithium-Ion power tool which, after examination, is determined by Ramset™ to be defective in material or workmanship for a period of two (2) years* after the date of purchase. Return the 18 Volt Lithium-Ion power tool and a copy of proof of purchase to the Ramset™ National Service Centre, freight prepaid and insured, as requested for this warranty to be effective. This warranty does not apply to damage that Ramset™ determines to be from repairs made or attempted by anyone other than Ramset™ authorized personnel, misuse, alterations, abuse, normal wear and tear, lack of maintenance, or accidents.

*The warranty period for Li-Ion battery packs is two (2) years from the date of purchase.

Our goods come with guarantees that cannot be excluded under the Australian and New Zealand Consumer Laws. You are entitled to a replacement or refund for a major failure and for compensation for any other reasonably foreseeable loss or damage. You are also entitled to have the goods repaired or replaced if the goods fail to be of acceptable quality and the failure does not amount to a major failure.

Rotary Hammer

28V Four Mode Hammer



RamsetTM

Cordless Power Tools

AU ONLY

SDS-Plus chuck with quick change system for 3 jaw chuck

4 mode setting - drilling, hammer drilling, chiseling & neutral

Variable trigger for maximum drilling control



28V delivers high powered 3.2J impact of energy

A28
Lithium Ion

Description

Powerful RamsetTM 28V cordless rotary hammer delivers corded tool performance for a variety of concrete drilling applications.

Specification

Battery Pack	28 V / 3.0 Ah
Battery Type	Li-Ion
No-load Speed	0 - 1400 rpm
Blow Rate (Full-load)	0 - 4500 bpm
Impact Energy	3.2 J
Maximum Drill Diameters	
Concrete	26 mm
Masonry (Using Core Bit)	68 mm
Steel	13 mm
Wood	30 mm
Optimum Drilling Diameter - Concrete	8-16 mm
Tool Holder	SDS-Plus

Rotary Hammer

Part No	Description	Order Qty
CRHR28	Rotary Hammer	1
	18V Base Kit	
CBASEKITR28	2x Batteries CBATR28, 1x Charger CCR28, 1x Bag CKITBAG)	1 KIT

Trades & Applications

	Builder	Plumber	Electrician
Drilling into Concrete	✓	✓	✓
Light Chiseling	✓	✓	



Features & Benefits

- High quality, large capacity 28V battery pack for fade free energy transfer and enhanced performance
- L-shape construction for perfect balance and control
- 4 mode - drilling, hammerdrilling, chiselling and neutral index
- All metal gearbox for durability
- High speed / maximum impact energy with safety clutch
- Block construction for exact seating of bearings and maximum robustness
- 2 year warranty

Noise / Vibration Information

Sound pressure level:	94dB (A)
Sound power level:	105dB (A)

Related Products

Battery (3.0Ah Lithium Ion - CBATR28)
Charger (CCR28)
Carbide Drill Bits, Chisels & Cores

Charger & Battery

28V Power Supply



Ramset™

Cordless Power Tools



LED charge indication

Heavy duty construction withstands 2 metre drop

Slide rail ensures secure connection to the tool

Easy to operate release latches

Rubberized feet keeps in place on slick surfaces

A28
Lithium Ion

Description

3.0 Ah Lithium-Ion Battery 28V charger.

Specification

Battery Pack	28 V / 3.0 Ah
Battery Type	Li-Ion
Charger Power Supply	240 V
Weight (Battery)	1.0 Kg
Weight (Charger)	0.85 Kg

Charger & Battery

Part No	Description	Order Qty
CBATR28	28V 3.0Ah Battery	1
CCR28	28V Charger	1

Batteries and charger can be purchased as individual items or as part of a base kit.



Features & Benefits

- Battery fuel gauge LED's light-up showing how much charge is left
- Heavy duty construction withstands up to a 2 metre drop
- Consistent "Fade Free" power throughout the discharge cycle
- Generator and inverter ready design
- Encapsulated circuit board protects charger from debris, moisture and impacts
- High visibility, 360° LED indicates charge status
- Design protects battery during charge cycle, prevents tipping and is wall mountable
- 45 minute charge time
- Durable non slip rubber footprint prevents slipping and protect against impacts
- 2 year warranty (see page 16)

Related Products

18V Tool Range

28V Base Kit

Cordless Power Tools



Cordless Power Tools

BASE KIT INCLUDES:

- 1 x Charger (CCR28) ,
- 2 x 18V Batteries (CBATR28) ,
- 1 x 18V Torch (CTR28) and 1 x Kit Bag (CKITBAG)



A28
Lithium Ion



Description

28V cordless range base tool kit. Add tools to this base kit.

Specification

Battery Pack	28 V / 3.0 Ah
Battery Type	Li-Ion

18V Base Kit

Part No	Description	Order Qty
	18V Base Kit	
CBASEKITR28	2x Batteries CBATR28, 1x Charger CCR28, 1x Bag CKITBAG)	1 KIT

Items can also be purchased individually.

2 Year Warranty

Every Ramset™ 28 Volt Lithium-Ion power tool (including battery charger) is warranted to the original purchaser only to be free from defects in material and workmanship. Subject to certain exceptions, Ramset™ will repair or replace any part on a 28 Volt Lithium-Ion power tool which, after examination, is determined by Ramset™ to be defective in material or workmanship for a period of two (2) years* after the date of purchase. Return the 28 Volt Lithium-Ion power tool and a copy of proof of purchase to the Ramset™ National Service Centre, freight prepaid and insured, as requested for this warranty to be effective. This warranty does not apply to damage that Ramset™ determines to be from repairs made or attempted by anyone other than Ramset™ authorized personnel, misuse, alterations, abuse, normal wear and tear, lack of maintenance, or accidents.

*The warranty period for Li-Ion battery packs is two (2) years from the date of purchase.

Our goods come with guarantees that cannot be excluded under the Australian and New Zealand Consumer Laws. You are entitled to a replacement or refund for a major failure and for compensation for any other reasonably foreseeable loss or damage. You are also entitled to have the goods repaired or replaced if the goods fail to be of acceptable quality and the failure does not amount to a major failure.

Hex Sockets

Part No.	Driver Type	Order Qty
IS12010	10mm Socket	1
IS12013	13mm Socket	1
IS12015	15mm Socket	1
IS12016	16mm Socket	1
IS12017	17mm Socket	1
IS12018	18mm Socket	1
IS12019	19mm Socket	1
ISD12010	10mm Long Socket	1
ISD12013	13mm Long Socket	1
ISD12015	15mm Long Socket	1
ISD12016	16mm Long Socket	1
ISD12017	17mm Long Socket	1
ISD12018	18mm Long Socket	1
ISD12019	19mm Long Socket	1



Cut Off & Grinding Wheels

Part No.	Description	Order Qty
CW115SU	Cut off wheel steel INOX 115mm	1
CW125SU	Cut off wheel steel INOX 125mm	1
CW115S	Cut off wheel steel 115mm	1
CW125S	Cut off wheel steel 125mm	1
CW230S	Cut off wheel steel 230mm	1





DynaDrill™
Corded Power Tools



Ramset™



DynaDrill™ 522

2kg Combi Hammer



DynaDrill™ Corded Power Tools



Description

The Ramset DynaDrill™ 522 Combi Hammer is the ideal tool choice for all those common drilling applications whether into concrete, timber or steel.

Specification

Voltage	240V
Power Input	790w
Rated Speed	0-1300rpm
Impact Rate	0-4700bpm
Impact Force (Max)	2.7J
Maximum Drill Diameters	
Concrete	24 mm
Masonry (using Core Bit)	68 mm
Steel	13 mm
Wood	30 mm
Optimum Drilling Size in Concrete	6-14 mm
Weight	2.8Kg
Tool Holder	SDS-Plus

DynaDrill™ 522

Part No.	Description	Order Qty
DD522	2kg Electro Pneumatic Hammer	1

Trades & Applications

	Builder	Plumber	Electrician
Drilling into concrete	✓	✓	✓
Removing Tiles (light chiseling)	✓	✓	✓
Core Cutting	✓	✓	✓

Features & Benefits

- 790W Motor
- 2.7 Joules of impact energy
- Block construction. Reliable and durable housing
- Forward and reverse rotation
- Depth gauge
- Chisel function
- Rotating brush plate for equal power in forward and reverse mode

Noise / Vibration Information

Sound pressure level:	91dB (A)
Sound power level:	102dB (A)

Wear ear and eye protection.
Vibration: The typical weighted acceleration does not exceed 17m/s² or 13m/s² chisel.

Related Products

Carbide Drill Bits, Chisels and Cores

DynaDrill™ 529

2kg Combi Hammer



DynaDrill™ Corded Power Tools



Description

The Ramset DynaDrill™ 529 Combi Hammer is truly the class leading 2kg tool on the market. The tool of choice with its powerful motor, enhanced anti vibration and the versatility of the quick change chuck system.

Specification

Voltage	240V
Power Input	850w
Rated Speed	0-1300rpm
Impact Rate	0-5100bpm
Impact Force (Max)	3.2J
Maximum Drill Diameters	
Concrete	28mm
Masonry (using Core Bit)	68mm
Steel	13mm
Wood	30mm
Optimum Drilling Size in Concrete	8-16mm
Weight	3.1Kg
Tool Holder	SDS Plus

DynaDrill™ 529

Part No.	Description	Order Qty
DD529	2kg Electro Pneumatic Hammer	1

Trades & Applications

	Builder	Plumber	Electrician
Drilling into concrete	✓	✓	✓
Removing Tiles (light chiseling)	✓	✓	
Core Cutting	✓	✓	✓



Features & Benefits

- Powerful 850W Motor
- Class leading drilling rates and chisel performance
- Substantially improved vibration reduction
- Rotating brush plate for same power in forward or reverse mode
- Rotation stop for chiselling
- Quick change chuck system

Noise / Vibration Information

Sound pressure level:	91dB (A)
Sound power level:	102dB (A)

Wear ear and eye protection.
Vibration: The typical weighted acceleration does not exceed 11m/s² drill

Related Products

3 Jaw Keyless Chuck (054288)
Carbide Drill Bits, Chisels and Cores

DynaDrill™ 533

3kg Combi Hammer



DynaDrill™ Corded Power Tools



Description

The Ramset DynaDrill™ 533 sets new standards for a 3kg combi hammer. Its ergonomic drop motor design gives the tool a more balance feel and delivers the additional performance when stepping up from a 2kg tool.

Specification

Voltage	240V
Power Input	800w
Rated Speed	0-900rpm
Impact Rate	0-4000bpm
Impact Force (Max)	3.5J
Maximum Drill Diameters	
Concrete	28mm
Masonry (using Core Bit)	82mm
Steel	13mm
Wood	30mm
Optimum Drilling Size in Concrete	12-18mm
Chiseling Positions	
Weight	3.6kg
Tool Holder	SDS-Plus

DynaDrill™ 533

Part No.	Description	Order Qty
DD533	3kg Electro Pneumatic Hammer	1

Trades & Applications

	Builder	Plumber	Electrician
Drilling into concrete	✓	✓	✓
Removing Tiles (light chiseling)	✓	✓	✓
Core Cutting	✓	✓	✓

Features & Benefits

- Powerful 800W Motor
- Class leading drilling and chiseling performance
- Low vibration due to the Ramset vibration control system
- Balanced weight distribution as a result of the L shaped design
- Quick change chuck system
- Rotation stop for chiselling

Noise / Vibration Information

Sound pressure level:	91dB (A)
Sound power level:	102dB (A)

Wear ear and eye protection.
Vibration: The typical weighted acceleration does not exceed 12m/s² or 11m/s² chisel.

Related Products

3 Jaw Keyless Chuck (054288)
Carbide Drill Bits, Chisels & Cores

DynaDrill™ 544

4kg Combi Hammer



DynaDrill™ Corded Power Tools



Description

The Ramset™ DynaDrill™ 544 is a class leading 4kg combi hammer drill in terms of performance and vibration reduction mechanisms. A robust and ergonomic design makes it the ideal tool for volume drilling in concrete, light picking and chiselling.

Specification

Voltage	240V
Power Input	900w
Rated Speed	0-760rpm
Impact Rate	0-3600bpm
Impact Force (Max)	5.0J
Maximum Drill Diameters	
Concrete	32mm
Masonry (using Core Bit)	90mm
Steel	13mm
Wood	30mm
Optimum Drilling Size in Concrete	14-25mm
Chiselling Positions	12
Weight	4.7Kg
Tool Holder	SDS Plus

DynaDrill™ 544

Part No.	Description	Order Qty
DD544	4kg Electro Pneumatic Hammer	1

Kit includes: Shock proof case, lubricating oil and instruction manual

Trades & Applications

	Builder	Plumber	Electrician
Drilling into concrete	✓	✓	✓
Removing Tiles (light chiseling)	✓	✓	✓
Core Cutting	✓	✓	✓



Features & Benefits

- Vibration damping mechanism for super smooth operation
- Quick lock keyless bit exchange
- Reverse switch
- Electro pneumatic impact mechanism
- In-built safety clutch providing operator protection should a drill bit jam.
- Soft grip, back and side handle for safe and fatigue free operations
- Finger tip control for point start accuracy with variable speed adjustment
- Sealed lubrication system for extended service intervals

Noise / Vibration Information

Sound pressure level:	93dB (A)
Sound power level:	104dB (A)

Wear ear and eye protection.
Vibration: The typical weighted acceleration does not exceed 10m/s² drill or 9m/s² chisel.

Related Products

3 Jaw Keyless Chuck (054288)
Carbide Drill Bits, Chisels & Cores

DynaDrill™ 566

6kg Combi Hammer



Description

The Ramset™ DynaDrill™ 566 is a powerful and versatile Combi-Hammer designed to get through the toughest jobs with ease. The DD566 incorporates many new and innovative technologies such as vibration and rotation control which make the tool more comfortable and safer for the operator. This is the ideal tool for those that require high productivity and lifetime from a large Combi-Hammer.

Specification

Voltage	240V
Power Input	1,100w
Rated Speed	0-520rpm
Impact Rate	0-3,000bpm
Impact Force (Max)	6.5J
Maximum Drill Diameters	
Concrete	45 mm
Masonry (using Core Bit)	125 mm
Optimum Drilling Size in Concrete	18-38mm
Chiselling Positions	16
Weight	6.8Kg
Tool Holder	U3™ & R3™ Max
Cable Length	4m

DynaDrill™ 566

Part No.	Description	Order Qty
DD566	6kg Electro Pneumatic Combi Hammer	1

Kit includes: Shock proof case, lubricating oil and instruction manual 1x Carbide drill, 1x point chisel

Trades & Applications

	Builder	Plumber	Electrician
Drilling into concrete	✓	✓	✓
Removing Tiles (light chiseling)	✓	✓	✓
Core Cutting	✓	✓	✓



Features & Benefits

- Powerful and robust 1,100W Combi Hammer provides extended tool lifetime under the toughest working conditions.
- Vibration damping systems built into the tool holder, rear and auxiliary handles deliver exceptionally low vibration values for a tool in this class.
- New Rotation Control system stops the tool immediately upon the drill bit jamming providing the highest level of safety for the operator.
- New one hand chuck system
- High removal rates, exceptional power to weight ratio
- An ergonomically designed and well balanced tool.
- Horizontal and vertical drilling level gauge for accurate drilling.
- Power LED indicator and service LED indicator

Noise / Vibration Information

Sound pressure level:	93dB (A)
Sound power level:	104dB (A)

Wear ear and eye protection.
Vibration: The typical weighted acceleration does not exceed 8.2m/s² for drilling and 9.1m/s² for chiseling.

Related Products

Carbide Drill Bits, Chisels & Cores

DynaDrill™ 585

8kg Combi Hammer



Ramset™

DynaDrill™ Corded Power Tools

NEW



Description

The Ramset™ DynaDrill™ 585 is our largest ever Combi-Hammer at 8kg. Robustly designed for large diameter drilling and chiselling in concrete. It's high performance drilling rate and three way anti-vibration systems ensure it is one of the most productive and safest tools on the worksite.

Specification

Voltage	240V
Power Input	1,500W
Rated Speed	0 - 305rpm
Impact Rate	1,380 - 2,760bpm
Impact Force (Max)	12.5J
Maximum Drill Diameters	
Concrete	45 mm
Masonry (using Core Bit)	125 mm
Optimum Drilling Size in Concrete	20-40mm
Machine Weight	8.9kg
Chiselling Positions	12
Tool Holder	U3™ & R3™ Max
Cable Length	4m

DynaDrill™ 585

Part No.	Description	Order Qty
DD585	8kg Electro Pneumatic Combi Hammer	1

Kit includes: Shock proof case, lubricating oil and instruction manual

Trades & Applications

	Builder	Plumber	Electrician
Drilling into concrete	✓	✓	✓
Chiseling/Breaking	✓	✓	✓
Core Cutting	✓	✓	✓



Features & Benefits

- 1500W Motor with 12.5J of Impact Energy delivers the best possible drilling and chiselling performance
- Turbo Function utilises the power which is normally used in drilling mode for chiselling
- RVC Anti-Vibration Systems include a de-coupled main handle, a mass damper and anti-vibration impact mechanism
- Auto Lock-On function increases operator comfort while chiselling
- Six position speed dial for adjusting impact force to base material

Noise / Vibration Information

Sound pressure level:	96dB (A)
Sound power level:	107dB (A)

Wear ear and eye protection.
Vibration: The typical weighted acceleration does not exceed 8m/s² when drilling or 7m/s² when chiseling.

Related Products

U3 & R3 Max Carbide Drill Bits, Chisels & Cores and Dustless Drill bits

DynaDrill™ 611

11kg Demolition Hammer



DynaDrill™ Corded Power Tools

NEW



Description

The Ramset™ DynaDrill™ 611 is the new in-line 11kg demolition hammer. With its powerful motor and high impact energy it has one of the best performance to weight ratios in its class. It's all new in-line design makes it ideal for heavy duty demolition jobs.

Specification

Voltage	240V
Power Input	1,700w
Impact Rate	900-1,700bpm
Impact Force (Max)	23J
Chiselling Positions	12
Weight	11.4Kg
Tool Holder	R3™ Max
Cable Length	4m

DynaDrill™ 611

Part No.	Description	Order Qty
DD611	11kg Demolition Hammer	1

Kit includes: Shock proof case, lubricating oil and instruction manual

Trades & Applications

	Builder	Plumber	Electrician
Concrete Breaking	✓	✓	✓



Features & Benefits

- High performance to weight ratio with 1700W motor and 23J of impact energy.
- In-line design optimizes the tools centre of gravity making it ideal for downward demolition applications.
- Ramset Vibration Control (RVC) controls vibration levels to only 8m/s²
- Adjustable impact force to match base material
- Vario-Lock mechanism for adjusting the chisel angle into one of 12 different positions

Noise / Vibration Information

Sound power level:	103dB (A)
Sound pressure level:	92dB (A)

Wear ear and eye protection.
Vibration: The typical weighted acceleration does not exceed 8.0m/s²

Related Products

R3 Max Chisels

Accessories

Carbide, Drill Bits & Chisels



Ramset™

● UNIQUE DESIGN UNIVERSAL APPLICATION ● ULTIMATE PERFORMANCE



Undulating tip design*

- Reduce contact line
- Extreme drilling progress



Fully embedded cutting element

- High strength durable head
- Comfortable smooth drilling



Extra-long centering cutting edge*

- Improved durability



Two-point centering*

- Optimum drilling performance
- Two-point centering with recess



Clear wear marking

- Accurate drill hole diameter
- Extreme drilling progress
- Extremely high service life



Curved cutting edge*

- Wide carbide blades
- Extremely high service life



U3™ Ultimate (Tri-Cutter) Carbide Drill Bits



Part No.	Diameter (mm/inch)	Work Length (mm)	Total Length (mm)	Use with DD522	Use with DD529	Use with DD533	Use with DD544	Use with CRHR18	Use with CRHR28
DDU305050	5	50	110	◆	◆	◆	✗	◆	◆
DDU305100	5	100	160	◆	◆	◆	✗	◆	◆
DDU306050	6	50	110	✓	◆	◆	◆	✓	◆
DDU306100	6	100	160	✓	◆	◆	◆	✓	◆
DDU306150	6	150	210	✓	◆	◆	◆	✓	◆
DDU306050X3	1/4"	50	110	✓	◆	◆	◆	✓	◆
DDU306100X3	1/4"	100	160	✓	◆	◆	◆	✓	◆
DDU306150X3	1/4"	150	210	✓	◆	◆	◆	✓	◆
DDU308100	8	100	160	✓	✓	◆	◆	✓	✓
DDU308150	8	150	210	✓	✓	◆	◆	✓	✓
DDU310100	10	100	160	✓	✓	◆	◆	✓	✓
DDU310200	10	200	260	✓	✓	◆	◆	✓	✓
DDU312150	12	150	210	✓	✓	✓	◆	✓	✓
DDU312250	12	250	310	✓	✓	✓	◆	✓	✓
DDU313200	13	200	250	✓	✓	✓	◆	✓	✓
DDU314200	14	200	250	✓	✓	✓	✓	✓	✓
DDU316200	16	200	250	◆	✓	✓	✓	◆	✓
DDU316400	16	400	450	◆	✓	✓	✓	◆	✓

✓ Optimum Use ◆ Outside Optimum ✗ Not Recommended

R3™ PLUS patented carbide drill bits are the perfect match for your Ramset™ DynaDrill™ or cordless rotary hammer. Together, they form a powerful concrete drilling system to get the job done faster. R3™ PLUS carbide comprises tough tungsten carbide head design and 4 spiral flutes for faster waste removal and drilling speed. R3™ PLUS Carbide and Chisels fit all SDS Plus machines .

R3™ PLUS carbide drill bits are also available with 4 cutter heads for greater performance and drilling accuracy.



Standard (2 Cutter) Carbide Drill Bits



Part No.	Diameter (mm/inch)	Work Length (mm)	Total Length (mm)	Use with DD522	Use with DD529	Use with DD533	Use with DD544	Use with CRHR18	Use with CRHR28
DDR305050	5	50	110	◆	◆	◆	✗	◆	◆
DDR305100	5	100	160	◆	◆	◆	✗	◆	◆
DDR305065X5	5.5	80	140	◆	◆	◆	✗	◆	◆
DDR305125X5	5.5	150	210	◆	◆	◆	✗	◆	◆
DDR306050	6	50	110	✓	◆	◆	◆	✓	◆
DDR306100	6	100	160	✓	◆	◆	◆	✓	◆
DDR306150	6	150	210	✓	◆	◆	◆	✓	◆
DDR306050X3	1/4"	50	110	✓	◆	◆	◆	✓	◆
DDR306100X3	1/4"	100	160	✓	◆	◆	◆	✓	◆
DDR306150X3	1/4"	150	210	✓	◆	◆	◆	✓	◆
DDR308065	8	100	160	✓	✓	◆	◆	✓	✓
DDR308150	8	150	210	✓	✓	◆	◆	✓	✓
DDR310100	10	100	160	✓	✓	◆	◆	✓	✓
DDR310180	10	200	260	✓	✓	◆	◆	✓	✓
DDR310400	10	400	460	✓	✓	◆	◆	✓	✓
DDR312125	12	150	210	✓	✓	✓	◆	✓	✓
DDR312250	12	250	310	✓	✓	✓	◆	✓	✓
DDR312400	12	400	460	✓	✓	✓	◆	✓	✓
DDR312125X7	1/2"	150	210	✓	✓	✓	◆	✓	✓
DDR314200	14	200	250	✓	✓	✓	✓	✓	✓
DDR315150	15	150	200	◆	✓	✓	✓	◆	✓
DDR316125	16	150	200	◆	✓	✓	✓	◆	✓
DDR316200	16	200	250	◆	✓	✓	✓	◆	✓
DDR316400	16	400	450	◆	✓	✓	✓	◆	✓

✓ Optimum Use ◆ Outside Optimum ✗ Not Recommended



Carbide Drill Bits (Y Cutter)



Part No.	Diameter (mm/inch)	Work Length (mm)	Total Length (mm)	Use with DD522	Use with DD529	Use with DD533	Use with DD544	Use with CRHR18	Use with CRHR28
DQR318200	18	200	250	◆	◆	✓	✓	◆	◆
DQR318400	18	400	460	◆	◆	✓	✓	◆	◆
DQR319250	19	250	310	◆	◆	◆	✓	◆	◆
DQR320200	20	200	250	◆	◆	◆	✓	◆	◆
DQR320400	20	400	450	◆	◆	◆	✓	◆	◆
DQR322200	22	200	250	◆	◆	◆	✓	✗	◆
DQR322400	22	400	450	◆	◆	◆	✓	✗	◆
DQR324200	24	200	250	◆	◆	◆	✓	✗	◆
DQR324400	24	400	450	◆	◆	◆	✓	✗	◆
DQR325400	25	400	450	✗	◆	◆	✓	✗	◆
DQR326200	26	250	300	✗	◆	◆	◆	✗	◆
DQR326400	26	400	450	✗	◆	◆	◆	✗	◆

✓ Optimum Use ◆ Outside Optimum ✗ Not Recommended



R3™ Plus Dust-Extracting Carbide Tipped Drill Bits

COMING SOON



Item Code	Diameter	Work Length (mm) x Total Length (mm)	Pack Qty	Use with DD522	Use with DD529	Use with DD533	Use with DD544	Use with CRHR18	Use with CRHR28
DDER12200	12	200 x 320	1	✓	✓	✓	◆	✓	✓
DDER14250	14	250 x 370	1	✓	✓	✓	✓	✓	✓
DDER16250	16	250 x 370	1	◆	✓	✓	✓	◆	✓
DDER18250	18	250 x 370	1	◆	◆	✓	✓	◆	◆
DDER20250	20	250 x 370	1	◆	◆	◆	✓	◆	◆
DDER24250	24	250 x 370	1	◆	◆	◆	✓	◆	◆



Chisels



Part No.	Type	Width (mm)	Total Length (mm)	Use with DD522	Use with DD529	Use with DD533	Use with DD544
DHR3PCS	Point	-	250	✓	✓	✓	✓
DHR3FCS	Flat	20	250	✓	✓	✓	✓
DHR3SC040	Spade	40	250	✓	✓	✓	✓

✓ Optimum Use



U3™ Ulitmate (Tri-Cutter) Carbide Drill Bits



Part No.	Diameter (mm)	Work Length (mm)	Total Length (mm)	Use with DD566	Use with DD585
DDUM12200	12	200	340	✓	◆
DDUM12400	12	400	540	✓	◆
DDUM14200	14	200	340	✓	◆
DDUM14400	14	400	540	✓	◆
DYUM16200	16	200	340	✓	◆
DYUM16400	16	400	540	✓	◆

✓ Optimum Use ◆ Outside Optimum ✗ Not Recommended



Carbide Drill Bits (Y-Cutter)



R3™ MAX Carbide Drill Bits and Chisels are tough, long-life and designed to also fit all SDS Max machines.

R3™ MAX Drill Bits have precision engineered cutting and cleaning flutes for efficient and trouble free drilling providing a long life solution.

*Larger sizes above 16mm diameter have 4 tungsten carbide cutter heads for efficient heavy duty drilling and long life operation.

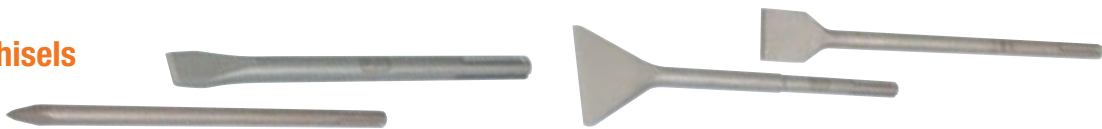
Part No.	Diameter (mm)	Work Length (mm)	Total Length (mm)	Use with DD566	Use with DD585
DDYM18200	18	200	340	✓	◆
DDYM18400	18	400	540	✓	◆
DDYM18600	18	600	740	✓	◆
DDYM20200	20	200	320	✓	◆
DDYM20400	20	400	520	✓	◆
DDYM20800	20	800	920	✓	◆
DDYM22200	20	200	320	✓	◆
DDYM22400	22	400	520	✓	◆
DDYM22800	22	800	920	✓	◆
DDYM24200	24	200	320	✓	✓
DDYM24400	24	400	520	✓	✓
DDYM25400	25	400	520	✓	✓
DDYM25800	25	800	920	✓	✓
DDYM26400	26	400	520	✓	✓
DDYM28400	28	400	520	✓	✓
DDYM28800	28	800	920	✓	✓
DDYM30400	30	400	520	✓	✓
DDYM32400	32	400	520	✓	✓
DDYM32800	32	800	920	✓	✓
DDYM35400	35	400	520	✓	✓
DDYM38400	38	400	520	✓	✓
DDYM40400	40	400	520	◆	✓

✓ Optimum Use ◆ Outside Optimum ✗ Not Recommended



U3™ & R3™ Max Y-Cutter Dust-Extracting Carbide Tipped Drill Bits

Item Code	Diameter	Work Length (mm) x Total Length (mm)	Pack Qty	Use with DD566	Use with DD585
DDEM14400	14	400 x 600	1	✓	◆
DDEM16400	16	400 x 600	1	✓	◆
DDEM18400	18	400 x 600	1	✓	◆
DDEM20400	20	400 x 600	1	✓	◆
DDEM22400	22	400 x 600	1	✓	◆
DDEM25400	25	400 x 600	1	✓	✓
DDEM28400	28	400 x 600	1	✓	✓
DDEM30400	30	400 x 600	1	✓	✓
DDEM32400	32	400 x 600	1	✓	✓
DDEM35400	35	400 x 600	1	✓	✓



Part No.	Type	Width (mm)	Total Length (mm)	Use with DD566	Use with DD585	Use with DD611
DHSMPCM	Point	-	400	✓	✓	✓
DHSMFCM	Flat	25	400	✓	✓	✓
DHSMFCL	Flat	25	600	✓	✓	✓
DHSMSC050	Spade	50	400	✓	✓	✓
DHSMSC080	Spade	80	300	✓	✓	✓
DHSMSC115	Spade	115	300	✓	✓	✓

✓ Optimum Use



Diamond Drilling

Power Tools



Ramset™



Drilling Motor

RM160 - 2000w



Diamond Drilling Power Tools



Description

A comfortable yet powerful diamond core drill with superb power to weight ratio that can be hand operated or mounted on a rig.

Specification

Voltage	240w		
Power Input	2000w		
Connection	1/2" BSP and 1 1/4" UNC		
Motor Speeds	Speed 1	Speed 2	Speed 3
Load	0-660rpm	0-1550rpm	0-3300rpm
Diameter	65-131mm	35-60mm	10-30mm
Rig Compatibility	TRIX160		
Cable Length	5m		
Weight	5.9kg		

Diamond Motor RM160

Part No.	Description	Order Qty
RM160	Ramset™ Diamond Motor	1
Accessories		
172770	Copper Rings	5
622020	Core Bit Extension 1/2 x 300Mm	1
622070	Core Bit Extension 1-1/4 x 400Mm	1
172710	Portable Water Supply Unit	1

Refer to Page 40 for the full range of core bits

Trades & Applications

	Plumber	Electrician	HVAC
Concrete Coring	✓	✓	✓



Features & Benefits

- Integrated friction clutch for highest level of safety
- Compact & ergonomic
- Optimal power / speed balance for maximum core drill life
- Integrated spirit levels for efficient and precise machine adjustment
- LED indicator for overpressure

Noise / Vibration Information

Sound pressure level:	85dB (A)
Sound power level:	90dB (A)

Wear ear and eye protection

Related Products

Drilling Rig
Diamond Cores

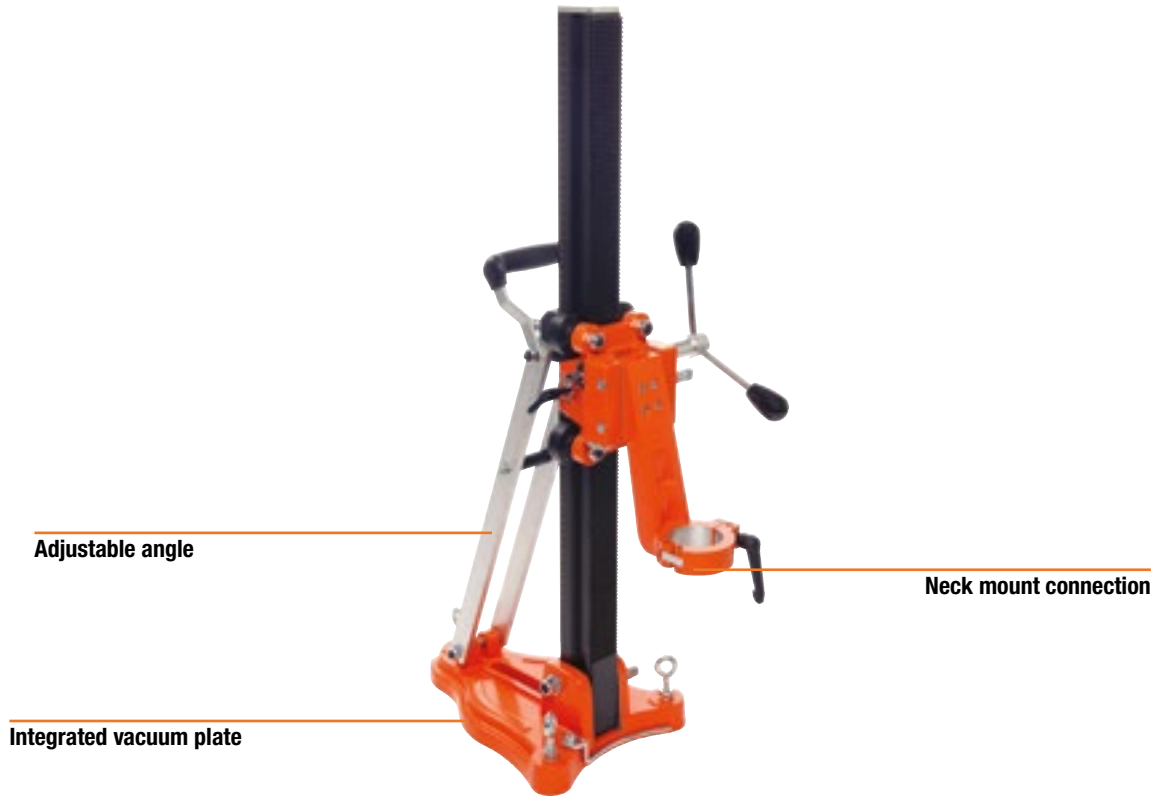
Drilling Rig

Suits RM160 & RM250 Motors



Ramset™

Diamond Drilling Power Tools



Description

A lightweight and easy to handle rig that is capable of very accurate coring from 0° to 90°. The trolley system is fitted with rollers to ensure smooth even work in the worst conditions.

Specification

Height	880mm
Length	340mm
Width	250mm
Weight	12Kg
Max Drill Depth	850mm
Max Core Diameter	200mm
Operational Tilt	0 - 90°
Motor Mounting	60mm connection neck mount
Suitable for Motors	RM160 & RM250

Diamond Rig TRIX160

Part No.	Description	Order Qty
TRIX160	Rig to suit RM160 motor	1

Accessories

SDP1	Vacuum Pump 200W	1
622220	Quick Release Connector Bolts	1
624025	Vacuum Set	1
624019	Small Water Collector	1
624020	Membranes For Water Collector	1
172710	Portable Water Supply Unit	1
622200	Sharpening Plate	1



Features & Benefits

- Robust rig that enables more stable and controlled drilling
- Integrated vacuum plate
- Increased life of core bits
- Reduces drilling vibration

Related Products

Drilling Motors
Wet and Dry Vacuums
Diamond Cores

Drilling Kit

RM160 Kit



Description

A fully integrated diamond core drilling system supplied complete with drilling motor, drilling rig and connection systems. Entire kit is supplied in a robust double walled drilling case.

Diamond Drilling Kit RM160KIT

Part No	Description	Order Qty
RM160	Ramset Drilling Motor 2000w	1
TRIX160	Drilling Rig	1
Accessories		
	Copper rings	1
	Diamond Carbide Tipped Drill bit	1
	Diamond sharpening stone	1
	DynaSet punch	1
	Spanner set	1
	Grease	1
	Quick release connector bolts	1
	Water connector	1



Features & Benefits

- Powerful 2000w drilling motor that can be held or rig mounted
- Robust drilling rig suitable for drilling up to 200mm diameter
- Robust rotomolded plastic and stainless steel drilling case
- Solid recessed wheels for ease of transportation to and from the jobsite
- Integrated transport and carrying handles
- Molded lid enables nesting of multiple cases to prevent sliding during transport.

Related Products

Diamond Cores
Wet & Dry Vacuum

Drilling Motor

RM250 - 2500w



RamsetTM

Diamond Drilling Power Tools



Description

The RM250 is a high performance drilling machine designed for use in conjunction with a drilling rig. A 2 speed motor with a maximum drilling diameter of 250mm makes it the ideal machine for a range of coring applications on the construction site.

Specification

Voltage	240V	
Power Input	2500w	
Connection	1/2" BSP and 1 1/4" UNC	
Max Drilling Capacity	Rig Mounted 250mm	
Motor Speeds	Speed 1	Speed 2
Load	360rpm	850rpm
Diameter	150 - 250mm	52 - 150mm
Rig Compatibility	TRIX160 & TRIX350	
Cable Length	3m	
Insulation	Class II	
Weight	11Kg	

Diamond Motor RM250

Part No.	Description	Order Qty
RM250	Diamond Drilling Motor	1

Accessories

622020	Core Bit Extension 1/2 x 300mm	1
622070	Core Bit Extension 1-1/4 x 400mm	1
172770	Copper Rings	5
172710	Portable Water Supply Unit	1

Trades & Applications

	Plumber	Electrician	HVAC
Concrete Coring	✓	✓	✓



Features & Benefits

- Integrated friction clutch for highest level of user safety
- 2 speed gear box
- Thermal protection to avoid over heating the motor
- Double shank means the machine is compatible with 1/2" and 1 1/4" cores
- Progressive start

Noise / Vibration Information

Noise level with motor: 90dB (A)

Related Products

Drilling Rig
Diamond Cores
Wet and Dry Vacuums



Description

A heavy duty rig that is capable of very accurate coring up to a diameter of 350mm. The trolley system is fitted with rollers to ensure smooth operation even in the worst conditions. A simple low maintenance rig built strong enough to take a heavy work load.

Specification

Height	1030mm
Length	400mm
Width	310mm
Weight	20Kg
Max Drill Depth	652mm
Max Core Diameter	350mm
Operational Tilt	0 - 45°
Suitable for Motors	RM250 & RM350

Diamond Rig TRIX350

Part No.	Description	Order Qty
TRIX350	Large Drilling Rig	1
Accessories		
SDP1	Vacuum Pump 200W	1
624026	Vacuum Set	1
6222	Quick Release Connector Bolts	1
624022	Large Water Collector	1
624023	Membranes for Water Collector	1
172710	Portable Water Supply Unit	1
622200	Sharpening Plate	1



Features & Benefits

- Continuous angle adjustment to any position
- Integrated vacuum plate
- Easy to operate and adjust
- Reduces drilling vibration

Related Products

Drilling Motors
Wet and Dry Vacuums
Diamond Cores

Diamond Core Bits

Core Bits for Drilling Concrete



Ramset™

Diamond Drilling Power Tools

1 1/4" UNC connection

1/2" BSP connection



Laser welded diamond segments



Description

Ramset™ Diamond Cores use industrial grade diamond, which is the hardest material on earth. They are ground down into very small pieces and mixed with a metallic paste called the bond. This is what holds the diamonds in place and forms the segments or the teeth of the core bit.

Diamonds within the segments are very brittle and break several times before wearing away, this breaking constantly exposes new sharp cutting edges and it is these edges that cut the material. Ramset™ offer a comprehensive range of Diamond Cores, which have been selected to meet most common coring applications.

Operating Tips

Refer to the drilling machine instructions to ensure the correct speed is selected for the hole size and the hardness of the material being drilled.

General rule:

- Smaller holes higher speed
- Larger holes lower speed
- Ensure the motor has adequate power
- Keep constant pressure on the core, do not force it, allow the diamonds to cut at their own pace
- For best results ensure an adequate flow of water.

Related Products

Drilling Motors
Drilling Rigs
Wet and Dry Vacuums

AU. Part No.	NZ Part No.	1/2" BSP Thread	Suits Drilling Motor
DCDS14300	DCWS014400	14mm x 400mm	RM160
DCDS16300	DCWS016400	16mm x 400mm	RM160
DCDS18300	DCWS018400	18mm x 400mm	RM160
DCDS20300	DCWS020400	20mm x 400mm	RM160
	DCWS022400	22mm x 400mm	RM160
DCDS24300	DCWS024400	24mm x 400mm	RM160
	DCWS025400	25mm x 400mm	RM160
DCDS26300	DCWS026400	26mm x 400mm	RM160
	DCWS028400	28mm x 400mm	RM160
	DCWS030400	30mm x 400mm	RM160
DCDS32300	DCWS032400	32mm x 400mm	RM160
DCDS35300	DCWS035400	35mm x 400mm	RM160
DCDS40300	DCWS040400	40mm x 400mm	RM160
DCDS45300		45mm x 400mm	RM160
DCDS52300		52mm x 400mm	RM160, RM250

AU ONLY

NZ ONLY

AU. Part No.	NZ Part No.	1 1/4" UNC Thread	Suits Drilling Motor
	DCWL045450	45mm x 450mm	RM160
DCDL52450	DCWL052450	52mm x 450mm	RM160, RM250
	DCWL057450	57mm x 450mm	RM160, RM250
	DCWL062450	62mm x 450mm	RM160, RM250
DCDL66450	DCWL067450	67mm x 450mm	RM160, RM250
DCDL76450	DCWL077450	77mm x 450mm	RM160, RM250
DCDL82450	DCWL082450	82mm x 450mm	RM160, RM250
	DCWL087450	87mm x 450mm	RM160, RM250
DCDL91450	DCWL092450	92mm x 450mm	RM160, RM250
DCDL101450	DCWL102450	102mm x 450mm	RM160, RM250
	DCWL107450	107mm x 450mm	RM160, RM250
	DCWL112450	112mm x 450mm	RM160, RM250
DCDL116450	DCWL117450	117mm x 450mm	RM160, RM250
DCDL121450	DCWL122450	122mm x 450mm	RM160, RM250
DCDL126450	DCWL125450	125mm x 450mm	RM160, RM250
DCDL131450	DCWL132450	132mm x 450mm	RM160, RM250
DCDL142450	DCWL142450	142mm x 450mm	RM250
DCDL151450	DCWL152450	152mm x 450mm	RM250

AU ONLY

NZ ONLY

Other cores sizes (150 - 350mm) are available on request. Please consult your Ramset™ representative for advice.

Wet & Dry Vacuum

30 Litre



Auxilliary Power Connection

Permanent filter cleaning function

Powerful 1600w motor

Heavy duty wheels

Description

Powerful industrial quality vacuum cleaner for dust and water extraction. Auto electromagnetic pulse filter cleaning with "Permanant Clean" - cleans the filters permantly during the vacuuming process without interrupting the intake flow.

Specification

Voltage	240V
Power	1600W
Container Volume	30 Litres
Max Airflow	61 L/s
Max Water Column Depression	248 mbar
Electric Cable	8m
Suction Hose	5m / Ø35mm
Weight (without hose)	15kg
Size	550 x 400 x 550mm

Wet and Dry Vacuum AC1630P

Part No.	Description	Order Qty
AC1630P	30L vacuum wet & dry	1
Accessories		
644004	5m antistatic hose	1
644006	2 sets polyester filters	1
644030	Acessory Kit	1
620922	Dust Bags (Pack of 3)	1

Trades & Applications

	Builder	Plumber	Electri- cian	HVAC
Core cutting dust extraction		✓	✓	✓
Wall chasing dust extraction			✓	
Angle Grinder dust extraction	✓	✓		✓



Features & Benefits

- "Permanent Clean" function
- Powerful motor provides industrial quality cleaning
- Polyester filters provide longer life
- Dust free coring, grinding and cutting
- Dust bag optional
- All accessories included
- Suits all trades

Noise / Vibration Information

Noise level: 70dB (A)

Related Products

- Drilling Motors
- Diamond Cores
- Angle Grinders
- Wall Chaser
- R3 & U3 Max Dustless Drill Bits

Vacuum System

Drill anywhere anchor free
*for use in retrofit where anchors cannot be set



Water Collection

Mess free concrete coring, water collection kit ensures that there is no mess, portable water unit allows you to work anywhere.

Vacuum Cleaner - Part No. AC1630P
Portable water supply unit - Part No. 172710



Vacuum Sets

Part No. 624025 to suit TRIX160 Drilling Rig

Part No. 624026 to suit TRIX350 Drilling Rig



Vacuum Pump

For use with Diamond Drilling Rigs

Voltage	240V
Power Input	200W
Current	0.9 A
Frequency	50/60 Hz
Airflow	30.51/Mn
Max Vacuum	0.9 bar
Insulation Class	Class 1
Protection Class IPX4	IPX4
Dimensions	310 x 238 x 250mm
Weight (without cable and hose)	6.7 kg
Cable length	4m



Quick Release Bolts

M12 for fixing into DynaSet™ drop-in masonry anchors to secure drill rigs.



Water Collector

Water collector - to suit TRIX160 Rig - Part No. 624019
 Membranes for water collector - Part No. 624020

Water collector to suit TRIX350 Rig- Part No. 624022
 Membranes for water collector- Part No. 624023



Copper Rings and Sharpening Plate

Set of 5 rings to suit 1 ¼" drive core drills to prevent seizure
 Copper Rings - Part No. 172770

Sharpening plate - Part No. 622200



Extensions for Core Drills

½" x 300mm - Part No. 622020
 1 ¼" x 400mm - Part No. 622070





Cutting & Grinding

Power Tools



Ramset™



Angle Grinder

125mm (5")



1050w motor

Variable speed control



Description

The RGS125AV angle grinder is ideal for a variety of cutting and grinding applications on the job site

Specification

Voltage	240V
Power	1050w
Motor Speed	12000rpm
Max. Disc Diameter	125mm
Cup Grinding Wheel Max	125mm
Weight	1.6kg
Cable Length	2.5m
Size	300 x 107 x 142mm

Angle Grinder

Part No	Description	Order Qty
RGS125AV	Angle Grinder 125mm (5") 1050w	1

Consumables

CW125SU	Cut off wheel steel INOX125mm	1
CW125S	Cut off wheel steel 125mm	1
848295	Diamond Blade Concrete 125mm	1
848298	Diamond Blade Universal 125mm	1

Trades & Applications

	Builder	Plumber	HVAC	Formworker
Concrete Grinding & Cutting	✓			✓
Steel Cutting & Grinding	✓	✓	✓	

Features & Benefits

- High quality 1050w motor
- Compact and lightweight
- Soft start for comfort and safety
- Anti restart function for added safety
- Anti vibration auxiliary handle
- Variable speed control
- Anti lock flanges for cutting

Noise / Vibration Information

Sound pressure level	90dB(A)
Sound power level	102dB(A)
Vibration	The typical hand-arm vibration does not exceed 1.2m/s ²

Related Products

Diamond Cutting Blades
Cut Off Wheels

Angle Grinder

125mm (5")



Diamond Drilling Power Tools



Description

With 1400w of power and progressive start the RGP125AV is perfectly suited to most cutting and grinding jobs.

Specification

Voltage	240V
Power	1400w
Motor Speed	11000rpm
Max. Disc Diameter	125mm
Cup Grinding Wheel Max	125mm
Weight	2kg
Cable Length	4m
Size	300 x 107 x 142mm

Angle Grinder

Part No	Description	Order Qty
RGP125AV	Angle Grinder 125mm (5") 1400w	1
DHG125	Dust Hood - Grinding	1

Consumables

CW125SU	Cut off wheel steel INOX125mm	1
CW125S	Cut off wheel steel 125mm	1
848295	Diamond Blade Concrete 125mm	1
848298	Diamond Blade Universal 125mm	1



Features & Benefits

- Powerful high quality 1400w motor
- Soft start for comfort and safety
- Anti restart function for added safety
- Anti vibration auxiliary handle
- One touch safety guard with 10 positions
- Variable speed control
- Anti lock flanges for cutting

Noise / Vibration Information

Sound pressure level	91dB (A)
Sound power level	102B (A)
Vibration	The typical hand-arm vibration does not exceed 5.5m/s ²

Trades & Applications

	Builder	Plumber	HVAC	Formworker
Concrete Grinding & Cutting	✓			✓
Steel Cutting & Grinding	✓	✓	✓	

Related Products

Diamond Cutting Blades
 Diamond Cup Wheels
 Wet & Dry Vacuums
 Cut Off and Abrasive Wheels

Angle Grinder

230mm (9")



Description

With 2400w of power and progressive start the RGP230AV is perfectly suited to larger cutting and grinding jobs.

Specification

Voltage	240V
Power	2400w
Motor Speed	6500rpm
Saw Diameter	230mm
Cup Grinding Wheel Max	180mm
Weight	5.2kg
Cable Length	5m
Size	506 x 139 x 245mm

Angle Grinder

Part No	Description	Order Qty
RGP230AV	Angle Grinder 230mm (9") 2400w	1

Accessories

610999	Dust Hood - Cutting	1
610980	Dust Hood - Grinding	1

Consumables

CW230S	Cut off wheel steel 230mm	1
848297	Diamond Blade Concrete 230mm	1
848299	Diamond Blade Universal 230mm	1

Trades & Applications

	Builder	Plumber	HVAC	Formworker
Concrete Grinding & Cutting	✓			✓
Steel Cutting & Grinding	✓	✓	✓	



Features & Benefits

- Powerful 2400w motor
- Soft start for comfort and safety
- 180° rotatable anti vibration back handle
- 3 position anti vibration auxiliary handle
- One touch safety guard
- Anti lock flanges for cutting

Noise / Vibration Information

Sound pressure level	90dB (A)
Sound power level	103B (A)
Vibration	The typical hand-arm vibration does not exceed 4m/s ²

Related Products

Diamond Cutting Blades
 Diamond Cup Wheels
 Wet & Dry Vacuums
 Cut Off and Abrasive Wheels

Surface Grinder

SG125E



Cutting & Grinding Power Tools



Description

Fast dust free concrete surface grinding. Ideal for small concrete grinding jobs.

Specification

Power	1800w
Speed (no load)	10000rpm
Spindle	M14
Weight	5.5kg
Cable	3m

Surface Grinder SG125E

Part No.	Description	Order Qty
SG125E	Concrete Surface Grinder	1
Accessories		
610492	Cup wheel - 125mm Turbo Grinding (Concrete)	1
610477	Cup wheel - 125mm Single Row Grinding (Concrete)	1
610472	Cup wheel - 125mm Double Row Grinding (Concrete)	1
610494	Cup wheel - 125mm Superturbo Grinding (Concrete)	1

Trades & Applications

	Builder	Concretor	Formworker
Concrete surface grinding	✓	✓	✓
Concrete finishing / polishing	✓	✓	✓



Features & Benefits

- 1800w motor
- Max. 10,000rpm
- Ergonomic side handles
- Dust extraction connection

Noise / Vibration Information

Sound pressure level:	93dB (A)
Sound intensity level:	106dB (A)

Related Products

Cup Wheels
Wet and Dry Vacuums

Cup wheels are available in soft bond for concrete (hard) substrates and hard bond for abrasive (soft) materials to ensure longevity. Single row is for maximum material removal. Double row is used for universal grinding. Turbo cup wheels are designed for light grinding and finishing. The new Superturbo is designed for finishing applications such as formwork seams



Dust extraction connection

Ergonomic handles

Powerful 2500w motor

2.6 - 46.5mm wide x
50mm deep

Description

Fast and dust free concrete chasing. Ideal for concealment of conduit or wires adjustable from 2.6mm to 46.5mm wide and 50mm deep.

Specification

Voltage	240 Watt
Power Input	2,500 Watt
Disc Diameter	150mm
Groove Depth	0-50mm
Groove Width	2.6 - 46.5mm
Weight	10.0kg

Wall Chaser RW150E

Part No.	Description	Order Qty
RW150ES	Wall Chaser	1
Accessories		
848296	Xtreme Universal	2

Trades & Applications

	Builder	Plumber	Electrician	HVAC
Concrete Wall Chasing	✓	✓	✓	✓



Features & Benefits

- Quick blade fixing and removal
- Variable width and depth of the cut
- Safe ergonomic design
- Soft start motor
- Secure concrete face contact for straight cut
- Close to edge operation
- Constructed for optimum dust extraction

Noise / Vibration Information

Sound pressure level:	99dB (A)
Sound intensity level:	110dB (A)

Related Products

Wet and Dry Vacuums

Diamond Blades

Total weighted acceleration does not exceed 4.3m/s²



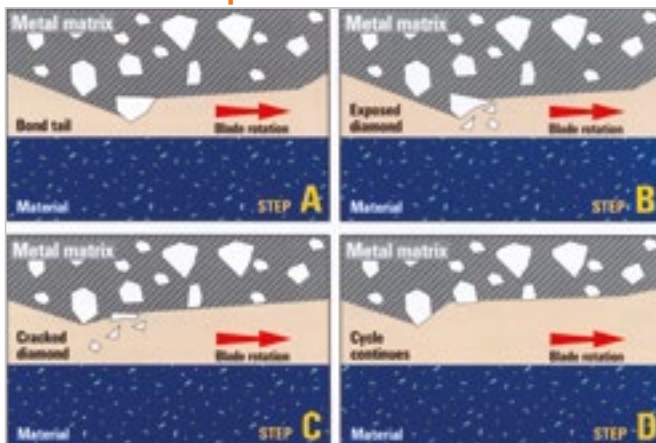
Description

Universal Blades are suited to most general cutting applications and have a large operating range for multi surface use.

Turbo Titan+ is the long lasting choice into hard concrete.

Abrasive Type A is the choice for use into abrasive materials such as brick and block.

Material removal process



Blade Types

Part No.	Diameter (mm)
Xtreme Universal	
848298	125mm
848296	150mm
848299	230mm
Xtreme Concrete	
848295	125mm
848297	230mm

Factors affecting the cutting characteristics of a diamond saw blade

Cutting conditions

- Cutting depth
- Feed rate
- Cutting pressure
- Quality of coolant

Machine

- Power drawn
- RPM
- Condition of the machine
- Coolant supply

Material

- Density
- Abrasivity
- Nature of aggregates
- Size of aggregates
- Type of reinforcement
- Type of foundation



Ramset
DynaDrill™ 611
RVC

AUSTRALIA

Sales, Orders and Enquiries

Tel: **1300 780 063**
Fax: **1300 780 064**
Email: enquiry@ramset.com.au
Web: www.ramset.com.au

NEW ZEALAND

Sales, Orders and Enquiries

Tel: **0800 RAMSET (726738)**
Fax: **09 444 2864**
Email: infor@ramset.co.nz
Web: www.ramset.co.nz



AUSTRALIA TRADE CENTRES

HEAD OFFICE

1 Ramset Drive Chirnside Park, Victoria 3116

STATE BRANCHES

VICTORIA

5/71 Victoria Crescent, Abbotsford 3067
1 Ramset Drive, Chirnside Park 3116

SOUTH AUSTRALIA

115 Sir Donald Bradman Drive, Hilton 5033

NEW SOUTH WALES

71 Carnarvon Street, Silverwater 2128
563 Gardeners Road, Mascot 2020
3/8 Channel Road, Mayfield West 2304

ACT

5/19 Tennant Street, Fyshwick 2609

QUEENSLAND

53 Doggett Street, Newstead 4006

WESTERN AUSTRALIA

525 Abernethy Road, Kewdale 6105

NEW ZEALAND TRADE CENTRES

Auckland - Glenfield

23-29 Poland Rd
p 09 447 1296
f 09 447 1297
e albany@ramset.co.nz

Hamilton

15 Somerset St
p 07 847 9047
f 07 847 9980
e hamilton@ramset.co.nz

Napier - Onekawa

124 Taradale Road
p 06 843 0067
f 06 843 0043
e napier@ramset.co.nz

Christchurch - Hornby

Unit 2/37 Foremans Rd
p 03 349 4749
f 03 349 4750
e hornby@ramset.co.nz

Auckland - Penrose

35 Station Rd
p 09 579 3072
f 09 579 1701
e auckland@ramset.co.nz

Tauranga - Mt Maunganui

Unit 1, 15 Portside Drive
p 07 572 0520
f 07 572 0530
e tauranga@ramset.co.nz

Lower Hutt

46 Victoria St
p 04 569 7247
f 04 566 8752
e lowerhutt@ramset.co.nz

Dunedin

5 Melbourne St
p 03 455 1134
f 03 456 1388
e dunedin@ramset.co.nz

Auckland - Henderson

123 Central Park Drive
p 09 838 9865
f 09 837 3014
e henderson@ramset.co.nz

Rotorua

Waterford Park Estate
50 Old Taupo Rd
p 07 348 0190
f 07 348 9200
e rotorua@ramset.co.nz

Wellington

147 Taranaki St
p 04 384 4138
f 04 385 0868
e wellington@ramset.co.nz

Invercargill

121 Clyde St
p 03 218 9241
f 03 214 7787
e invercargill@ramset.co.nz

Auckland - East Tamaki

Unit 1, 333 East Tamaki Road
p 09 272 4701
f 09 272 4703
e easttamaki@ramset.co.nz

New Plymouth

p 06 759 8984
f 06 759 8983
e newplymouth@ramset.co.nz

Nelson

p 03 548 2664
f 03 548 3559
e nelson@ramset.co.nz

Queenstown

200A Glenda Dr
p 03 442 8073
f 03 442 8074
e queenstown@ramset.co.nz

Whangarei

2A Herekino St
p 09 438 2010
f 09 438 9188
e whangarei@ramset.co.nz

Palmerston North

903 Tremaine Avenue
p 06 357 6745
f 06 357 6775
e palmerstonnorth@ramset.co.nz

Christchurch - City

120 Montreal St
p 03 341 8710
f 03 341 8730
e christchurch@ramset.co.nz

In the interests of product improvement, Ramset™ reserves the right to alter product specifications as required. Information included in this resource book is correct at time of printing. It is the responsibility of the user to ensure product selected is appropriate for its intended use. For further technical information go to www.ramset.com.au or contact Ramset™ on the numbers indicated. ITW Australia Pty. Ltd. ABN 63 004 235 063 trading as Ramset™ © Copyright 2015™ Trademarks of Cetram Pty. Ltd. used under license by Ramset™

PART No.RAMPT0515