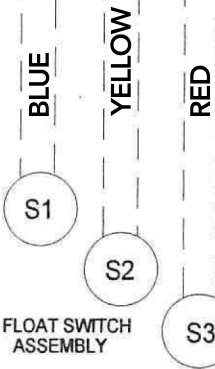
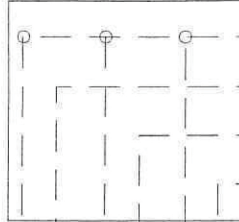




# DRAWING: AUDIO - VISUAL ALARM BOX

S1: HIGH-HIGH ALARM  
 S2: HIGH ALARM  
 S3: NORMAL

JUNCTION BOX



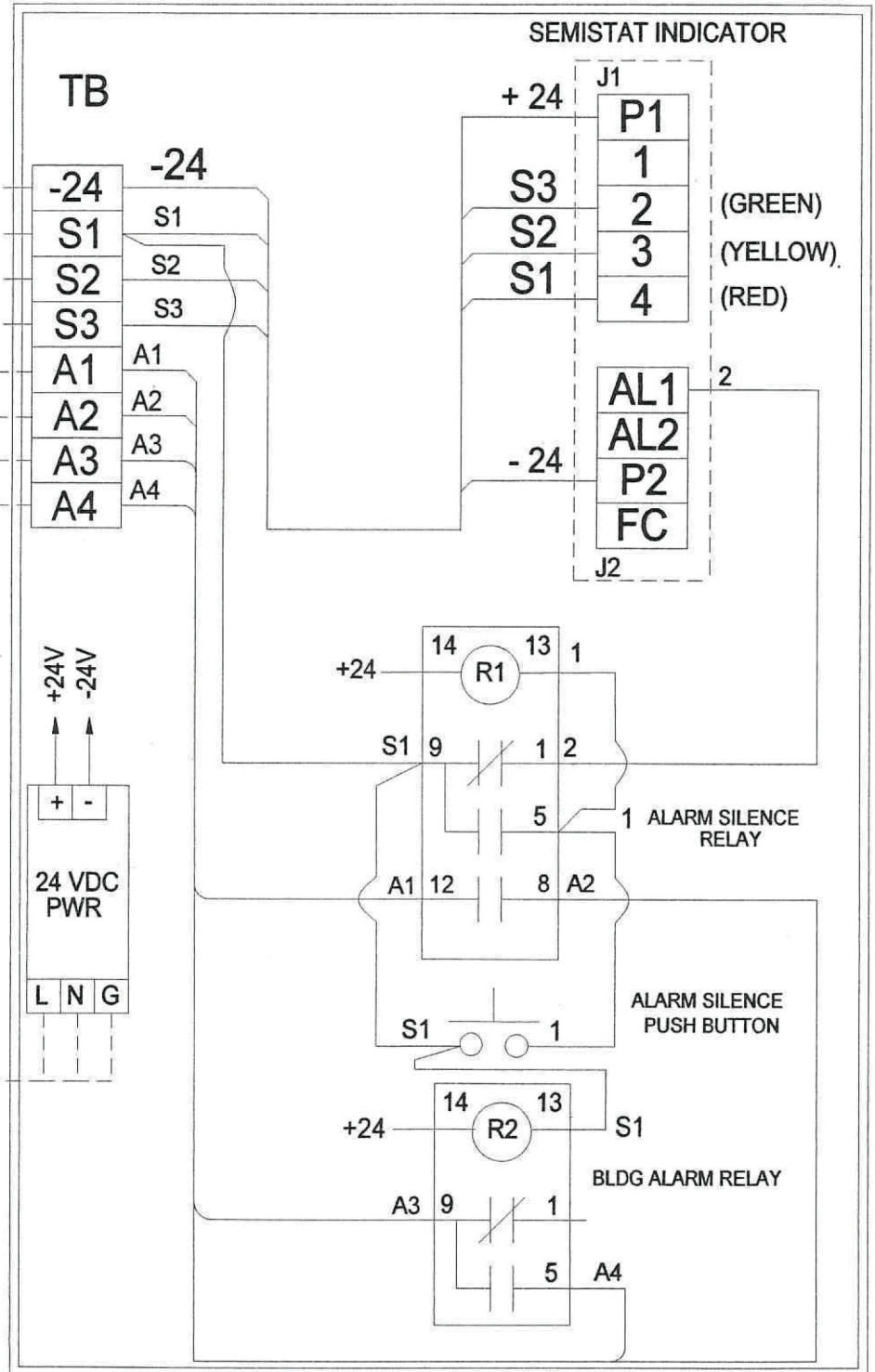
FLOAT SWITCH ASSEMBLY

HIGH LEVEL ALARM  
 (CLOSES UPON ACK.)

TO BUILDING ALARM  
 DRY CONTACT



120 VAC POWER



AUDIO VISUAL ALARM BOX  
 ----- FIELD WIRING