

workstories...

ASSEMBLY GUIDE



ALBION

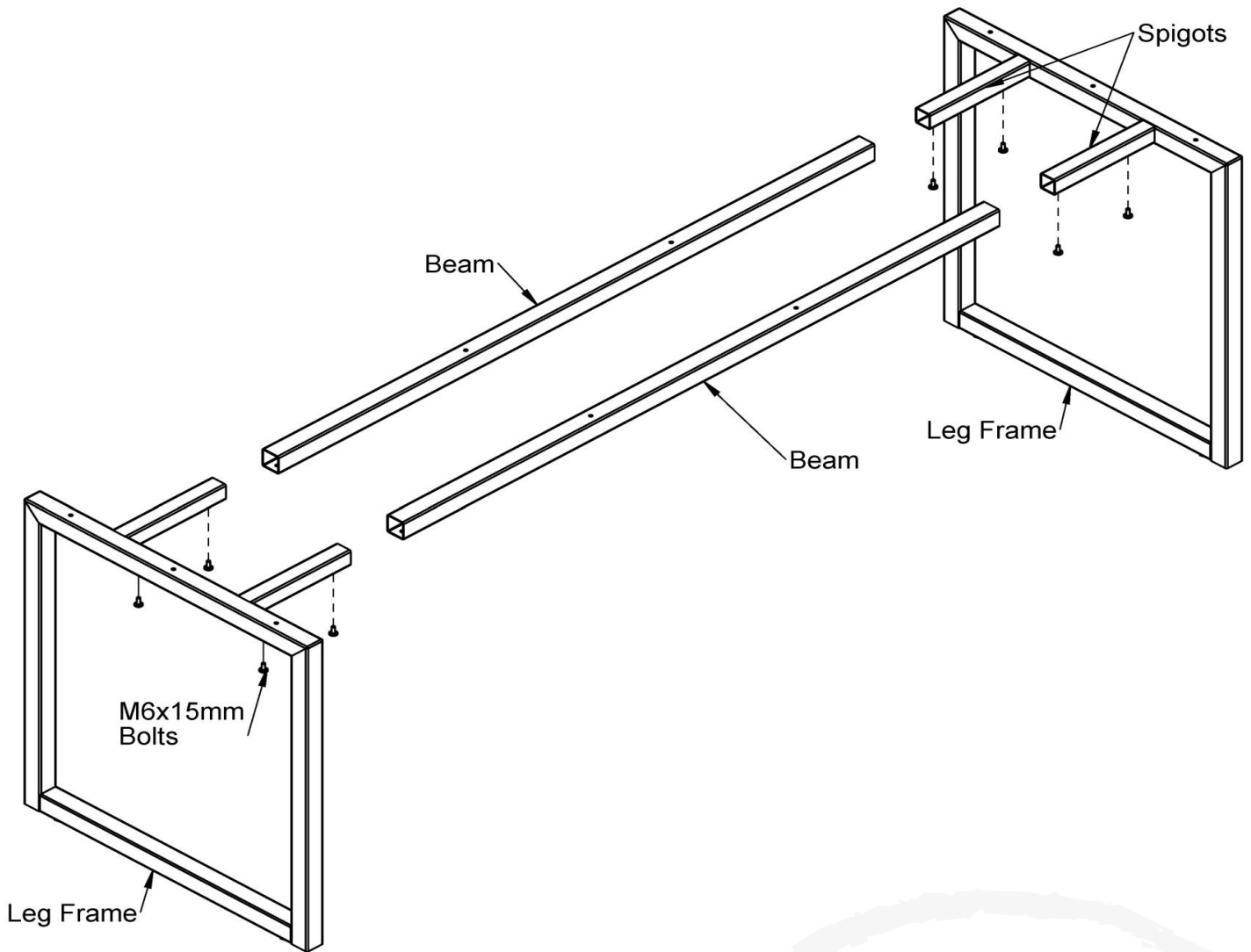
Breakout

Mix Tables & Seat

info@workstories.com
+44 (0)20 3735 5224
workstories.com

*dining / one-piece top***hardware**

1x fixing kit

tool required4mm
allen key

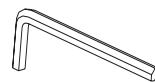
- Remove packaging from all components. **Fixing kit supplied inside of the beam.**
- Insert the beams over the spigots on one leg frame & secure in place with the M6 x 15mm bolts
- Offer up the other leg frame & locate the spigots into the beams then secure in place with the M6 x 15mm bolts
- Place the top onto the framework and secure with the appropriate fixing

dining / multi-top

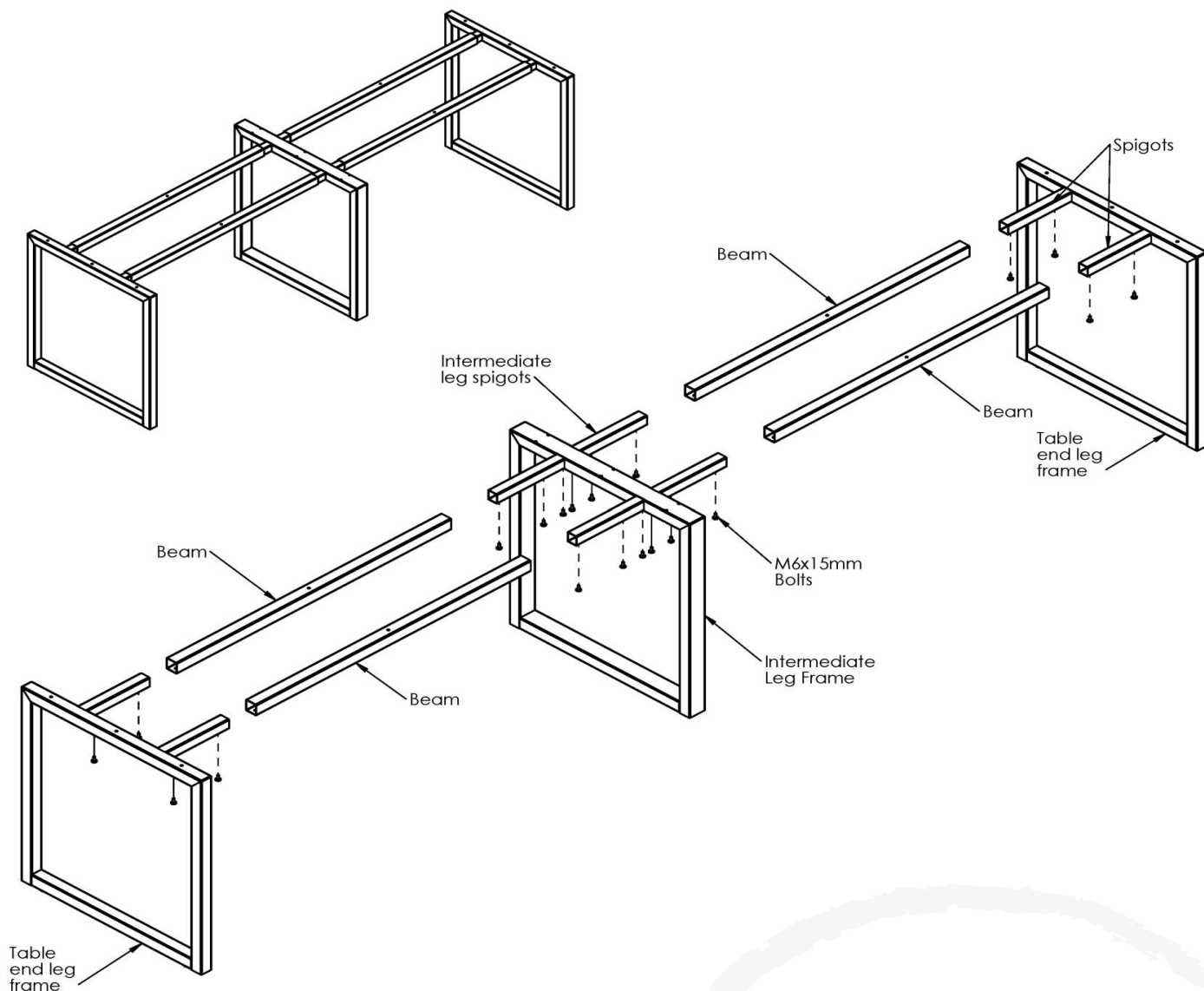
hardware

1x fixing kit per beam

tool required



4mm
allen key

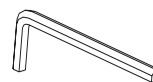
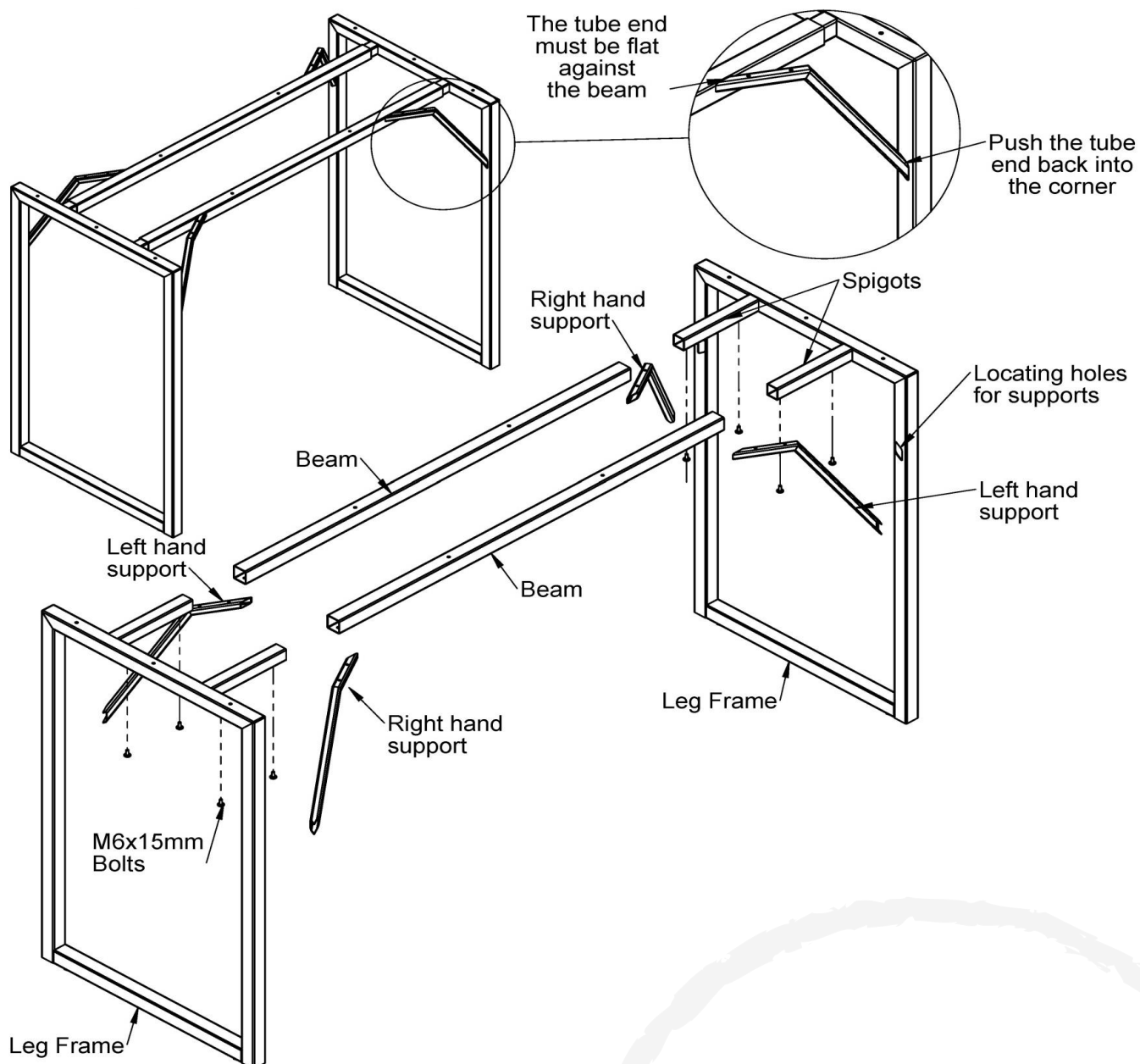


- Remove packaging from all components. **Fixing kit supplied inside of the beam.**
- Insert the spigots into the intermediate leg and secure with M6 x 15mm bolt
- Insert the beams over the spigots on one leg frame & secure in place with the M6 x 15mm bolts
- Offer up the intermediate leg frame & locate the spigots into the beams then secure in place with M6 x 15mm bolts
- Insert the beams over the spigots of the intermediate leg and secure with M6 x 15mm bolt
- Offer up the other leg frame & locate the spigots into the beams then secure in place with M6 x 15mm bolts
- Place the top onto the framework and secure with the appropriate fixing

hardware

1x fixing kit

tool required

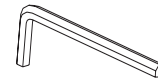
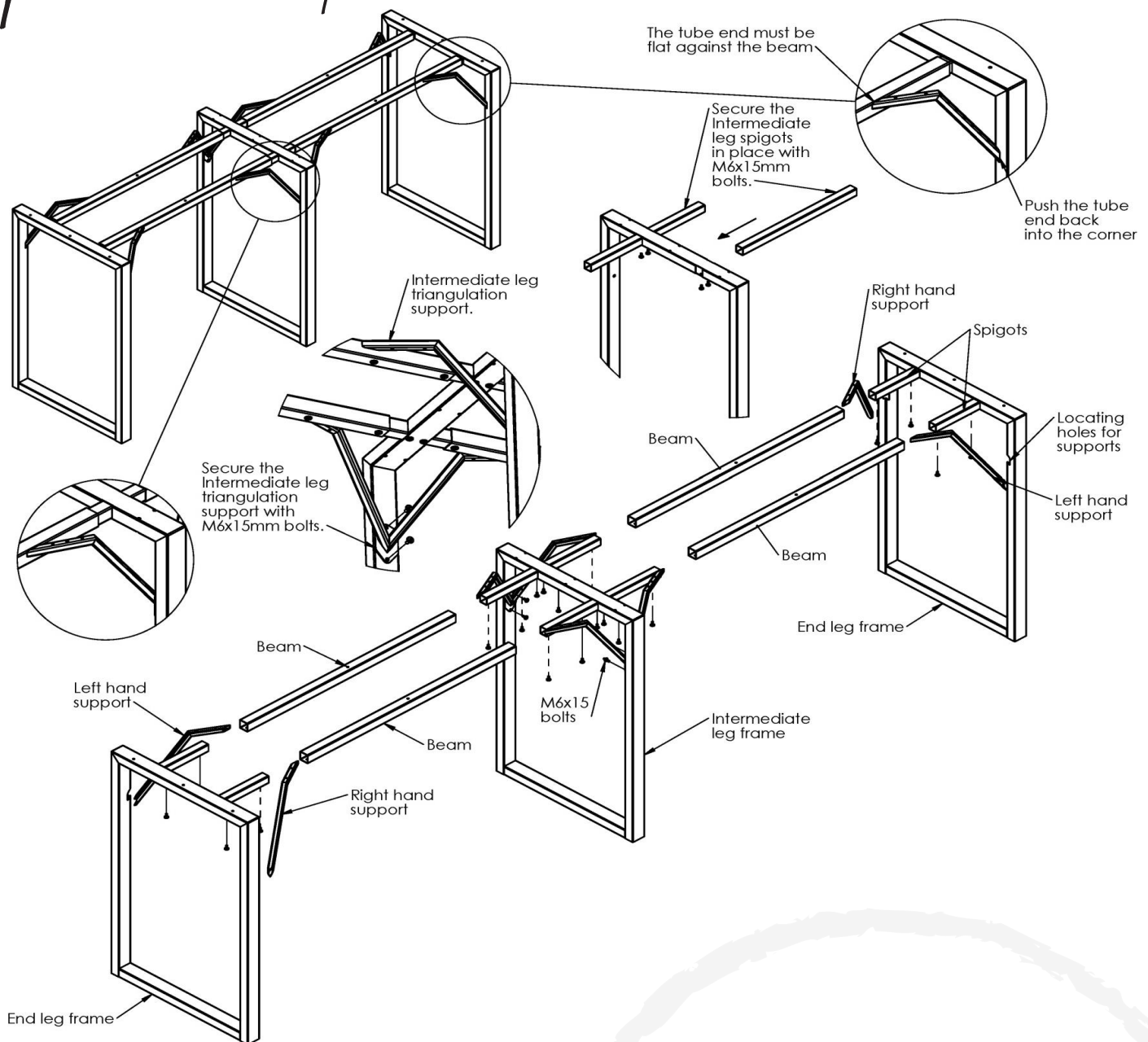
4mm
allen keyPozi
screw driver*poseur / one-piece top*

- Remove packaging from all components. **Fixing kit supplied inside of the beam.**
- Insert the beams over the spigots on one leg frame & secure in place with the M6 x 15mm bolts
- Offer up the other leg frame & locate the spigots into the beams then secure in place with M6 x 15mm bolts
- Insert the left & right hand supports into the locating holes in each leg frame. **The supports are handed.**
- Place the top onto the framework and secure in place. Ensure the supports hit the inside corner of the leg frame and the angled face is flat against the beam.
- Now you can secure the supports to the top with the wood screws provided.

hardware

1x fixing kit
per beam

tool required

4mm
allen keyPozi
screw driver*poseur / multi-top*

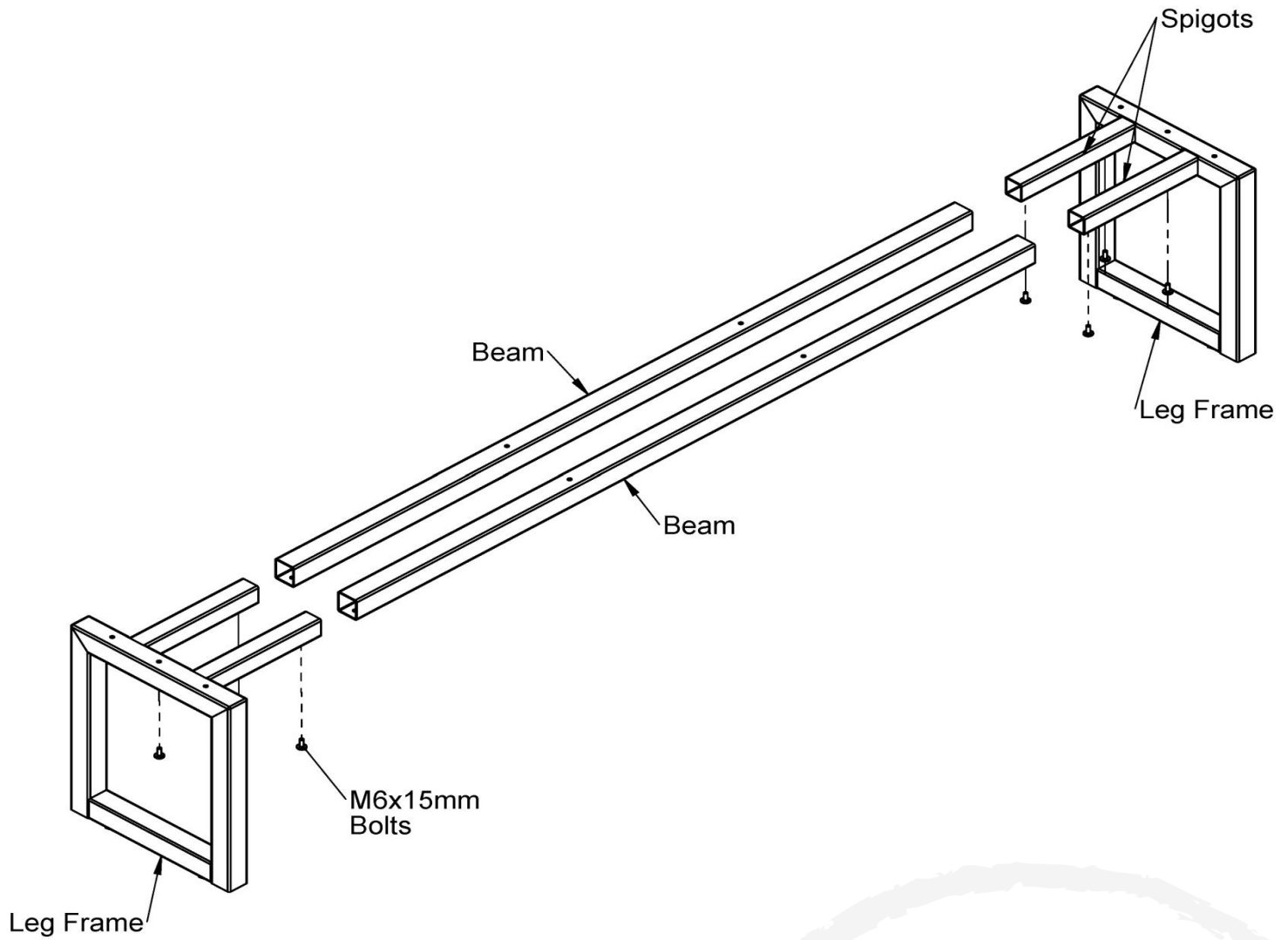
- Remove packaging from all components. **Fixing kit supplied inside of the beam.**
- Insert the spigots into the intermediate leg and secure with M6 x 15mm bolt
- Insert the beams over the spigots on one leg frame & secure in place with the M6 x 15mm bolts
- Offer up the intermediate leg frame & locate the spigots into the beams then secure in place with M6 x 15mm bolts
- Insert the beams over the spigots of the intermediate leg and secure with M6 x 15mm bolt
- Offer up the other leg frame & locate the spigots into the beams then secure in place with M6 x 15mm bolts
- Insert the left & right hand supports into the locating holes in each leg frame. **The supports are handed.**
- Offer up the intermediate leg triangulation support to the inside of the intermediate leg & secure in place with M6 x 15mm bolts
- Place the top onto the framework and secure in place. Ensure the supports hit the inside corner of the leg frame and the angled face is flat against the beam.
- Ensure the intermediate leg triangulation support ends are flat against the beam.
- Now you can secure the supports to the top with the wood screws provided.

seat

hardware

1x fixing kit

tool required

4mm
allen key

- Remove packaging from all components. **Fixing kit supplied inside of the beam.**
- Insert the beams over the spigots on one leg frame & secure in place with the M6 x 15mm bolts
- Offer up the other leg frame & locate the spigots into the beams then secure in place with the M6 x 15mm bolts
- Place the top onto the framework and secure with the appropriate fixing



SHOWROOM

13 Northburgh Street,
London EC1V 0JP

CONTACT

Info@workstories.com
+44 (0)20 3735 5224

workstories.com