

BLINKY

Technical sheet



Stylish minimal profile that sits near flush with the worksurface

Optimising the available space, without cluttering or needing to flip 360 Deg. Access is provided to 3 no. power outlets 3 no. 30w A + C PD USB charging ports

are also available in addition, without compromising the number of power outlets.



- 3 UK power. 30w A&C USB charging
- Shallow above 6mm profile
- Cut out size required 135mm diameter
- 1m or 2m BS13A connectivity
- Black or white finish

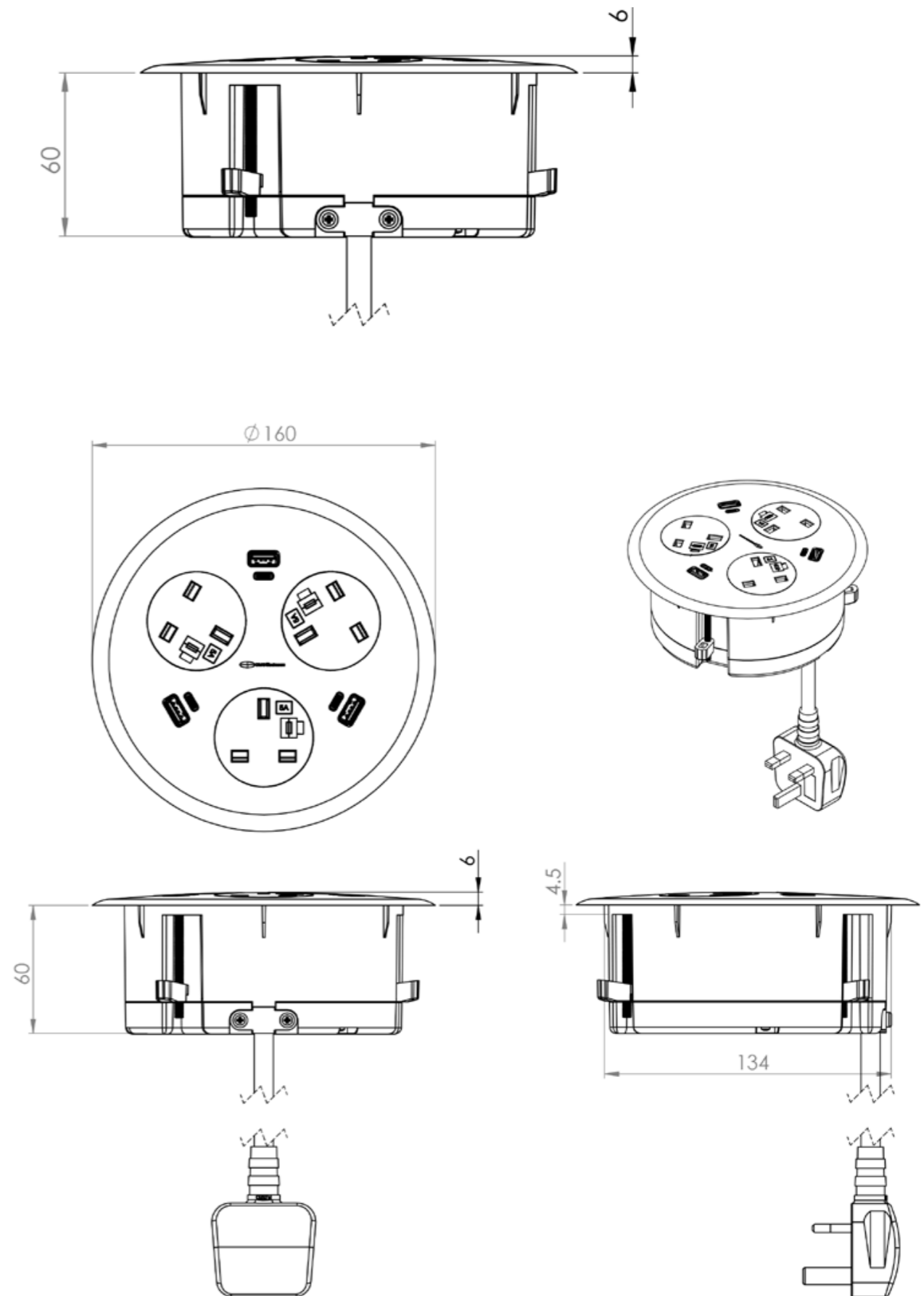




TECHNICAL INFORMATION

Sourcetec is a registered trademark & is part of the Workstories group.
 Workstories Ltd Reg No: 08559545.
 13 Northburgh Street, London, EC1V 0JP

| | |
|-----------------------------|--|
| Product code | SOU/P-ID-BLI-33DFCAC-2-W |
| Input | 100-240V AC; 50/60Hz, 0.8A |
| Maximum power | 30W |
| USB outlets | 1x type C 3.0 fast charge & 1x type A standard fast charge |
| Operating temperature range | 0 - 40C |
| Safety standards | RoHS IEC 62321-3-1 EN62368 1; EN62680 1; CISPR32:2015; EN55032; EN55035; EN IEC 61000 3-2; 3-3 |





Warranty & General Care

sourcetec.global

Warranty

Workstories Ltd offers a 1-year warranty on our Sourcetec range.

This applies only if products have been used within and by standard office conditions. Wear and tear must be expected from normal use and are not covered by the warranty.

General Care

CARE & MAINTENANCE

–
 Apart from replacing or resetting fuses, Sourcetec products are manufactured to be maintenance free. Periodically clean the units by first disconnecting the power and then clean using a soft damp cloth. Do not use harsh chemical solvents or detergents. Dry immediately with a soft dry cloth.

TESTING

–
 All Sourcetec units are tested before they leave the factory, any suspected damage or manufacturing defects need to be raised with Sourcetec immediately for further investigation.

Environmental Practices

Workstories is dedicated to being environmentally conscious. We strive to ensure the continued availability of natural resources for current and future generations, and as part of our mission, we recognise the responsibility to protect human health, the environment, and natural resources, and to continually strive to improve the environmental quality of our operations.

To carry out this commitment, it is our policy to ensure all our factories:

Meet or exceed the requirements of all environmental laws and regulations applicable to our operations.

Limit our impact on the environment to the extent practicable and work to reduce recognised environmental risks to our employees and the communities in which we operate by employing safe technologies and operating procedures.

Continually assess our environmental programs and monitor our environmental performance.

Have operating policies and programs in place to implement our Environmental Quality Policy.

Workstories guarantees limited carbon footprint for our products. Workstories is a full member of FIRA and FISP. We hold FSC, ISO9001 and ISO14001 certifications.



sourcetec

sourcetec:global