

Model P231  
 24mm Rotary Potentiometer  
 Conductive Plastic Element  
 100,000 Cycle Life  
 Metal shaft / Bushing  
 RoHS Compliant



## MODEL STYLE

Side Adjust , Solder Lugs

P231

## ELECTRICAL<sup>1</sup>

|                                   |                             |
|-----------------------------------|-----------------------------|
| Resistance Range, Ohms            | 500-1M                      |
| Standard Resistance Tolerance     | ± 20%                       |
| Residual Resistance               | 20 ohms max.                |
| Input Voltage, maximum            | 500 Vac max.                |
| Power rating, Watts               | 0.5W- B taper, 0.25W-others |
| Dielectric Strength               | 500Vac, 1 minute            |
| Insulation Resistance, Minimum    | 100M ohms at 250Vdc         |
| Sliding Noise                     | 100mV max.                  |
| Actual Electrical Travel, Nominal | 260°                        |

## MECHANICAL

|                         |                   |
|-------------------------|-------------------|
| Total Mechanical Travel | 300°± 10°         |
| Static Stop Strength    | 70 oz-in          |
| Rotational Torque       | 0.5 to 1.25 oz-in |

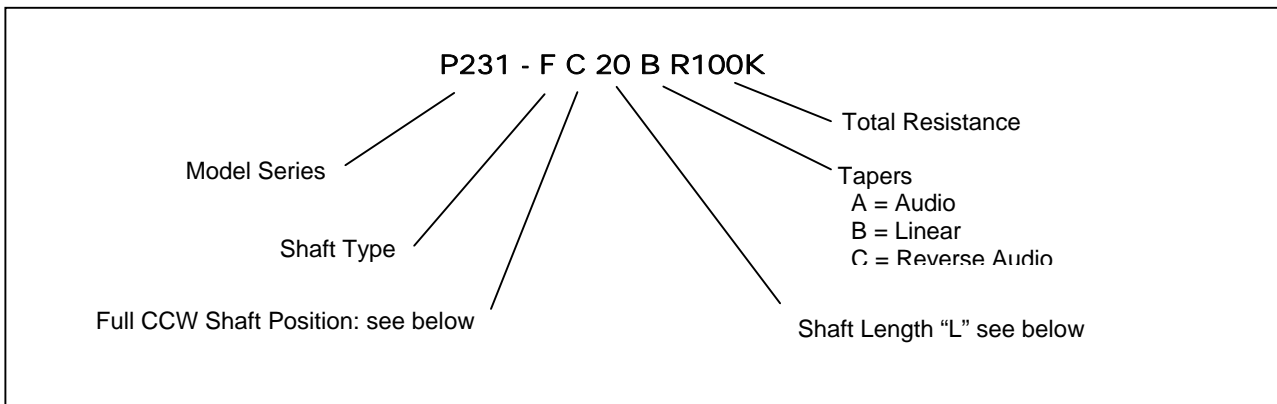
## ENVIRONMENTAL

|                             |                |
|-----------------------------|----------------|
| Operating Temperature Range | -20°C to +70°C |
| Rotational Life             | 100,000 cycles |

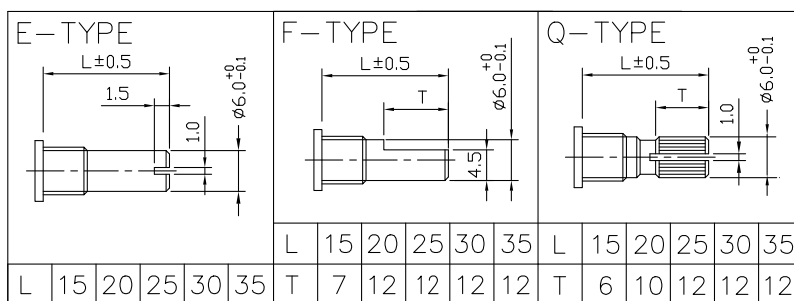
<sup>1</sup> Specifications subject to change without notice.

# Model P231

## ORDERING INFORMATION<sup>2</sup>

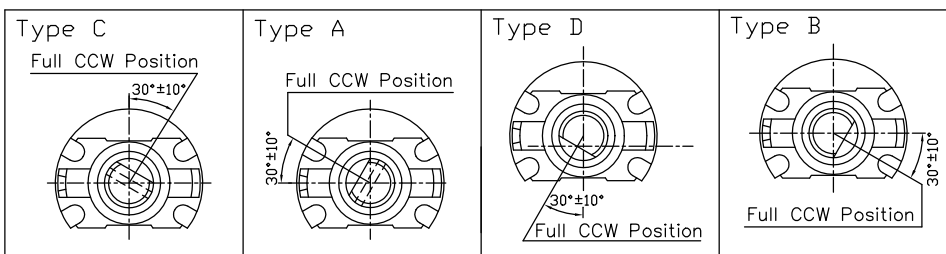


### Shaft Types



### Shaft Position (F-Type Shaft)

Dashed lines on Type "C" and Type "A" shows position of adjustment slot for E-Type and Q-Type shafts



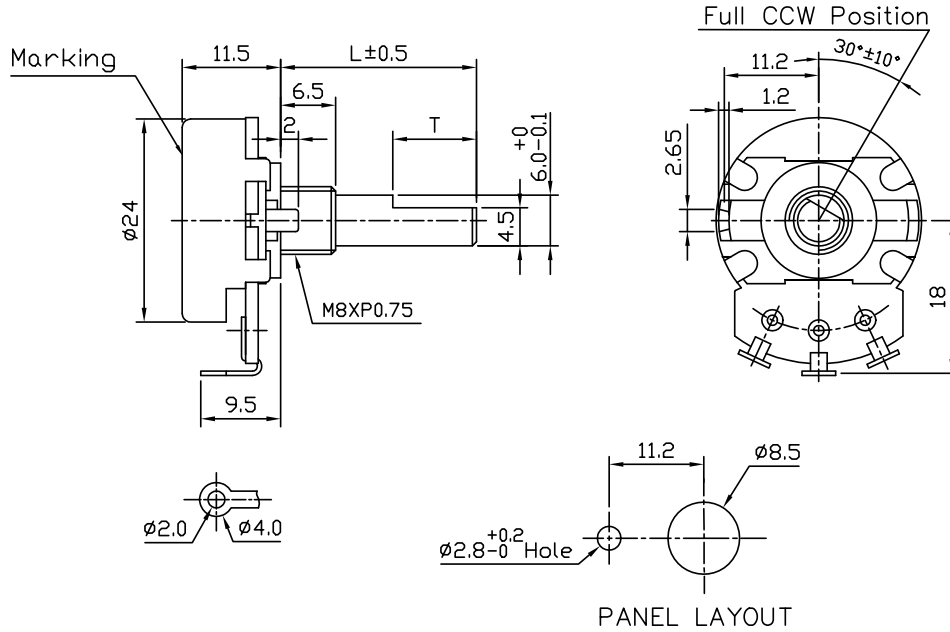
## STANDARD RESISTANCE VALUES, OHMS

500    1K    2K    5K    10K    20K    50K    100K    200K    500K    1MEG

<sup>2</sup> Contact our customer service for custom designs and features.

# Model P231

## OUTLINE DRAWING



## CIRCUIT DIAGRAM

