

BIKE

ENGLISH

USER

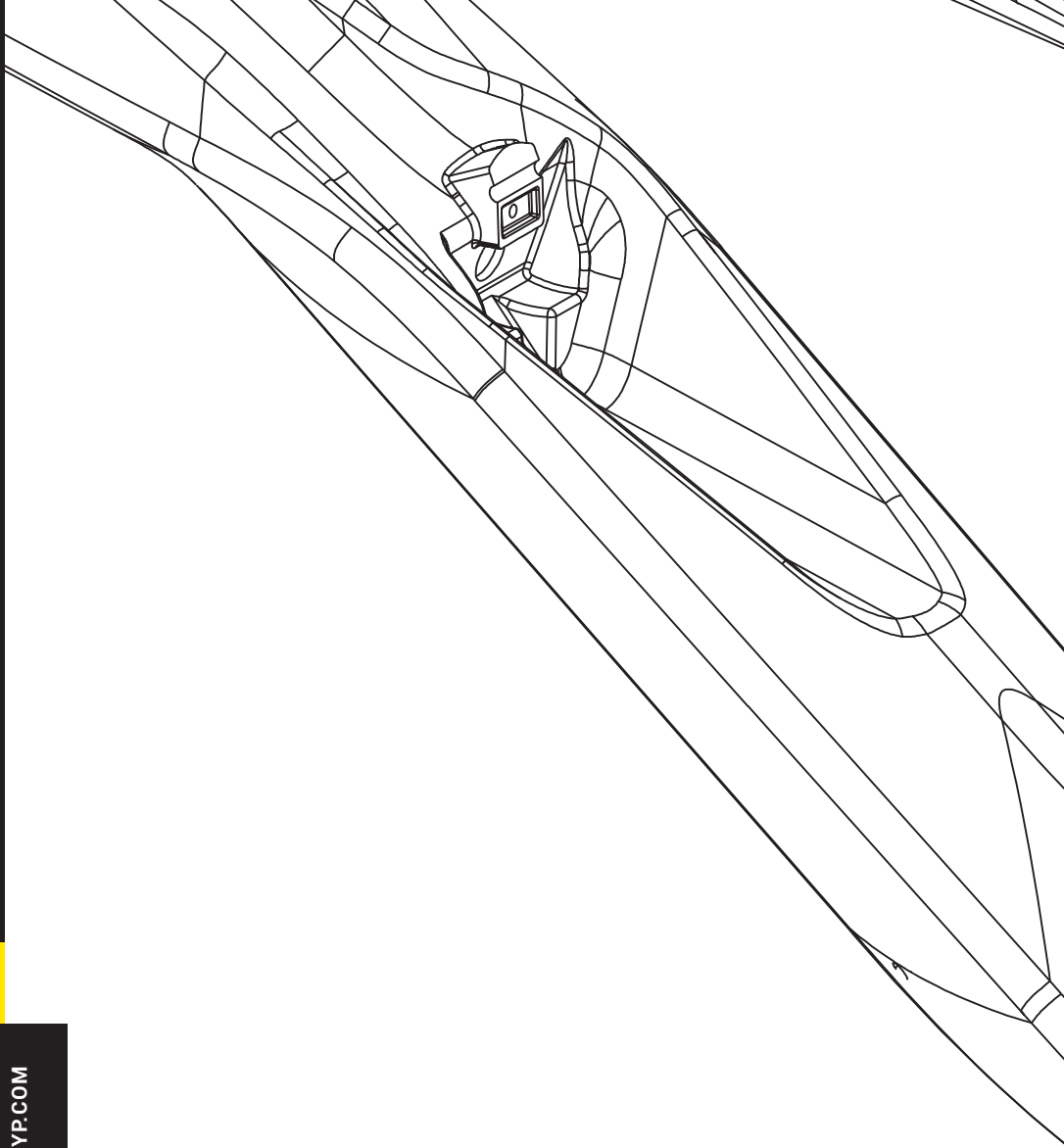
MAN-

-UAL

READ
BEFORE
YOUR
FIRST
RIDE



GS



A detailed line drawing of a motorcycle frame, showing the front fork, headlight, and rear section. The drawing is in black lines on a white background.

GS

BIKE USER MANUAL

ENGLISH

Contents

1	INTRODUCTION	5		
	Greyp Bikes disclaimer	5		
	General warning	5		
	General information	6		
	Safety information	6		
	General assembly information	7		
			Assembling parts supplied unassembled	16
2	GENERAL NOTES ABOUT RIDING	11	3	BATTERY AND CHARGER
	Pre-Ride inspection	12		Battery technical data
	Riding tips for children	12		Important battery information
	Derailleur	13		Battery life
	Seat post – basics	13		
	Brakes – basics	13	4	SYSTEM FUNCTIONS
	Suspension – basics	14		Bike parts
	Recommended tire pressure	14		Control unit functions
				Display unit information
				Power on
				Standby mode on
				Standby mode off
				Power off

Walk assist mode	28	7	WARRANTY	39	
Lights on/off	28		General	39	
Joystick	29		Battery	40	
Assist level up/down	29		Frame	41	
Info and Pair a bike screen	30		Motor	41	
Manual Software Update	30		Electronics	41	
5	BIKE MAINTENANCE & RANGE	32	Brakes	41	
	Maintenance	32	Suspension	41	
	Range	34	Drivetrain	42	
	Shifting recommendations	35	How to file a claim	42	
	Recommended tightening of fasteners	35	8	DISPOSAL	43
6	CLEANING THE BIKE	38		Only for EU countries:	43
	Chain	38	9	EC – DECLARATION OF CONFORMITY	44
	Fork	38			
	Lubrication	38			

1

Introduction

This User Manual is developed for your Greyp G5.1, G5.1 (US), G5.2 and G5.2 (US) only. It contains important safety, performance and technical information, which you should read before your first ride and keep for reference. You should also read the entire User Manual, because it contains additional important general information and instructions that you should follow.

If you do not have a copy of the User Manual, please download it for free at www.greyp.com or obtain it from your nearest authorised Greyp Bikes retailer. In case of any discrepancy, the English version shall prevail.

Greyp Bikes disclaimer

Any modifications of the bike are strictly forbidden and Greyp Bikes d.o.o. will bear no liability whatsoever for the consequences of such modifications. Greyp Bikes d.o.o. does not grant, explicitly or implicitly, to any party any patent rights, licenses or any other IP rights, whether with regard to such information itself or to anything described by such information. The information provided by Greyp Bikes d.o.o. hereunder is provided as is, where is and with all faults. The entire risk associated with such information is entirely with the buyer. The information provided in this document is proprietary to Greyp Bikes d.o.o., and Greyp Bikes d.o.o. reserves the right to make any changes to the information in this document or to any products and services at any time without notice.

You should check www.greyp.com for any changes made in the User Manual.



Greyp Bikes d.o.o., Ljubljanska 7,
10431 Sveta Nedelja, Croatia, February 15th 2020.

General warning

This Manual contains many WARNINGS and CAUTIONS concerning the consequences of failure to maintain or inspect your bike and of failure to follow safe cycling practices.

The combination of the safety alert symbol and the word WARNING indicates a potentially hazardous situation which, if not avoided, could result in serious injury or death.

The combination of the safety alert symbol and the word CAUTION indicates a potentially hazardous situation which, if not avoided, may result in minor or moderate injury, or is an alert against unsafe practices. Many of the WARNINGS and CAUTIONS say *you may lose control and fall* as any fall can result in serious injury or even death, we do not always repeat the warning of possible injury or death.

As it is impossible to anticipate every situation or condition which can occur while riding, this User Manual makes no representation about the safe use of the bike under all conditions. There are risks associated with the use of any bike which cannot be predicted or avoided, and which are the sole responsibility of the rider.

General information



Important notice: Please make sure you read the User Manual before operating a Greyp bike for the first time. It is very important to follow the instructions in the User Manual to make sure you use the bike in the proper way. Greyp Bikes d.o.o. reserves the right to change the design, components and specifications at any time without notice and without any obligation. The illustrations and pictures in this User Manual are for demonstration purposes only.

EU - The G5.1 and G5.2 are high-performance bicycles.

US - The G5.1 (US) and G5.2 (US) are CLASS 1 electric bicycles.

G5 bikes are intended to be used on gravel, paved and non-paved hiking trails (with several roots, thresholds, rocks and small drops) and rougher unpaved terrain, with jumps and drops not more than 1m high (maximum height).



WARNING – Please contact your dealer or manufacturer before trying to repair your Greyp bike. This Manual is not intended as a service and repair manual.

The Greyp G5 is classified as a pedelec. The G5 is a vehicle where the rider's pedaling is assisted by an electric motor with 5 assist and torque levels, which gives you a range of power assistance. The motor support will automatically switch off when you reach a maximum speed of 25km/h for the G5.1 and G5.2 and 32km/h (20mph) for the G5.1 (US) and G5.2 (US). A driver's license or insurance is typically not required. Regardless of its classification, it will only provide motor support only while pedaling.

Before using your Greyp bike, please inform yourself of all applicable legal requirements and regulations in your country or state. There may be restrictions on riding your Greyp on public roads, cycling paths, and/or trails. There may also be applicable helmet requirements, age restrictions or license or insurance requirements. As laws and regulations regarding electric vehicles vary by country and/or state and are constantly changing, please make sure you obtain the latest information. You should also regularly see your authorized Greyp Bikes retailer for updated information. All Greyp G5 bikes have a fixed pre-set speed limit at which the motor support will automatically shut down. Tampering is to interfere with bike in order to cause damage or make unauthorized alterations (excluding the exchange of the sprocket with non-original parts) is prohibited, will void the warranty, is extremely dangerous and could result in severe and/or fatal injuries. If case of tampering we recommend that you stop using bike and call authorized Greyp retailer.

Safety information

Please, carefully read all the warnings and notes in this User Manual before using your Greyp bike.



WARNING – You add to your risk of injury when you use your bike in an incorrect manner. Misuse can add stress to your bike. High stress can cause the frame or a part to break and increase your

risk of injury. To decrease your risk of injury, use your bike in the manner in which it was designed.



WARNING – As with all mechanical components, the EPAC (Electrically Power Assisted Cycles) is subject to wear and high stresses. Different materials and components may react to wear or stress fatigue in different ways. If the design life of a component has been exceeded, it may suddenly fail, possibly causing injuries to the rider. Any form of cracks, scratches or change of coloring in highly stressed areas indicate that the lifespan of the component has been exceeded and it should be replaced.



WARNING – For composite components, impact damage may be invisible to you and may result in serious personal injury or death. If composite components exhibit any signs of damage, do not use them and immediately bring them to your authorized Greyp Bikes retailer for inspection.

The A-weighted emission sound pressure level at the driver's ears is less than 70 dB(A)



WARNING – Inappropriate handling of a Greyp bike can cause damage, injury and/or death. Please make sure you learn how to operate a Greyp bike in a safe and responsible way.

The Greyp G5 is intended to transport only one person at a time. If you allow somebody else to use your Greyp bike, please provide them with this User Manual.

We advise keeping the original box that the bike came with for the duration of the warranty period in case there should be any issues.



WARNING – We strongly advise that you wear a helmet and other safety equipment while riding a Greyp bike. In some countries, there is an obligation to wear a helmet. Please check if this is the case in your country too.

Only ride at ambient temperatures between 5°C (41°F) and 40°C (104°F).



WARNING – Greyp lights are primarily designed as auxiliary lights and you should take care that you use lights that are in accordance with the provision in force in the country of use.



WARNING – Reflectors, which function only when light shines on them, are not a substitute for lights. Riding in dark conditions or at times of poor visibility without adequate lighting is extremely hazardous

General assembly information

This User Manual is not intended as a comprehensive use, service, repair or maintenance guide. Please see your authorized Greyp Bikes retailer for all service, repairs or maintenance.



WARNING – Do not alter or modify any parts of a Greyp bike. Do not install incompatible components or hardware.

The maximum permissible total weight (vehicle + driver + luggage) of the Greyp G5 is 150kg [330.7 lb].

VEHICLE	PERMISSIBLE TOTAL PAYLOAD (DRIVER + LUGGAGE)	VEHICLE WEIGHT
G5.1 AND G5.1(US)	125.5 kg [276.7 lb]	24.5 kg [54 lb]

Please find additional safety, performance and service information for specific components such as suspension, brakes or motor in the Manufacturer's Guidelines.


ONLY FOR BIKES SOLD IN THE USA

This bike complies with part 15 of the FCC Rules. The operation is subject to the following two conditions: (1) this bike may not cause harmful interference, and (2) this bike must accept any interference received, including interference that may cause an undesired operation.

Contains FCC IDs: QIPPLS8-USR4, Z64-WL18SBMOD

NOTE – This bike has been tested and found to comply with the limits for a Class B digital device, pursuant to part 15 of the FCC Rules. These limits are designed to provide reasonable protection against harmful interference in a residential installation. This bike generates, uses and can radiate radio frequency energy and, if not installed and used in accordance with the instructions, may cause harmful interference to radio communications. However, there is no guarantee that interference will not occur in a particular installation. If this bike does cause harmful interference to radio or television reception, which can be determined by turning the bike off and on, the user is encouraged to try to correct the interference by one or more of the following measures:

- » *Reorient or relocate the receiving antenna;*
- » *Increase the separation between the equipment and receiver;*
- » *Connect the equipment into an outlet on a circuit different from that to which the receiver is connected;*
- » *Consult the dealer or an experienced radio/TV technician for help.*

 **CAUTION** - Changes or modifications not expressly approved by the party responsible for compliance could void the user's authority to operate the equipment.

COMPONENT/MODEL	G5.1
FRAME	T700 carbon fiber reinforced composite (sizes S, M & L)
SUSPENSION - FORK	MARZOCCHI Bomber Z2, Air, 2 Pos Remote, 140mm travel, 29', 110mm axle, 51mm rake
BRAKES	Formula Cura (2 pistons, electronic break sensor)
ROTORS	180mm front / 180mm rear
STEM	35mm, custom with integrated CIM (Central Intelligence Module)
INTEGRATED CAMERAS	Front and rear, wide angle 1080p@30fps
SENSORS	GPS, Gyro 3 axis, Accelerometer 3 axis, Barometer
CONNECTIVITY	3G module with eSIM, Bluetooth 4.2, Wi-Fi module, USB type C
CONNECTIVITY PROVIDER	T-Mobile, free of charge until December 31 st , 2024
MOBILE APP OS	Android / iOS

DISPLAY	3", TFT, 240X400, TRANSFLECTIVE, SUNLIGHT READABLE
HEART RATE MONITOR	Wristband Heart Rate Monitor, 2 optical sensors, Bluetooth 4.0 & ANT+
HEADSET	FSA Gravity SX pro
HANDLEBARS	Greyp custom, width 770mm, 38mm rise, 9° back sweep, 5° upsweep
HANDLEBAR GRIPS	WTB ACE PADLOCK - BULGED (custom)
PEDALS	Greyp custom flat pedal, die-cast aluminum & Cr-Mo axle
CRANKS	Greyp custom, 175mm, ISIS, Alloy forged
FRONT WHEEL	WTB SpeedTerra 29.0" Boost
REAR WHEEL	WTB SpeedTerra 27.5" Boost, Shimano freehub
HUBS	WTB SpeedTerra
FRONT TIRE	WTB Vigilante 29" x 2.6 Light High Grip
REAR TIRE	WTB Trail Boss G2 27.5" (650b) x 2.6 66/67 TCS Light/Fast Rolling
SEAT POST	Greyp by Leadtec - LCSP-62 bore dia 31.6mm, 400mm
SEAT	Fizik Tundra M5
SHIFTER	Box Components Box Two-E 9 Speed Twin Shifter
DERAILLEUR	Box Components Box Two-E 9 Speed Rear Derailleur
CHAIN	Box Components Box Two-E 9 Speed Chain
CASSETTE	Box Components Box Two-E Cassette
MOTOR / NOMINAL POWER	MPF 6.0c, custom firmware, OTA updatable / 250W
BATTERY PACK	Greyp custom, 36V, 700 Wh (Li-ion), OTA updatable
CHARGING PORT	Rosenberger RoPD C003, magnetic
CHARGER	Greyp custom smart charger, 36V, 4A

COMPONENT/MODEL	G5.2
FRAME	T700 carbon fiber reinforced composite (sizes S, M & L)
SUSPENSION - FORK	FOX Performance Series 34 FLOAT 29 140 GRIP 3-Position Lever 110mm Axle 1.5 T Black Ano Matte Black Standard Chassis 44mm rake
BRAKES	Formula Cura 4 (4 pistons, electronic break sensor)
ROTORS	203mm front / 203mm rear
STEM	35MM, CUSTOM WITH INTEGRATED CIM (CENTRAL INTELLIGENCE MODULE)

COMPONENT/MODEL	35MM, CUSTOM WITH INTEGRATED CIM (CENTRAL INTELLIGENCE MODULE)
INTEGRATED CAMERAS	Front and rear, wide angle 1080p@30fps
SENSORS	GPS, Gyro 3 axis, Accelerometer 3 axis, Barometer
CONNECTIVITY	3G module with eSIM, Bluetooth 4.2, Wi-Fi module, USB type C
CONNECTIVITY PROVIDER	T-Mobile, free of charge until December 31 st 2024
MOBILE APP OS	Android / iOS
DISPLAY	3", TFT, 240x400, transfective, sunlight readable
HEART RATE MONITOR	Wristband Heart Rate Monitor, 2 optical sensors, Bluetooth 4.0 & ANT+
HEADSET	FSA Gravity SX pro
HANDLEBARS	Greyp custom, width 770mm, 38mm rise, 9° back sweep, 5° upsweep
HANDLEBAR GRIPS	WTB ACE PADLOCK - BULGED (custom)
PEDALS	Greyp custom flat pedal, die-cast aluminum & Cr-Mo axle
CRANKS	Greyp custom, 175mm, ISIS, Alloy forged
FRONT WHEEL	Mavic E-Crossmax 29', width 30mm, boost
REAR WHEEL	Mavic E-Crossmax 27.5', width 30mm, boost, XD freehub body
HUBS	MAVIC
FRONT TIRE	SCHWALBE NOBBY NIC 60-622 (29 x 2.35) - SnakeSkin, TLE, E-25, ADDIX SpeedGrip, Black
REAR TIRE	SCHWALBE NOBBY NIC 65-584 (27.5 x 2.60, 650B) - SnakeSkin, TLE, Apex, E-25, ADDIX SpeedGrip, Black
SEAT POST	KS SHOCK - LEV-DX 335/100mm
SEAT	Fizik Tundra M5
SHIFTER	SRAM GX-e X-ACTUATION™ Trigger Shifter
DERAILLEUR	SRAM GX 1x11 X-HORIZON™ Rear Derailleur
CHAIN	SRAM PC-1130 Chain
CASSETTE	SRSM XG-1150 FULL PIN™ Cassette
MOTOR / NOMINAL POWER	MPF 6.0c, custom firmware, OTA updatable / 250W
BATTERY PACK	Greyp custom, 36V, 700 Wh (Li-ion), OTA updatable
CHARGING PORT	Rosenberger RoPD C003, magnetic
CHARGER	Greyp custom smart charger, 36V, 4A

2

General notes about riding

The G5 motor provides pedal assistance while you are pedaling, and the bike is in motion. The amount of pedal assistance will be higher or lower depending on the amount of force applied to the pedals. If you stop pedaling, the motor will stop providing any assistance. The G5 bike can also be ridden as a normal bicycle without motor assistance by switching the bike to the OFF mode. The same applies if the battery is empty.

The Greyp G5 bike has a walk-assist mode (the motor engages without pedal force being applied) which is designed to provide assistance when walking the bike up a hill.

Riding tips

Below are some riding tips, which may also reduce the component wear and increase the battery range.

- » *Pay attention to your speed when going into a corner and be sure to stop pedaling well before entering the corner. Otherwise you may have too much speed as you enter the corner;*
- » *Ride efficiently and look ahead. Any time a braking force is applied, more energy is needed to get the vehicle back up to speed;*
- » *Shift gears regularly to stay in an optimal cadence range and downshift before coming to a stop;*
- » *Reduce pedal force before initiating a gear shift to reduce drivetrain wear;*
- » *Check the tire pressure regularly - low pressure can cause the tires to roll inefficiently;*
- » *If your vehicle is exposed to cooler weather, keep the battery stored indoors until just before riding;*
- » *Do not expose your vehicle to excessive heat;*
- » *Only carry the cargo you need - more cargo weight requires more energy to move.*



WARNING — Improper derailleur shifting technique could cause your chain to jam or come off, causing you to lose control and fall.

Pre-Ride Inspection

- » *Prior to the first ride, charge the battery to 100%;*
- » *Check to ensure that the quick-release levers or axle nuts are tight;*
- » *Check the brake pads and brake disc rotors for excessive or uneven wear;*
- » *Make sure that all bolts on the brakes, drive train and steering parts are tight;*
- » *Spin the rims – check for wobbles while observing the rims on the rims*
- » *Check the tire pressure;*
- » *Check the tires for excessive wear, cracking, bulges or gashes;*
- » *Check that the gears shift smoothly;*
- » *Check the chain and sprockets for rust, dirt, stiff links or noticeable signs of wear (the chain should be clean and lubricated, be sure to use a chain-elongation gauge);*
- » *Apply the front brake, and push the bike forward and backward (the headset should be tight and not make any clunking noises).*



WARNING — Being aware of your surroundings can drastically reduce incidents. If you are on the road please be aware of traffic and road condition. In off-road conditions there may be less friction between the tire and the ground, which can make you lose control and cause an accident.



CAUTION — Your field of view is particularly shorter, in fact very short, when riding at night. Obstructions are more difficult to see at night. Please, be very cautious, slow down to compensate for the much shorter reaction time and ride at a speed appropriate to your field of vision and surroundings.

Riding tips for children

Greyp bikes are only designed and tested for use by one person at a time and are not intended for children below the age of 16. Do not allow children under 16 years old to drive a Greyp bike.

Derailleur

The G5.1 is using a Box-Two-E 9 Speed derailleur, for more information please refer to: www.boxcomponents.com

The G5.2 is using a SRAM RD-GX-1-A1 derailleur, for more information please refer to: www.sram.com

Seat post – basics



WARNING – Make sure that the seat position is adjustable so that the feet of a seated rider can touch the ground. If your bike does not fit properly, you may lose control and fall.

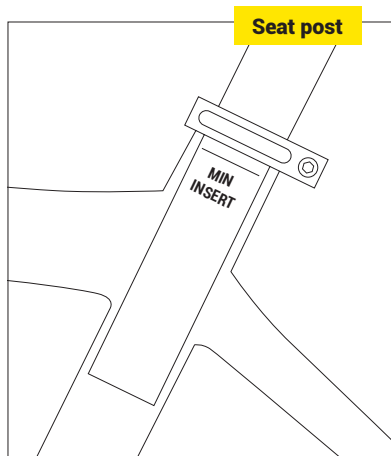


WARNING – After any saddle adjustment, be sure that the saddle adjusting mechanism is properly seated and tightened before you ride your bike again.

A loose saddle clamp or seat post clamp can cause damage to the seat post, or can cause you to lose control and fall. A correctly tightened saddle adjusting mechanism will allow no saddle movement in any direction. Periodically check to make sure that the saddle adjusting mechanism is properly tightened.

The saddle height is always measured with the crank arm pointed down and in line with the seat tube. The distance from the center of the pedal axle to the top of your saddle is your saddle height. Before changing the height of your saddle, you should measure your current saddle height.


All seat post models must be inserted into the vehicle's seat tube to cover the minimum insertion line indicated on the seat post. Insufficient insertion of the seat post into the vehicle frame's seat tube could result in damage to the seat post and/or vehicle and may result in loss of control of the vehicle, which may lead to serious injury or death.



Brakes – basics





WARNING – Braking devices on Greyp bikes are a high-performance product, offering a stopping power greater than normal brakes. As a result, less effort is required to lock up the wheel when braking. Be careful, as a locked wheel can result in loss of control over the bike and can cause injuries. Brakes are essential for the safe use of any bike, therefore an improper setup and use of the brakes can make you lose control and cause an accident, with unpredictable consequences and/or potentially serious injuries. Disc brakes get VERY hot when used. Commonly the left lever operates the front brake and the right lever operates the rear brake (this may vary depending on country).

 **CAUTION** – NEVER touch the caliper or the rotor immediately after use. Make sure the brakes have cooled down before working on them.

The brake rotors must be installed on wheels that are suitable for this type of brake system. A wheel with an insufficient spoke section or with radial spoke lacing can break under normal use of the braking system and cause serious injury, accident or death. Check with your wheel manufacturer BEFORE installation to ensure compatibility.

Check the spoke tension and condition frequently. A damaged spoke may break suddenly and interfere with the braking system, which may result in serious personal injury, accidents or death.


 **WARNING** – Before every ride, please make sure there are no fluid leaks in the system by applying the lever and holding it down as far as it will go. Check the hose connections and the brake fluid reservoir for any leaks. Consult a professional mechanic if there are fluid leaks, because a fluid leak can cause a serious accident or even death!

 **CAUTION** – Braking distances may be greater in wet weather and use of the brakes can make you lose control, fall and cause an accident.

Test the brakes and your braking technique on flat and even ground before using the bike in more severe conditions.

You can find more info about Formula Cura brakes on www.rideformula.com

Suspension – basics

 **WARNING** – Improperly installed, maintained or adjusted components are extremely dangerous and can result in severe and/or fatal injuries. If you have any questions about the installation of these components, please consult a qualified bicycle mechanic.

Front suspension

G5.1 is using a MARZOCCHI Bomber Z2 fork. Please refer to the MARZOCCHI Bomber Z Owners Guide for instructions. You can find more info about Bomber Z2 on:

www.marzocchi.com

G5.2 is using a FOX Performance Series 34 fork. Please refer to the FOX Performance Series 34 manufacturer's instructions. You can find more info about FOX Performance Series 34 on:

www.ridefox.com

Recommended tire pressure

Tire pressure is an important factor for riding the bike properly. If the tire pressure is too high, the tire will not conform to the ground, reducing traction. It is important to have an accurate pressure gauge when setting the tire pressure; preferably a digital gauge with a 0.03 [bar] (0.5 [psi]) accuracy.

The recommended tire pressure will vary slightly based on rider weight, riding style, and terrain. Some riders may find it helpful to start a ride at a slightly higher pressure than recommended

and let out a little air throughout the course of their ride until they find their ideal riding tire pressure.

Maximum recommended tire pressure for:

G5.1 is 2 bar [30 psi)

G5.2 is 3.5 bar [50 psi] for the front tire and 3 bar [45 PSI] for the rear tire.



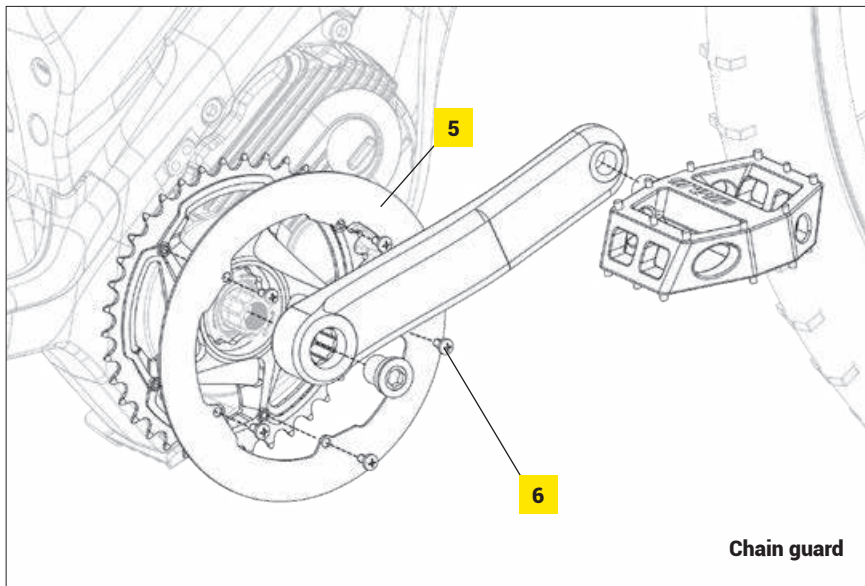
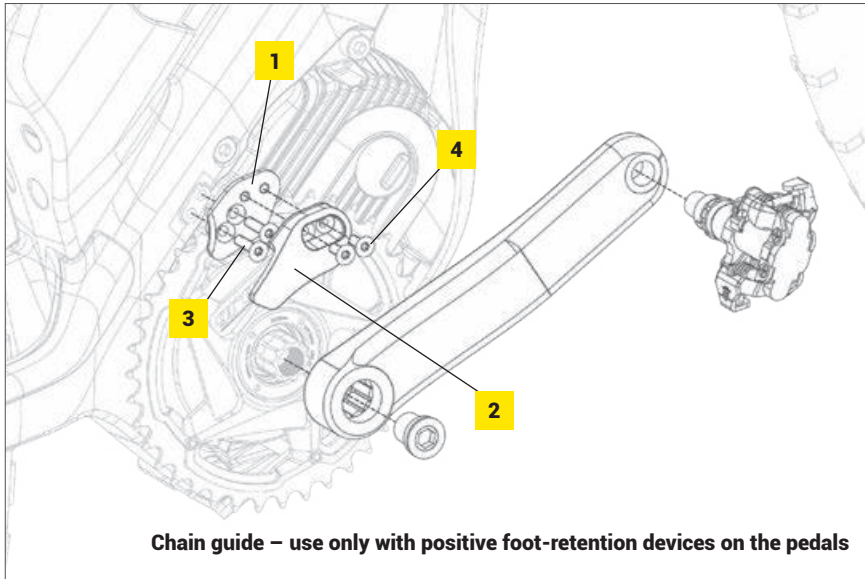
WARNING — If the maximum pressure values in this manual and values on the side wall of a tire are in any way different, please refer to the ones that are marked on the tire's sidewall or wheel (which ever is lowest). Never inflate a tire beyond the maximum pressure marked on the tire's sidewall. Exceeding the recommended maximum pressure may blow the tire off the rim, which could cause damage to the bike and injury to the rider and/or bystanders.

You can find the minimum recommended tire pressure on the tire side wall. Never inflate tire below the minimum recommended tire pressure. If the tire pressure is too low, the tire could pinch flat and be difficult to handle and can cause loss of control.

Assembling parts supplied unassembled

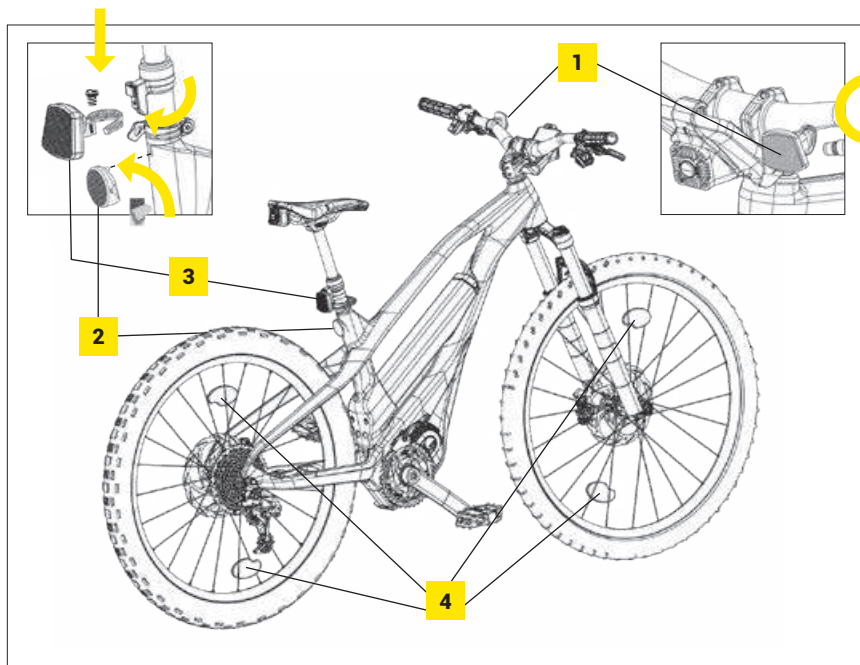


CAUTION – Do not use the chain guide and the chain guard at the same time.



CHAIN GUIDE OR CHAIN GUIDE MOUNT

	NAME/DESCRIPTION	TORQUE, Nm [lb ft]
1	CHAIN GUIDE ALUMINUM PART	-
2	CHAIN GUIDE PLASTIC PART	-
3	DIN 7991 M5X18	4 [3]
4	DIN 7991 M5X12	4 [3]
5	CHAIN GUIDE	-
6	ISO 7045 M4X8	4 [3]



REFLECTORS

	NAME/DESCRIPTION
1	FRONT REFLECTOR 313/5K
2	REAR REFLECTOR 314/1
3	REAR REFLECTOR 313/1ZB
4	SPOKE REFLECTOR 309 (M); (US - RR-530-WUW)

3

Battery and charger

Your vehicle is powered by a Lithium-ion (Li-ion) battery. Always adhere to the following instructions when handling or charging the battery or when using the G5. Only use a Greyp battery with the corresponding Greyp bike. Do not use the Greyp battery with other products or any other battery with the Greyp bike, even if it should fit.

Turn off the bike, unplug the charger from the bike and remove the battery from bike before performing work of any kind, such as installation, maintenance, cleaning and/or repair. When transporting or handling the battery separately from the bike, make sure that the battery is turned OFF (you can do this by plugging the battery to the bike - if the bike doesn't turn on by itself that means that the battery is turned OFF). Touching the contacts when the battery is ON can result in electric shock and/or injury.

Before riding the bike, make sure the battery is properly secured in the frame.

Do not modify, open or disassemble the battery or charger, as modification or disassembly may result in a short circuit, fire or malfunction.

Be careful when handling the battery and do not drop it.

Battery technical data

GREYP G5 BATTERY PACK INFORMATION

MANUFACTURER:	GREYP BIKES D.O.O.
MODEL/TYPE REFERENCE:	6G-01
WEIGHT:	3.5 Kg
BATTERY TYPE DESIGNATION:	10INR19/66-6
CELL CONFIGURATION:	10S6P
CAPACITY (AH):	19.3 Ah
ENERGY (WH):	700 Wh

GREYP G5 BATTERY PACK INFORMATION

COMMUNICATION:	CAN
APPLICATION USING ENVIRONMENT:	INDOOR AND OUTDOOR, -20~50 °C [-4~122°F]
COOLING:	NATURAL CONVECTION
CHARGING	BETWEEN 0-40 °C [32~104°F]
PROTECTION:	PROTECTION TYPE: FUSE/ CELL CHARGE TEMP, DISCHARGE TEMP / CELL VOLTAGE PROTECTION RATING : 40 A/ 0°C [32°F] TO 55°C [131°F] , -20°C [-4°F] TO 60°C [140°F] / 2.5 TO 4.19 VOLTS OVERLOAD PROTECTION: 30 A, 5 s SHORT CIRCUIT PROTECTION: 150 A
OTHER INFORMATION:	CELL INFORMATION : LG INR18650-MJ1, Li-Ion, 3.63 V, 3500 mAh OUTPUT CONNECTOR: ROPD TYPE, AUTOMOTIVE, 48 V, 30 A, UV RESISTANT
CHARGING METHOD:	CC/CV
I CHARGE MAX:	9.0 A
I CHARGE:	4.0 A (OPTIONAL: 8.0 A)
I DISCHARGE:	20.0 A CONTINUOUS
U CHARGE MAX:	42.0 V
U CHARGE NOM:	36.3 V
U DISCHARGE END:	25.0 V
U CHARGE END:	41.9 V
CERTIFICATION:	UN 38.3 (6TH ED.)

Important battery information



WARNING – Failure to follow the instructions in this section may result in damage to the electrical components on your bike and will void your warranty, but, most importantly, may result in serious personal injury or death. If your battery or charger exhibits any signs of damage, do not use it and immediately bring it to your authorized Greyp Bikes retailer for inspection.



The connector used for the battery and charger is magnetized (RoPD) and can attract metal objects. Do not allow any screws or other small, sharp and/or metallic objects to come in contact with the battery connector, bike charging socket or charger connector.

Every time before you plug in the battery or charger check the battery connector, the bike charging socket and the charger connector for any damage or a foreign object. In case of any damage do not connect the battery or the battery charger and please contact your authorized Greyp Bikes retailer. In case of a foreign object, please remove it before you connect the battery to the bike.

Keep the battery away from metal objects as that can cause a short-circuit.

Do not allow the battery to overheat and protect it from excessive sun exposure. Do not expose the battery to open fire or radiator heat.

Do not immerse the battery in water and do not directly spray the battery (or the connectors if the battery is removed) with pressured water.

In the event of an inadequate connection between the charger connectors and the battery connector or the charging socket there could be functional problems and it is a potentially hazardous situation. In this case you should disconnect the charger connector and the battery and check what has caused the inadequate connection.

Do not use a battery that shows any signs of damage (hollow casing, cracked lid, cracked connector, damaged connector) or is leaking any fluids. Battery liquid can cause skin irritation and burns. In the event of damage that could result in skin or eye contact with the battery fluid, rinse the skin or eyes immediately with water and seek medical help.

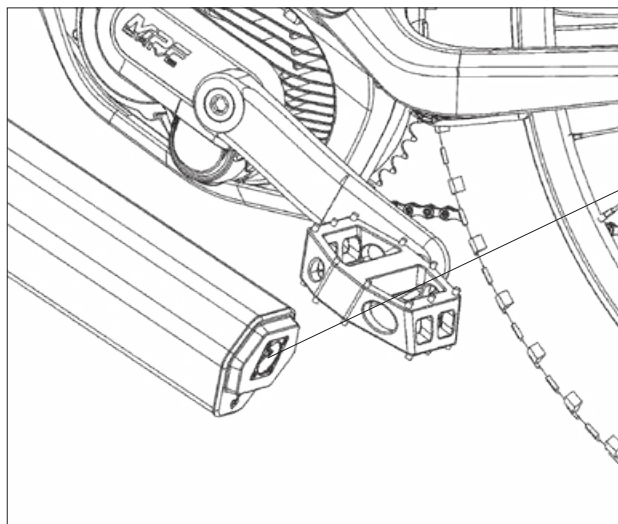
The battery is heavy, so please be careful when handling it and do not drop it.

Do not connect the battery connector, the bike charging socket or the charger connector if it is wet. You can use a dry cloth to dry the battery connector, the bike charging socket or the charger connector. It is important that you follow the instructions on the label of the battery charger and always use the appropriate Greyp charger.

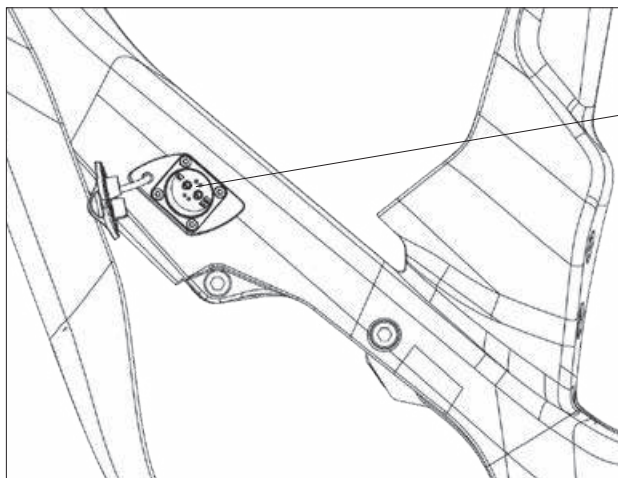
The battery can be charged whether installed in the bike or not. Refer to the appropriate instructions regarding removing and installing the battery. Please charge the battery only at an ambient temperature between 0°C and 40°C (32°F and 104°F). If outside temperatures are too hot or too cold, charge the battery inside. For safety reasons, if the battery is too hot or too cold, it will not charge.



ON THE BATTERY



ON THE BIKE



Plug the charger plug into an appropriate AC outlet (depending on the charger) and use the appropriate plug/adaptor for the country's standard.

Please uncover the charging socket on the bike, then connect the charger to the charging socket on the bike. It is possible to charge the battery when removed from the bike. In that case, please plug the charger into the battery socket.

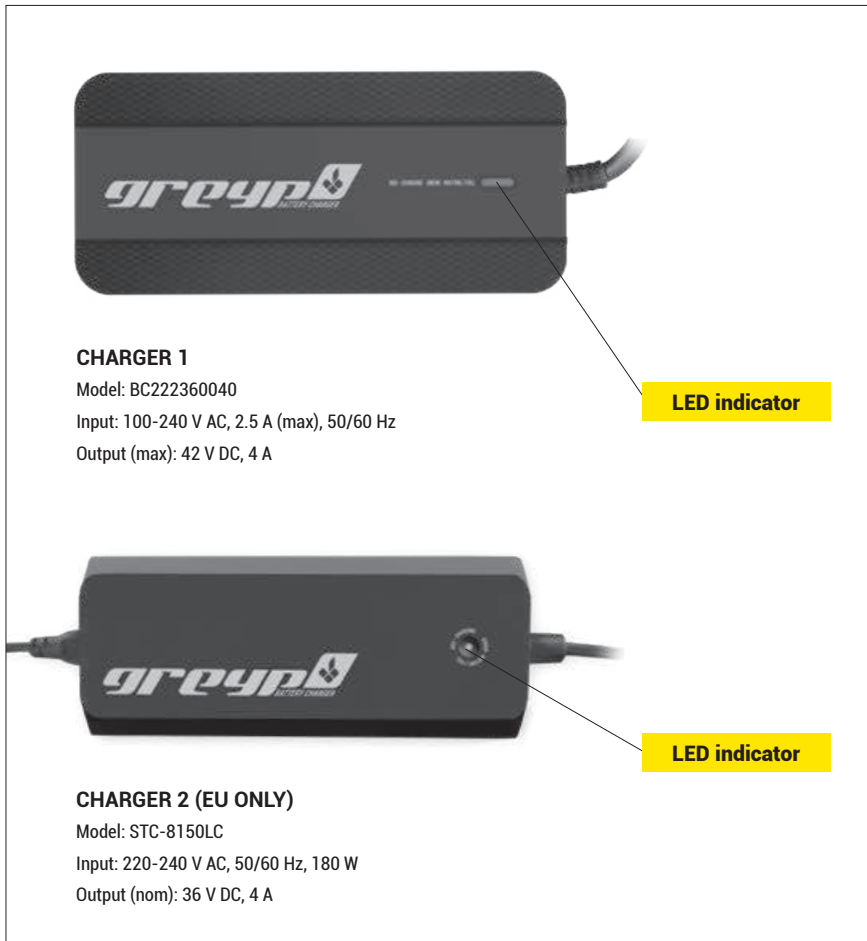
During the charging process, the light on the charger will glow red. When the battery is fully charged, the light on the charger will turn green. When monitoring the charging process, please check the LED indicator light on the charger.

When charging is complete, disconnect the charging plug from the battery socket and unplug the charger from the wall socket.

Please make sure that the input voltage of the charger is in range of the power grid voltage you plan to use.



CAUTION - If the LED indicator flashes red during the charging process, a charging error has occurred. In that case, immediately remove the charger from the socket, discontinue the use of the motor support and contact your authorized Greyp Bikes retailer.



Battery life

Your bike should be stored in dry conditions. If you plan to store the battery for a period longer than a few weeks, make sure that the SoC (state of charge) is between 30% and 40%. It is necessary to check the battery frequently, even if the bike is not being used, in order to avoid permanent damage to the battery.

Strongly reduced operating time after charging can be a sign that the battery is reaching the end of its lifespan and must be replaced. Provided the bike has been used properly, approximately 80% of the battery's original capacity should remain after 500 charging cycles or two years.

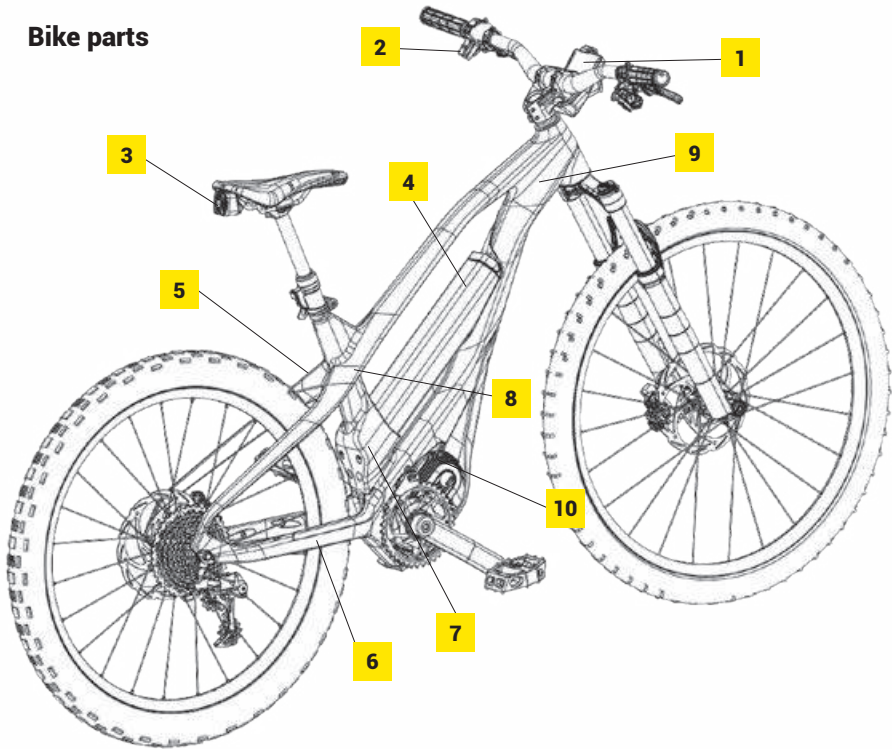
Recharging the Greyp battery takes approximately 5 hours. Please do not wait for the battery to completely empty before recharging, and do not leave a full or empty battery for a longer period of time, as this will reduce the battery life. Try to keep the battery between 20%-80% to extend the battery life. If you know that your planned route is shorter and you don't need a full battery, we recommend that you charge the battery up to 80% of the SoC instead of 100%. This way you will extend the useful life of the battery.

The worst thing is to leave a completely empty battery uncharged for a longer period. This could lead to reduced battery life or permanent damage to the battery pack.

4

System functions

Bike parts

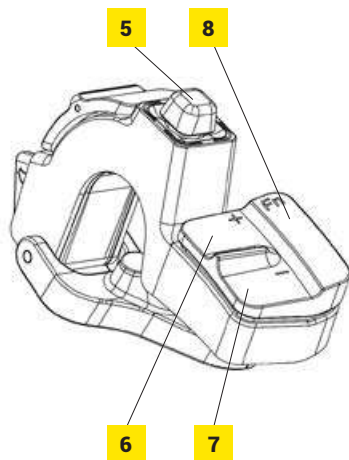
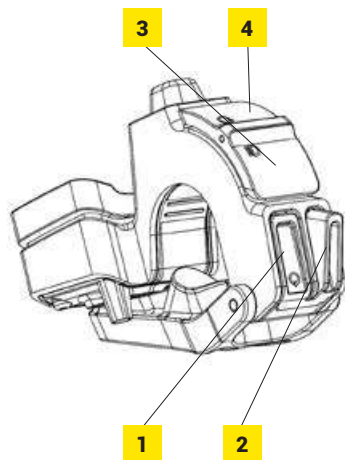


BIKE PARTS

NAME/DESCRIPTION

1	DISPLAY UNIT (CIM)	6	CHAINSTAY
2	CONTROL UNIT (CBC)	7	PUSHPLATE
3	REAR CAMERA (BUTS)	8	RATIO LEVER
4	BATTERY	9	FRAME
5	SEATSTAY	10	MOTOR

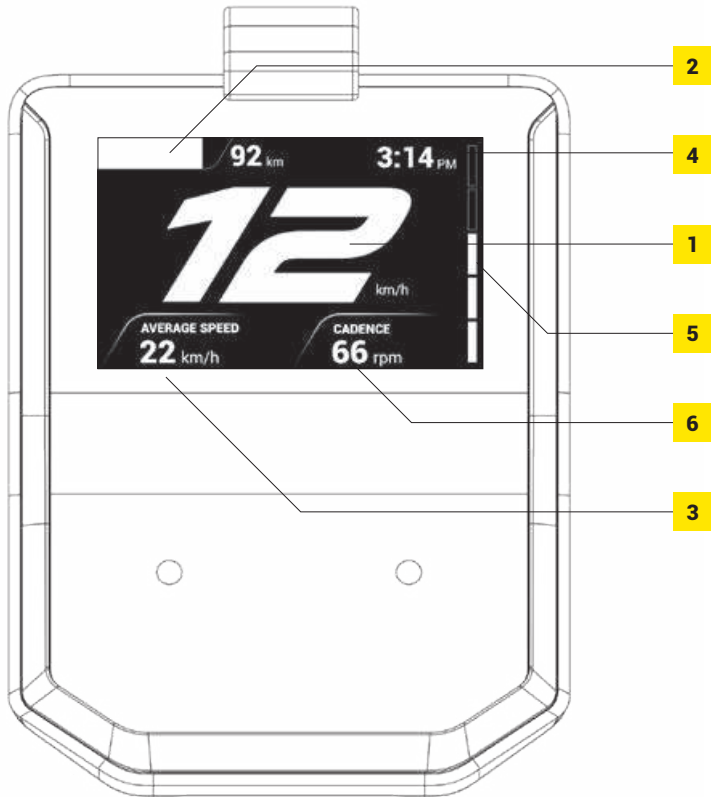
Control unit functions



LEGEND

NAME/DESCRIPTION	ICON	FUNCTION	TYPE
1 POWER		ON/OFF AND STANDBY	LONG/SHORT PRESS
2 WALK ASSIST		WALK ASSIST	PRESS & HOLD
3 LIGHT		TURN ON/OFF FRONT AND REAR SIGNAL LIGHT	SHORT PRESS
4 RETRO VIDEO		WORKS ONLY WITH THE MOBILE APP	
5 JOYSTICK		SWITCH BETWEEN DISPLAY FUNCTIONS	SHORT PRESS IN ALL DIRECTIONS
6 ASSIST LEVEL UP		INCREASE LEVEL OF ASSISTANCE	SHORT PRESS
7 ASSIST LEVEL DOWN		DECREASE LEVEL OF ASSISTANCE	SHORT PRESS
8 FUNCTION		VARIOUS FUNCTIONALITIES (SEE NEXT PAGES)	


Display unit information

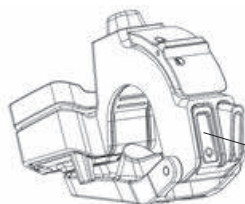


CIM DISPLAY INTERFACE

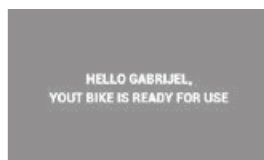
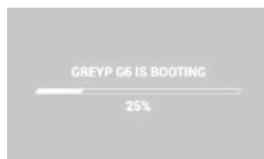
NAME/DESCRIPTION	
1	SPEED
2	BATTERY CHARGE / REMAINING DISTANCE
3	RIDE STATISTICS
4	TIME
5	ASSIST LEVEL
6	CADENCE

Power on


 to turn the bike on, please long press the power button

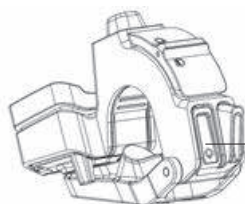


short press



Standby mode on

 to put your bike in standby mode, please short press the power button

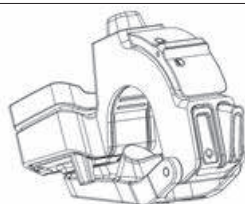


short press



Standby mode off


to wake up the bike from standby mode, please press any button on the control unit or move the bike

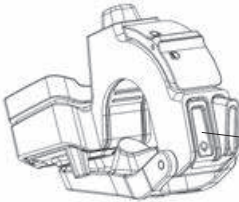


press any button

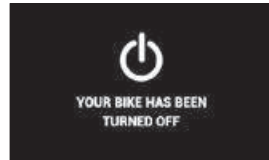


Power off


 to turn the bike off, please long press the power button

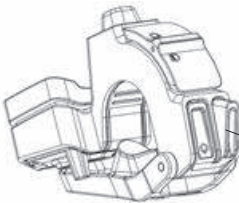


long press




Walk assist mode

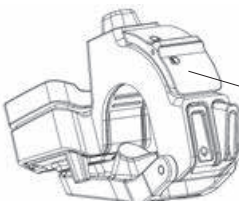
 to activate the walk assist mode, please press and hold walk assist button



press and hold


Lights on/off

 to turn the lights on or off, short press the light button

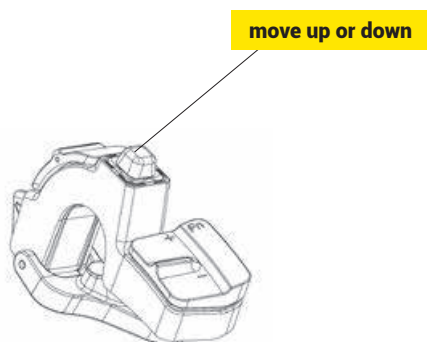


short press


Joystick

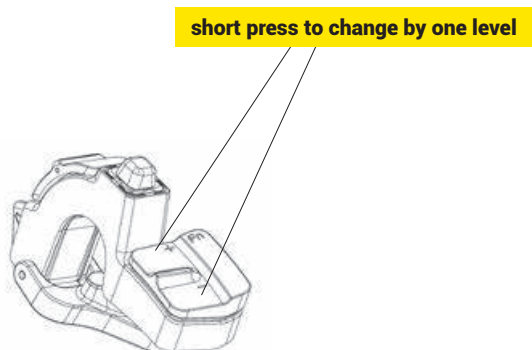
 to switch between different information on the display unit, please move the joystick up or down

- » TRIP
- » ODOMETER
- » AVERAGE SPEED
- » TRIP TIME



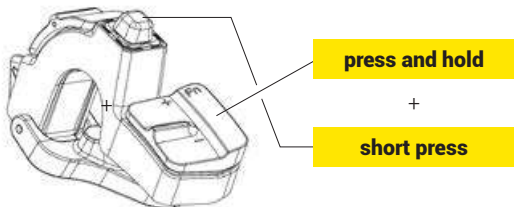
Assist level up/down

 to change the assistance level, please short press the plus or minus assist level button

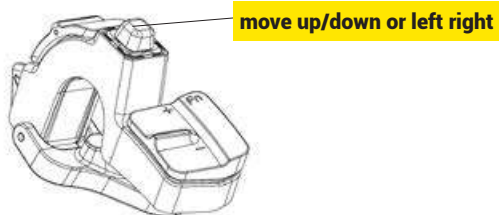


Info and Pair a bike screen

Fn + ⏪ to access the info screen, please use a combination of buttons

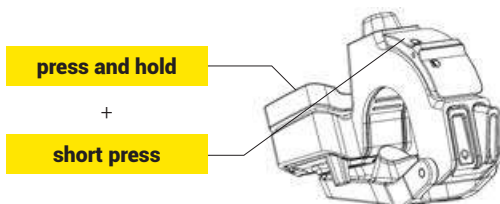


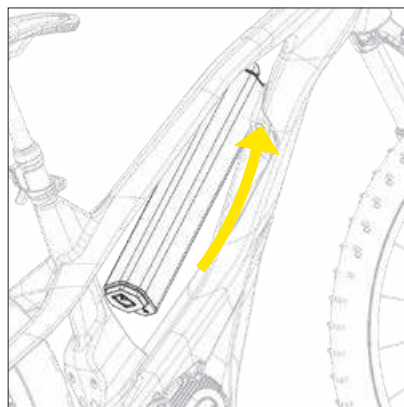
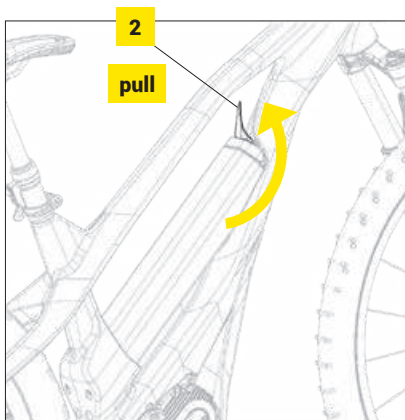
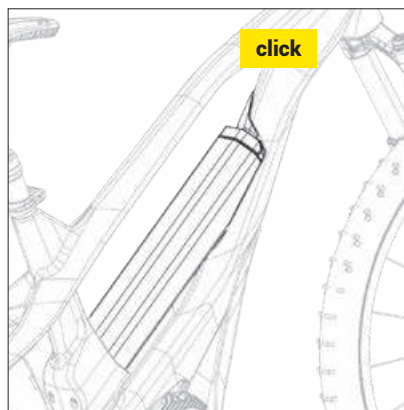
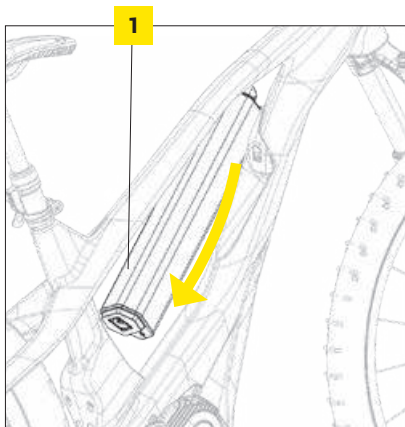
⏪ please move the joystick up or down to scroll inside the screen or move the joystick left/right to switch between screens



Manual Software Update

Fn + ⏪ to start the software update please use a combination of buttons, make sure your bike is connected to a charger and connected to your personal hotspot.





BATTERY PACK MOUNT/DISMOUNT

NAME/DESCRIPTION

1 BATTERY

2 BATTERY LOCK

5

Bike maintenance & range

Maintenance



WARNING – Failure to follow the instructions in this section may result in damage, serious personal injury or death. If your bike exhibits any signs of damage, do not use it and immediately bring it to your authorized Greyp Bikes retailer for inspection.

All regular maintenance, troubleshooting, repair and parts replacement must be performed by an authorized Greyp Bikes retailer.



WARNING – If your use of a bike applies more stress to it than the stress it is intended for, the bike or its parts can be damaged or broken. A damaged bike could decrease your control and cause you to fall. Please do not ride in conditions that apply more stress than the limits of the bike allow. If you are not sure of the limits of the bike, please consult your authorized Greyp Bikes retailer.

Please take great care not to damage the carbon fiber or the composite material. Any damage may result in a loss of structural integrity, which may result in a catastrophic failure. This damage may or may not be visible during an inspection. So, before each ride, and after any crash, please carefully inspect your bike for any fraying, gouging and scratches through the paint, chipping, bending, or any other signs of damage. If you should discover anything, please do not ride the bike and take it to your authorized Greyp Bikes retailer for a complete inspection.

The lifespan, type and frequency of maintenance depend on many factors, such as frequency and type of use, rider weight, riding conditions and/or impacts. Additionally, the G5 uses a power-assisted drive system, which means more distance at different rates, depending on the component. The drivetrain and the brake components are especially subject to wear. Please have your authorized Greyp Bikes retailer periodically inspect your bike and its components.

Exposure to harsh elements, especially salty air (such as riding near the ocean or in the winter) can result in galvanic corrosion of components, which can accelerate wear and shorten the bikes lifespan. Dirt can also accelerate the wear of surfaces and bearings. The surfaces of the vehicle should be cleaned before each ride. Proper care and regular maintenance can help increase the longevity of components. Should you notice any signs of corrosion or cracking on the frame or any component, please replace the affected item. While riding, listen for any creaks, as a creak can be a sign of a problem with one or more components. Periodically examine all surfaces in bright sunlight to check for any small hairline cracks and if you discover

any, no matter how small, or any damage to components, please immediately stop riding and have the part inspected by your retailer. The bike should also be maintained regularly by an authorized Greyp Bikes retailer, which means it should be cleaned and lubricated. Please clean and lubricate the drivetrain regularly and according to the drivetrain manufacturer's instructions.

Do not apply lubricant on rim sidewalls or disc brake rotors, as lubricant on the brake surfaces can cause decreased braking function and increase the possibility of an accident or injury. If any lubricant or any other fluid gets on the brake disc rotor, remove the wheel from the bike and clean the brake disc rotor thoroughly. If you get any on the brake pads, replace them. Do not use a high-pressure water spray directly on the bearings. Even water from a garden hose can penetrate bearing seals and crank interfaces, which can result in increased bearing and crank wear, in turn affecting the normal function of the bearings. Please use a clean, damp cloth and bicycle cleaning agents for cleaning; do not expose the bike to prolonged direct sunlight or excessive heat, such as inside of a car, parked in the sun or near a heat source such as a radiator.

It is very important that you only use genuine replacement parts for safety-critical components.

Bike wheel rims are subject to wear, so please ask your authorized Greyp Bikes retailer about wheel rim wear. Riding a wheel that is at the end of its usable life can result in wheel failure, which can cause you to lose control and fall. Loose or damaged handlebar grips, end plugs or extensions should be replaced, as they can expose the ends of the handlebar, which have been known to cause injury, and they can cause you to lose control and fall.



WARNING — Riding with an improperly secured wheel can allow the wheel to wobble or fall off the bike, which can cause serious injury or death. Therefore, it is essential that you:

1. Ask your retailer to help you make sure you know how to install and remove your wheels safely.
2. Understand and apply the correct technique for clamping your wheel in place.
3. Each time before you ride the bike, check that the wheel is securely clamped.
4. The clamping action of a correctly secured wheel must emboss the surfaces of the dropouts.

The following parts must only be replaced with original components:

- | | |
|--------------------------|-----------------------|
| » <i>Frame</i> | » <i>Brakes</i> |
| » <i>Battery</i> | » <i>Charger</i> |
| » <i>Display unit</i> | » <i>Motor unit</i> |
| » <i>Electric wiring</i> | » <i>Control unit</i> |
| » <i>Brake hoses</i> | » <i>Sensors</i> |

Appropriate spares for G5.1,G5.1(US),G5.2 and G5.2(US):

FRONT TIRE	REAR TIRE	BRAKES	ROTORs	INNER TUBE
For all G5.1 and G5.1(US) - WTB Vigilante 29" x 2.6	WTB Trail Boss G2 27.5" (650b) x 2.6 66/67 TCS Light Fast Rolling	For all G5.1 and G5.1(US) FORMULA CURA	Six-bolt G5.1 and G5.1(US) 180 mm[7"]	Front - Schwalbe SV19 Tube Presta
For all G5.2 and G5.2(US) - SCHWALBE NOBBY NIC 29" x 2.35	SCHWALBE NOBBY NIC 65-584 (27.5 x 2.60, 650B) - SnakeSkin, TLE, Apex, E-25, ADDIX SpeedGrip, Black	For all G5.2 and G5.2(US) FORMULA CURA 4	G5.2 and G5.2(US) 203 mm[8"]	Rear - Schwalbe SV21 Tube Presta

Parts replacement – recommended values

CHAIN WITH CHAIN RINGS	1,000 KM [621 MI] OR SOONER IF NEEDED
TIRES	EVERY 3 YEARS OR AT WEAR MARK
INNER TUBES	EVERY 3 YEARS OR WHEN NEEDED
FRONT HUB BEARINGS	EVERY 2,000 km [1242 mi]
BRAKE PADS	EVERY YEAR OR AT WEAR MARK
BRAKE DISCS	EVERY YEAR OR AT WEAR MARK
BRAKE FLUID	AS SPECIFIED BY PRODUCER
FORK	AS SPECIFIED BY FORK PRODUCER (see chapter Front suspension)

Range

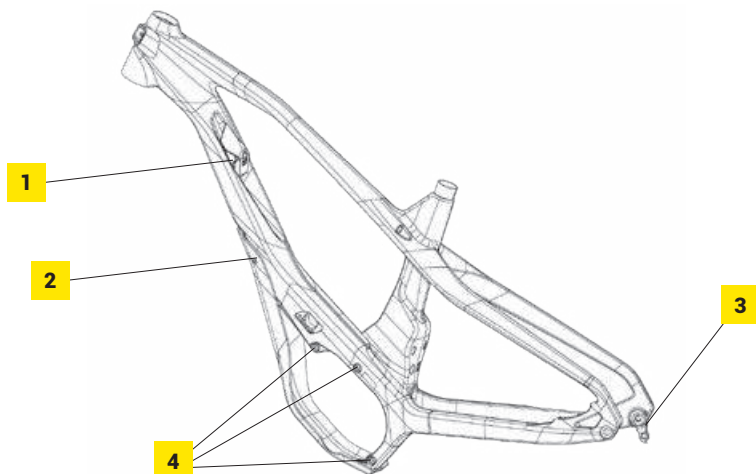
The range on one charge greatly depends on several circumstances, such as (but not only):

- » *Weather conditions such as ambient temperature and wind;*
- » *Road conditions such as elevation and road surface;*
- » *Bike conditions such as tire pressure and maintenance level;*
- » *Bike usage such as acceleration and shifting;*
- » *Rider and luggage weight;*
- » *Charge and discharge cycles.*

Shifting recommendations

For better range, Greyp advises shifting according to the speed. For low speeds, low gearing is best. The higher the speed, the higher the gear can be chosen. For smooth support and optimum range, it is best to release pedal pressure while shifting gears.

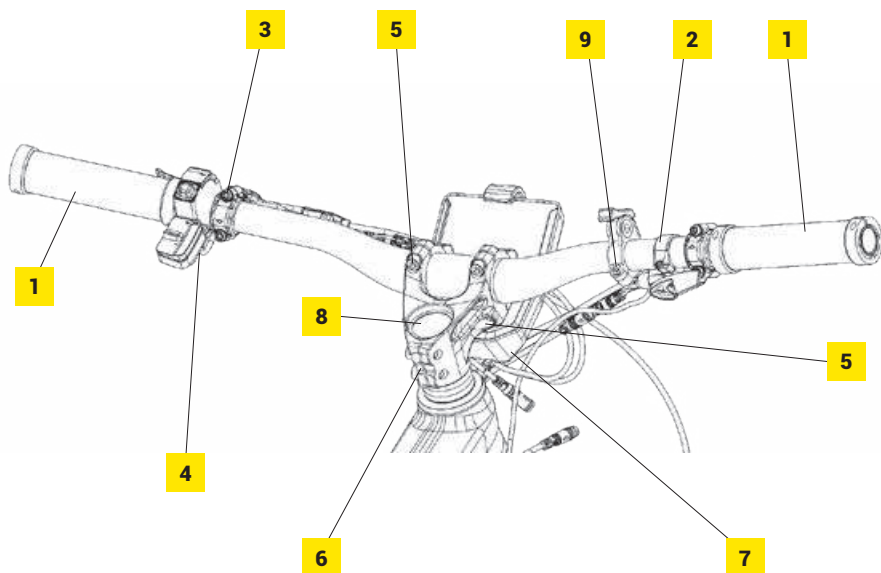
- » *high speed, high gear*
- » *low speed, low gear*
- » *release power during shifting*



Recommended tightening of fasteners

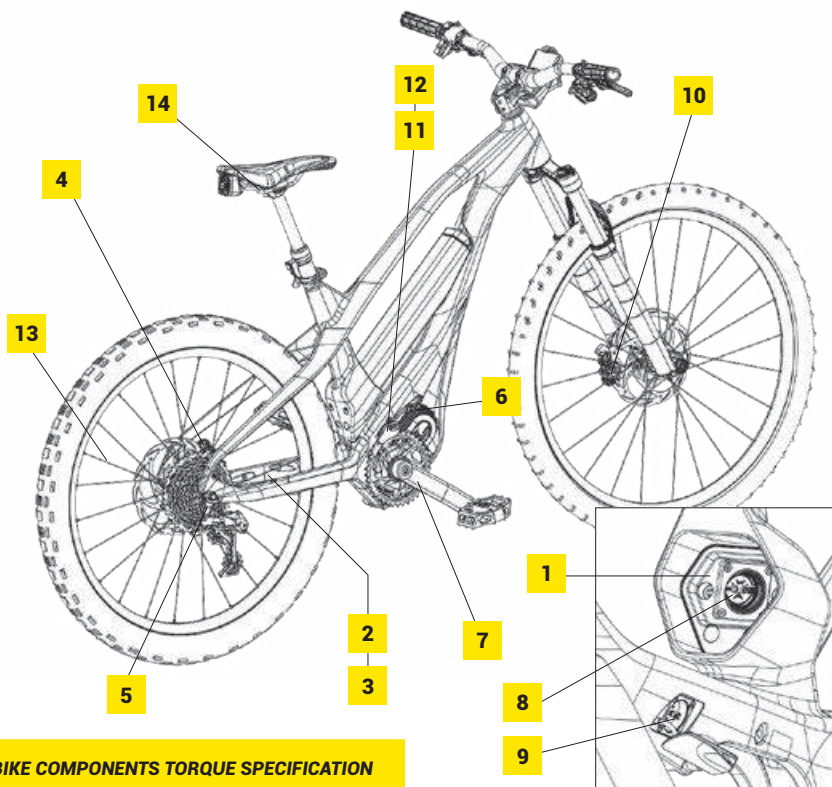
FRAME TORQUE SPECIFICATION

	NAME / DESCRIPTION	TORQUE, Nm [lbf ft]
1	BATTERY LOCK	2-3 [1.5-2.2]
2	SKID PLATE	5 [3.7]
3	DROPOUT	6 [4.4]
4	FRAME / MOTOR	10 [7.4]



HANDLEBAR PARTS / STEM / TORQUE SPECIFICATION

	NAME / DESCRIPTION	TORQUE, Nm [lbf ft]
1	GRIPS / HANDLEBAR	2 [1.5]
2	SHIFTER / HANDLEBAR	4 [3]
3	BRAKE LEVERS / HANDLEBAR	4 [3]
4	CBC / HANDLEBAR	1,2 [0.9]
5	STEM / HANDLEBAR	9 [6.6]
6	STEM / FRONT FORK	12 [8.9]
7	CIM / STEM	1 [0.7], MAX <2 [1.5]
8	HEADSET / FRONT FORK	6 [4.4]
9	SEATPOST / HANDLEBAR	3 [2.2]



BIKE COMPONENTS TORQUE SPECIFICATION

	NAME / DESCRIPTION	TORQUE, Nm [lbf ft]
1	PUSHPLATE / FRAME	4 [3]
2	SPEED SENSOR / CHAINSTAY	2 [1.5]
3	SPEED SENSOR / SPEED SENSOR HOLDER	2 [1.5]
4	REAR BRAKE / CHAINSTAY	6 [4.4]
5	DERAILLEUR / DROPOUT	12 [8.9]
6	CHAINWHEEL / MOTOR	30 [22.1]
7	CRANK ARMS / MOTOR	40 [29.5]
8	Y WIRING / PUSH PLATE	1 [0.7]
9	Y WIRING / FRAME	1 [0.7]
10	FRONT BRAKE / FRONT FORK	6 [4.4]
11	CHAIN GUIDE ALUMINUM PART / FRAME	4 [3]
12	CHAIN GUIDE PLASTIC PART / ALU PART	4 [3]
13	SPEED SENSOR MAGNET / WHEEL SPOKES	< 2 [1.5] MAX
14	SEAT POST / SEAT	10 [7.4]

6

Cleaning the bike

Most cleaning can be done with soap, water, sponges and brushes.

- » *Avoid using high-pressure sprayers because water can penetrate through seals.*
- » *Avoid using corrosive soaps and strong solvents – always use cleaning products intended for an electric bicycle.*
- » *For an extremely dirty chain we recommend the use of a solvent-bath chain cleaner.*

Chain

After every wash, the chain should be wiped and lubricated. After every few rides, please lube slightly. After every 400 km [250 mi], check for chain elongation. Use a chain-elongation gauge to determine whether the chain should be replaced.

Fork

Wipe and clean the forks after every ride, and have a full fork service every 100 hours or once a year (whichever comes first). For specific details please check the suspension manufacturer service manuals.

Lubrication

Please consult with your retailer when choosing the many types of chain lubes best suited to your climate and riding conditions. Every month, lubricate all of the pivot points of the rear derailleur, as well as the jockey wheels.

7

Warranty

General

Greyp products have been manufactured and tested to highest quality standards by Greyp Bikes d.o.o. This limited Warranty offered by Greyp Bikes d.o.o. covers defects in materials or workmanship in new Greyp products. Greyp warrants this product against defects in materials or workmanship for a period of 24 months after the first purchase. Greyp will replace any product or part of the product that proves defective due to improper workmanship and/or material, under normal installation, use, service and maintenance. If Greyp is unable to provide a replacement and if a repair is not practical or cannot be made in a timely fashion, Greyp may elect to refund the purchase price in exchange for the return of the product.

This warranty extends to the original purchaser only and is non-transferable. This warranty does not apply to rental or commercially used bikes. Only consumers purchasing Greyp products from authorized Greyp Bikes retailers or resellers or through the Greyp.com website may obtain coverage under our limited warranty. This warranty does not cover any damage or defects resulting from a failure to follow instructions in the User Manual, alterations to the original design, acts of God, accident, misuse, neglect, abuse, improper assembly, operator error, water damage or improper follow-up maintenance. Greyp explicitly exempts from coverage any damage to bicycles used for jumping, stunt riding, rental programs, observed trials and any similar extreme riding or events.

Incidental and consequential damages are also not covered. Greyp Bikes d.o.o. does not cover the cost of international warranty shipping at any time, for any reason. This warranty is expressly limited to the replacement of defective parts with those of equal or greater value at the sole discretion of Greyp Bikes d.o.o.

The repair, replacement, or refund of the purchase price, as provided by this warranty, is the exclusive remedy of the purchaser. Greyp Bikes d.o.o. neither assumes nor authorizes any person to create for it any other obligation or liability in connection with this warranty. Greyp Bikes d.o.o. shall not be liable to the purchaser or any other person for any incidental, special or consequential damages, arising under this warranty or any implied warranty, including without limitation, damages for personal injury, property damage or economic losses, whether based on a contract, warranty, negligence or product liability in connection with their products.

Some components of Greyp bikes are subject to wear and tear due to their function. The rate of wear will depend on care and maintenance and the way the bike is used. Bikes that

are often left in the open may also be subject to increased wear through weathering. The components below require regular maintenance. Nevertheless, sooner or later they will reach the end of their service life, depending on the conditions and intensity of use.

The following parts that have reached their limit of wear and tear must be replaced:

- » *Battery*
- » *Chainrings and cassette*
- » *Drive chain*
- » *Hubs and free hubs*
- » *Brake pads*
- » *Inner tubes and tires*
- » *Brake fluid*
- » *Brake disks/rotors*
- » *Bearings*
- » *Brake hoses*
- » *Lubricants*
- » *Dropper post seals*
- » *Suspension elements*
- » *Wheels and spokes*
- » *Grips*
- » *Cables/connectors*
- » *Pedals*

Battery

If the battery fails completely during the first 24 months or 500 cycles (whichever comes first) from the original date of purchase, it will be replaced or repaired at no charge. Lithium batteries require care and some maintenance to maximize life expectancy (please read chapter Battery life). Abusing the battery will void your warranty.

The warranty is void in the following cases:

- » *If damage is caused by power surge;*
- » *If damage is caused by the use of an improper charger;*
- » *If damage is caused by improper maintenance or other such misuse;*
- » *If damage is caused by normal wear;*
- » *If damage is caused by water damage;*
- » *If the battery is charged below 0°C [32°F];*
- » *If the battery is below 20% of its capacity and not charged in a period longer than one month*

If a battery needs to be removed for return shipment to Greyp Bikes d.o.o., it is the customer's responsibility to safely remove and send the battery to Greyp at their own cost. Greyp Bikes d.o.o. will reimburse the customer for its own labor & replacement parts in the first 24 months of bike ownership. Greyp Bikes d.o.o. will pay to return the battery to the customer. Greyp Bikes d.o.o. retains the right to repair or replace battery at its sole discretion. All lithium batteries must be shipped as Class 9 dangerous goods (HAZMAT) and must be shipped in accordance with all local and international laws. Lithium batteries sold by Greyp Bikes d.o.o. cannot and should NEVER be taken on board a passenger aircraft.

Frame

The Greyp frame is covered by a warranty against defects for 24 months from the original date of purchase for the original owner. If a frame is found to be defective, EU shipping, parts and labor to replace the said frame is paid by Greyp Bikes d.o.o. for the first 24 months from the original date of manufacture. The cost of repairing/replacing custom paint is never included in the frame warranty at any time.

Motor

The motor is warranted for 24 months from the original date of purchase to be free from defects. In the event of a warranty claim requiring the motor to be returned to Greyp Bikes d.o.o., the customer is responsible for the removal and the shipment to Greyp Bikes d.o.o. Greyp Bikes d.o.o. pays for the parts, in-house labor and return shipping.

Electronics

The electronics components are warranted for 24 months from the original date of purchase to be free from defects. In the event of a warranty claim requiring the electronics to be returned to Greyp Bikes d.o.o. , the customer is responsible for the removal and shipment to Greyp Bikes d.o.o. Greyp Bikes d.o.o. pays for parts, in-house labor and return shipping.

Brakes

The brakes are warranted for 24 months from the original date of purchase to be free from defects. Normal wear of the brake pads and brake disc rotor is not covered. Warranty claims on components are made in accordance with component manufacturer's guidelines. In the event of a warranty claim requiring the components to be returned to Greyp Bikes d.o.o., the customer is responsible for the removal and shipment to Greyp Bikes d.o.o.. Greyp Bikes d.o.o. pays for parts, in-house labor and return shipping.

Suspension

The suspension units are warranted for 24 months from the original date of purchase to be free from defects. Normal wear of the suspension, such as oil changes and leaking seals are not covered. Warranty claims for components are made in accordance with the component manufacturer's guidelines. In the event of a warranty claim requiring the components to be returned to Greyp Bikes d.o.o., the customer is responsible for the removal and shipment to Greyp Bikes d.o.o. Greyp Bikes d.o.o. pays for parts, in-house labor and return shipping.

Drivetrain

The drivetrain includes the sprockets, shifting system, chain and wheels. The drivetrain units are warranted for 24 months from the original date of purchase to be free from defects. Normal wear and tear of the drivetrain, such as chain and sprocket wear, tire flats, bent wheels, spokes, hubs, free hubs, bearings and worn tires are not covered. Warranty claims for components are made in accordance with the component manufacturer's guidelines. In the event of a warranty claim requiring the components to be returned to Greyp Bikes d.o.o., the customer is responsible for the removal and shipment to Greyp Bikes d.o.o. Greyp Bikes d.o.o. pays for parts, in-house labor and return shipping.

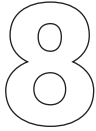
How to file a claim

Greyp Bikes d.o.o. will not provide any warranty coverage unless claims are made in compliance with all the Greyp Bikes d.o.o. Warranty Terms and Conditions and the proper return procedure is followed. To request a warranty service, the Greyp Customer Service Department needs to be contacted and the following information needs to be clearly provided:

- » *The sales receipt or other evidence of the date and place of purchase;*
- » *Full name, contact details (including telephone number and email address);*
- » *VIN number of the bike;*
- » *A description of the problem;*
- » *Images or video evidence of the problem;*
- » *Delivery of the product or the defective part, postage prepaid and carefully packed and insured, to Greyp Bikes d.o.o. or an agreed retailer.*

The product or defective part has to be delivered to Greyp Bikes d.o.o. or an agreed dealer postage prepaid and carefully packed and insured. When the warranty service is completed, any repaired or replacement product or parts will be returned to the customer postage prepaid. Greyp Bikes d.o.o. reserves the right to inspect any defective components or products to determine whether a repair or replacement is required.

Greyp Bikes d.o.o., Ljubljanska 7, 10431 Sveta Nedelja, Croatia



Disposal

The drive unit, on-board computer including operating unit, battery pack, speed sensor, accessories and packaging should be disposed of in an environmentally correct manner.

Only for EU countries:

According to the European Guideline 2012/19/EU, electrical devices/tools that are no longer usable, and according to the European Guideline 2006/66/EC, defective or used battery packs and batteries, must be collected separately and disposed of in an environmentally correct manner.

Please return battery packs and on-board computers that are no longer usable to an authorized Greyp Bikes dealer.

Batteries and chargers must not be disposed of in your household trash! All batteries and chargers must be disposed of in an environmentally friendly manner, in accordance with the battery disposal regulations in your country or state. Ask your authorized Greyp Bikes retailer for information on how to dispose of a battery or charger and any applicable take-back program.

9

EC – Declaration of conformity

MANUFACTURER	GREYP BIKES D.O.O.
ADDRESS	LJUBLJANSKA 7, 10431 SVETA NEDELJA, CROATIA
DESCRIPTION OF PRODUCT	GREYP G5.1 AND G5.2 – PEDELEC (EPAC - ELECTRIC POWER ASSISTED CYCLE)
NAME AND ADDRESS OF THE PERSON AUTHORISED TO COMPILE THE TECHNICAL FILE	DOMAGOJ TOPLIČANEC, LJUBLJANSKA 7, 10431 SVETA NEDELJA, CROATIA
THE PLACE AND DATE OF THE DECLARATION;	15/02/2020, SVETA NEDELJA

Hereby we expressly declare that the products listed above fulfil all the relevant provisions of the:

Machinery Directive (2006/42/EC), Electromagnetic compatibility (2014/30/EC), Radio Equipment Directive (2014/53/EU), Low Voltage Directive (LVD) (2014/35/EU), ROHS 2 Directive (2011/65/EU)



The following harmonizing standard was applied to the G5.1 and G5.2:

EN 15194:2017 Bicycles – electrically power assisted cycles – EPAC bicycles.

The following standard was used for G5.1 and G5.2:

EN ISO 4210

Krešimir Hlede

COO Greyp Bikes d.o.o.

Since we are constantly working on improving our user experience, you can expect frequent mobile app updates

**FIND THE LATEST VERSION OF
THE GREYP APP MANUAL ON OUR WEBSITE**

WWW.GREYP.COM



The Greyp mobile application is available on [Google PlayStore](#) and [AppStore](#)



Greyp Bikes d.o.o.

Ljubljanska 7

10431 Sveta Nedelja

Croatia

Tel: +385 1 409 3377

Fax: +385 1 333 6698

info@greyp.com

GREYP 