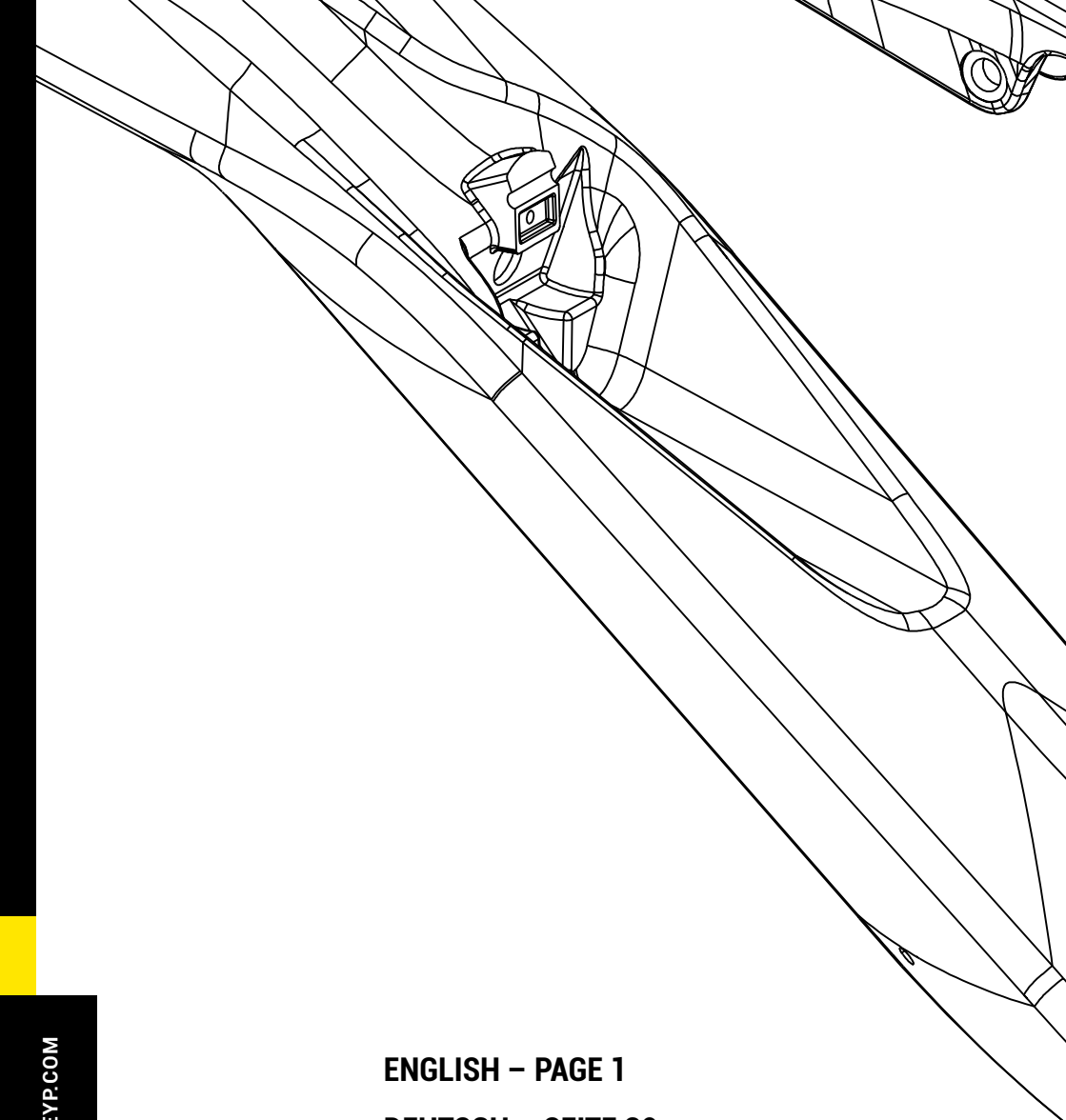


GENERAL  
USER  
MANUAL  
GENERAL  
USER  
MANUAL  
GENERAL  
USER  
MANUAL  
GENERAL  
USER  
MANUAL

**BIKE  
USER  
MANUAL  
QUAL**

READ  
BEFORE  
YOUR  
FIRST  
RIDE





**ENGLISH – PAGE 1**

**DEUTSCH – SEITE 39**

**ITALIANO – PAGINA 77**



# GENERAL MANUAL

---

ENGLISH

# Contents

---

<b>1</b>	<b>INTRODUCTION</b>	<b>5</b>	Pre-Ride Inspection	<b>12</b>
	Disclaimer	<b>5</b>	Riding tips for children	<b>12</b>
	General warning	<b>6</b>	Seat post – basics	<b>12</b>
	General information	<b>6</b>	Brakes – basics	<b>13</b>
	Safety information	<b>7</b>	Gear system	<b>14</b>
	General information about assembly	<b>8</b>	Suspension – basics	<b>14</b>
			Recommended tire pressure	<b>14</b>
<b>2</b>	<b>GENERAL NOTES ABOUT RIDING</b>	<b>9</b>	<b>3 BATTERY AND CHARGER</b>	<b>17</b>
	Luggage carrier and kickstand (if equipped)	<b>10</b>	Battery technical data	<b>17</b>
	Riding tips	<b>11</b>	Important battery information	<b>19</b>
			Battery life	<b>23</b>

---

<b>4</b>	<b>BIKE MAINTENANCE &amp; RANGE</b>	<b>25</b>	Battery	<b>32</b>
	Maintenance	<b>25</b>	Frame	<b>33</b>
	Range	<b>27</b>	Motor	<b>33</b>
			Electronics	<b>33</b>
<b>5</b>	<b>CLEANING THE BIKE</b>	<b>29</b>	Brakes	<b>33</b>
	Chain	<b>29</b>	Suspension	<b>33</b>
	Fork	<b>29</b>	Drivetrain	<b>34</b>
	Shock	<b>30</b>	How to file a claim	<b>34</b>
	Lubrication	<b>30</b>		
<b>6</b>	<b>WARRANTY</b>	<b>31</b>	<b>7 DISPOSAL</b>	<b>35</b>
	General	<b>31</b>	Only for EU countries:	<b>35</b>





## Introduction

**Original instructions (user manual/instructions for use) are written in English. All other languages are translations of the original instructions (user manual/instructions for use). In case of any dispute, the user manual in English prevails.**

**The first volume is "GENERAL MANUAL" while the second is the "TECHNICAL MANUAL". If you didn't get either of them, please ask your your retailer to send you one or download it from [www.greyp.com](http://www.greyp.com).**

This user instruction manual is developed for your Greyp bike only. It contains important safety, performance and technical information, which you should read before your first ride and keep for reference. You should also read the entire User Manual, because it contains additional important general information and instructions that you should follow.

*If you do not have a copy of the User Manual, please download it for free at [www.greyp.com](http://www.greyp.com) or obtain it from your nearest Authorised Greyp Retailer. In case of any discrepancy, the english version shall prevail.*

### Disclaimer

Any modifications of the bike are strictly forbidden and will bear no liability whatsoever for the consequences of such modifications. Porsche eBike Performance d.o.o. does not grant, explicitly or implicitly, to any party any patent rights, licenses or any other IP rights, whether with regard to such information itself or to anything described by such information. The information provided by Porsche eBike Performance d.o.o. hereunder is provided *as is, where is* and with all faults, and the entire risk associated with such information is entirely with the buyer. The information provided in this document is proprietary to Porsche eBike Performance d.o.o., and Porsche eBike Performance d.o.o. reserves the right to make any changes to the information in this document or to any products and services at any time without notice.

You should check [www.greyp.com](http://www.greyp.com) for any changes made in the User Manual.



**Porsche eBike Performance d.o.o.,**

Ljubljanska 7, 10431 Sveta Nedelja, Croatia,  
December 7<sup>th</sup>, 2022.

## General warning

This manual contains many "WARNINGS" and "CAUTIONS" concerning the consequences of failure to maintain or inspect your bike and of failure to follow safe cycling practices.

The combination of the safety alert symbol and the word WARNING indicates a potentially hazardous situation which, if not avoided, could result in serious injury or death.

The combination of the safety alert symbol and the word CAUTION indicates a potentially hazardous situation which, if not avoided, may result in minor or moderate injury, or is an alert against unsafe practices.

Many of the WARNINGS and CAUTIONS say *you may lose control and fall*. Because any fall can result in serious injury or even death, we do not always repeat the warning of possible injury or death.

As it is impossible to anticipate every situation or condition which can occur while riding, this User Manual makes no representation about the safe use of the bicycle under all conditions. There are risks associated with the use of any bicycle which cannot be predicted or avoided, and which are the sole responsibility of the rider.

## General information



**Important notice:** Please make sure you read this User Manual before operating a Greyp bike for the first time. It is very important to follow the instructions in the manual to make sure you use Greyp in the proper way. Porsche eBike Performance d.o.o. reserves the right to change the design, components and specifications at any time without notice and without any obligation. The illustrations and pictures in this manual are for demonstration purposes only.



**WARNING** — Please contact your dealer or manufacturer before trying to repair your Greyp bike. This User Manual is not intended as a service and repair manual.

Greyp bikes are classified as a pedelec. Greyp bike is a vehicle where the rider's pedalling is assisted by an electric motor with 5 assist and torque levels, which gives you a range of power assistance.

Before using your Greyp bike, please inform yourself of all applicable legal requirements and regulations in your country or state. There may be restrictions on riding your Greyp bike on public roads, cycling paths, and/or trails. There may also be applicable helmet requirements, age restrictions or license or insurance requirements. As laws and regulations regarding electric vehicles vary by country and/or state and are constantly changing, please make sure you obtain the latest information. You should also regularly see your authorized Greyp retailer for updated information.

All Greyp bikes have a fixed pre-set speed limit at which the motor support will automatically shut off. Tampering is to interfere with bike in order to cause damage or make unauthorized alterations (i.e. excluding the exchange of sprocket with non-original parts) Any (attempted) tampering with the power output and/or system (i.e. excluding the exchange of sprocket with non-original parts) is prohibited, will void the warranty, is extremely dangerous and could result in severe and/or fatal injuries. In case of tampering we recommend that you stop using bike and call authorized Greyp retailer.



## Safety information

Please, carefully read all the warnings and notes in this User Manual before using your Greyp bike.



**WARNING** – You add to your risk of injury when you use your bicycle in an incorrect manner. Misuse can add stress to your bike. High stress can cause the frame or a part to break and increase your risk of injury. To decrease your risk of injury, use your bicycle in the manner for which it was designed.



**WARNING** – As with all mechanical components, the EPAC (Electrically Power Assisted Cycles) is subjected to wear and high stress. Different materials and components may react to wear or stress fatigue in different ways. If the design life of a component has been exceeded, it may suddenly fail, possibly causing injuries to the rider. Any form of crack, scratches or change of colouring in highly stressed areas indicate that the lifespan of the component has been exceeded and it should be replaced.



**WARNING** – For composite components, impact damage may be invisible to you and may result in serious personal injury or death. If composite components exhibit any signs of damage, do not use them and immediately bring them to your authorized Greyp retailer for inspection.

The A-weighted emission sound pressure level at the driver's ears is less than 70 dB(A)



**WARNING** – Inappropriate handling of a Greyp bike can cause damage, injury and/or death. Please make sure you learn how to operate your Greyp bike in a safe and responsible way.

Greyp bikes are intended to transport only one person at a time. If you allow somebody else to use your Greyp bike, please provide them with this User Manual.

We advise keeping the original box that the bike came with for the warranty period in case there are any troubles.



**WARNING** – We strongly advise you to wear a helmet and other safety equipment while riding your bike. In some countries, there is an obligation to wear a helmet. Please check if this is the case in your country.

Only ride at ambient temperatures between 5°C (41°F) and 40°C (104°F).



**WARNING** – certain Greyp bikes are fitted with two pairs of lights, if applicable use single big white LED light mounted on fork as your main front light and single big rear red LED light (with build in Z reflector) for main rear light.



**WARNING** – Greyp lights (4 white LEDs on display unit - CIM and 4 red LEDs on rear camera - BUTS) are primarily designed as auxiliary lights and you should take care that you use lights that are in accordance with the provision in force in the country of use.



**WARNING** – Reflectors, which function only when light shines on them, are not a substitute for lights. Riding in dark conditions or at times of poor visibility without adequate lighting is extremely hazardous.



**WARNING** — Functioning of the camera as a sensitive device can be affected with an electric static discharge. Restart the bike in this case.



**WARNING** — Greyp bikes are not approved for child seats, towing child trailers, or any other type of trailers. Do not use child seats or bike trailers on luggage carrier.

### **General information about assembly**

This User Manual is not intended as a comprehensive use, service, repair or maintenance guide. Please see your authorized Greyp partner for all service, repairs or maintenance.



**WARNING** — Do not alter or modify any parts of your Greyp bike. Do not install incompatible components or hardware.

# 2

## General notes about riding

The motor provides pedal assistance while you are pedalling, and the the bike is in motion. The amount of pedal assistance will be higher or lower depending on the amount of force applied to the pedals. If you stop pedalling, the motor will stop providing any assistance. The Greyp bike can also be ridden as a normal bicycle without motor assistance by switching the vehicle to the OFF mode. The same applies if the battery is empty.

Greyp bikes have a walk-assist mode (the motor engages without pedal force being applied) which is designed to provide assistance when walking the vehicle up a hill.

The bike will be due for its first maintenance after roughly 100 kilometers or 62 miles, or 3 to 6 weeks. The running-in phase typically involves spokes losing tension, bolts losing tension, cables lengthening, gears becoming maladjusted, and bearings running in, so there is every reason to have your dealer service the bike at this stage. This maturing process is unavoidable. Therefore, make an appointment with your Greyp dealer or local bike service for a first inspection of your new bike. The first inspection is very important for the functioning and durability of your bike.

It is advisable to have your bike serviced regularly after the running-in phase. The schedule given in the technical manual is a rough guide for cyclists who ride their bike between 1,000 and 2,000 km a year. If you consistently ride more or if you ride a great deal on poor road surfaces, the maintenance periods will shorten respectively.



**WARNING** — The intended use of the bike includes regular maintenance and the replacement of worn out parts in time and therefore has an influence on the warranty as well.



**WARNING** — It is forbidden to install a child seat on luggage carrier handlebars, seat post, top tube of the frame, head tube of the frame, or any other place which is not designed for the installation of a child seat. Failing to follow these instructions can lead to serious damage to bike, injury or death.

## Luggage carrier and kickstand (if equipped)

A luggage carrier is a device that can be used to transport luggage. There are a variety of accessories available for these luggage system carriers, such as baskets or bags that lock in place on the luggage area.



**WARNING** – Do not make any alterations to the luggage carrier.



**WARNING** – Luggage can only be safely carried on the carrier.



**WARNING** – When the luggage carrier is loaded, the bike may behave differently i.e. braking distance may be longer, stability may be compromised and turning capacity may be lowered.



**WARNING** – Please make sure that any luggage fitted to the luggage carrier is securely fitted and that there are no loose straps that can get in the wheel. Always ensure that it is not possible for tensioning belts or cables to get into moving parts, e.g. the rotating rear wheel or the pedal crank.

When loading your bike, ensure that reflectors or lights continue to be visible. We advise that you distribute the luggage evenly between both sides of the luggage carrier.

For maximum allowed wheel size and tire for luggage carrier on Greyp bike check technical manual under "Appropriate spares: Front and Rear tire".

The maximum load limit of luggage carrier is 25kg. Do not overload the luggage carrier. Load the luggage carrier evenly. Make sure that the luggage is adequately secured to prevent it falling off.

Some Greyp bikes are equipped with a kickstand. A kickstand is a device for parking the bike in an upright position after use.



**WARNING** – Make sure that there is no additional weight on the bike when using the kickstand, as exceeding the load limit can cause the bike to fall over and cause serious damage or injury..

## Riding tips

Below are some riding tips, which may also reduce component wear and increase battery range.

- » *Pay attention to your speed when going into a corner and be sure to stop pedalling well before entering the corner. Otherwise you may have too much speed as you enter the corner;*
- » *Ride efficiently and look ahead. Any time a braking force is applied, more energy is needed to get the vehicle back up to speed;*
- » *Shift gears regularly to stay in an optimal cadence range and downshift before coming to a stop;*
- » *Reduce pedal force before initiating a gear shift to reduce drivetrain wear;*
- » *Check the tire pressure regularly. Low pressure can cause the tires to roll inefficiently;*
- » *If your vehicle is exposed to cooler weather, keep the battery stored indoors until just before riding;*
- » *Do not expose your vehicle to excessive heat;*
- » *Only carry the cargo you need. More cargo weight requires more energy to move.*



**WARNING** — An improper derailleur shifting technique could cause your chain to jam or come off, causing you to lose control and fall.

Only shift one gear at time. When shifting gears make sure you ease up on the power and pedal lightly during the whole duration. Shifting gears under heavy load or shifting more gears at the same time can cause premature wear and damage to your drivetrain.

## Pre-Ride Inspection

- » *Prior to the first ride, charge the battery to 100%;*
- » *Check to ensure that the quick-release levers or axle nuts are tight;*
- » *Check the brake pads for excessive or uneven wear;*
- » *Make sure that all bolts on the brakes and steering parts are tight;*
- » *Spin the rims – check for wobbles;*
- » *Check the tire pressure;*
- » *Check the tires for excessive wear, cracking or gashes;*
- » *Check that the gears shift smoothly;*
- » *Check the chain for rust, dirt, stiff links or noticeable signs of wear (the chain should be clean and lubricated, be sure to use a chain-elongation gauge);*
- » *Apply the front brake, and push the bike forward and backward (the headset should be tight and not make any clunking noises).*



**WARNING** — Being aware of your surroundings can drastically reduce incidents. If you are on the road be aware of traffic and road conditions. In off-road conditions there may be less friction between the tires and the ground and it can make you lose control and cause an accident.



**CAUTION** — Your field of view is particularly shorter, in fact very short, when riding at night. Obstructions are more difficult to see at night. Use extreme caution, slow down to compensate for the much shorter reaction time and ride at a speed appropriate to your field of vision and surroundings.

## Riding tips for children

Greyp bikes are only designed and tested for use by one person at a time. Greyp bikes are not intended for children under 16 years. Do not allow children under 16 years old to drive a Greyp bike.

## Seat post – basics



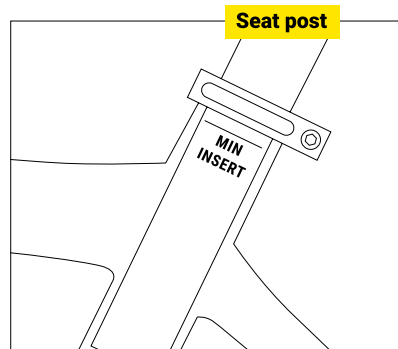
**WARNING** — Make sure that the seat position is adjusted so that the feet of a seated rider can touch the ground. If your bicycle does not fit properly, you may lose control and fall.



**WARNING** — After any saddle adjustment, be sure that the saddle adjusting mechanism is properly seated and tightened before riding. A loose saddle clamp or seat post clamp can cause damage to the seat post, or can cause you to lose control and fall. Use the ball of your thumb to press the lever. A correctly tightened saddle adjusting mechanism will allow no

saddle movement in any direction. Periodically check to make sure that the saddle adjusting mechanism is properly tightened.

Certain Greyp bikes have a telescopic seat post. Familiarise yourself with the features of the seat post before your first ride. Only operate the telescopic seat if it will not take away your attention from the road and terrain. Most of Greyp bikes with a telescopic seat post have information from the telescopic seat post manufacturer (check technical manual) ([www.kssuspension.com](http://www.kssuspension.com)). A telescopic seat post allows the saddle height to be adjusted by operating a lever underneath the saddle or a remote control on the handlebars, both at a standstill and while riding.



To lower the saddle, weight the saddle firmly with your hand or sit on the bike while pressing and holding the actuation lever or remote. Release the lever when the desired height is reached.

To raise the saddle, actuate your seat post by pulling the lever or pressing the handlebar remote. Unweight the saddle and release the lever when the desired height is reached.

You can raise and lower your saddle to any desired position within the seat post's travel.

The saddle height is always measured with the crank arm pointed down and in line with the seat tube. The distance from the centre of the pedal axle to the top of your saddle is your saddle height. Before changing the height of your saddle, you should measure your current saddle height.

All seat post models must be inserted into the bike seat tube to cover the minimum insertion line indicated on the seat post. Insufficient insertion of the seat post into the bike's frame seat tube could result in damage to the seat post and/or vehicle and may result in a loss of control, which may lead to serious injury or death.

## Brakes – basics



**WARNING** – Braking devices on Greyp bikes are a high-performance product, offering a stopping power greater than on regular bikes. As a result, less effort is required to lock up the wheel when braking. Be careful, as a locked wheel can result in loss of control over the vehicle and can cause injuries. Brakes are essential for the safe use of a vehicle - an improper setup and use of the brakes can make you lose control and cause an accident, with unpredictable consequences and/or potentially serious injuries. Disc brakes get VERY hot when used. Commonly the left lever operates the front brake and the right lever operates the rear brake (this may vary depending on country).



**CAUTION** – NEVER touch the calliper or the rotor immediately after use. Make sure the brakes have cooled down before working on them.

The brake rotors must be installed on wheels that are suitable for this type of brake system. A wheel with an insufficient spoke section or with radial spoke lacing can break under normal use of the braking system and cause serious injury, accident or death. Check with your wheel manufacturer BEFORE installation to ensure compatibility.

Check the spoke tension and condition frequently. A damaged spoke may break suddenly and interfere with the braking system. This may result in serious personal injury, accidents or death.



**WARNING** – Before every ride, make sure there are no fluid leaks in the system by applying the lever and holding it down as far as it will go. Check the hose connections and the brake fluid reservoir for any leaks. Consult a professional mechanic if there are fluid leaks. A fluid leak can cause a serious accident or death.



**CAUTION** – Braking distances may be greater in wet weather and using the brakes improperly can make you lose control, fall and cause an accident.

Test the brakes and your braking technique on flat and even ground before using the bike in more severe conditions.

You can find more info about Formula Cura brakes on [www.rideformula.com](http://www.rideformula.com)

## Gear system

If you cannot change gear cleanly, you need to make adjustments to the gear system on the shifting level housing. Gradually unscrew the adjuster on the shifting lever housing with your fingers and check the functioning of the gears after each turn.

On some systems, to be able to turn the adjuster, you need to pull it out of position slightly. Make sure that it is back in position before you check the functioning of the gears. If you cannot adjust the gear shifting using this method, the system must be checked by the professional bike mechanic.

## Suspension – basics



**WARNING** – Improperly installed, maintained or adjusted components are extremely dangerous and could result in severe and/or fatal injuries. If you have any questions about the installation of these components, consult a qualified bicycle mechanic.

## Recommended tire pressure

The tire pressure is an important factor for riding your bike properly. If the tire pressure is too high, the tire will not conform to the ground, reducing traction. It is important to have an accurate pressure gauge when setting the tire pressure; preferably a digital gauge with a 0.03 [bar] (0.5 [psi]) accuracy.

The recommended tire pressure will vary slightly based on rider weight, riding style, and terrain. Some riders may find it helpful to start a ride at a slightly higher pressure than recommended and let out a little air throughout the course of the ride until they find their ideal riding tire pressure.



*For the maximum inflation pressure check technical manual.*



**WARNING** – If the maximum pressure values in this manual and values on the side wall of a tire are in any way different, please refer to the ones that are marked on the tire's sidewall or wheel (which ever is lowest). Never inflate a tire beyond the maximum pressure marked on the tire's sidewall. Exceeding the recommended maximum pressure may blow the tire off the rim, which could cause damage to the bike and injury to the rider and/or bystanders.

You can find the minimum recommended tire pressure on the tire side wall. Never inflate tire below the minimum recommended tire pressure. If the tire pressure is too low, the tire could pinch flat and be difficult to handle and can cause loss of control.



# 3

## Battery and charger

Your bike is powered by a Lithium-ion (Li-ion) battery. Always adhere to the following instructions when handling or charging the battery or when using your Greyp bike. Only use the Greyp battery with the corresponding Greyp bike. Do not use the Greyp battery with other products or any other battery with the Greyp bike, even if it fits.

Turn off the bike, unplug the charger from the bike and remove the battery from the bike before performing work of any kind, such as installation, maintenance, cleaning and/or repair. When transporting or handling the battery separately from your Greyp bike, ensure the battery is turned OFF (you can do this by plugging the battery to the bike and if the bike doesn't turn on by itself that means that the battery is turned OFF). Touching the contacts when the battery is ON can result in electric shock and/or injury.

Before riding your bike, make sure the battery is properly secured in the frame.

Do not modify, open or disassemble the battery or charger, as modification or disassembly may result in a short circuit electric shock, fire or malfunction.

Be careful when handling the battery and do not drop it. Keep the battery out of reach of children and animals.

### Battery technical data

#### GREYP BATTERY PACK INFORMATION

MANUFACTURER:	PORSCHE EBIKE PERFORMANCE D.O.O.
MODEL/TYPE REFERENCE:	G6-02
WEIGHT:	3.5 Kg
BATTERY TYPE DESIGNATION:	10INR19/66-6
CELL CONFIGURATION:	10S6P
CAPACITY (Ah):	19.3 Ah
ENERGY (Wh):	700 Wh

**GREYP G6 BATTERY PACK INFORMATION**

<b>COMMUNICATION:</b>	CAN
<b>APPLICATION USING ENVIRONMENT:</b>	INDOOR AND OUTDOOR, -20~50 °C [-4~122°F]
<b>COOLING:</b>	NATURAL CONVECTION
<b>CHARGING</b>	BETWEEN 0-40°C [32~104°F]
<b>PROTECTION:</b>	<p>PROTECTION TYPE: FUSE/ CELL CHRГ TEMP, DISCHRG TEMP / CELL VOLTAGE</p> <p>PROTECTION RATING : 40 A/ 0°C [32°F] TO 55°C [131°F], -20°C [-4°F] TO 60°C [140°F] / 2.5 TO 4.19 VOLTS</p> <p>OVERLOAD PROTECTION: 30 A, 5 s</p> <p>SHORT CIRCUIT PROTECTION: 150 A</p>
<b>OTHER INFORMATION:</b>	<p>CELL INFORMATION : LG INR18650-MJ1, Li-Ion, 3.63V, 3500mAh</p> <p>OUTPUT CONNECTOR: RoPD TYPE, AUTOMOTIVE, 48V, 30A, UV RESISTANT</p>
<b>CHARGING METHOD:</b>	CC/CV
<b>I CHARGE MAX:</b>	9.0 A
<b>I CHARGE:</b>	4.0 A (OPTIONAL: 8.0 A)
<b>I DISCHARGE:</b>	20.0 A CONTINUOUS
<b>U CHARGE MAX:</b>	42.0 V
<b>U CHARGE NOM:</b>	36.3 V
<b>U DISCHARGE END:</b>	25.0 V
<b>U CHARGE END:</b>	41.9 V
<b>CERTIFICATION:</b>	UN 38.3 (6TH ED.)



## Important battery information

**WARNING** – Failure to follow the instructions in this section may result in damage to electrical components on your bike and will void your warranty, but most importantly, may result in fire, chemical burn, electrolyte leak and/or serious personal injury or death. If your battery or charger exhibits any signs of damage, do not use it and immediately bring it to your authorized Greyp retailer for inspection.

The connector used for the battery and charger is magnetised (RoPD) and can attract metal objects. Do not allow any screws or other small, sharp and/or metallic objects to come in contact with the battery connector, bike charging socket or charger connector.

When storing, transporting, or cleaning the bike and/or battery, always use the plastic connector caps supplied.

Lithium-ion batteries are extremely sensitive to high temperatures and are inherently flammable. Lithium-ion battery packs tend to degrade much faster than they normally would due to heat. If an event causes the battery to ignite, use a Class – D fire extinguisher only (do not use water), do not inhale smoke and immediately call the fire department.

If a lithium-ion battery pack fails, it will burst into flames and can cause explosion and widespread damage. When ignited lithium-ion batteries fire spreads quickly and burns in intense heat. Smoke from lithium-ion battery fire is toxic.

Store the battery in a cool, dry, safe and isolated area away from any flammable objects.

The charging of a lithium-ion battery should always take safe, isolated, and vented area from any flammable objects and under supervision. When the battery is full, immediately disconnect it from the charger. Leaving the battery on a charger can cause it to fail. Do not leave a full battery on a charger.

Never charge the battery near flammable materials or objects. Also, do not charge the battery in places where high temperatures or sunlight are to be expected. Since heat is generated by the charging process itself, you should never cover the battery while charging.

Before you plug in the battery or charger, always check the battery connector, bike charging socket and charger connector for any damage or foreign objects. In case of any damage do not connect the battery or battery charger and please contact your authorized Greyp retailer. In case of a foreign object please safely remove it with non-conductive material before you connect the battery to your Greyp bike.

Do not leave a full or an empty battery for any period of time. Leaving a battery full can cause internal damage of the battery which than can burst into flames and can cause widespread damage. Keep the battery away from metal objects or any conductive material, as they can cause a short-circuit.

Do not allow the battery to overheat. Do not leave the battery exposed to a heat source or in a high-temperature location, ie in the sun in an unattended vehicle. To prevent the possibility of damage, store the battery out of direct sunlight. Do not expose the battery to fire, radiator heat, explosion or other hazards. Every time you detach the battery from the bike, put the plastic connector cap on the battery connector to prevent battery damage.

When storing, transporting, or cleaning the bike and/or battery, always use the plastic connector caps supplied.





Do not immerse the battery in water. Do not spray the battery, charger or the connectors with water. If you notice water may have got into the battery, slowly move the battery to a fire safe, isolated area away from anything flammable, and contact Greyp or an authorized bike dealer.

In the event of an inadequate connection between the charger connectors and the battery connector or charging socket there could be functional problems and it is a potentially hazardous situation. In this case you should disconnect the charger connector and the battery and check what caused the inadequate connection.

Do not use a battery that shows any signs of damage (hollow casing, cracked lid, cracked connector, damaged connector) or is leaking any fluids. Slowly move the battery to a fire safe, isolated area away from anything flammable, and contact Greyp or an authorized bike dealer. Battery liquid can cause skin irritation and burns. In the event of damage that results in skin or eye contact with any liquid from the battery, immediately flush with water and seek medical assistance.

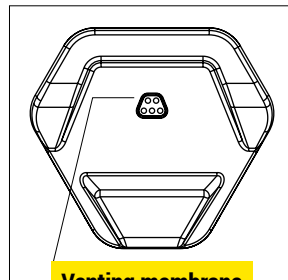
The battery is heavy. Be careful when handling it and do not drop it. If any excessive outside force (ie: dropping the battery, hitting the battery with a hard object) happens, immediately take the battery to a fire safe location and contact Greyp or an authorized bike dealer, as this can cause an internal short circuit - which can cause a runaway thermal event and cause the battery to catch fire. If you see/observe any damage or anything unusual on the battery (i.e., dent, hole or rupture of the battery or tubing, smoke, smell, swelling, noise, heat), immediately turn off the bike, unplug the bike or the battery from the power source (if connected) and slowly move the bike/battery to a fire safe, isolated area away from anything flammable, and contact Greyp or an authorized bike dealer. If you can do it, safely remove the battery from the bike. Use fire protective gloves to avoid touching the battery with your bare skin.

Do not connect the battery connector, bike charging socket or the charger connector if it is wet. You can use a dry cloth to dry the battery connector, bike charging socket or charger connector. It is important that you follow the instructions on the label of the battery charger and always use an appropriate Greyp charger.

The battery can be charged whether it is installed in the bike or not. Refer to the appropriate instructions regarding removing and installing the battery. Only charge the battery at an ambient temperature between 0°C and 40°C (32°F and 104°F). If the outside temperatures are too hot or too cold, charge the battery inside. For safety reasons, if the battery is too hot or too cold, it will not charge.

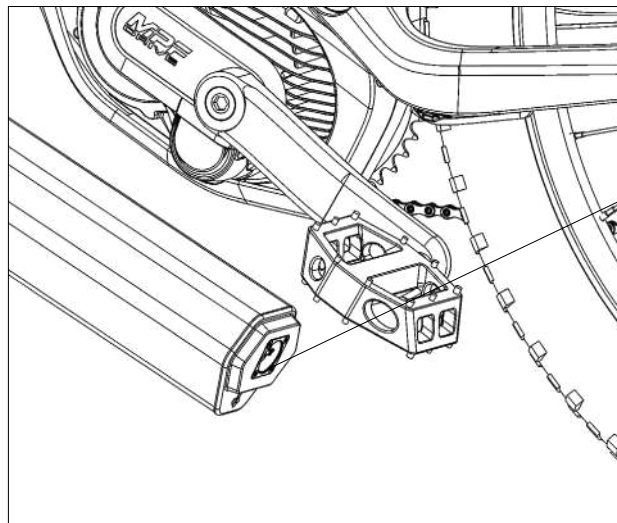
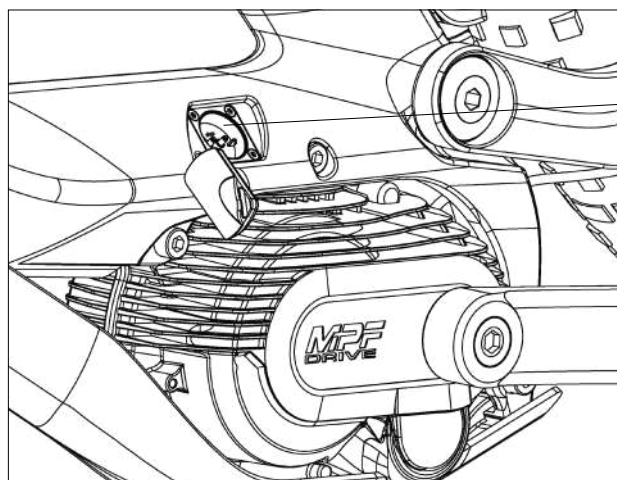
Do not cover the venting membrane at any time. Covering the venting membrane can lead to the battery overheating - which can cause a runaway thermal event and cause the battery to catch fire.

Do not insert anything in the venting membrane openings on the battery lid. If dirt is stuck in the venting membrane openings, use a soft brush to clean it. If you notice any punctures on the venting membrane, immediately stop using the battery and contact Greyp or an authorized bike dealer.



**Venting membrane**



**ON THE BATTERY****ON THE BIKE**

Plug the charger plug into an appropriate AC outlet (depending on the charger) using the appropriate plug/adaptor for your country's standard.

Uncover the charging socket on the bike, then connect the charger to the charging socket on the bike. It is possible to charge the battery when removed from the bike. In that case, plug the charger into the battery socket.

During the charging process, the light on the charger will glow red. When the battery is fully charged, the light on the charger will turn green. When monitoring the charging process, please check the LED light on the charger.

When charging is complete, disconnect the charging plug from the battery socket. Unplug the charger from the wall socket.

Make sure that the input voltage of the charger is in range of the power grid voltage you plan to use.

If the battery was left plugged in to the charger after reaching 100% SoC, the charging will stop. It can only be resumed by unplugging and plugging in the charger again.

**!** **CAUTION** – If the red LED light is flashing during the charging process, a charging error has occurred. In that case, immediately remove the charger from the socket, discontinue the use of the motor support and contact an authorized Greyp retailer.



#### CHARGER 1

Model: BC222360040

Input: 100-240 V AC, 2.5 A (max), 50/60 Hz

Output (max): 42 V DC, 4 A

LED indicator



#### CHARGER2 (EU ONLY)

Model: STC-8150LC

Input: 220-240 V AC, 50/60 Hz, 180 W

Output (nom): 36 V DC, 4 A

LED indicator



## Battery life

The bike should be stored in dry conditions. If you plan to store the battery for a period longer than a few weeks, please make sure that the SoC (State of Charge) is between 30% and 60%. It is necessary to check the battery frequently, even if the bike is not being used, in order to avoid permanent damage to the battery.

Strongly reduced operating time after charging can be a sign that the battery is reaching the end of its useful life and must be replaced. Provided your Greyp bike has been used properly, approximately 80% of the battery's original capacity should remain after 500 charging cycles or two years.

Recharging the battery takes approximately 5 hours. It is recommended that you don't wait for the battery to completely empty before recharging. Do not leave a full or empty battery for a longer period of time, as this will reduce the battery life. Try to keep the battery between 20%-80% to extend the battery life. If you know that your planned route is shorter and you don't need a full battery, we recommend that you charge the battery up to 80% of SoC instead of 100%. This way you will keep a better battery life.

The worst thing you can do is to leave a completely empty battery uncharged or a completely full battery for a longer period of time. This could lead to a reduced battery life, fire or permanent damage to the battery pack.

If the battery hasn't been used for 16 days consecutively, it will automatically lower the SoC (State of Charge) to 60%, to reach optimal storage conditions. The Self-discharge Procedure will be performed even if you leave the battery on a charger for longer than 16 days. If the battery SoC gets below 60%, it will automatically shut down.

Make sure to always power OFF the bike when you finish using it. If you are not using the bike for a longer time, check the battery SoC a day before the planned ride.



# 4

## Bike maintenance & range

### Maintenance



**WARNING** – Failure to follow the instructions in this section may result in damage, serious personal injury or death. If your bike exhibits any signs of damage, do not use it and immediately bring it to your authorized Greyp retailer for inspection.

All regular maintenance, troubleshooting, repair and parts replacement must be performed by an authorized Greyp retailer.



**WARNING** – If your use of a bicycle applies more stress than that which is intended, the bicycle or its parts can be damaged or broken. A bicycle that has damage could decrease your control and cause you to fall. Do not ride in conditions that apply more stress than the limits of the bicycle. If you are not sure of the limits of the bicycle, consult your bike shop.

Great care should be taken to not damage carbon fibre or composite material. Any damage may result in a loss of structural integrity, which may result in a catastrophic failure. This damage may or may not be visible on inspection. Before each ride, and after any crash, you should carefully inspect your vehicle for any fraying, gouging, scratches through the paint, chipping, bending, or any other signs of damage. If discovered, do not ride any further and take your Greyp bike to an authorized Greyp retailer for a complete inspection.

The lifespan and type and frequency of maintenance depend on many factors, such as frequency and type of use, rider weight, riding conditions and/or impacts. Additionally, the Greyp bike uses a power-assisted drive system, which means more distance at different rates, depending on the component. The drivetrain and brake components are especially subject to wear. Have your authorized greyp retailer inspect your vehicle and components periodically.

Exposure to harsh elements, especially salty air (such as riding near the ocean or in the winter) can result in galvanic corrosion of components, which can accelerate wear and shorten the lifespan of your bike. Dirt can also accelerate the wear of surfaces and bearings. The surfaces of the bike should be cleaned before each ride. Proper care and regular maintenance can help increase the longevity of components. If you notice any signs of corrosion or cracking on the frame or any component, the affected item must be replaced. While riding, listen for any creaks, as a creak can be a sign of a problem with one or more components. Periodically examine all surfaces in bright sunlight to check for any small

hairline cracks and if you discover any, no matter how small, or any damage to components, immediately stop riding and have the part inspected by your retailer. The vehicle should also be maintained regularly by an authorized Greyp retailer, which means it should be cleaned and lubricated. Regularly clean and lubricate the drivetrain according to the drivetrain manufacturer's instructions.

Do not apply lubricant on the disc brake rotors. Lubricant on brake surfaces can cause decreased braking function, and increase the possibility of an accident or injury. If any lubricant or any other fluid gets on the brake disc rotor, remove the wheel from the bike and clean the brake disc rotor thoroughly. If you get any on the brake pads, replace them.

Do not use a high-pressure water spray directly on the bearings. Even water from a garden hose can penetrate the bearing seals and crank interfaces, which can result in increased bearing and crank wear, in turn affecting the normal function of the bearings. Use a clean, damp cloth and bicycle cleaning agents for cleaning. Do not expose the vehicle to prolonged direct sunlight or excessive heat, such as inside a car parked in the sun or near a heat source such as a radiator.

It is very important that you use only original replacement parts for safety-critical components.

Bicycle wheel rims are subject to wear. Ask your dealer about wheel rim wear. Riding a wheel that is at the end of its usable life can result in wheel failure, which can cause you to lose control and fall.

Loose or damaged handlebar grips, end plugs or extensions should be replaced, as they can expose the ends of the handlebar, which have been known to cause injury, and they can cause you to lose control and fall.



**WARNING** — Riding with an improperly secured wheel can allow the wheel to wobble or fall off the bicycle, which can cause serious injury or death. Therefore, it is essential that you:

1. Ask your dealer to help you make sure you know how to install and remove your wheels safely.
2. Understand and apply the correct technique for clamping your wheel in place.
3. Each time, before you ride the bike, check that the wheel is securely clamped.
4. The clamping action of a correctly secured wheel must emboss the surfaces of the dropouts.

he following parts must only be replaced with original components:

- |                          |                       |
|--------------------------|-----------------------|
| » <i>Frame</i>           | » <i>Brakes</i>       |
| » <i>Battery</i>         | » <i>Charger</i>      |
| » <i>Display unit</i>    | » <i>Motor unit</i>   |
| » <i>Electric wiring</i> | » <i>Control unit</i> |
| » <i>Brake hoses</i>     | » <i>Sensors</i>      |

## Range

The range on one charge greatly depends on several circumstances, such as (but not only):

- |   |
|---|
| » <i>Weather conditions such as ambient temperature and wind;</i>     |
| » <i>Road conditions such as elevation and road surface;</i>          |
| » <i>Bike conditions such as tire pressure and maintenance level;</i> |
| » <i>Bike usage such as acceleration and shifting;</i>                |
| » <i>Rider and luggage weight;</i>                                    |
| » <i>Charge and discharge cycles.</i>                                 |



# 5

## Cleaning the bike

**Most cleaning can be done with soap, water, sponges and brushes.**

- » *Avoid using high-pressure sprayers because water can penetrate through seals ;*
- » *Avoid using corrosive soaps and strong solvents – always use cleaning products intended for an electric bicycle ;*
- » *For an extremely dirty chain we recommend using a solvent-bath chain cleaner.*
- » *Remove the battery before cleaning the bike.*

### **Chain**

After every wash, the chain should be wiped and lubricated. After every few rides, lube slightly. After every 400 km [250 mi], check for chain elongation. Use a chain-elongation gauge to determine whether the chain should be replaced.

### **Fork**

Wipe and clean the forks after every ride.

Performing the right maintenance on your fork not only ensures years of worry-free riding, but will also keep performance optimal and enhance your experience on the bike. Each service interval indicates the maximum number of riding hours designated for each type of recommended maintenance. Depending on the terrain and environmental conditions in your location, your riding style and skill level, you may see more optimum performance if you service your fork at shorter intervals. For specific detail check the suspension manufacturer service manuals.

## Shock

Wipe and clean the shock after every ride.

Performing the right maintenance on your shock not only ensures years of worry-free riding, but will also keep performance optimal and enhance your experience on the bike. Each service interval indicates the maximum number of riding hours designated for each type of recommended maintenance. Depending on the terrain and environmental conditions in your location, your riding style and skill level, you may see performance if you service your at shorter intervals. For specific details, check the suspension manufacturer service manuals.

Have all repairs performed only by an authorised bike dealer.

## Lubrication

Consult with your retailer to choose among the many types of chain lubes best suited to your climate and riding conditions. Every month, lubricate all of the pivot points of the rear derailleur, as well as on the jockey wheels.



# 6

## Warranty

---

### General

Greyp products have been manufactured and tested to the highest quality standards by Porsche eBike Performance d.o.o. This limited warranty offered by Porsche eBike Performance d.o.o. covers defects in material or workmanship in new Greyp products. Greyp warrants this product against defects in material or workmanship for a period of 24 months after the first purchase. Greyp will replace any product or part of the product that proves defective due to improper workmanship and/or material, under normal installation, use, service and maintenance. If Greyp is unable to provide a replacement and if a repair is not practical or cannot be made in a timely fashion, Greyp may elect to refund the purchase price in exchange for the return of the product.

This warranty extends to the original purchaser only and is non-transferable. This warranty does not apply to rental or commercial use bicycles. Only consumers purchasing Greyp products from authorized Greyp retailers or resellers or through the Greyp website may obtain coverage under our limited warranties. This warranty does not cover any damage or defects resulting from a failure to follow instructions in the user manual, alterations to the original design, acts of God, accident, misuse, neglect, abuse, improper assembly, operator error, water damage or improper follow-up maintenance. Greyp explicitly exempts from coverage any damage to bicycles used for jumping, stunt riding, rental programs, observed trials and any similar extreme riding or events.

Incidental and consequential damages are also not covered. Greyp does not cover the cost of international warranty shipping at any time, for any reason. This warranty is expressly limited to the replacement of defective parts with those of equal or greater value at the sole discretion of Porsche eBike Performance d.o.o.

The repair, replacement or refund of the purchase price, as provided by this warranty, is the exclusive remedy of the purchaser. Greyp neither assumes nor authorizes any person to create for it any other obligation or liability in connection with this warranty. Greyp shall not be liable to the purchaser or any other person for any incidental, special or consequential damages, arising under this warranty or any implied warranty, including without limitation, damages for personal injury, property damage or economic losses, whether based on the contract, warranty, negligence or product liability in connection with their products.

Some components of Greyp bikes are subject to wear and tear due to their function. The rate of wear will depend on care and maintenance and the way the bike is used. Bikes that are often

left in the open may also be subject to increased wear through weathering. The components below require regular maintenance. Nevertheless, sooner or later they will reach the end of their service life, depending on the conditions and intensity of use. The following parts that have reached their limit of wear and tear must be replaced :

- |                                  |                              |
|----------------------------------|------------------------------|
| » <i>Battery</i>                 | » <i>Brake hoses</i>         |
| » <i>Chainrings and cassette</i> | » <i>Lubricants</i>          |
| » <i>Drive chain</i>             | » <i>Dropper post seals</i>  |
| » <i>Hubs and free hubs</i>      | » <i>Suspension elements</i> |
| » <i>Brake pads</i>              | » <i>Wheels and spokes</i>   |
| » <i>Inner tubes and tires</i>   | » <i>Grips</i>               |
| » <i>Brake fluid</i>             | » <i>Cables/connectors</i>   |
| » <i>Brake disc rotors</i>       | » <i>Pedals</i>              |
| » <i>Bearings</i>                |                              |

## Battery

If the battery fails completely during the first 24 months or 500 cycles (whichever comes first) from the original date of purchase, it will be replaced or repaired at no charge. Lithium batteries require care and some maintenance to maximize life expectancy (please read chapter Battery life). Abusing the battery will void your warranty.

### The warranty is void in the following cases:

- |   |
|---|
| » <i>if damage is caused by power surge;</i>  |
| » <i>if damage is caused by the use of an improper charger;</i>   |
| » <i>if damage is caused by improper maintenance or other such misuse;</i>                                |
| » <i>if damage is caused by normal wear;</i>  |
| » <i>if damage is caused by water damage;</i>   |
| » <i>if the battery is charged below 0°C [32°F];</i>  |
| » <i>if the battery is below 20% of its capacity and not charged in the period longer than one month.</i> |

If a battery needs to be removed for return shipment to Greyp, it is the customer's responsibility to safely remove and send the battery to Greyp at their own cost. Greyp will reimburse the customer for its own labour & replacement parts in the first 24 months of bike ownership.

Greyp will pay to return the battery to the customer. Greyp retains the right to repair or replace battery at its sole discretion. All lithium batteries must be shipped as Class 9 dangerous goods (HAZMAT) and must be shipped in accordance with all local and international laws. Lithium batteries sold by Greyp can not and should NEVER be taken on board a passenger aircraft.

## **Frame**

The Greyp frame is covered by a warranty against defects for 24 months from the original date of purchase for the original owner. If a frame is found to be defective, EU shipping, parts and labour to replace the frame is paid by Greyp for the first 24 months from the original date of manufacture. The cost of repairing/replacing custom paint is never included in frame warranty at any time.

## **Motor**

The motor is warranted for 24 months from the original date of purchase to be free from defects. In the event of a warranty claim requiring the motor to be returned to Greyp, the customer is responsible for the removal and shipment to Greyp. Greyp pays for the parts, in-house labour and the return shipping.

## **Electronics**

The electronics components are warranted for 24 months from the original date of purchase to be free from defects. In the event of a warranty claim requiring the electronics to be returned to Greyp, the customer is responsible for removal and shipment to Greyp. Greyp pays for parts, in-house labour and the return shipping.

## **Brakes**

The brakes are warranted for 24 months from the original date of purchase to be free from defects. Normal wear of the brake pads and brake disc rotors is not covered. Warranty claims on components are made in accordance with the component manufacturer's guidelines. In the event of a warranty claim requiring the components to be returned to Greyp, the customer is responsible for the removal and shipment to Greyp. Greyp pays for parts, in-house labour and return shipping.

## **Suspension**

The suspension units are warranted for 24 months from the original date of purchase to be free from defects. Normal wear of the suspension, such as oil changes and leaking seals are not covered. Warranty claims for components are made in accordance with the component manufacturer's guidelines. In the event of a warranty claim requiring the components to be returned to Greyp, the customer is responsible for the removal and shipment to Greyp. Greyp pays for parts, in-house labour and the return shipping.

## Drivetrain

The drivetrain includes the sprockets, shifting system, chain and wheels. Drivetrain units are warranted for 24 months from the original date of purchase to be free from defects. Normal wear and tear of the drivetrain, such as chain and sprocket wear, tire flats, bent wheels, spokes, hubs, free hubs, bearings and worn tires are not covered. Warranty claims for components are made in accordance with the component manufacturer's guidelines. In the event of a warranty claim requiring the components to be returned to Greyp, the customer is responsible for the removal and shipment to Greyp. Greyp pays for parts, in-house labour and return shipping.

## How to file a claim

Porsche eBike Performance d.o.o. will not provide any warranty coverage unless claims are made in compliance with all the Porsche eBike Performance d.o.o. Warranty Terms and Conditions and the proper return procedure is not followed. To request a warranty service, the Greyp Customer Service Department needs to be contacted and the following information needs to be clearly provided:

- » *the sales receipt or other evidence of the date and place of purchase;*
- » *full name, contact details (including telephone number and email address);*
- » *build number of the bike;*
- » *a description of the problem;*
- » *images or video evidence of the problem;*
- » *delivery of the product or the defective part, postage prepaid and carefully packed and insured, to Porsche eBike Performance d.o.o. or an agreed dealer.*

The product or defective part has to be delivered to Porsche eBike Performance d.o.o. or an agreed dealer postage prepaid and carefully packed and insured. When the warranty service is completed, any repaired or replacement product or part will be returned to the customer postage prepaid. Porsche eBike Performance d.o.o. reserves the right to inspect any defective components or products to determine whether a repair or replacement is required.

Porsche eBike Performance d.o.o., Ljubljanska 7, 10431 Sveta Nedelja, Croatia

# 7

## Disposal

---

The drive unit, on-board computer including the operating unit, battery pack, speed sensor, accessories and packaging should be disposed of in an environmentally correct manner.

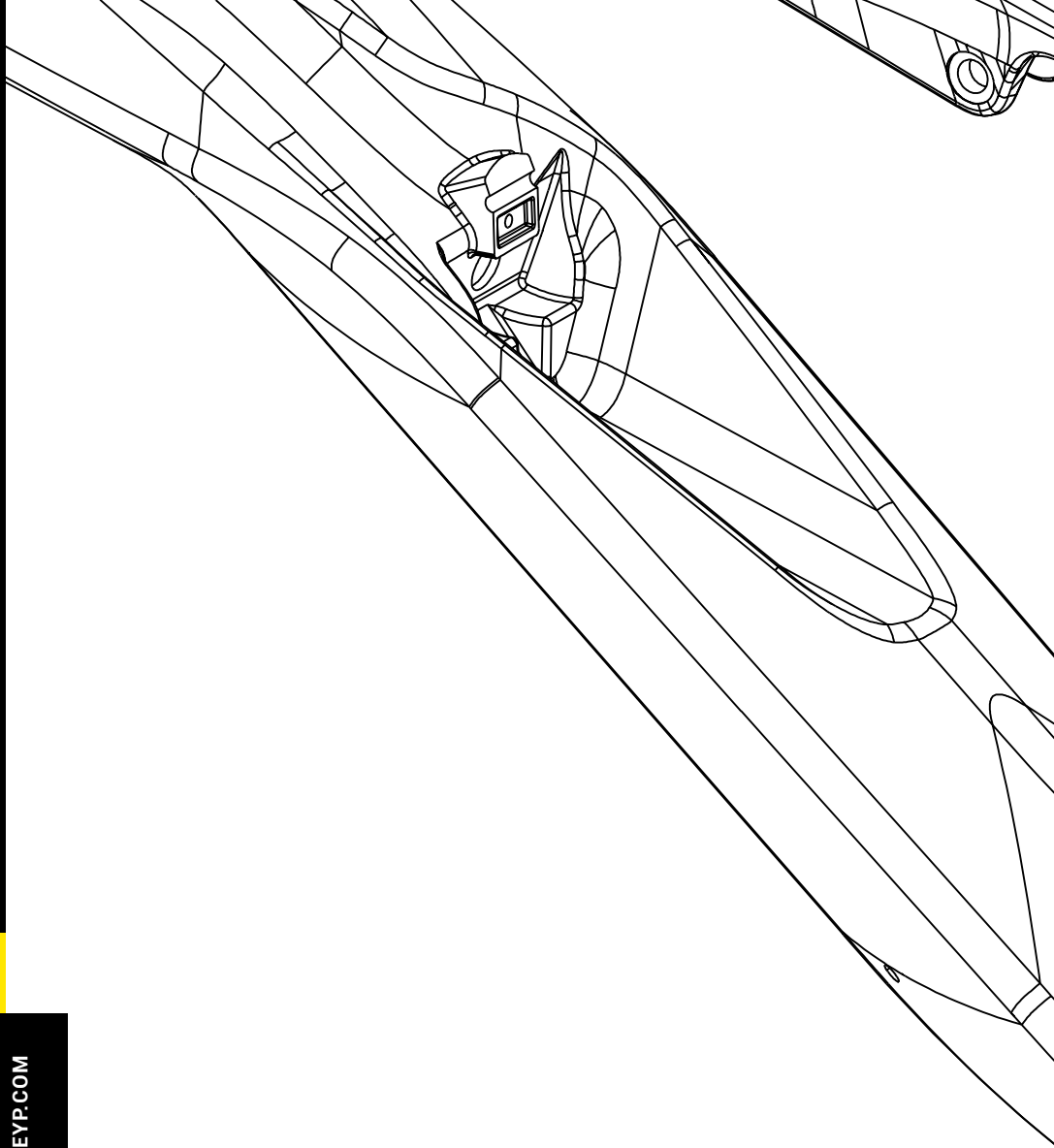
### **Only for EU countries:**

According to the European Guideline 2012/19/EU, electrical devices/tools that are no longer usable, and according to the European Guideline 2006/66/EC, defective or used battery packs / batteries, must be collected separately and disposed of in an environmentally correct manner.

Please return the battery packs and on-board computers that are no longer usable to an authorised bicycle dealer.

Batteries and chargers must not be disposed in your household trash! All batteries and chargers must be disposed in an environmentally friendly manner, in accordance with the battery disposal regulations in your country or state. Ask your authorized Greyp retailer for information on how to dispose a battery or charger and any applicable take-back programs.







# ALLGEMEINES HANDBUCH

---

DEUTSCH



# Inhalt

---

<b>1</b>	<b>EINLEITUNG</b>	<b>43</b>	Inspektion vor der Fahrt	<b>50</b>
	Haftungsausschluss	<b>43</b>	Reittipps für Kinder	<b>50</b>
	Allgemeine Warnung	<b>44</b>	Sattelstütze – Grundlagen	<b>50</b>
	Allgemeine Information	<b>44</b>	Bremsen – Grundlagen	<b>51</b>
	Sicherheitsinformation	<b>45</b>	Getriebe system	<b>52</b>
	Allgemeine Information über Montage	<b>46</b>	Federung – Grundlagen	<b>53</b>
			Empfohlener Reifendruck	<b>53</b>
<b>2</b>	<b>ALLGEMEINE INFORMATIONEN ÜBERMONTAGE</b>	<b>47</b>	<b>3 BATTERIE UND LADEGERÄT</b>	<b>55</b>
	Gepäckträger und Ständer (falls vorhanden)	<b>48</b>	Technische Daten der Batterie	<b>55</b>
	Reit tipps	<b>49</b>	Wichtige Batterie informationen	<b>57</b>
			Lebensdauer der Batterie	<b>61</b>

---

<b>4</b>	<b>FAHRRADWARTUNG &amp; REICHWEITE</b>	<b>63</b>	Allgemein	<b>69</b>
	Wartung	<b>63</b>	Batterie	<b>70</b>
	Bereich	<b>65</b>	Rahmen	<b>71</b>
			Motor	<b>71</b>
			Elektronik	<b>71</b>
<b>5</b>	<b>FAHRRAD REINIGEN</b>	<b>67</b>	Bremsen	<b>71</b>
	Kette	<b>67</b>	Suspension	<b>71</b>
	Gabel	<b>67</b>	Antriebsstrang	<b>72</b>
	Schock	<b>68</b>	So melden Sie einen Anspruch an	<b>72</b>
	Schmierung	<b>68</b>		
<b>6</b>	<b>GARANTIE</b>	<b>69</b>	<b>7</b> <b>VERFÜGUNG</b>	<b>73</b>
			Nur für EU-Länder:	<b>73</b>





## Einführung

**Die Originalanleitung (Bedienungsanleitung/Gebrauchsanweisung) ist in englischer Sprache verfasst. Alle anderen Sprachen sind Übersetzungen der Originalanleitung (Bedienungsanleitung/Gebrauchsanweisung). Im Streitfall ist das Benutzerhandbuch in englischer Sprache maßgebend.**

**Der erste Band ist „ALLGEMEINES HANDBUCH“, während der zweite das „TECHNISCHE HANDBUCH“ ist. Wenn Sie keines davon erhalten haben, bitten Sie Ihren Händler, Ihnen eines zuzusenden, oder laden Sie es von [www.greyp.com](http://www.greyp.com) herunter.**

Diese Bedienungsanleitung wurde nur für Ihr Greyp-Fahrrad entwickelt. Es enthält wichtige Sicherheits-, Leistungs- und technische Informationen, die Sie vor Ihrer ersten Fahrt lesen und zum Nachschlagen aufbewahren sollten. Sie sollten auch das gesamte Benutzerhandbuch lesen, da es zusätzliche wichtige allgemeine Informationen und Anweisungen enthält, die Sie befolgen sollten.

*Wenn Sie keine Kopie des Benutzerhandbuchs haben, laden Sie es bitte kostenlos unter [www.greyp.com](http://www.greyp.com) herunter oder erhalten Sie es bei Ihrem nächstgelegenen autorisierten Greyp-Händler. Im Falle von Abweichungen ist die englische Version maßgebend.*

### Haftungsausschluss

Jegliche Modifikationen des Fahrrads sind streng verboten und Porsche eBike Performance d.o.o. übernimmt keinerlei Haftung für die Folgen solcher Änderungen. Porsche eBike Performance d.o.o. gewährt keiner Partei ausdrücklich oder stillschweigend Patentrechte, Lizenzen oder andere IP-Rechte, weder in Bezug auf diese Informationen selbst noch auf alles, was durch solche Informationen beschrieben wird.

Die von Porsche eBike Performance d.o.o. hierunter wird so, wie es ist, wo es ist und mit allen Fehlern bereitgestellt, und das gesamte mit solchen Informationen verbundene Risiko liegt vollständig beim Käufer. Die in diesem Dokument bereitgestellten Informationen sind Eigentum von Porsche eBike Performance d.o.o. und Porsche eBike Performance d.o.o. behält sich das Recht vor, jederzeit ohne Vorankündigung Änderungen an den Informationen in diesem Dokument oder an Produkten und Dienstleistungen vorzunehmen.

Sie sollten [www.greyp.com](http://www.greyp.com) auf Änderungen überprüfen, die im Benutzerhandbuch vorgenommen wurden.

## Allgemeine Warnung

Dieses Handbuch enthält viele „WARNUNGEN“ und „VORSICHTSMASSNAHMEN“ in Bezug auf die Folgen einer Nichtwartung oder -inspektion Ihres Fahrrads und einer Nichtbefolgung sicherer Fahrradpraktiken.

Die Kombination aus dem Sicherheitswarnsymbol und dem Wort WARNUNG weist auf eine möglicherweise gefährliche Situation hin, die, wenn sie nicht vermieden wird, zu schweren Verletzungen oder zum Tod führen kann.

Die Kombination aus dem Sicherheitswarnsymbol und dem Wort VORSICHT weist auf eine potenziell gefährliche Situation hin, die, wenn sie nicht vermieden wird, zu leichten oder mittelschweren Verletzungen führen kann, oder warnt vor unsicheren Praktiken.

Viele der WARNHINWEISE und VORSICHTSHINWEISE besagen, dass Sie die Kontrolle verlieren und stürzen können. Da jeder Sturz zu schweren Verletzungen oder sogar zum Tod führen kann, wiederholen wir nicht immer die Warnung vor möglichen Verletzungen oder Todesfällen.

Da es unmöglich ist, jede Situation oder jeden Zustand, der beim Fahren auftreten kann, vorherzusehen, gibt diese Bedienungsanleitung keine Zusicherung über die sichere Verwendung des Fahrrads unter allen Bedingungen. Mit der Nutzung eines Fahrrads sind Risiken verbunden, die nicht vorhersehbar oder vermeidbar sind und für die allein der Fahrer verantwortlich ist.

## Allgemeine Information



**Wichtiger Hinweis:** Bitte stellen Sie sicher, dass Sie dieses Benutzerhandbuch lesen, bevor Sie ein Greyp-Fahrrad zum ersten Mal verwenden. Es ist sehr wichtig, die Anweisungen im Handbuch zu befolgen, um sicherzustellen, dass Sie Greyp richtig verwenden. Porsche eBike Performance d.o.o. behält sich das Recht vor, Design, Komponenten und Spezifikationen jederzeit ohne Vorankündigung und unverbindlich zu ändern. Die Illustrationen und Bilder in diesem Handbuch dienen nur zu Demonstrationszwecken.



**WARNUNG** – Bitte wenden Sie sich an Ihren Händler oder Hersteller, bevor Sie versuchen, Ihr Greyp-Fahrrad zu reparieren. Dieses Benutzerhandbuch ist nicht als Wartungs- und Reparaturhandbuch gedacht.

Greyp Fahrräder werden als Pedelecs klassifiziert. Greyp Bike ist ein Fahrzeug, bei dem das Treten des Fahrers unterstützt wird durch einen Elektromotor mit 5 Unterstützungs- und Drehmomentstufen, der Ihnen eine Reihe von Kraftunterstützung bietet.

Bitte informieren Sie sich vor der Nutzung Ihres Greyp-Fahrrads über alle geltenden gesetzlichen Bestimmungen und Vorschriften in Ihrem Land oder Bundesland. Es kann Einschränkungen für das Fahren Ihres Greyp-Fahrrads auf öffentlichen Straßen, Radwegen und/oder Trails geben. Es kann auch geltende Helmanforderungen, Altersbeschränkungen oder Lizenz- oder Versicherungsanforderungen geben. Da Gesetze und Vorschriften zu Elektrofahrzeugen je nach Land und/oder Staat unterschiedlich sind und sich ständig ändern, stellen Sie bitte sicher, dass Sie die neuesten Informationen erhalten. Sie sollten sich auch regelmäßig an Ihren autorisierten Greyp-Händler wenden, um aktualisierte Informationen zu erhalten.

Alle Greyp Fahrräder haben eine fest voreingestellte Geschwindigkeitsbegrenzung, bei der sich die

Motorunterstützung automatisch abschaltet. Temperieren bedeutet, am Fahrrad einzugreifen, um Schäden zu verursachen oder unbefugte Änderungen vorzunehmen (d. h. den Austausch von Ritzel durch Nicht-Originalteile auszuschließen). Jegliche (versuchte) Manipulation an der Leistungsabgabe und/oder dem System (d -Originalteile) ist verboten, führt zum Erlöschen der Garantie, ist äußerst gefährlich und kann zu schweren und/oder tödlichen Verletzungen führen. Im Falle einer Manipulation empfehlen wir Ihnen, die Nutzung des Fahrrads einzustellen und einen autorisierten Greyp-Händler anzurufen.

## Sicherheits information

Bitte lesen Sie sorgfältig alle Warnungen und Hinweise in dieser Bedienungsanleitung, bevor Sie Ihr Greyp-Fahrrad verwenden.



**WARNUNG** – Sie erhöhen Ihr Verletzungsrisiko, wenn Sie Ihr Fahrrad falsch benutzen. Missbrauch kann Ihr Fahrrad zusätzlich belasten. Hohe Belastung kann zum Bruch des Rahmens oder eines Teils führen und das Verletzungsrisiko erhöhen. Um Ihr Verletzungsrisiko zu verringern, verwenden Sie Ihr Fahrrad so, wie es konzipiert wurde.



**WARNUNG** – Wie alle mechanischen Komponenten ist auch das EPAC (Electrically Power Assisted Cycles) Verschleiß und hoher Belastung ausgesetzt. Unterschiedliche Materialien und Komponenten können unterschiedlich auf Verschleiß oder Belastungsermüdung reagieren. Wenn die vorgesehene Lebensdauer einer Komponente überschritten wurde, kann sie plötzlich ausfallen und möglicherweise zu Verletzungen des Fahrers führen. Jegliche Form von Rissen, Kratzern oder Farbveränderungen an stark beanspruchten Stellen weist darauf hin, dass die Lebensdauer des Bauteils überschritten ist und es ausgetauscht werden sollte.



**WARNUNG** – Bei Verbundkomponenten können Stoßschäden für Sie unsichtbar sein und zu schweren oder tödlichen Verletzungen führen. Wenn Kompositkomponenten Anzeichen von Schäden aufweisen, verwenden Sie sie nicht und bringen Sie sie sofort zu Ihrem autorisierten Greyp-Händler zur Inspektion.

Der A-bewertete Emissionsschalldruckpegel am Ohr des Fahrers beträgt weniger als 70 dB(A).



**WARNUNG** – Unsachgemäßer Umgang mit einem Greyp-Fahrrad kann zu Schäden, Verletzungen und/oder Tod führen. Bitte stellen Sie sicher, dass Sie lernen, wie Sie Ihr Greyp-Fahrrad auf sichere und verantwortungsvolle Weise bedienen.


Greyp-Fahrräder sind dazu bestimmt, jeweils nur eine Person zu transportieren. Wenn Sie jemand anderem erlauben, Ihr Greyp-Fahrrad zu benutzen, geben Sie ihm bitte dieses Benutzerhandbuch.


Wir empfehlen, die Originalverpackung, mit der das Fahrrad geliefert wurde, für die Garantiezeit aufzubewahren, falls es Probleme geben sollte.





**WARNUNG** – Wir empfehlen Ihnen dringend, beim Fahrradfahren einen Helm und andere Sicherheitsausrüstung zu tragen. In einigen Ländern besteht eine Helmpflicht. Bitte überprüfen Sie, ob dies in Ihrem Land der Fall ist.


Fahren Sie nur bei Umgebungstemperaturen zwischen 5 °C (41 °F) und 40 °C (104 °F).

 **WARNUNG** – Bestimmte Greyp-Fahrräder sind mit zwei Lichtpaaren ausgestattet. Verwenden Sie ggf. ein einzelnes großes weißes LED-Licht, das an der Gabel montiert ist, als Hauptlicht vorne und ein einzelnes großes rotes LED-Hinterlicht (mit eingebautem Z-Reflektor) als Hauptrücklicht.

 **WARNUNG** – Greyp-Leuchten (4 weiße LEDs an der Anzeigeeinheit - CIM und 4 rote LEDs an der Rückfahrkamera - BUTS) sind in erster Linie als Zusatzscheinwerfer konzipiert und Sie sollten darauf achten, dass Sie Scheinwerfer verwenden die den im Verwendungsland geltenden Bestimmungen entsprechen.


 **WARNUNG** – Reflektoren, die nur bei Lichteinfall funktionieren, sind kein Ersatz für Leuchten. Das Fahren im Dunkeln oder bei schlechten Sichtverhältnissen ohne ausreichende Beleuchtung ist äußerst gefährlich.

 **WARNUNG** – Greyp-Fahrräder sind nicht für Kindersitze, das Ziehen von Kinderanhängern oder andere Arten von Anhängern zugelassen. Verwenden Sie keine Kindersitze oder Fahrradanhänger auf dem Gepäckträger.

 **WARNUNG** – Die Funktion der Kamera als empfindliches Gerät kann durch eine elektrische Entladung beeinträchtigt werden. Starten Sie das Fahrrad in diesem Fall neu.

## Allgemeine Informationen zur Montage

Dieses Benutzerhandbuch ist nicht als umfassender Gebrauch, Service, Reparatur oder Wartung gedacht führen. Bitte wenden Sie sich für alle Service-, Reparatur- oder Wartungsarbeiten an Ihren autorisierten Greyp Partner.

 **WARNUNG** – Ändern oder modifizieren Sie keine Teile Ihres Greyp-Fahrrads. Installieren Sie keine inkompatiblen Komponenten oder Hardware.

# 2

## Allgemeine Hinweise zum Reiten

Der Motor bietet Tretunterstützung, während Sie in die Pedale treten und das Fahrrad in Bewegung ist. Je nach Kraft, die auf die Pedale ausgeübt wird, ist die Tretunterstützung höher oder niedriger. Wenn Sie mit dem Treten aufhören, stellt der Motor die Unterstützung ein. Das Greyp Bike kann auch als normales Fahrrad ohne Motorunterstützung gefahren werden, indem das Fahrzeug in den OFF-Modus geschaltet wird. Gleiches gilt, wenn der Akku leer ist.

Greyp-Fahrräder haben einen Gehunterstützungsmodus (der Motor schaltet sich ein, ohne dass Pedalkraft ausgeübt wird) die dazu dient, das Fahrzeug beim Bergauffahren zu unterstützen.

Nach ungefähr 100 Kilometern oder 62 Meilen oder 3 bis 6 Wochen ist die erste Wartung des Fahrrads fällig. In der Einfahrphase verlieren Speichen normalerweise ihre Spannung, Schrauben verlieren Spannung, Kabel verlängern sich, Zahnräder werden falsch eingestellt und Lager laufen ein. Es gibt also allen Grund, das Fahrrad in dieser Phase von Ihrem Händler warten zu lassen. Dieser Reifeprozess ist unvermeidlich. Vereinbaren Sie deshalb einen Termin mit Ihrem Greyp-Händler oder Fahrradservice vor Ort für eine erste Inspektion Ihres neuen Fahrrads. Die erste Inspektion ist sehr wichtig für die Funktion und Haltbarkeit Ihres Fahrrads.

Es ist ratsam, Ihr Fahrrad nach der Einfahrphase regelmäßig warten zu lassen. Der im technischen Handbuch angegebene Zeitplan ist ein grober Richtwert für Radfahrer, die zwischen 1.000 und 2.000 km pro Jahr mit dem Fahrrad fahren. Wenn Sie regelmäßig mehr fahren oder viel auf schlechten Straßen fahren, verkürzen sich die Wartungszeiten entsprechend.



**WARNUNG** – Zur bestimmungsgemäßen Verwendung des Fahrrades gehört die regelmäßige Wartung und der Austausch von Verschleißteilen und hat somit auch Einfluss auf die Gewährleistung.



**WARNUNG** – Es ist verboten, einen Kindersitz auf dem Lenker des Gepäckträgers, der Sattelstütze, dem Oberrohr des Rahmens, dem Steuerrohr des Rahmens oder an anderen Stellen zu installieren, die nicht für die Installation eines Kindersitzes vorgesehen sind. Die Nichtbeachtung dieser Anweisungen kann zu schweren Schäden am Fahrrad, Verletzungen oder zum Tod führen.



## Gepäckträger und Seitenständer (falls vorhanden)

Ein Gepäckträger ist ein Gerät, das zum Transport von Gepäck verwendet werden kann. Für diese Gepäcksystemträger gibt es vielfältiges Zubehör wie Körbe oder Taschen, die auf der Gepäckfläche einrasten.



**WARNUNG** – Nehmen Sie keine Veränderungen am Gepäckträger vor.



**WARNUNG** – Gepäck kann nur auf dem Gepäckträger sicher transportiert werden.



**WARNUNG** – Wenn der Gepäckträger beladen ist, kann sich das Fahrrad anders verhalten, d. h. der Bremsweg kann länger sein, die Stabilität kann beeinträchtigt sein und die Wendefähigkeit kann verringert sein.



**WARNUNG** – Bitte stellen Sie sicher, dass das auf dem Gepäckträger befestigte Gepäck sicher befestigt ist und dass keine losen Gurte in das Rad gelangen können. Achten Sie immer darauf, dass Spanngurte oder Kabel nicht in bewegliche Teile, z. das rotierende Hinterrad der Tretkurbel.

Achten Sie beim Beladen Ihres Fahrrads darauf, dass Reflektoren oder Lichter weiterhin sichtbar sind. Wir raten dazu

Sie verteilen das Gepäck gleichmäßig auf beide Seiten des Gepäckträgers.

Für die maximal zulässige Radgröße und Reifen für den Gepäckträger auf Greyp-Fahrrädern überprüfen Sie die technischen Informationen

Handbuch unter „Geeignete Ersatzteile: Vorder- und Hinterreifen“.

Die maximale Belastungsgrenze des Gepäckträgers beträgt 25 kg. Überladen Sie den Gepäckträger nicht. Beladen Sie den Gepäckträger gleichmäßig. Achten Sie darauf, dass das Gepäck ausreichend gesichert ist, um ein Herunterfallen zu verhindern.

Einige Greyp sind mit einem Seitenständer ausgestattet. Ein Fahrradständer ist eine Vorrichtung zum aufrechten Abstellen des Fahrrads nach Gebrauch.



**WARNUNG** – Stellen Sie sicher, dass sich bei Verwendung des Seitenständers kein zusätzliches Gewicht auf dem Fahrrad befindet, da das Überschreiten der Belastungsgrenze dazu führen kann, dass das Fahrrad umfällt und schwere Schäden oder Verletzungen verursacht..

## Reit tipps

Im Folgenden finden Sie einige Fahrtipps, die auch den Verschleiß der Komponenten verringern und die Reichweite der Batterie erhöhen können.

- » *Achten Sie auf Ihre Geschwindigkeit, wenn Sie in eine Kurve hineinfahren, und stellen Sie sicher, dass Sie rechtzeitig mit dem Treten aufhören, bevor Sie in die Kurve hineinfahren. Andernfalls haben Sie möglicherweise zu viel Geschwindigkeit, wenn Sie in die Kurve einfahren.*
- » *Effizient fahren und nach vorne schauen. Jedes Mal, wenn eine Bremskraft ausgeübt wird, wird mehr Energie benötigt, um das Fahrzeug wieder auf Geschwindigkeit zu bringen;*
- » *Regelmäßig schalten, um im optimalen Trittfrequenzbereich zu bleiben und vorher herunterschalten zum Stillstand kommen;*
- » *Reduzieren Sie die Pedalkraft, bevor Sie einen Gangwechsel einleiten, um den Verschleiß des Antriebsstrangs zu verringern;*
- » *Kontrollieren Sie regelmäßig den Reifendruck. Niedriger Druck kann dazu führen, dass die Reifen rollen ineffizient;*
- » *Wenn Ihr Fahrzeug kühlerem Wetter ausgesetzt ist, lagern Sie die Batterie im Haus, bis kurz vor dem Reiten;*
- » *Setzen Sie Ihr Fahrzeug keiner übermäßigen Hitze aus;*
- » *Tragen Sie nur die Fracht, die Sie benötigen. Mehr Frachtgewicht erfordert mehr Energie, um sich zu bewegen.*



**WARNUNG** – Eine unsachgemäße Schalttechnik des Umwerfers kann dazu führen, dass Ihre Kette klemmt oder sich löst, wodurch Sie die Kontrolle verlieren und stürzen.

Schalten Sie immer nur einen Gang. Achten Sie beim Schalten darauf, dass Sie die Kraft reduzieren und während der gesamten Dauer leicht in die Pedale treten. Das Schalten unter hoher Last oder das gleichzeitige Schalten mehrerer Gänge kann zu vorzeitigem Verschleiß und Schäden an Ihrem Antriebsstrang führen.

## Inspektion vor der Fahrt

- » *Laden Sie den Akku vor der ersten Fahrt zu 100 % auf;*
- » *Prüfen Sie, ob die Schnellspannhebel bzw. Achsmuttern fest angezogen sind;*
- » *Überprüfen Sie die Bremsbeläge auf übermäßigen oder ungleichmäßigen Verschleiß;*
- » *Stellen Sie sicher, dass alle Schrauben an den Brems- und Lenkungsteilen fest angezogen sind;*
- » *Felgen drehen – auf Wackeln prüfen;*
- » *Prüfen Sie den Reifendruck;*
- » *Überprüfen Sie die Reifen auf übermäßigen Verschleiß, Risse oder Schrammen;*
- » *Überprüfen Sie, ob die Gänge reibungslos schalten;*
- » *Überprüfen Sie die Kette auf Rost, Schmutz, schwergängige Glieder oder erkennbare Verschleißerscheinungen (die Kette sollte sauber und geschmiert sein, verwenden Sie unbedingt ein Kettenlängungsmessgerät);*
- » *Ziehen Sie die Vorderradbremse an und schieben Sie das Fahrrad vorwärts und rückwärts (der Steuersatz sollte fest sitzen und keine klappernden Geräusche machen).*



**WARNUNG** – Wenn Sie sich Ihrer Umgebung bewusst sind, können Vorfälle drastisch reduziert werden. Wenn du bist Achten Sie auf der Straße auf den Verkehr und die Straßenverhältnisse. Im Gelände kann die Reibung zwischen den Reifen und dem Boden geringer sein, wodurch Sie die Kontrolle verlieren und einen Unfall verursachen können.



**VORSICHT** – Bei Nachtfahrten ist Ihr Sichtfeld besonders kurz, ja sogar sehr kurz. Nachts sind Hindernisse schwerer zu erkennen. Seien Sie äußerst vorsichtig, verlangsamen Sie, um die viel kürzere Reaktionszeit auszugleichen, und fahren Sie mit einer Geschwindigkeit, die Ihrem Sichtfeld und Ihrer Umgebung entspricht.

## Fahrtipps für Kinder

Greyp-Fahrräder sind nur für die Verwendung durch jeweils eine Person konzipiert und getestet. Greyp Fahrräder sind nicht für Kinder unter 16 Jahren bestimmt. Erlauben Sie Kindern unter 16 Jahren nicht, ein Greyp-Fahrrad zu fahren.

## Sattelstütze – Grundlagen

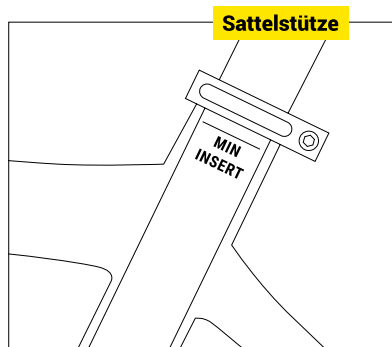


**WARNUNG** – Stellen Sie sicher, dass die Sitzposition so eingestellt ist, dass die Füße eines sitzenden Fahrers dies können den Boden berühren. Wenn Ihr Fahrrad nicht richtig passt, können Sie die Kontrolle verlieren und stürzen.



**WARNUNG** – Stellen Sie nach jeder Sattelleinstellung sicher, dass der Sattelleinstellmechanismus richtig sitzt und festgezogen ist, bevor Sie losfahren. Eine lose Sattelklemme oder Sattelstützenklemme kann die Sattelstütze beschädigen oder dazu führen, dass Sie die Kontrolle verlieren und stürzen. Verwenden Sie den Handballen, um den Hebel zu drücken. Ein korrekt angezogener Sattelleinstellmechanismus lässt keine Sattelbewegung in irgendeine Richtung zu. Überprüfen Sie regelmäßig, ob der Sattelleinstellmechanismus richtig festgezogen ist.

Bestimmte Greyp-Fahrräder haben eine Teleskopsattelstütze. Machen Sie sich vor Ihrer ersten Fahrt mit den Eigenschaften der Sattelstütze vertraut. Bedienen Sie den Teleskopsitz nur, wenn er Ihre Aufmerksamkeit nicht von der Straße und dem Gelände ablenkt. Die meisten Greyp-Fahrräder mit einer Teleskopsattelstütze haben Informationen vom Hersteller der Teleskopsattelstütze (siehe technisches Handbuch) ([www.kssuspension.com](http://www.kssuspension.com)). Eine teleskopierbare Sattelstütze ermöglicht die Einstellung der Sattelhöhe durch Betätigung eines Hebels unterhalb des Sattels oder einer Fernbedienung am Lenker, sowohl im Stand als auch während der Fahrt.



Um den Sattel abzusenken, beschweren Sie den Sattel fest mit der Hand oder setzen Sie sich auf das Fahrrad, während Sie den Betätigungshebel oder die Fernbedienung gedrückt halten. Lassen Sie den Hebel los, wenn die gewünschte Höhe erreicht ist.

Um den Sattel anzuheben, betätigen Sie Ihre Sattelstütze, indem Sie den Hebel ziehen oder die Lenkerfernbedienung drücken. Entlasten Sie den Sattel und lassen Sie den Hebel los, wenn die gewünschte Höhe erreicht ist.

Sie können Ihren Sattel innerhalb des Federwegs der Sattelstütze in jede gewünschte Position anheben und absenken.

Die Sattelhöhe wird immer mit nach unten gerichtetem Kurbelarm und in einer Linie mit dem Sitzrohr gemessen. Der Abstand von der Mitte der Pedalachse bis zur Oberkante Ihres Sattels ist Ihre Sattelhöhe. Bevor Sie die Höhe Ihres Sattels ändern, sollten Sie Ihre aktuelle Sattelhöhe messen.

Alle Sattelstützenmodelle müssen in das Sattelrohr des Fahrrads eingeführt werden, um die auf der Sattelstütze angegebene Mindesteinstecklinie abzudecken. Ein unzureichendes Einführen der Sattelstütze in das Sitzrohr des Fahrradrahmens kann zu Schäden an der Sattelstütze und/oder dem Fahrzeug führen und zu einem Verlust der Kontrolle führen, was zu schweren oder tödlichen Verletzungen führen kann.

## Bremsen – Grundlagen



**WARNUNG** – Bremsvorrichtungen an Greyp-Fahrrädern sind Hochleistungsprodukte, die

eine größere Bremskraft bieten als normale Fahrräder. Dadurch ist weniger Kraftaufwand erforderlich, um das Rad beim Bremsen zu blockieren. Seien Sie vorsichtig, da ein blockiertes Rad zum Verlust der Kontrolle über das Fahrzeug und zu Verletzungen führen kann. Bremsen sind für die sichere Nutzung eines Fahrzeugs unerlässlich – eine unsachgemäße Einstellung und Verwendung der Bremsen kann dazu führen, dass Sie die Kontrolle verlieren und einen Unfall mit unvorhersehbaren Folgen und/oder möglicherweise schweren Verletzungen verursachen. Scheibenbremsen werden im Betrieb SEHR heiß. Üblicherweise betätigt der linke Hebel die Vorderradbremse und der rechte Hebel die Hinterradbremse (dies kann je nach Land variieren).



**VORSICHT** – Berühren Sie NIEMALS den Bremssattel oder den Rotor unmittelbar nach dem Gebrauch. Stellen Sie sicher, dass die Bremsen abgekühlt sind, bevor Sie daran arbeiten.

Die Bremsscheiben müssen an Rädern montiert werden, die für diese Art von Bremssystem geeignet sind. Ein Laufrad mit zu geringem Speichenquerschnitt oder mit radialer Speicheneinschnürung kann bei normaler Verwendung des Bremssystems brechen und schwere Verletzungen, Unfälle oder den Tod verursachen. Erkundigen Sie sich vor der Installation bei Ihrem Laufradhersteller, um die Kompatibilität sicherzustellen.

Überprüfen Sie häufig die Spannung und den Zustand der Speichen. Eine beschädigte Speiche kann plötzlich brechen und das Bremssystem stören. Dies kann zu schweren Verletzungen, Unfällen oder Tod führen.



**WARNUNG** – Stellen Sie vor jeder Fahrt sicher, dass keine Flüssigkeit im System austritt, indem Sie den Hebel betätigen und ihn so weit wie möglich gedrückt halten. Überprüfen Sie die Schlauchverbindungen und den Bremsflüssigkeitsbehälter auf Undichtigkeiten. Wenden Sie sich an einen professionellen Mechaniker, wenn Flüssigkeit austritt. Ein Flüssigkeitsaustritt kann zu schweren Unfällen oder zum Tod führen.



**VORSICHT** – Bei nassem Wetter und unsachgemäßer Verwendung der Bremsen können sich die Bremswege verlängern kann dazu führen, dass Sie die Kontrolle verlieren, stürzen und einen Unfall verursachen.

Testen Sie die Bremsen und Ihre Bremstechnik auf ebenem und ebenem Untergrund, bevor Sie mit dem Fahrrad fahren schwerere Bedingungen.

Weitere Informationen zu Formula Cura-Bremsen finden Sie auf [www.rideformula.com](http://www.rideformula.com)

## Getriebe system

Wenn Sie nicht sauber schalten können, müssen Sie die Schaltung am Schalthebelgehäuse anpassen. Nachstellschraube am Schalthebelgehäuse nach und nach mit den Fingern herausdrehen und nach jeder Umdrehung die Funktion der Schaltung prüfen.

Bei einigen Systemen müssen Sie den Einsteller leicht aus seiner Position ziehen, um ihn drehen zu können. Stellen Sie sicher, dass es wieder in Position ist, bevor Sie die Funktion der Zahnräder überprüfen. Lässt sich die Gangschaltung auf diese Weise nicht einstellen, muss das System vom professionellen Fahrradmechaniker überprüft werden.

## Suspension – Grundlagen



**WARNUNG** – Unsachgemäß installierte, gewartete oder eingestellte Komponenten sind äußerst gefährlich und können zu schweren und/oder tödlichen Verletzungen führen. Wenn Sie Fragen zur Installation dieser Komponenten haben, wenden Sie sich an einen qualifizierten Fahrradmechaniker.

## Empfohlener Reifendruck

Der Reifendruck ist ein wichtiger Faktor, um richtig mit dem Fahrrad zu fahren. Wenn der Reifendruck zu hoch ist, passt sich der Reifen nicht dem Boden an, wodurch die Traktion verringert wird. Beim Einstellen des Reifendrucks ist ein genaues Manometer wichtig; vorzugsweise ein digitales Messgerät mit einer Genauigkeit von 0,03 [bar] (0,5 [psi]).

Der empfohlene Reifendruck variiert leicht je nach Fahrergewicht, Fahrstil und Gelände. Einige Fahrer finden es möglicherweise hilfreich, eine Fahrt mit einem etwas höheren Druck als empfohlen zu beginnen und im Laufe der Fahrt etwas Luft abzulassen, bis sie ihren idealen Reifendruck gefunden haben.

**Den maximalen Fülldruck finden Sie im technischen Handbuch.**



**WARNUNG** – Wenn die maximalen Druckwerte in diesem Handbuch und den Werten auf der Seitenwand eines Reifens in irgendeiner Weise unterschiedlich sind, beziehen Sie sich bitte auf die Werte, die auf der Seitenwand des Reifens oder auf dem Rad (je nachdem, was am niedrigsten ist) angegeben sind. Pumpen Sie einen Reifen niemals über den auf der Seitenwand des Reifens markierten Höchstdruck auf. Das Überschreiten des empfohlenen Maximaldrucks kann den Reifen von der Felge blasen, was zu Schäden am Fahrrad und Verletzungen des Fahrers und/oder umstehender Personen führen kann.

Den empfohlenen Mindest-Reifendruck finden Sie auf der Reifenflanke. Reifen niemals unter den empfohlenen Mindestreifendruck aufpumpen. Wenn der Reifendruck zu niedrig ist, kann der Reifen platt drücken und schwer zu handhaben sein und zu Kontrollverlust führen.



## 3

## Batterie und Ladegerät

Ihr Fahrrad wird von einem Lithium-Ionen-Akku (Li-Ion) mit Strom versorgt. Halten Sie sich immer an die folgenden Anweisungen, wenn Sie den Akku handhaben oder aufladen oder wenn Sie Ihr Greyp-Fahrrad verwenden. Verwenden Sie den Greyp-Akku nur mit dem entsprechenden Greyp-Fahrrad. Verwenden Sie den Greyp-Akku nicht mit anderen Produkten oder einen anderen Akku mit dem Greyp-Fahrrad, auch wenn er passt.

Schalten Sie das Fahrrad aus, trennen Sie das Ladegerät vom Fahrrad und entfernen Sie den Akku vom Fahrrad, bevor Sie Arbeiten jeglicher Art wie Installation, Wartung, Reinigung und/oder Reparatur durchführen. Wenn Sie den Akku getrennt von Ihrem Greyp-Fahrrad transportieren oder handhaben, stellen Sie sicher, dass der Akku ausgeschaltet ist (Sie können dies tun, indem Sie den Akku an das Fahrrad anschließen und wenn sich das Fahrrad nicht von selbst einschaltet, bedeutet dies, dass der Akku ausgeschaltet ist). Das Berühren der Kontakte bei eingeschaltetem Akku kann zu Stromschlägen und/oder Verletzungen führen.

Bevor Sie mit dem Fahrrad fahren, vergewissern Sie sich, dass der Akku ordnungsgemäß im Rahmen befestigt ist.

Modifizieren, öffnen oder zerlegen Sie den Akku oder das Ladegerät nicht, da eine Modifikation oder Demontage zu einem Kurzschluss, Stromschlag, Feuer oder einer Fehlfunktion führen kann.

Gehen Sie vorsichtig mit dem Akku um und lassen Sie ihn nicht fallen. Bewahren Sie die Batterie außerhalb der Reichweite auf Kinder und Tiere.

### Technische Daten der Batterie

#### INFORMATIONEN ZUM GRAUEN AKKUPACK

HERSTELLERIN:	PORSCHE EBIKE PERFORMANCE D.O.O.
MODELL/TYPENBEZEICHNUNG:	G6-02
GEWICHT:	3.5 Kg
BATTERIETYPENBEZEICHNUNG:	10INR19/66-6
ZELLENKONFIGURATION:	10S6P
KAPAZITÄT (Ah):	19.3 Ah
ENERGIE (Wh):	700 Wh



## INFORMATIONEN ZUM GRAUEN G6-AKKUPACK

<b>KOMMUNIKATION:</b>	KANN
<b>ANWENDUNG MIT UMGEBUNG:</b>	INNEN UND AUSSEN, -20~50 °C [-4~122°F]
<b>KÜHLUNG:</b>	NATÜRLICHE KONVEKTION
<b>AUFLADEN:</b>	ZWISCHEN 0-40°C [32~104°F]
<b>SCHUTZ:</b>	SCHUTZART: SICHERUNG/ZELLE LADETEMP, ENTLADUNGSTEMP / ZELLENSPANNUNG  SCHUTZKLASSE : 40 A/ 0°C [32°F] BIS 55°C [131°F], -20°C [-4°F] BIS 60°C [140°F] / 2,5 BIS 4,19 VOLT  ÜBERLASTSCHUTZ: 30 A, 5 S  KURZSCHLUSSSCHUTZ: 150 A
<b>ANDERE INFORMATIONEN:</b>	ZELLINFORMATIONEN: LG INR18650-MJ1, LI-ION, 3,63 V, 3500 MAH  AUSGANGSSTECKVERBINDER: ROPD-TYP, AUTOMOTIVE, 48 V, 30 A, UV-BESTÄNDIG
<b>LADE METHODE:</b>	CC/CV
<b>I MAXIMALE AUFLADUNG:</b>	9.0 A
<b>I AUFLADUNG:</b>	4.0 A (OPTIONAL: 8.0 A)
<b>I ENTLADUNG:</b>	20.0 A KONTINUIERLICH
<b>U AUFLADUNG MAX:</b>	42.0 V
<b>U LADEN NOM:</b>	36.3 V
<b>U ENTLADUNG ENDE:</b>	25.0 V
<b>U LADEENDE:</b>	41.9 V
<b>ZERTIFIZIERUNG:</b>	UN 38.3 (6TH ED.)



## Wichtige Batterieinformationen

**WARNUNG** – Die Nichtbeachtung der Anweisungen in diesem Abschnitt kann zu Schäden an elektrischen Komponenten Ihres Fahrrads und zum Erlöschen Ihrer Garantie führen, vor allem aber zu Feuer, chemischer Verbrennung, Auslaufen von Elektrolyt und/oder schweren oder tödlichen Verletzungen. Wenn Ihr Akku oder Ladegerät Anzeichen von Schäden aufweist, verwenden Sie es nicht und bringen Sie es sofort zu Ihrem autorisierten Greyp Händler zur Inspektion.

Der für Akku und Ladegerät verwendete Stecker ist magnetisiert (RoPD) und kann metallische Gegenstände anziehen. Achten Sie darauf, dass keine Schrauben oder andere kleine, scharfe und/oder metallische Gegenstände mit dem Akkuanschluss, der Fahrradladebuchse oder dem Ladegerätanschluss in Kontakt kommen.

Verwenden Sie beim Lagern, Transportieren oder Reinigen des Fahrrads und/oder des Akkus immer die mitgelieferten Steckerkappen aus Kunststoff.

Lithium-Ionen-Akkus sind extrem empfindlich gegenüber hohen Temperaturen und von Natur aus brennbar. Lithium-Ionen-Akkupacks tendieren dazu, sich aufgrund von Hitze viel schneller zu verschlechtern, als dies normalerweise der Fall wäre. Wenn ein Ereignis zur Entzündung der Batterie führt, verwenden Sie nur einen Feuerlöscher der Klasse – D (verwenden Sie kein Wasser), atmen Sie keinen Rauch ein und rufen Sie sofort die Feuerwehr.

Wenn ein Lithium-Ionen-Akkupaket ausfällt, geht es in Flammen auf und kann eine Explosion und weitreichende Schäden verursachen. Beim Entzünden von Lithium-Ionen-Akkus breitet sich Feuer schnell aus und brennt bei großer Hitze. Rauch von Lithium-Ionen-Batteriebränden ist giftig.

Bewahren Sie die Batterie an einem kühlen, trockenen, sicheren und isolierten Ort fern von brennbaren Gegenständen auf.

Das Aufladen einer Lithium-Ionen-Batterie sollte immer in einem sicheren, isolierten und belüfteten Bereich von brennbaren Gegenständen und unter Aufsicht erfolgen. Wenn der Akku voll ist, trennen Sie ihn sofort vom Ladegerät. Wenn Sie den Akku an einem Ladegerät belassen, kann er ausfallen. Lassen Sie einen vollen Akku nicht am Ladegerät.

Laden Sie den Akku niemals in der Nähe von brennbaren Materialien oder Gegenständen auf. Laden Sie den Akku auch nicht an Orten auf, an denen mit hohen Temperaturen oder Sonneneinstrahlung zu rechnen ist. Da durch den Ladevorgang selbst Wärme entsteht, sollten Sie den Akku während des Ladevorgangs niemals abdecken.

Bevor Sie den Akku oder das Ladegerät anschließen, überprüfen Sie immer den Akkustecker, die Fahrradladebuchse und den Stecker des Ladegeräts auf Beschädigungen oder Fremdkörper. Schließen Sie im Falle einer Beschädigung weder den Akku noch das Akkuladegerät an und wenden Sie sich bitte an Ihren autorisierten Greyp-Händler. Im Falle eines Fremdkörpers entfernen Sie ihn bitte sicher mit nicht leitendem Material, bevor Sie den Akku an Ihr Greyp-Fahrrad anschließen.

Lassen Sie niemals einen vollen oder leeren Akku für längere Zeit stehen. Wenn Sie eine volle Batterie belassen, kann dies zu einer internen Beschädigung der Batterie führen, die dann in Flammen aufgehen und weitreichende Schäden verursachen kann. Halten Sie den Akku von Metallgegenständen oder anderen leitfähigen Materialien fern, da diese einen Kurzschluss verursachen können.

Lassen Sie den Akku nicht überhitzen. Lassen Sie die Batterie nicht einer Wärmequelle oder an einem Ort mit hoher Temperatur ausgesetzt, zB in der Sonne in einem unbeaufsichtigten Fahrzeug. Um Schäden zu vermeiden, lagern Sie den Akku vor direkter Sonneneinstrahlung. Setzen Sie den Akku keinem Feuer, Heizkörperhitze, Explosion oder anderen Gefahren aus. Setzen Sie jedes Mal, wenn Sie den Akku vom Fahrrad abnehmen, die Kunststoff-Anschlusskappe auf den Akkuanschluss, um Schäden am Akku zu vermeiden.

Verwenden Sie beim Lagern, Transportieren oder Reinigen des Fahrrads und/oder des Akkus immer die mitgelieferten Steckerkappen aus Kunststoff. Tauchen Sie den Akku nicht in Wasser.





Besprühen Sie den Akku, das Ladegerät oder die Anschlüsse nicht mit Wasser. Wenn Sie bemerken, dass Wasser in den Akku eingedrungen sein könnte, bringen Sie den Akku langsam in einen feuersicheren, isolierten Bereich, entfernt von brennbaren Gegenständen, und wenden Sie sich an Greyp oder einen autorisierten Fahrradhändler.

Bei unzureichender Verbindung zwischen den Ladesteckern und dem Batteriestecker bzw. der Ladebuchse können Funktionsstörungen auftreten und es besteht eine potentiell gefährliche Situation. In diesem Fall sollten Sie den Stecker des Ladegeräts und die Batterie trennen und prüfen, was die unzureichende Verbindung verursacht hat.

Verwenden Sie keine Batterie, die Anzeichen von Beschädigungen aufweist (hohles Gehäuse, gesprungener Deckel, gesprungener Anschluss, beschädigter Anschluss) oder aus der Flüssigkeit austritt. Bringen Sie den Akku langsam in einen feuersicheren, isolierten Bereich, entfernt von brennbaren Gegenständen, und wenden Sie sich an Greyp oder einen autorisierten Fahrradhändler. Batterieflüssigkeit kann Hautreizungen und Verbrennungen verursachen. Im Falle einer Beschädigung, die zu Haut- oder Augenkontakt mit Batterieflüssigkeit führt, spülen Sie sofort mit Wasser und suchen Sie einen Arzt auf.

Der Akku ist schwer. Gehen Sie vorsichtig damit um und lassen Sie es nicht fallen. Wenn eine übermäßige Kräfteinwirkung von außen (z. B. Herunterfallen des Akkus, Schlagen des Akkus mit einem harten Gegenstand) auftritt, bringen Sie den Akku sofort an einen feuersicheren Ort und wenden Sie sich an Greyp oder einen autorisierten Fahrradhändler, da dies einen internen Kurzschluss verursachen kann - Dies kann zu einem außer Kontrolle geratenen thermischen Ereignis führen und dazu führen, dass die Batterie Feuer fängt. Wenn Sie Schäden oder etwas Ungewöhnliches an der Batterie sehen/beobachten (z. B. Delle, Loch oder Bruch der Batterie oder des Schlauchs, Rauch, Geruch, Verkauf, Lärm, Hitze), schalten Sie das Fahrrad sofort aus, trennen Sie das Fahrrad oder die Batterie. Trennen Sie es von der Stromquelle (falls angeschlossen) und bringen Sie das Fahrrad/den Akku langsam in einen feuersicheren, isolierten Bereich, entfernt von brennbaren Gegenständen, und wenden Sie sich an Greyp oder einen autorisierten Fahrradhändler. Wenn Sie dies tun können, entfernen Sie den Akku sicher aus dem Fahrrad. Verwenden Sie Feuerschutzhandschuhe, damit Sie den Akku nicht mit bloßer Haut berühren.

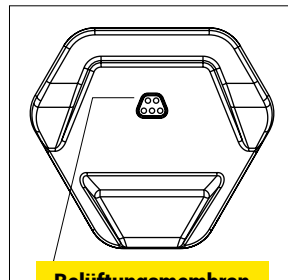
Schließen Sie den Akkustecker, die Fahrradladebuchse oder den Ladestecker nicht an, wenn sie nass sind. Sie können den Akkustecker, die Fahrradladebuchse oder den Ladestecker mit einem trockenen Tuch trocken. Es ist wichtig, dass Sie die Anweisungen auf dem Etikett des Batterieladegeräts befolgen und immer ein geeignetes Greyp-Ladegerät verwenden.

Der Akku kann aufgeladen werden, unabhängig davon, ob er im Fahrrad installiert ist oder nicht. Beachten Sie die entsprechenden Anweisungen zum Entfernen und Installieren der Batterie. Laden Sie den Akku nur bei einer Umgebungstemperatur zwischen 0°C und 40°C (32°F und 104°F). Wenn die Außentemperaturen zu heiß oder zu kalt sind, laden Sie den Akku im Inneren auf. Wenn der Akku zu heiß oder zu kalt ist, wird er aus Sicherheitsgründen nicht aufgeladen.

Decken Sie die Entlüftungsmembran zu keinem Zeitpunkt ab. Das Abdecken der Belüftungsmembran kann zu einer Überhitzung der Batterie führen

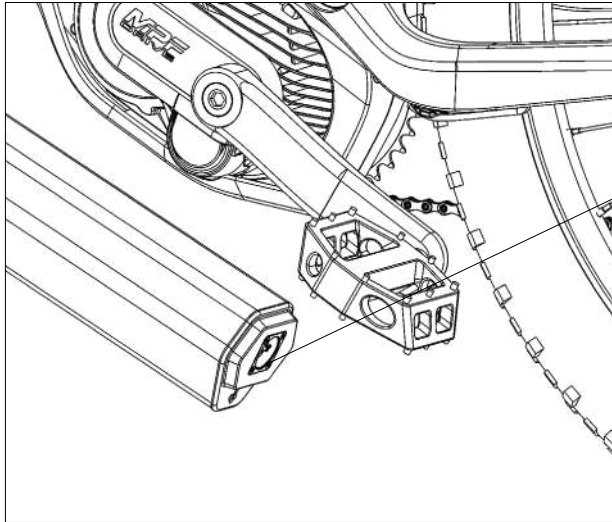
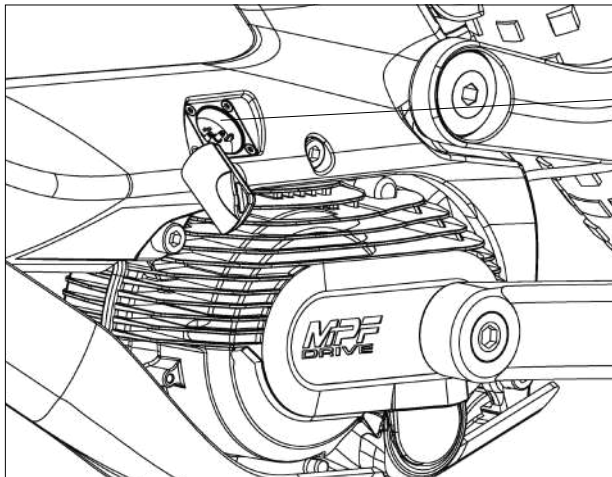
- was ein außer Kontrolle geratenes thermisches Ereignis verursachen und dazu führen kann, dass die Batterie Feuer fängt.

Stecken Sie nichts in die Belüftungsmembranöffnungen am Batteriedeckel. Wenn Schmutz in den Belüftungsmembranöffnungen steckt, verwenden Sie eine weiche Bürste, um sie zu reinigen. Wenn Sie Löcher an der Belüftungsmembran bemerken, stellen Sie die Verwendung des Akkus sofort ein und wenden Sie sich an Greyp oder einen autorisierten Fahrradhändler.



**Belüftungsmembran**



**AUF DER BATTERIE****ON THE BIKE**

Stecken Sie den Stecker des Ladegeräts in eine geeignete Steckdose (je nach Ladegerät) und verwenden Sie den entsprechenden Stecker/Adapter für die Norm Ihres Landes.

Öffnen Sie die Ladebuchse am Fahrrad und schließen Sie dann das Ladegerät an die Ladebuchse am Fahrrad an. Es ist möglich, den Akku zu laden, wenn er vom Fahrrad entfernt wird. Stecken Sie in diesem Fall das Ladegerät in die Batteriebuchse.

Während des Ladevorgangs leuchtet das Licht am Ladegerät rot. Wenn der Akku vollständig aufgeladen ist, leuchtet das Licht am Ladegerät grün. Achten Sie bei der Überwachung des Ladevorgangs auf das LED-Licht am Ladegerät.

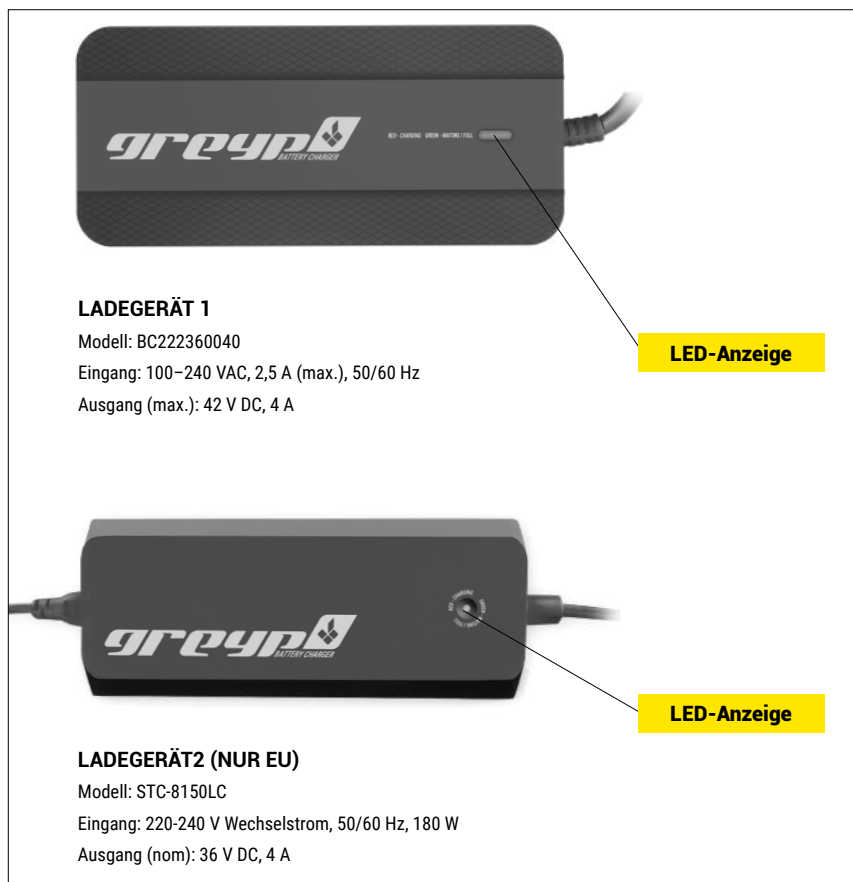
Trennen Sie nach Abschluss des Ladevorgangs den Ladestecker von der Batteriebuchse. Trennen Sie das Ladegerät von der Steckdose.

Stellen Sie sicher, dass die Eingangsspannung des Ladegeräts im Bereich der Stromnetzspannung liegt, die Sie verwenden möchten.

Wenn der Akku nach Erreichen von 100 % SoC am Ladegerät angeschlossen blieb, wird der Ladevorgang beendet.

Es kann nur durch Aus- und Wiedereinstecken des Ladegeräts wieder aufgenommen werden..

**!** **VORSICHT** – Wenn die rote LED-Leuchte während des Ladevorgangs blinkt, ist ein Ladefehler aufgetreten. Ziehen Sie in diesem Fall sofort das Ladegerät aus der Steckdose, verwenden Sie die Motorstütze nicht mehr und wenden Sie sich an einen autorisierten Greyp-Händler.



## Lebensdauer der Batterie

Das Fahrrad sollte trocken gelagert werden. Wenn Sie beabsichtigen, den Akku länger als ein paar Wochen zu lagern, stellen Sie bitte sicher, dass der SoC (State of Charge) zwischen 30 % und 60 % liegt. Der Akku muss regelmäßig überprüft werden, auch wenn das Fahrrad dies nicht ist verwendet wird, um dauerhafte Schäden an der Batterie zu vermeiden.

Eine stark verkürzte Betriebszeit nach dem Aufladen kann ein Zeichen dafür sein, dass der Akku das Ende seiner Lebensdauer erreicht hat und ausgetauscht werden muss. Vorausgesetzt, Ihr Greyp-Fahrrad wurde ordnungsgemäß verwendet, sollten nach 500 Ladezyklen oder zwei Jahren etwa 80 % der ursprünglichen Kapazität des Akkus vorhanden sein.

Das Aufladen des Akkus dauert ca. 5 Stunden. Es wird empfohlen, mit dem Aufladen nicht zu warten, bis der Akku vollständig entladen ist. Lassen Sie einen vollen oder leeren Akku nicht längere Zeit liegen, da dies die Lebensdauer des Akkus verkürzt. Versuchen Sie, den Akku zwischen 20 % und 80 % zu laden, um die Akkulebensdauer zu verlängern. Wenn Sie wissen, dass Ihre geplante Route kürzer ist und Sie keinen vollen Akku benötigen, empfehlen wir, den Akku auf 80 % statt 100 % des SoC aufzuladen. Auf diese Weise erhalten Sie eine bessere Akkulaufzeit.

Das Schlimmste, was Sie tun können, ist, einen komplett leeren Akku über längere Zeit ungeladen oder einen komplett vollen Akku stehen zu lassen. Dies könnte zu einer verkürzten Batterielebensdauer, einem Brand oder einer dauerhaften Beschädigung des Batteriepacks führen.

Wenn der Akku 16 Tage hintereinander nicht verwendet wurde, senkt er automatisch den SOC (State of Charge) auf 60 %, um optimale Lagerbedingungen zu erreichen. Das Selbstentladungsverfahren wird auch dann durchgeführt, wenn Sie den Akku länger als 16 Tage in einem Ladegerät belassen. Wenn der Akku-SoC unter 60 % fällt, wird er automatisch heruntergefahren.

Stellen Sie sicher, dass Sie das Fahrrad immer ausschalten, wenn Sie es nicht mehr benutzen. Wenn Sie das Fahrrad nicht benutzen für längere Zeit, überprüfen Sie den Akku-SoC einen Tag vor der geplanten Fahrt.



## 4

## Fahrradpflege & Reichweite

### Wartung



**WARNUNG** – Die Nichtbeachtung der Anweisungen in diesem Abschnitt kann zu Schäden, schweren oder tödlichen Verletzungen führen. Wenn Ihr Fahrrad Anzeichen von Schäden aufweist, verwenden Sie es nicht und bringen Sie es sofort zu Ihrem autorisierten Greyp Händler zur Inspektion.

Alle regulären Wartungsarbeiten, Fehlerbehebungen, Reparaturen und der Austausch von Teilen müssen von einem autorisierten Greyp-Händler durchgeführt werden.



**WARNUNG** – Wenn Sie ein Fahrrad mehr belasten als vorgesehen, können das Fahrrad oder seine Teile beschädigt werden oder brechen. Ein beschädigtes Fahrrad könnte Ihre Kontrolle beeinträchtigen und zu einem Sturz führen. Fahren Sie nicht unter Bedingungen, die mehr Belastungen verursachen als die Grenzen des Fahrrads. Wenn Sie sich über die Grenzen des Fahrrads nicht sicher sind, wenden Sie sich an Ihren Fahrradhändler.

Es sollte darauf geachtet werden, Kohlefaser oder Verbundmaterial nicht zu beschädigen. Jede Beschädigung kann zu einem Verlust der strukturellen Integrität führen, was zu einem katastrophalen Versagen führen kann. Dieser Schaden kann bei der Inspektion sichtbar sein oder auch nicht. Vor jeder Fahrt und nach jedem Unfall sollten Sie Ihr Fahrzeug sorgfältig auf Ausfransungen, Furchen, Kratzer im Lack, Absplitterungen, Verbiegungen oder andere Anzeichen von Schäden untersuchen. Wenn es entdeckt wird, fahren Sie nicht weiter und bringen Sie Ihr Greyp-Fahrrad für eine vollständige Inspektion zu einem autorisierten Greyp-Händler.

Die Lebensdauer sowie Art und Häufigkeit der Wartung hängen von vielen Faktoren ab, wie z. B. Häufigkeit und Art der Nutzung, Fahrergewicht, Fahrbedingungen und/oder Stößen. Darüber hinaus verwendet das Greyp-Fahrrad ein motorunterstütztes Antriebssystem, was je nach Komponente mehr Distanz mit unterschiedlichen Raten bedeutet. Besonders die Antriebs- und Bremskomponenten unterliegen einem Verschleiß. Lassen Sie Ihr Fahrzeug und Ihre Komponenten regelmäßig von Ihrem autorisierten Greyp-Händler überprüfen.

Der Kontakt mit rauen Elementen, insbesondere salzhaltiger Luft (z. B. beim Fahren in Meeresnähe oder im Winter), kann zu galvanischer Korrosion von Komponenten führen, was den Verschleiß beschleunigen und die Lebensdauer Ihres Fahrrads verkürzen kann. Auch Schmutz kann den Verschleiß von Oberflächen und Lagern beschleunigen. Die Oberflächen des Fahrrads sollten vor jeder Fahrt gereinigt werden. Die richtige Pflege und regelmäßige



Wartung können dazu beitragen, die Langlebigkeit der Komponenten zu erhöhen. Wenn Sie Anzeichen von Korrosion oder Rissen am Rahmen oder an einer Komponente feststellen, muss der betroffene Artikel ersetzt werden. Achten Sie während der Fahrt auf Knarren, da ein Knarren ein Zeichen für ein Problem mit einer oder mehreren Komponenten sein kann. Untersuchen Sie regelmäßig alle Oberflächen in hellem Sonnenlicht, um nach Kleinigkeiten zu suchen Haarrisse und entdecken Sie auch noch so kleine Beschädigungen an Bauteilen, stellen Sie die Fahrt sofort ein und lassen Sie das Teil von Ihrem Fachhändler überprüfen. Das Fahrzeug sollte außerdem regelmäßig von einem autorisierten Greyp-Händler gewartet, das heißt gereinigt und geschmiert werden. Reinigen und schmieren Sie den Antriebsstrang regelmäßig gemäß den Anweisungen des Antriebsstrangherstellers.

Tragen Sie kein Schmiermittel auf die Scheibenbremsrotoren auf. Schmiermittel auf den Bremsflächen kann die Bremsfunktion beeinträchtigen und die Wahrscheinlichkeit eines Unfalls oder einer Verletzung erhöhen. Wenn Schmiermittel oder andere Flüssigkeiten auf den Brems Scheibenrotor gelangen, entfernen Sie das Laufrad vom Fahrrad und reinigen Sie den Brems Scheibenrotor gründlich. Wenn Sie etwas auf die Bremsbeläge bekommen, ersetzen Sie sie.

Verwenden Sie keinen Hochdruckwasserstrahl direkt auf den Lagern. Sogar Wasser aus einem Gartenschlauch kann die Lagerdichtungen und Kurbelschnittstellen durchdringen, was zu erhöhtem Lager- und Kurbelverschleiß führen kann, was wiederum die normale Funktion der Lager beeinträchtigt. Verwenden Sie zur Reinigung ein sauberes, feuchtes Tuch und Fahrradreiniger. Setzen Sie das Fahrzeug nicht längere Zeit direkter Sonneneinstrahlung oder übermäßiger Hitze aus, z. B. in einem in der Sonne geparkten Auto oder in der Nähe einer Wärmequelle wie einem Heizkörper.

Es ist sehr wichtig, dass Sie für sicherheitskritische Komponenten nur Original-Ersatzteile verwenden.

Fahrradfelgen unterliegen einem Verschleiß. Fragen Sie Ihren Händler nach Felgenverschleiß. Das Fahren mit einem Laufrad, das das Ende seiner Nutzungsdauer erreicht hat, kann zu einem Ausfall des Laufrads führen, was dazu führen kann, dass Sie die Kontrolle verlieren und stürzen.

Lose oder beschädigte Lenkergriffe, Endstopfen oder Verlängerungen sollten ersetzt werden, da sie die Enden des Lenkers freilegen können, die bekanntermaßen Verletzungen verursachen, und dazu führen können, dass Sie die Kontrolle verlieren und stürzen.



**WARNUNG** – Das Fahren mit einem nicht ordnungsgemäß befestigten Laufrad kann dazu führen, dass das Laufrad wackelt oder herunterfällt vom Fahrrad absteigen, was zu schweren oder tödlichen Verletzungen führen kann. Daher ist es wichtig, dass Sie:

1. Bitten Sie Ihren Händler um Hilfe, um sicherzustellen, dass Sie wissen, wie Sie Ihre Räder sicher montieren und entfernen.
2. Verstehen und wenden Sie die richtige Technik zum Festklemmen Ihres Laufrads an.
3. Prüfen Sie vor jeder Fahrt, ob das Laufrad sicher geklemmt ist. 4. Die Klemmwirkung eines korrekt befestigten Rades muss die Oberflächen des Rades prägen Aussetzer.

Die folgenden Teile dürfen nur durch Originalteile ersetzt werden:

- |                                  |                      |
|----------------------------------|----------------------|
| » <i>Rahmen</i>                  | » <i>Bremsen</i>     |
| » <i>Batterie</i>                | » <i>Ladegerät</i>   |
| » <i>Bildschirm</i>              | » <i>Motorblock</i>  |
| » <i>Elektrische Verkabelung</i> | » <i>Steuergerät</i> |
| » <i>Bremsschläuch</i>           | » <i>Sensoren</i>    |

## Bereich

Die Reichweite mit einer Ladung hängt stark von mehreren Umständen ab, wie (aber nicht nur):

- |  |
|--|
| » <i>Wetterbedingungen wie Umgebungstemperatur und Wind;</i> |
| » <i>Straßenbedingungen wie Höhe und Straßenoberfläche;</i>  |
| » <i>Fahrradzustand wie Reifendruck und Wartungszustand;</i> |
| » <i>Fahrradnutzung wie Beschleunigung und Schalten;</i>     |
| » <i>Fahrer- und Gepäckgewicht;</i>                          |
| » <i>Lade- und Entladezyklen.</i>                            |



# 5

## Fahrrad reinigen

**Die meisten Reinigungen können mit Seife, Wasser, Schwämmen und Bürsten durchgeführt werden.**

- » *Vermeiden Sie die Verwendung von Hochdrucksprüheräten, da Wasser durch Dichtungen eindringen kann;*
- » *Vermeiden Sie ätzende Seifen und starke Lösungsmittel – immer Reinigungsmittel verwenden, die für Elektrofahrräder bestimmt sind;*
- » *Bei stark verschmutzten Ketten empfehlen wir die Verwendung eines Kettenreinigers im Lösungsmittelbad.*
- » *Entfernen Sie den Akku, bevor Sie das Fahrrad reinigen.*

### Kette

Nach jeder Wäsche sollte die Kette abgewischt und geschmiert werden. Schmieren Sie nach jeder paar Fahrten leicht. Prüfen Sie alle 400 km [250 mi] auf Kettenlängung. Verwenden Sie ein Kettenlängungsmessgerät, um festzustellen, ob die Kette ausgetauscht werden sollte.

### Gabel

Wischen und reinigen Sie die Gabeln nach jeder Fahrt.

Die richtige Wartung Ihrer Gabel sorgt nicht nur für jahrelanges sorgenfreies Fahren, sondern hält auch die Leistung optimal und verbessert Ihr Erlebnis auf dem Fahrrad. Jedes Wartungsintervall gibt die maximale Anzahl an Fahrstunden an, die für jede Art der empfohlenen Wartung vorgesehen ist. Abhängig vom Gelände und den Umgebungsbedingungen an Ihrem Standort, Ihrem Fahrstil und Ihrem Fahrkönnen erzielen Sie möglicherweise eine bessere Leistung, wenn Sie Ihre Gabel in kürzeren Abständen warten. Konkrete Einzelheiten finden Sie in den Wartungshandbüchern des Federungsherstellers.

## **Schock**

Wischen und reinigen Sie den Dämpfer nach jeder Fahrt.

Die richtige Wartung Ihres Dämpfers gewährleistet nicht nur jahrelanges sorgenfreies Fahren, sondern hält auch die Leistung optimal und verbessert Ihr Erlebnis auf dem Fahrrad. Jedes Wartungsintervall gibt die maximale Anzahl an Fahrstunden an, die für jede Art der empfohlenen Wartung vorgesehen ist. Abhängig vom Gelände und den Umgebungsbedingungen an Ihrem Standort, Ihrem Fahrstil und Ihrem Fahrkönnen sehen Sie möglicherweise Leistung, wenn Sie Ihren in kürzeren Intervallen warten. Spezifische Einzelheiten finden Sie in den Wartungshandbüchern des Federungsherstellers.

Lassen Sie alle Reparaturen nur von einem autorisierten Fahrradhändler durchführen.

## **Schmierung**

Wenden Sie sich an Ihren Händler, um aus den vielen Arten von Kettenschmiermitteln auszuwählen, die für Ihr Klima und Ihre Fahrbedingungen am besten geeignet sind. Schmieren Sie jeden Monat alle Drehpunkte des Schaltwerks sowie an den Schalträdchen.

# 6

## Garantie

---

### Allgemein

Greyp-Produkte wurden von Porsche eBike Performance d.o.o. nach den höchsten Qualitätsstandards hergestellt und getestet. Diese von Porsche eBike Performance d.o.o. deckt Material- oder Verarbeitungsfehler bei neuen Greyp-Produkten ab. Greyp gewährt für dieses Produkt eine Garantie von 24 Monaten nach dem ersten Kauf auf Material- und Verarbeitungsfehler. Greyp ersetzt jedes Produkt oder Teil des Produkts, das sich aufgrund von unsachgemäßer Verarbeitung und/oder Material bei normaler Installation, Verwendung, Wartung und Instandhaltung als defekt erweist. Wenn Greyp keinen Ersatz liefern kann und eine Reparatur nicht praktikabel ist oder nicht rechtzeitig durchgeführt werden kann, kann Greyp den Kaufpreis gegen Rücksendung des Produkts zurückerstatten.

Diese Garantie gilt nur für den ursprünglichen Käufer und ist nicht übertragbar. Diese Garantie gilt nicht für Leih- oder gewerbliche Fahrräder. Nur Verbraucher, die Greyp-Produkte von autorisierten Greyp-Händlern oder -Wiederverkäufern oder über die Greyp-Website kaufen, können von unseren eingeschränkten Garantien abgedeckt werden. Diese Garantie deckt keine Schäden oder Mängel ab, die durch Nichtbeachtung der Anweisungen in der Bedienungsanleitung, Änderungen am ursprünglichen Design, höhere Gewalt, Unfall, Missbrauch, Fahrlässigkeit, Missbrauch, unsachgemäße Montage, Bedienungsfehler, Wasserschäden oder unsachgemäße Befolgung entstehen -Up-Wartung. Greyp schließt ausdrücklich Schäden an Fahrrädern aus, die für Sprünge, Stuntfahrten, Mietprogramme, beobachtete Prüfungen und ähnliche extreme Fahrten oder Veranstaltungen verwendet werden.

Neben- und Folgeschäden sind ebenfalls nicht abgedeckt. Greyp übernimmt zu keinem Zeitpunkt und aus keinem Grund die Kosten für den internationalen Garantiever sand. Diese Garantie ist nach alleinigem Ermessen von Porsche eBike Performance d.o.o. ausdrücklich auf den Ersatz defekter Teile durch gleichwertige oder höherwertige Teile beschränkt.

Die Reparatur, der Ersatz oder die Rückerstattung des Kaufpreises gemäß dieser Garantie ist das ausschließliche Rechtsmittel des Käufers. Porsche eBike Performance d.o.o. übernimmt keine andere Verpflichtung oder Haftung im Zusammenhang mit dieser Garantie und autorisiert auch niemanden dazu. Greyp haftet gegenüber dem Käufer oder einer anderen Person nicht für zufällige, besondere oder Folgeschäden, die sich aus dieser Garantie oder einer stillschweigenden Garantie ergeben, einschließlich, aber nicht beschränkt auf Schäden durch Personenschäden, Sachschäden oder wirtschaftliche Verluste, unabhängig davon, ob sie auf der Vertrag, Gewährleistung, Fahrlässigkeit oder Produkthaftung im Zusammenhang mit ihren Produkten.

Einige Komponenten von Greyp-Rädern unterliegen aufgrund ihrer Funktion einem Verschleiß. Die Rate Der Verschleiß hängt von der Pflege und Wartung sowie der Art und Weise ab, wie das Fahrrad verwendet wird. Fahrräder, die oft sind auch im Freien gelagerte Flächen können durch Witterungseinflüsse einem erhöhten Verschleiß unterliegen. Die folgenden Komponenten müssen regelmäßig gewartet werden. Dennoch erreichen sie je nach Einsatzbedingungen und -intensität früher oder später das Ende ihrer Lebensdauer. Die folgenden Teile, die ihre Verschleißgrenze erreicht haben, müssen ersetzt werden:

- |                                     |                                  |
|-------------------------------------|----------------------------------|
| » <i>Batterie</i>                   | » <i>Bremsschläuche</i>          |
| » <i>Kettenblätter und Kassette</i> | » <i>Schmiermittel</i>           |
| » <i>Antriebskette</i>              | » <i>Dropper-Post-Dichtungen</i> |
| » <i>Naben und freie Naben</i>      | » <i>Aufhängungselemente</i>     |
| » <i>Bremsbelagsatz</i>             | » <i>Räder und Speichen</i>      |
| » <i>Schläuche und Reifen</i>       | » <i>Griffe</i>                  |
| » <i>Bremsflüssigkeit</i>           | » <i>Kabel/Anschlüsse</i>        |
| » <i>Bremsscheibenrotoren</i>       | » <i>Pedale</i>                  |
| » <i>Lager</i>                      |                                  |

## Batterie

Wenn die Batterie während der ersten 24 Monate oder 500 Zyklen (je nachdem, was zuerst eintritt) ab dem ursprünglichen Kaufdatum vollständig ausfällt, wird sie kostenlos ersetzt oder repariert. Lithiumbatterien erfordern Pflege und etwas Wartung, um die Lebenserwartung zu maximieren (bitte lesen Sie das Kapitel Batterielebensdauer). Bei Missbrauch des Akkus erlischt Ihre Garantie.

### Die Garantie erlischt in folgenden Fällen:

- |  |
|--|
| » <i>wenn Schäden durch Überspannung verursacht werden;</i>  |
| » <i>wenn Schäden durch die Verwendung eines ungeeigneten Ladegeräts verursacht wurden;</i>            |
| » <i>wenn Schäden durch unsachgemäße Wartung oder ähnlichen Missbrauch verursacht wurden;</i>          |
| » <i>wenn Schäden durch normale Abnutzung entstanden sind;</i>   |
| » <i>bei Schäden durch Wasserschäden;</i>  |
| » <i>wenn die Batterie unter 0°C [32°F] geladen wird;</i>  |
| » <i>wenn der Akku weniger als 20 % seiner Kapazität hat und in dem Zeitraum nicht aufgeladen wird</i> |

Wenn eine Batterie für die Rücksendung an Greyp entfernt werden muss, liegt es in der Verantwortung des Kunden, die Batterie sicher zu entfernen und auf eigene Kosten an Greyp zu senden. Greyp erstattet dem Kunden in den ersten 24 Monaten des Fahrradbesitzes seine eigenen Arbeits- und Ersatzteile.

Greyp übernimmt die Kosten für die Rücksendung der Batterie an den Kunden. Greyp behält sich das Recht vor, den Akku nach eigenem Ermessen zu reparieren oder auszutauschen. Alle Lithiumbatterien müssen als Gefahrgut der Klasse 9 (HAZMAT) und in Übereinstimmung mit allen lokalen und internationalen Gesetzen versandt werden. Von Greyp verkaufte Lithiumbatterien können und sollten NIEMALS an Bord eines Passagierflugzeugs mitgenommen werden.

## **Rahmen**

Für den Greyp-Rahmen gilt eine 24-monatige Garantie gegen Mängel ab dem ursprünglichen Kaufdatum für den Erstbesitzer. Wenn festgestellt wird, dass ein Rahmen defekt ist, werden EU-Versand, Teile und Arbeitszeit zum Ersetzen des Rahmens von Greyp für die ersten 24 Monate ab dem ursprünglichen Herstellungsdatum bezahlt. Die Kosten für die Reparatur/ den Austausch von Custom-Lackierung sind zu keinem Zeitpunkt in der Rahmengarantie enthalten.

## **Motor**

Der Motor wird für 24 Monate ab dem ursprünglichen Kaufdatum garantiert, um frei von Mängeln zu sein. Im Falle eines Garantieanspruchs, der die Rücksendung des Motors an Greyp erfordert, ist der Kunde für die Demontage und den Versand an Greyp verantwortlich. Greyp zahlt für die Teile, die interne Arbeit und den Rückversand.

## **Elektronik**

Für die Elektronikkomponenten wird eine Garantie von 24 Monaten ab dem ursprünglichen Kaufdatum auf Fehlerfreiheit gewährt. Im Falle eines Garantieanspruchs, der die Rücksendung der Elektronik an Greyp erfordert, ist der Kunde für die Entfernung und den Versand an Greyp verantwortlich. Greyp zahlt für Teile, interne Arbeit und den Rückversand.

## **Bremsen**

Auf die Bremsen wird eine Garantie von 24 Monaten ab dem ursprünglichen Kaufdatum auf Mängelfreiheit gewährt. Der normale Verschleiß der Bremsbeläge und Brems Scheiben ist nicht abgedeckt. Gewährleistungsansprüche auf Komponenten werden gemäß den Richtlinien des Komponentenherstellers geltend gemacht. Im Falle eines Garantieanspruchs, der die Rücksendung der Komponenten an Greyp erfordert, ist der Kunde für die Entfernung und den Versand an Greyp verantwortlich. Greyp zahlt für Teile, interne Arbeit und den Rückversand.

## **Suspension**

Auf die Federelemente wird eine Garantie von 24 Monaten ab dem ursprünglichen Kaufdatum



auf Mängelfreiheit gewährt. Normaler Verschleiß der Aufhängung, wie Ölwechsel und undichte Dichtungen sind nicht abgedeckt. Gewährleistungsansprüche für Komponenten werden gemäß den Richtlinien des Komponentenherstellers geltend gemacht. Im Falle eines Garantieanspruchs, der die Rücksendung der Komponenten an Greyp erfordert, ist der Kunde für die Entfernung und den Versand an Greyp verantwortlich. Greyp zahlt für Teile, interne Arbeit und den Rückversand.

## Antriebsstrang

Der Antriebsstrang umfasst die Ritzel, das Schaltsystem, die Kette und die Räder. Auf Antriebseinheiten wird eine Garantie von 24 Monaten ab dem ursprünglichen Kaufdatum auf Mängelfreiheit gewährt. Normaler Verschleiß des Antriebsstrangs wie Ketten- und Ritzelverschleiß, Reifenpannen, verbogene Räder, Speichen, Naben, Freilaufnaben, Lager und abgefahrene Reifen sind nicht abgedeckt. Gewährleistungsansprüche für Komponenten werden gemäß den Richtlinien des Komponentenherstellers geltend gemacht. Im Falle eines Garantieanspruchs, der die Rücksendung der Komponenten an Greyp erfordert, ist der Kunde für die Entfernung und den Versand an Greyp verantwortlich. Greyp zahlt für Teile, interne Arbeit und den Rückversand.

## So melden Sie einen Anspruch an

Porsche eBike Performance d.o.o. bietet keine Garantieabdeckung, es sei denn, Ansprüche werden in Übereinstimmung mit allen Porsche eBike Performance d.o.o. Die Garantiebedingungen und das ordnungsgemäße Rückgabeverfahren werden nicht befolgt. Um einen Garantieservice anzufordern, muss die Kundendienstabteilung von Greyp kontaktiert werden und die folgenden Informationen müssen klar angegeben werden:

- » *den Kaufbeleg oder andere Belege für Datum und Ort des Kaufs;*
- » *vollständiger Name, Kontaktdaten (einschließlich Telefonnummer und E-Mail-Adresse);*
- » *Baunummer des Fahrrads;*
- » *eine Beschreibung des Problems;*
- » *Bilder oder Videobeweise des Problems;*
- » *Lieferung des Produkts oder des defekten Teils, frankiert und sorgfältig verpackt und versichert, an Porsche eBike Performance d.o.o. oder einem vereinbarten Händler.*

Das Produkt oder defekte Teil muss an Porsche eBike Performance d.o.o. oder einem vereinbarten Händler portofrei und sorgfältig verpackt und versichert. Wenn der Garantieservice abgeschlossen ist, werden alle reparierten oder ersetzten Produkte oder Teile frankiert an den Kunden zurückgeschickt. Porsche eBike Performance d.o.o. behält sich das Recht vor, defekte Komponenten oder Produkte zu untersuchen, um festzustellen, ob eine Reparatur oder ein Austausch erforderlich ist.

Porsche eBike Performance d.o.o., Ljubljanska 7, 10431 Sveta Nedelja, Croatia

# 7

## Verfügung

---

Antriebseinheit, Bordcomputer inkl. Bedieneinheit, Akkupack, Geschwindigkeitssensor, Zubehör und Verpackung sollten umweltgerecht entsorgt werden.

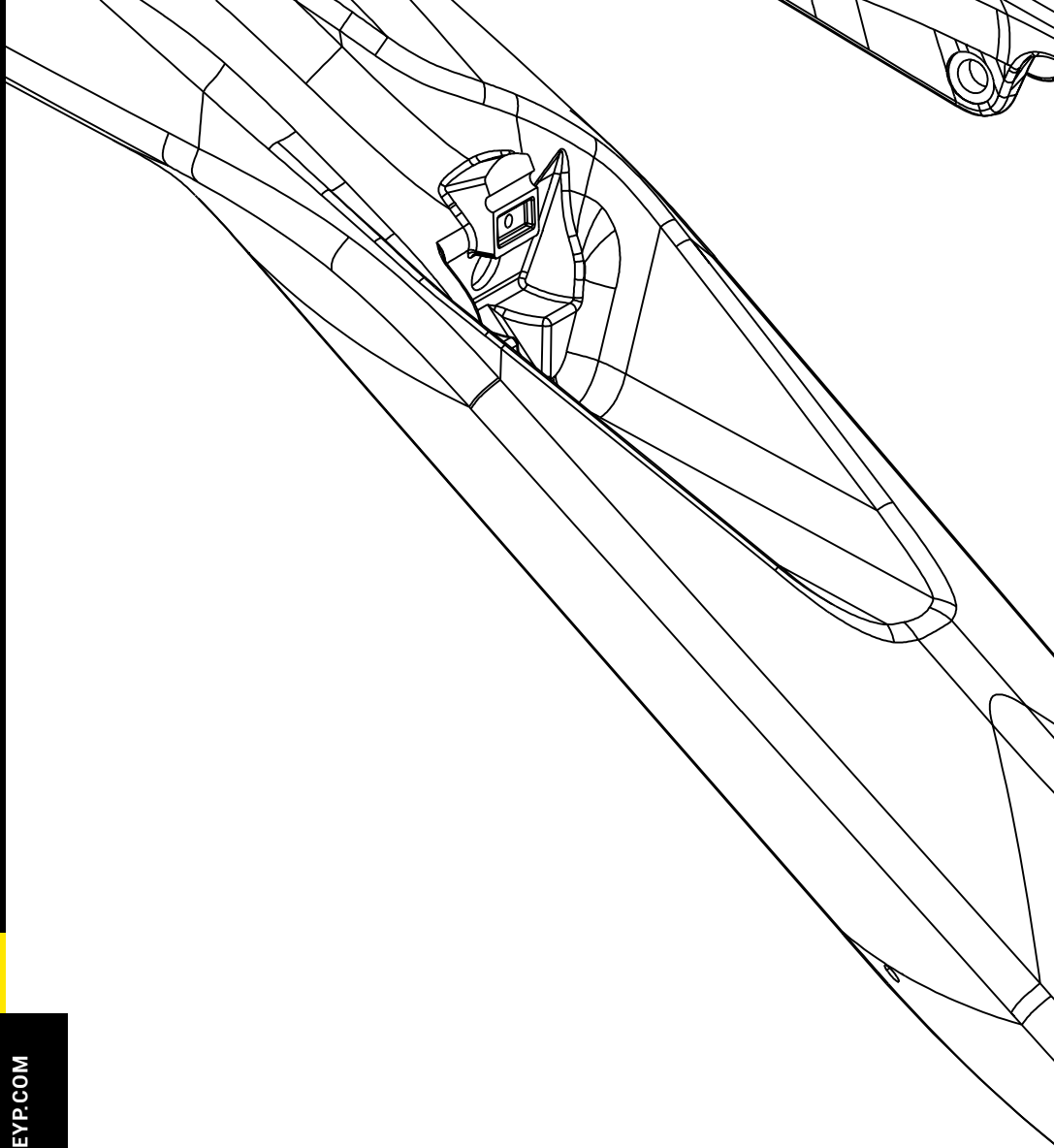
### **Nur für EU-Länder:**

Gemäß Europäischer Richtlinie 2012/19/EU müssen nicht mehr gebrauchsfähige Elektrogeräte/ Werkzeuge und gemäß Europäischer Richtlinie 2006/66/EG defekte oder verbrauchte Akkupacks/ Batterien getrennt gesammelt und einer Entsorgung zugeführt werden umweltgerechter Weise.

Bitte senden Sie die nicht mehr verwendbaren Akkupacks und Bordcomputer an einen zurück autorisierter Fahrradhändler.

Akkus und Ladegeräte dürfen nicht in den Hausmüll! Alle Batterien und Ladegeräte müssen umweltgerecht entsorgt werden, gemäß den Batterie-Entsorgungsvorschriften Ihres Landes oder Bundeslandes. Fragen Sie Ihren autorisierten Greyp-Händler nach Informationen zur Entsorgung eines Akkus oder Ladegeräts und nach anwendbaren Rücknahmeprogrammen.







# MANUALE GENERALE

---

ITALIANO

# Indice

---

<b>1</b>	<b>INTRODUZIONE</b>	<b>81</b>	Ispezioni pre-utilizzo	<b>88</b>	
	Dichiarazione di non responsabilità	<b>81</b>	Uso da parte dei bambini – consigli	<b>88</b>	
	Avvertenze generali	<b>82</b>	Supporto sella – le basi	<b>88</b>	
	Informazioni generali	<b>82</b>	Freni – le basi	<b>89</b>	
	Informazioni sulla sicurezza	<b>83</b>	Sistema del cambio	<b>90</b>	
	Informazioni generali sull'assemblaggio	<b>84</b>	Sospensioni – le basi	<b>90</b>	
			Pressione gomme raccomandata	<b>90</b>	
<b>2</b>	<b>NOTE GENERALI DI UTILIZZO</b>	<b>85</b>	<b>3</b>	<b>BATTERIA E CARICATORE</b>	<b>93</b>
	Portapacchi e cavalletto (se equipaggiati)	<b>86</b>		Dati tecnici batteria	<b>93</b>
	Consigli per l'uso	<b>87</b>		Informazioni importanti sulla batteria	<b>95</b>
				Vita della batteria	<b>99</b>

---

<b>4</b>	<b>MANUTENZIONE &amp; AUTONOMIA</b>	<b>101</b>	Batteria	<b>108</b>	
	Manutenzione	<b>101</b>	Telaio	<b>109</b>	
	Autonomia	<b>103</b>	Motore	<b>109</b>	
			Elettronica	<b>109</b>	
<b>5</b>	<b>PULIZIA DELLA BICI</b>	<b>105</b>	Freni	<b>109</b>	
	Catena	<b>105</b>	Sospensioni	<b>109</b>	
	Forcella	<b>105</b>	Trasmissione	<b>110</b>	
	Molle	<b>106</b>	Come fare un reclamo	<b>110</b>	
	Lubrificazione	<b>106</b>			
<b>6</b>	<b>GARANZIA</b>	<b>107</b>	<b>7</b>	<b>SMALTIMENTO</b>	<b>111</b>
	Generale	<b>107</b>		Solo per nazioni EU	<b>111</b>







## Introduzione

**Le istruzioni originali (manuale utente/istruzioni per l'uso) sono scritte in inglese. Tutte le altre lingue sono traduzioni delle istruzioni originali (manuale utente/istruzioni per l'uso). In caso di controversia, prevale il manuale utente in inglese.**

**Il primo volume è il "MANUALE GENERALE" mentre il secondo è il "MANUALE TECNICO". Se non hai ricevuto nessuno dei due, chiedi al tuo rivenditore di inviarti uno o scaricalo da [www.greyp.com](http://www.greyp.com).**

Questo manuale di istruzioni per l'utente è stato sviluppato solo per la tua bici Greyp. Contiene importanti informazioni tecniche, sulle prestazioni e sulla sicurezza, che dovresti leggere prima del tuo primo giro e conservare come riferimento. Dovresti anche leggere l'intero Manuale utente, perché contiene ulteriori importanti informazioni generali e istruzioni che dovresti seguire.

*Se non si dispone di una copia del Manuale dell'utente, scaricarlo gratuitamente su [www.greyp.com](http://www.greyp.com) o ottenerlo dal rivenditore Greyp autorizzato più vicino. In caso di discrepanza, prevale la versione inglese.*

### Dichiarazione di non responsabilità

Qualsiasi modifica alla bicicletta è severamente vietata e Porsche eBike Performance d.o.o. non si assume alcuna responsabilità per le conseguenze di tali modifiche. Porsche eBike Performance d.o.o. non concede, in modo esplicito o implicito, a nessuna parte alcun diritto di brevetto, licenza o qualsiasi altro diritto di proprietà intellettuale, sia in relazione a tali informazioni stesse sia a quanto descritto da tali informazioni. Le informazioni fornite da Porsche eBike Performance d.o.o. di seguito è fornito così com'è, e l'intero rischio associato a tali informazioni è interamente a carico dell'acquirente. Le informazioni fornite in questo documento sono di proprietà di Porsche eBike Performance d.o.o. e Porsche eBike Performance d.o.o. si riserva il diritto di apportare modifiche alle informazioni contenute nel presente documento o a qualsiasi prodotto e servizio in qualsiasi momento senza preavviso.

Dovresti controllare su [www.greyp.com](http://www.greyp.com) per qualsiasi modifica apportata nel Manuale Utente.



**Porsche eBike Performance d.o.o.,**

Ljubljanska 7, 10431 Sveta Nedelja, Croatia,

December 7<sup>th</sup>, 2022.

## Avvertenze generali

Questo manuale contiene molte "AVVERTENZE" e "PRECAUZIONI" riguardanti le conseguenze della mancata manutenzione o ispezione della bicicletta e del mancato rispetto di pratiche ciclistiche sicure.

La combinazione del simbolo di avviso di sicurezza e della parola AVVERTENZA indica una situazione potenzialmente pericolosa che, se non evitata, potrebbe causare lesioni gravi o mortali.

La combinazione del simbolo di avviso di sicurezza e della parola PRECAUZIONE indica una situazione potenzialmente pericolosa che, se non evitata, può provocare lesioni lievi o moderate oppure è un avviso contro pratiche non sicure.

Molte delle AVVERTENZE e delle PRECAUZIONI dicono che potresti perdere il controllo e cadere. Poiché qualsiasi caduta può causare lesioni gravi o addirittura la morte, non ripetiamo sempre l'avviso di possibili lesioni o morte.

Poiché è impossibile prevedere ogni situazione o condizione che può verificarsi durante la guida, il presente Manuale dell'utente non fornisce alcuna dichiarazione sull'uso sicuro della bicicletta in tutte le condizioni. Esistono rischi associati all'uso di qualsiasi bicicletta che non possono essere previsti o evitati e che sono di esclusiva responsabilità del ciclista.

## Informazioni generali

**Avviso importante:** Assicurati di leggere questo Manuale utente prima di utilizzare una bici Greyp per la prima volta. È molto importante seguire le istruzioni nel manuale per assicurarsi di utilizzare Greyp nel modo corretto. Porsche eBike Performance d.o.o. si riserva il diritto di modificare il design, i componenti e le specifiche in qualsiasi momento senza preavviso e senza alcun obbligo. Le illustrazioni e le immagini in questo manuale sono solo a scopo dimostrativo.



**AVVERTENZA** – Contatta il tuo rivenditore o produttore prima di provare a riparare la tua bici Greyp. Il presente Manuale utente non è inteso come un manuale di assistenza e riparazione.

Le biciclette Greyp sono classificate come pedelec. La bici Greyp è un veicolo in cui la pedalata del ciclista è assistita da un motore elettrico con 5 livelli di assistenza e coppia, che ti offre una gamma di servoassistenza.

Prima di utilizzare la bicicletta Greyp, informarsi su tutti i requisiti e le normative legali applicabili nel proprio paese o stato. Potrebbero esserci restrizioni sull'uso della bici Greyp su strade pubbliche, piste ciclabili e/o sentieri. Potrebbero anche esserci requisiti applicabili per il casco, limiti di età o requisiti di licenza o assicurazione. Poiché le leggi e le normative relative ai veicoli elettrici variano in base al paese e/o allo stato e cambiano costantemente, assicurati di ottenere le informazioni più recenti. Dovresti anche consultare regolarmente il tuo rivenditore Greyp autorizzato per informazioni aggiornate.

Tutte le bici Greyp hanno un limite di velocità preimpostato fisso raggiunto il quale il supporto del motore si spegne automaticamente. La manomissione implica di interferire con la bici al fine di arrecare danni o apportare modifiche non autorizzate (es. escluso il cambio del pignone con parti non originali) Qualsiasi manomissione (o tentativo di) della potenza e/o dell'impianto (es. escluso il cambio del pignone con parti non originali) è proibito, invalida la garanzia, è estremamente pericoloso e potrebbe causare lesioni gravi e/o mortali. In caso di manomissioni consigliamo di interrompere l'uso della bicicletta e di chiamare un rivenditore autorizzato Greyp.

## Informazioni di sicurezza

Si prega di leggere attentamente tutte le avvertenze e le note in questo Manuale dell'utente prima di utilizzare la bicicletta Greyp.



**AVVERTENZA** – Aumenta il rischio di infortunio quando usi la bicicletta in modo errato. Un uso improprio può aggiungere stress alla tua bici. Un forte stress può causare la rottura del telaio o di una parte e aumentare il rischio di infortunio. Per ridurre il rischio di infortunio, utilizzare la bicicletta nel modo per cui è stata progettata.



**AVVERTENZA** – Come per tutti i componenti meccanici, anche l'EPAC (Electrically Power Assisted Cycles) è soggetto ad usura e ad elevate sollecitazioni. Materiali e componenti diversi possono reagire all'usura o alla fatica da stress in modi diversi. Se la durata di progetto di un componente è stata superata, potrebbe improvvisamente guastarsi, causando possibili lesioni al pilota. Qualsiasi forma di crepa, graffio o cambiamento di colorazione in aree fortemente sollecitate indica che la vita utile del componente è stata superata e deve essere sostituito.



**AVVERTENZA** – Per i componenti in composito, i danni da impatto potrebbero essere invisibili e causare gravi lesioni personali o morte. Se i componenti in composito mostrano segni di danneggiamento, non utilizzarli e portarli immediatamente al tuo rivenditore Greyp autorizzato per un controllo.

Il livello di emissione sonora all'orecchio del conducente è minore di 70 dB(A).



**AVVERTENZA** – L'uso improprio di una bicicletta Greyp può causare danni, lesioni e/o morte. Assicurati di imparare a utilizzare la tua bici Greyp in modo sicuro e responsabile.

Le bici Greyp sono destinate al trasporto di una sola persona alla volta. Se consenti a qualcun altro di utilizzare la tua bici Greyp, fornisci loro questo Manuale utente.

Si consiglia di conservare la scatola originale con cui è stata consegnata la bici per il periodo di garanzia in caso di problemi.



**AVVERTENZA** – Ti consigliamo vivamente di indossare un casco e altri dispositivi di sicurezza durante la guida della tua bicicletta. In alcuni paesi è obbligatorio indossare il casco. Si prega di verificare se questo è il caso nel tuo paese.

Guidare solo a temperature ambiente comprese tra 5°C (41°F) e 40°C (104°F).



**AVVERTENZA** – Alcune bici Greyp sono dotate di due coppie di luci, se possibile, usa una singola grande luce a LED bianca montata sulla forcella come luce principale anteriore e una singola grande luce a LED rossa posteriore (con riflettore Z integrato) per la luce principale posteriore.



**AVVERTENZA** – Le luci Greyp (4 LED bianchi sull'unità display - CIM e 4 LED rossi sulla telecamera posteriore- BUTS) sono progettati principalmente come luci ausiliarie e dovresti fare attenzione a usare le luciche siano conformi alle disposizioni in vigore nel paese di utilizzo.



**AVVERTENZA** – I riflettori, che funzionano solo quando la luce li illumina, non sostituiscono le luci. Guidare in condizioni di oscurità o in periodi di scarsa visibilità senza un'illuminazione adeguata è estremamente pericoloso.



**AVVERTENZA** – il funzionamento della telecamera, in quanto dispositivo sensibile, può essere compromesso da una scarica elettrica statica. In questo caso, riavviare la bicicletta.

**AVVERTENZA** – Le biciclette Greyp non sono omologate per seggiolini per bambini, rimorchi per bambini o qualsiasi altro tipo di rimorchio. Non utilizzare seggiolini per bambini o rimorchi per bici sul portapacchi.

## Informazioni generali sull'assemblaggio

Questo Manuale utente non è inteso come una guida esaustiva all'uso, servizio e manutenzione. Rivolgiti al tuo partner autorizzato Greyp per tutti gli interventi di assistenza, riparazione o manutenzione.



**AVVERTENZA** – Non alterare o modificare alcuna parte della tua bici Greyp. Non installare componenti o attrezzi non compatibili.

# 2

## Note generali di utilizzo

Il motore fornisce assistenza alla pedalata durante la pedalata e quando la bici è in movimento. La quantità di pedalata assistita sarà maggiore o minore a seconda della quantità di forza applicata ai pedali. Se smetti di pedalare, il motore smetterà di fornire assistenza. La bici Greyp può essere utilizzata anche come una normale bicicletta senza assistenza motoria portando il veicolo in modalità OFF. Lo stesso vale se la batteria è scarica.

Le bici Greyp hanno una modalità walk-assist (il motore si innesta senza che venga applicata forza sul pedale) che è progettato per fornire assistenza quando si cammina con il veicolo in salita.

La bici dovrà essere sottoposta alla prima manutenzione dopo circa 100 chilometri o 62 miglia, o da 3 a 6 settimane. La fase di rodaggio in genere comporta la perdita di tensione dei raggi, la perdita di tensione dei bulloni, l'allungamento dei cavi, la cattiva regolazione degli ingranaggi e il rodaggio dei cuscinetti, quindi ci sono tutte le ragioni per far riparare la bici dal rivenditore in questa fase. Questo processo di usura è inevitabile. Pertanto, fissa un appuntamento con il tuo rivenditore Greyp o con il servizio biciclette locale per una prima ispezione della tua nuova bici. Il primo controllo è molto importante per il funzionamento e la durata della tua bici.

Si consiglia di far eseguire regolarmente la manutenzione della bicicletta dopo la fase di rodaggio. Il programma riportato nel manuale tecnico è una guida approssimativa per i ciclisti che percorrono con la bicicletta tra i 1.000 e i 2.000 km all'anno. Se guidi costantemente di più o se guidi molto su fondi stradali sconnessi, i periodi di manutenzione si accorceranno rispettivamente.



**AVVERTENZA** – L'uso corretto della bici comprende la regolare manutenzione e la sostituzione delle parti usurate per tempo, quindi ciò ha una influenza sulla garanzia.



**AVVERTENZA** – È vietato installare un seggiolino per bambini sul manubrio del portapacchi, sul reggisella, sul tubo orizzontale del telaio, sul tubo sterzo del telaio o in qualsiasi altro luogo non predisposto per l'installazione di un seggiolino per bambini. La mancata osservanza di queste istruzioni può causare gravi danni alla bicicletta, lesioni o morte.

## Portapacchi e cavalletto (se equipaggiati)

Un portapacchi è un accessorio che serve a trasportare un bagaglio. Esiste una gran varietà di accessori intesi allo scopo, come cestini o borse che si agganciano all'area portapacchi.



**AVVERTENZA** – Non applicare alcuna modifica al portapacchi.



**AVVERTENZA** – Un bagaglio può essere trasportato in sicurezza solo sul portapacchi.



**AVVERTENZA** – Quando vi è un carico sul portapacchi, la bici può comportarsi in maniera differente, per esempio può richiedere spazi di frenata più lunghi, la stabilità può essere compromessa e la capacità di girata può essere inferiore.



**AVVERTENZA** – Assicurati che tutti i bagagli montati sul portapacchi siano fissati saldamente e che non ci siano cinghie allentate che possono entrare nella ruota. Assicurarsi sempre che le cinghie o i cavi di tensionamento non possano entrare nelle parti mobili, ad es. la ruota posteriore rotante della pedivella.

Quando carichi la bicicletta, assicurati che i riflettori o le luci continuino a essere visibili. Consigliamo di distribuire il bagaglio in modo uniforme tra entrambi i lati del portapacchi.

Per le dimensioni massime consentite della ruota e del pneumatico per il portapacchi sulla bici Greyp, verificare la scheda del manuale tecnico alla voce "Ricambi appropriati: pneumatico anteriore e posteriore".

Il limite di carico massimo del portapacchi è di 25 kg. Non sovraccaricare il portapacchi. Caricare il portapacchi in modo uniforme. Assicurarsi che il bagaglio sia adeguatamente fissato per evitare che cada.

Alcune bici Greyp sono dotate di cavalletto. Un cavalletto è un dispositivo per parcheggiare la bicicletta in posizione verticale dopo l'uso.



**AVVERTENZA** – Assicurarsi che non ci sia peso aggiuntivo sulla bicicletta quando si utilizza il cavalletto, poiché il superamento del limite di carico può causare la caduta della bicicletta e causare gravi danni o lesioni.

## Consigli per l'uso

Alcuni consigli che potrebbero ridurre l'usura dei componenti e aumentare l'autonomia.

- » *Presta attenzione alla tua velocità in entrata di curva e assicurati di smettere di pedalare prima di entrare in curva. Altrimenti potresti avere troppa velocità quando entri in curva;*
- » *Guida efficientemente e guarda avanti. Ogni volta che viene applicata una forza frenante, è necessaria più energia per riportare il veicolo alla velocità precedente;*
- » *Cambiare marcia regolarmente per rimanere in una cadenza ottimale e scalare prima di fermarsi;*
- » *Ridurre la forza sul pedale prima di iniziare un cambio marcia per ridurre l'usura della trasmissione;*
- » *Controllare regolarmente la pressione degli pneumatici. Una pressione troppo bassa può diminuire l'efficienza degli pneumatici;*
- » *Se il veicolo è esposto a condizioni climatiche più fredde, conservare la batteria al chiuso fino a poco prima dell'utilizzo;*
- » *Non esporre il veicolo a calore eccessivo;*
- » *Trasportate solo il carico di cui avete bisogno. Un carico eccessivo richiede più energia per muoversi.*



**AVVERTENZA** — Cambiare marcia impropriamente può causare un blocco alla catena e quindi una possibile caduta.

Cambia solo una marcia alla volta. Quando si cambia marcia, assicurarsi di rilasciare la pressione sul pedale e di pedalare leggermente per l'intera durata. Cambiare marcia sotto sforzo o cambiare più marce contemporaneamente può causare un'usura prematura e danni alla trasmissione.

## Ispezioni pre-utilizzo

- » *Prima del primo giro, caricare la batteria al 100%;*
- » *Verificare che le leve di sgancio rapido o i dadi dell'asse siano ben serrati;*
- » *Controllare l'usura eccessiva o irregolare delle pastiglie dei freni;*
- » *Assicurarsi che tutti i bulloni dei freni e degli organi dello sterzo siano serrati;*
- » *Gira i cerchioni – controlla le oscillazioni;*
- » *Controllare la pressione degli pneumatici;*
- » *Controllare se gli pneumatici sono usurati, screpolati o graffiati;*
- » *Verificare che le marce cambino senza intoppi;*
- » *Controllare che la catena non presenti ruggine, sporco, maglie rigide o evidenti segni di usura (la catena deve essere pulita e lubrificata, assicurarsi di utilizzare un misuratore di allungamento catena);*



**AVVERTENZA** – Essere consapevoli dell'ambiente circostante può ridurre drasticamente gli incidenti. Se sei sulla strada presta attenzione al traffico e alle condizioni della strada. In condizioni di fuoristrada potrebbe esserci meno attrito tra le gomme e il terreno e ciò può farti perdere il controllo e causare un incidente.



**PRECAUZIONE** – Il tuo campo visivo è particolarmente corto, anzi molto corto, quando guidi di notte. Gli ostacoli sono più difficili da vedere di notte. Usa la massima cautela, rallenta per compensare il tempo di reazione molto più breve e guida a una velocità adeguata al tuo campo visivo e all'ambiente circostante.

## Uso da parte dei bambini - Consigli

Le biciclette Greyp sono progettate e testate per l'uso da parte di una sola persona alla volta. Le biciclette Greyp non sono destinate a bambini di età inferiore a 16 anni. Non consentire ai minori di 16 anni di guidare una bicicletta Greyp.

## Supporto sella – le basi



**AVVERTENZA** – Assicurarsi che la posizione del sedile sia regolata in modo tale che i piedi di un pilota seduto possano toccare il suolo. Se la tua bicicletta non si adatta correttamente, potresti perdere il controllo e cadere.

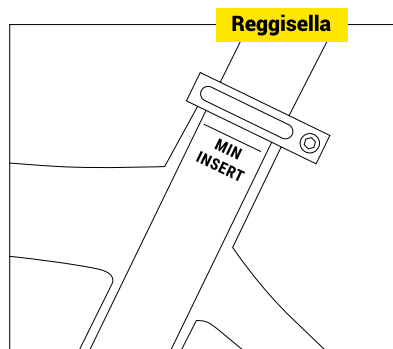


**AVVERTENZA** – Dopo ogni regolazione della sella, assicurarsi che il meccanismo di regolazione della sella sia posizionato correttamente e serrato prima di mettersi alla guida. Un morsetto della sella o del reggisella allentato può causare danni al reggisella o può farti perdere il controllo e cadere. Usa la punta del pollice per premere la leva. Un meccanismo di regolazione della



sella correttamente serrato non consentirà alcun movimento della sella in nessuna direzione. Controllare periodicamente per assicurarsi che il meccanismo di regolazione della sella sia serrato correttamente.

Alcune bici Greyp hanno un reggisella telescopico. Familiarizzare con le caratteristiche del reggisella prima del primo giro. Azionare il sedile telescopico solo se non distoglie l'attenzione dalla strada e dal terreno. La maggior parte delle biciclette Greyp con reggisella telescopico hanno informazioni dal produttore del reggisella telescopico (consultare il manuale tecnico) ([www.kssuspension.com](http://www.kssuspension.com)). Un reggisella telescopico permette di regolare l'altezza della sella azionando una leva sotto la sella o un telecomando sul manubrio, sia da fermo che durante la guida.



Per abbassare la sella, appesantire la sella con la mano o sedersi tenendo premuta la leva di azionamento.

Per alzare la sella, azionare il reggisella tirando la leva o premendo il telecomando del manubrio. Alzeggire la sella e rilasciare la leva quando si raggiunge l'altezza desiderata.

Puoi alzare e abbassare la sella in qualsiasi posizione desiderata all'interno della corsa del reggisella.

L'altezza della sella si misura sempre con la pedivella rivolta verso il basso e in linea con il tubo sella. La distanza dal centro dell'asse del pedale alla parte superiore della sella è l'altezza della sella. Prima di cambiare l'altezza della tua sella, dovresti misurare l'altezza della tua sella attuale.

Tutti i modelli di reggisella devono essere inseriti nel tubo sella della bici per coprire la linea di inserimento minima indicata sul reggisella. Un inserimento insufficiente del reggisella nel tubo sella del telaio della bicicletta potrebbe causare danni al reggisella e/o al veicolo e potrebbe causare la perdita di controllo, che potrebbe causare lesioni gravi o mortali.

## Freni – le basi



**AVVERTENZA** – I dispositivi di frenata sulle bici Greyp sono un prodotto ad alte prestazioni, offrendo una potenza frenante maggiore rispetto alle bici normali. Di conseguenza, è necessario uno sforzo minore per bloccare la ruota in frenata. Fare attenzione, poiché una ruota bloccata può causare la perdita di controllo del veicolo e causare lesioni. I freni sono essenziali per l'uso sicuro di un veicolo: un'impostazione e un uso impropri dei freni possono far perdere il controllo e causare un incidente, con conseguenze imprevedibili e/o lesioni potenzialmente gravi. I freni a disco diventano MOLTO caldi quando vengono utilizzati. Di solito la leva sinistra aziona il freno anteriore e la leva destra aziona il freno posteriore (questo può variare a seconda del paese).



**PRECAUZIONE** – NON toccare MAI la pinza o il rotore subito dopo l'uso. Assicurarsi che i freni si siano raffreddati prima di intervenire su di essi.

I dischi freno devono essere installati su ruote adatte a questo tipo di impianto frenante. Una ruota con sezione dei raggi insufficiente o con raggiatura radiale può rompersi durante il normale utilizzo dell'impianto frenante e causare lesioni gravi, incidenti o morte. Verificare con il produttore della ruota PRIMA dell'installazione per garantire la compatibilità.

Controllare frequentemente la tensione e le condizioni dei raggi. Un raggio danneggiato può rompersi improvvisamente e interferire con l'impianto frenante. Ciò può causare gravi lesioni personali, incidenti o morte.



**AVVERTENZA** – Prima di ogni utilizzo, assicurarsi che non vi siano perdite di fluido nell'impianto applicando la leva e tenendola premuta fino in fondo. Controllare i collegamenti dei tubi flessibili e il serbatoio del liquido dei freni per eventuali perdite. Consultare un meccanico professionista in caso di perdite di fluido. Una perdita di fluido può causare gravi incidenti o la morte.



**PRECAUZIONE** – Gli spazi di frenata possono essere maggiori in caso di pioggia e l'uso improprio dei freni può farti perdere il controllo, cadere e causare un incidente.

Metti alla prova i freni e la tua tecnica di frenata su terreni pianeggianti e pianeggianti prima di utilizzare la bici condizioni più difficili.

Puoi trovare maggiori informazioni sui freni Formula Cura su [www.rideformula.com](http://www.rideformula.com)

## Sistema del cambio

Se non è possibile cambiare marcia in modo pulito, è necessario apportare modifiche al sistema di ingranaggi sull'alloggiamento del cambio. Svitare gradualmente con le dita il registro sulla scatola della leva del cambio e controllare il funzionamento degli ingranaggi dopo ogni giro.

In alcuni sistemi, per poter ruotare il registro, è necessario estrarlo leggermente dalla posizione. Assicurarsi che sia di nuovo in posizione prima di controllare il funzionamento degli ingranaggi. Se non è possibile regolare il cambio marcia con questo metodo, il sistema deve essere controllato da un meccanico professionista di biciclette.

## Sospensioni – le basi



**AVVERTENZA** – I componenti installati impropriamente, sottoposti a manutenzione erranea o regolati in modo improprio sono estremamente pericolosi e possono causare lesioni gravi e/o mortali. In caso di domande sull'installazione di questi componenti, consultare un meccanico di biciclette qualificato.

## Pressione gomme raccomandata

La pressione degli pneumatici è un fattore importante per guidare correttamente la bicicletta. Se la pressione dello pneumatico è troppo alta, il pneumatico non si conformerà al suolo, riducendo la trazione. È importante avere un manometro preciso quando si imposta la pressione degli pneumatici; preferibilmente un manometro digitale con una precisione di 0,03 [bar] (0,5 [psi]).

La pressione degli pneumatici consigliata varia leggermente in base al peso del ciclista, allo stile di guida e al terreno. Alcuni ciclisti potrebbero trovare utile iniziare una giro a una pressione leggermente superiore a quella consigliata e far uscire un po' d'aria durante la corsa finché non trovano la pressione ideale per gli pneumatici di guida.

***Per la pressione massima controllare il manuale tecnico.***



**AVVERTENZA** — Se i valori di pressione massima in questo manuale e i valori sulla parete laterale di uno pneumatico sono in qualche modo diversi, fare riferimento a quelli che sono segnati sulla parete laterale o sulla ruota dello pneumatico (comunque il più basso). Non gonfiare mai uno pneumatico oltre la pressione massima indicata sul fianco dello pneumatico. Il superamento della pressione massima consigliata può far saltare lo pneumatico dal cerchio, causando danni alla bicicletta e lesioni al ciclista e/o agli astanti.

È possibile trovare la pressione minima consigliata per i pneumatici sulla parete laterale del pneumatico. Non gonfiare mai il pneumatico al di sotto della pressione minima consigliata. Se la pressione del pneumatico è troppo bassa, il pneumatico potrebbe schiacciarsi a terra e causare la perdita di controllo.



# 3

## Batteria e caricatore

La tua bici è alimentata da una batteria agli ioni di litio (Li-ion). Attenersi sempre alle seguenti istruzioni quando si maneggia o si carica la batteria o quando si utilizza la bicicletta Greyp. Utilizzare la batteria Greyp solo con la bici Greyp corrispondente. Non utilizzare la batteria Greyp con altri prodotti o qualsiasi altra batteria con la bici Greyp, anche se compatibile.

Spegnere la bici, scollegare il caricabatteria dalla bici e rimuovere la batteria dalla bici prima di eseguire lavori di qualsiasi tipo, come installazione, manutenzione, pulizia e/o riparazione. Quando trasporti o maneggi la batteria separatamente dalla tua bici Greyp, assicurati che la batteria sia spenta (puoi farlo collegando la batteria alla bici e se la bici non si accende da sola significa che la batteria è spenta). Toccare i contatti quando la batteria è accesa può causare scosse elettriche e/o lesioni.

Prima di utilizzare la bicicletta, assicurarsi che la batteria sia fissata correttamente al telaio.

Non modificare, aprire o smontare la batteria o il caricabatteria, poiché la modifica o lo smontaggio potrebbe causare scosse elettriche, incendi o malfunzionamenti.

Prestare attenzione quando si maneggia la batteria e non lasciarla cadere. Tenere la batteria fuori dalla portata di bambini e animali.

### Dati tecnici batteria

#### INFORMAZIONI SUL PACCO BATTERIA GREYP

**PRODUTTORE:** PORSCHE EBIKE PERFORMANCE D.O.O.

**MODELLO/TIPO:** G6-02

**PESO:** 3.5 Kg

**DESIGNAZIONE BATTERIA:** 10INR19/66-6

**CONFIGURAZIONE CELLE:** 10S6P

**CAPACITA' (Ah):** 19.3 Ah

**ENERGIA (Wh):** 700 Wh

**INFORMAZIONI SUL PACCO BATTERIA GREYP G6**

<b>COMUNICAZIONE:</b>	CAN
<b>CONDIZIONI AMBIENTALI DI UTILIZZO:</b>	INDOOR AND OUTDOOR, -20~50 °C [-4~122°F]
<b>RAFFREDDAMENTO:</b>	CONVEZIONE NATURALE
<b>CARICAMENTO</b>	TRA 0-40°C [32~104°F]
<b>PROTEZIONE:</b>	<p>TIPO DI PROTEZIONE: FUSE/ CELL CHRГ TEMP, DISCHRG TEMP/ CELL VOLTAGE</p> <p>RATING DI PROTEZIONE: 40 A/ 0°C [32°F] A 55°C [131°F], -20°C [-4°F] A 60°C [140°F] / 2.5 A 4.19 VOLTS</p> <p>PROTEZIONE SOVRACCARICO: 30 A, 5 S</p> <p>PROTEZIONE CORTO CIRCUITO: 150 A</p>
<b>ALTRE INFORMAZIONI:</b>	<p>INFORMAZIONE CELLA: LG INR18650-MJ1, LI-ION, 3.63V, 3500MAH</p> <p>CONNETTORE OUTPUT: ROPD TYPE, AUTOMOTIVE, 48V, 30A, UV RESISTANT</p>
<b>METODO DI CARICA:</b>	CC/CV
<b>I CARICA MAX:</b>	9.0 A
<b>I CARICA:</b>	4.0 A (OPTIONAL: 8.0 A)
<b>I SCARICA:</b>	20.0 A CONTINUO
<b>U CARICA MAX:</b>	42.0 V
<b>U CARICA NOM:</b>	36.3 V
<b>U FINE SCARICA:</b>	25.0 V
<b>U FINE CARICA:</b>	41.9 V
<b>CERTIFICAZIONE:</b>	UN 38.3 (6TH ED.)



## Informazioni importanti sulla batteria

**AVVERTENZA** – La mancata osservanza delle istruzioni in questa sezione può causare danni ai componenti elettrici della bicicletta e invalidare la garanzia, ma soprattutto può provocare incendi, ustioni chimiche, perdite di elettroliti e/o gravi lesioni personali o morte. Se la batteria o il caricabatterie mostrano segni di danneggiamento, non utilizzarli e portarli immediatamente al rivenditore Greyp autorizzato per un controllo.

Il connettore utilizzato per batteria e caricabatteria è magnetizzato (RoPD) e può attirare oggetti metallici. Evitare che viti o altri oggetti piccoli, appuntiti e/o metallici entrino in contatto con il connettore della batteria, la presa di ricarica della bicicletta o il connettore del caricabatterie.

Quando si ripone, si trasporta o si pulisce la bicicletta e/o la batteria, utilizzare sempre i cappucci in plastica dei connettori in dotazione.

Le batterie agli ioni di litio sono estremamente sensibili alle alte temperature e sono intrinsecamente infiammabili. I pacchi batteria agli ioni di litio tendono a degradarsi molto più velocemente di quanto farebbero normalmente a causa del calore. Se un evento provoca l'accensione della batteria, utilizzare solo un estintore di classe – D (non usare acqua), non inalare i fumi e chiamare immediatamente i vigili del fuoco.

Se una batteria agli ioni di litio si guasta, prenderà fuoco e potrebbe causare esplosioni e danni diffusi. Quando le batterie agli ioni di litio vengono accese, il fuoco si diffonde rapidamente e brucia con un calore intenso. Il fumo del fuoco della batteria agli ioni di litio è tossico.

Conservare la batteria in un luogo fresco, asciutto, sicuro e isolato, lontano da oggetti infiammabili.

La ricarica di una batteria agli ioni di litio deve sempre tenere un'area sicura, isolata e ventilata da qualsiasi oggetto infiammabile e sotto supervisione. Quando la batteria è carica, scollegarla immediatamente dal caricabatterie. Lasciare la batteria su un caricabatterie può causarne il guasto. Non lasciare una batteria carica su un caricabatterie.

Non caricare mai la batteria vicino a materiali o oggetti infiammabili. Inoltre, non caricare la batteria in luoghi dove sono previste temperature elevate o luce solare. Poiché il calore è generato dal processo di ricarica stesso, non coprire mai la batteria durante la ricarica.

Prima di collegare la batteria o il caricabatterie, controllare sempre che il connettore della batteria, la presa di ricarica della bicicletta e il connettore del caricabatterie non presentino danni o corpi estranei. In caso di danni non collegare la batteria o il caricabatteria e contattare il rivenditore Greyp autorizzato. In caso di un oggetto estraneo, rimuoverlo in sicurezza con materiale non conduttivo prima di collegare la batteria alla bicicletta Greyp.

Non lasciare una batteria piena o scarica per nessun periodo di tempo. Lasciare una batteria carica può causare danni interni alla batteria che possono prendere fuoco e causare danni diffusi. Tenere la batteria lontana da oggetti metallici o qualsiasi materiale conduttivo, poiché possono causare un cortocircuito.

Non lasciare che la batteria si surriscaldi. Non lasciare la batteria esposta a una fonte di calore o in un luogo ad alta temperatura, ad esempio al sole in un veicolo incustodito. Per prevenire la possibilità di danni, conservare la batteria al riparo dalla luce solare diretta. Non esporre la batteria a fuoco, calore del radiatore, esplosione o altri pericoli. Ogni volta che si stacca la batteria dalla bici, mettere il cappuccio di plastica del connettore sul connettore della batteria per evitare che la batteria si danneggi.



Quando si conserva, trasporta o pulisce la bici e/o la batteria, usare sempre i cappucci forniti.



Non immergere la batteria in acqua. Non spruzzare acqua sulla batteria, sul caricatore o sui connettori. Se noti che l'acqua potrebbe essere entrata nella batteria, spostala lentamente in un'area ignifuga e isolata, lontana da qualsiasi cosa infiammabile, e contatta Greyp o un rivenditore di biciclette autorizzato.

In caso di collegamento inadeguato tra i connettori del caricabatteria e il connettore della batteria o la presa di carica potrebbero esserci problemi di funzionamento ed è una situazione potenzialmente pericolosa. In questo caso è necessario scollegare il connettore del caricabatterie e la batteria e verificare cosa ha causato il collegamento inadeguato.

Non utilizzare una batteria che presenti segni di danneggiamento (involucro cavo, coperchio rotto, connettore rotto, connettore danneggiato) o che presenti perdite di liquidi. Spostare lentamente la batteria in un'area isolata e sicura per il fuoco, lontana da qualsiasi cosa infiammabile e contattare Greyp o un rivenditore di biciclette autorizzato. Il liquido della batteria può causare irritazioni e ustioni alla pelle. In caso di danni provocati dal contatto con la pelle o gli occhi con qualsiasi liquido della batteria, sciacquare immediatamente con acqua e rivolgersi a un medico.

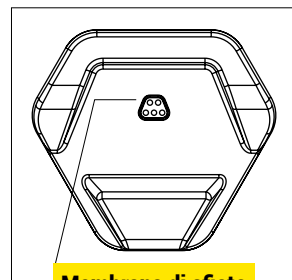
La batteria è pesante. Fai attenzione quando lo maneggi e non farla cadere. Se subisce una forza esterna eccessiva (ad esempio: far cadere la batteria, urtarla con un oggetto duro), portare immediatamente la batteria in un luogo sicuro per il fuoco e contattare Greyp o un rivenditore di biciclette autorizzato, poiché ciò può causare un cortocircuito interno - che può causare un evento termico incontrollato e causare l'incendio della batteria. Se vedete/osservate danni o qualcosa di insolito sulla batteria (es. ammaccatura, foro o rottura della batteria o del tubo, fumo, odore, rumore, calore), spegnete immediatamente la bici, scollegate la bici o la batteria dalla fonte di alimentazione (se collegata) e spostare lentamente la bicicletta/la batteria in un'area ignifuga, isolata, lontana da qualsiasi cosa infiammabile, e contattare Greyp o un rivenditore di biciclette autorizzato. Se puoi farlo, rimuovi in sicurezza la batteria dalla bici. Utilizzare guanti antincendio per evitare di toccare la batteria con la pelle nuda.

Non collegare il connettore della batteria, la presa di ricarica della bici o il connettore del caricabatterie se è bagnato. È possibile utilizzare un panno asciutto per asciugare il connettore della batteria, la presa di ricarica della bicicletta o il connettore del caricabatterie. È importante seguire le istruzioni sull'etichetta del caricabatteria e utilizzare sempre un caricabatteria Greyp appropriato.

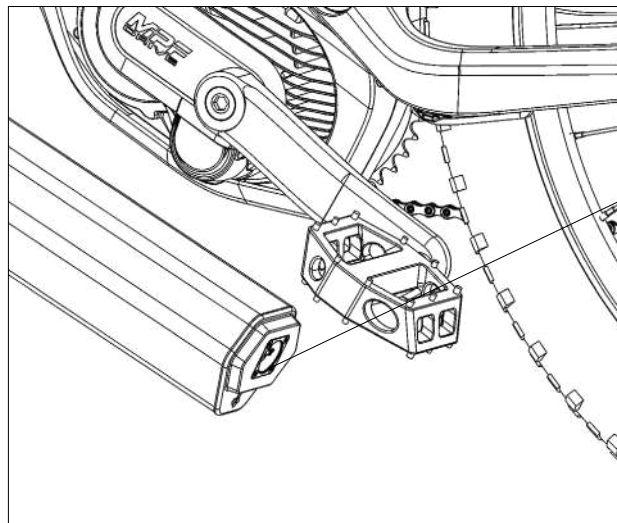
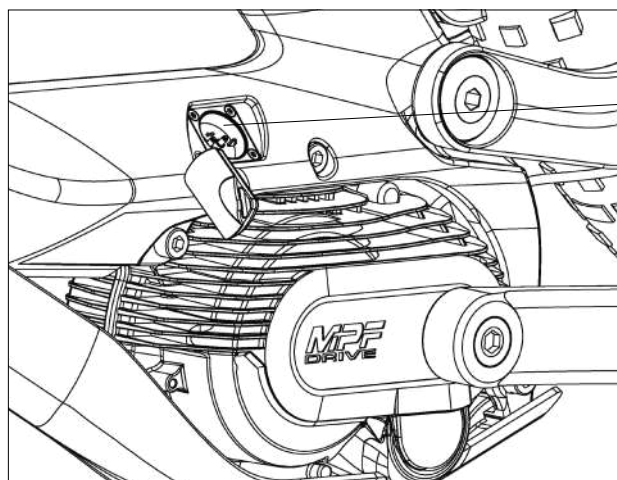
La batteria può essere caricata indipendentemente dal fatto che sia installata nella bici o meno. Fare riferimento alle istruzioni appropriate per la rimozione e l'installazione della batteria. Caricare la batteria solo a una temperatura ambiente compresa tra 0°C e 40°C (32°F e 104°F). Se le temperature esterne sono troppo alte o troppo basse, caricare la batteria interna. Per motivi di sicurezza, se la batteria è troppo calda o troppo fredda, non si ricarica.

Non coprire mai la membrana di sfiato. La copertura della membrana di sfiato può causare il surriscaldamento della batteria che può causare un evento termico incontrollato e causare l'incendio della batteria.

Non inserire nulla nelle aperture della membrana di sfiato sul coperchio della batteria. Se lo sporco è bloccato nelle aperture della membrana di sfiato, utilizzare una spazzola morbida per pulirlo. Se noti delle forature sulla membrana di sfiato, smetti immediatamente di usare la batteria e contatta Greyp o un rivenditore di biciclette autorizzato.





**SULLA BATTERIA****Preso di caricamento****SULLA BICI****Preso di caricamento**

Collegare la spina del caricabatterie a una presa CA appropriata (a seconda del caricabatterie) utilizzando la spina/l'adattatore appropriato per lo standard del proprio paese.

Scopri la presa di ricarica sulla bici, quindi collega il caricabatterie alla presa di ricarica sulla bici. È possibile caricare la batteria una volta rimossa dalla bici. In tal caso, collegare il caricabatterie alla presa della batteria.

Durante il processo di ricarica, la spia sul caricatore si illumina di rosso. Quando la batteria è completamente carica, la spia sul caricabatterie diventa verde. Durante il monitoraggio del processo di ricarica, controllare la luce LED sul caricatore.

Al termine della ricarica, scollegare la spina di ricarica dalla presa della batteria. Scollegare il caricabatterie dalla presa a muro.

Assicurati che la tensione di ingresso del caricabatterie rientri nell'intervallo della tensione della rete elettrica che intendi utilizzare.

Se la batteria è stata lasciata collegata al caricabatterie dopo aver raggiunto il 100% di SoC, la carica si interrompe. Può essere ripristinata solo scollegando e ricollegando il caricabatterie.

**!** **PRECAUZIONE** – Se la spia LED rossa lampeggia durante il processo di ricarica, si è verificato un errore di ricarica. In tal caso, rimuovere immediatamente il caricabatteria dalla presa, interrompere l'uso del supporto motore e contattare un rivenditore autorizzato Greyp.



#### CHARGER 1

Model: BC222360040

Input: 100-240 V AC, 2.5 A (max), 50/60 Hz

Output (max): 42 V DC, 4 A

Indicatore LED



#### CHARGER2 (EU ONLY)

Model: STC-8150LC

Input: 220-240 V AC, 50/60 Hz, 180 W

Output (nom): 36 V DC, 4 A

Indicatore LED

## Vita della batteria

La bicicletta deve essere conservata in condizioni asciutte. Se prevedi di conservare la batteria per un periodo superiore a qualche settimana, assicurati che il SoC (State of Charge) sia compreso tra il 30% e il 60%. È necessario controllare frequentemente la batteria, anche se la bici non è in uso, per evitare danni permanenti alla batteria.

Il tempo di funzionamento notevolmente ridotto dopo la ricarica può essere un segno che la batteria sta raggiungendo la fine della sua vita utile e deve essere sostituita. A condizione che la tua bici Greyp sia stata utilizzata correttamente, circa l'80% della capacità originale della batteria dovrebbe rimanere dopo 500 cicli di ricarica o due anni.

La ricarica della batteria richiede circa 5 ore. Si consiglia di non attendere che la batteria si scarichi completamente prima di ricaricarla. Non lasciare una batteria carica o scarica per un periodo di tempo più lungo, poiché ciò ridurrà la durata della batteria. Cerca di mantenere la batteria tra il 20% e l'80% per prolungare la durata della batteria. Se sai che il tuo percorso pianificato è più breve e non hai bisogno di una batteria completamente carica, ti consigliamo di caricare la batteria fino all'80% di SoC anziché al 100%. In questo modo manterrai una migliore durata della batteria.

La cosa peggiore che puoi fare è lasciare una batteria completamente scarica o una batteria completamente carica per un periodo di tempo più lungo. Ciò potrebbe comportare una riduzione della durata della batteria, incendi o danni permanenti al pacco batteria.

Se la batteria non è stata utilizzata per 16 giorni consecutivi, abbasserà automaticamente il SOC (Stato di carica) al 60%, per raggiungere condizioni di conservazione ottimali. La procedura di autoscarica verrà eseguita anche se si lascia la batteria in carica per più di 16 giorni. Se il SoC della batteria scende al di sotto del 60%, si spegnerà automaticamente.

Assicurati di spegnere sempre la bici quando finisci di usarla. Se non stai usando la bici per un periodo più lungo, controlla il SoC della batteria un giorno prima della corsa pianificata.



## 4

## Manutenzione & autonomia

### Manutenzione



**AVVERTENZA** – La mancata osservanza delle istruzioni in questa sezione può causare danni, gravi lesioni personali o morte. Se la tua bicicletta mostra segni di danneggiamento, non utilizzarla e portala immediatamente al tuo rivenditore autorizzato Greyp per un'ispezione.

Tutta la manutenzione regolare, la risoluzione dei problemi, la riparazione e la sostituzione delle parti devono essere eseguite da un rivenditore Greyp autorizzato.



**AVVERTENZA** – Se l'uso di una bicicletta comporta uno stress maggiore di quello previsto, la bicicletta o le sue parti possono danneggiarsi o rompersi. Una bicicletta danneggiata potrebbe ridurre il tuo controllo e farti cadere. Non guidare in condizioni che applicano uno stress maggiore rispetto ai limiti della bicicletta. Se non sei sicuro dei limiti della bicicletta, consulta il tuo negozio di biciclette.

Occorre prestare molta attenzione a non danneggiare la fibra di carbonio o il materiale composito. Qualsiasi danno può comportare una perdita di integrità strutturale, che può provocare un guasto catastrofico. Questo danno può o non può essere visibile all'ispezione. Prima di ogni corsa e dopo ogni incidente, dovresti ispezionare attentamente il tuo veicolo per eventuali sfilacciature, scalfitture, graffi sulla vernice, scheggiature, piegamenti o qualsiasi altro segno di danno. Se scoperto, non guidare oltre e porta la tua bici Greyp a un rivenditore Greyp autorizzato per un'ispezione completa.

La durata, il tipo e la frequenza della manutenzione dipendono da molti fattori, come la frequenza e il tipo di utilizzo, il peso del ciclista, le condizioni di guida e/o gli impatti. Inoltre, la bici Greyp utilizza un sistema di trasmissione servoassistita, il che significa più distanza a velocità diverse, a seconda del componente. I componenti della trasmissione e dei freni sono particolarmente soggetti ad usura. Chiedi al tuo rivenditore Greyp autorizzato di ispezionare periodicamente il tuo veicolo e i componenti.

L'esposizione ad agenti aggressivi, in particolare all'aria salata (come la guida vicino al mare o in inverno) può provocare la corrosione galvanica dei componenti, che può accelerare l'usura e ridurre la durata della tua bicicletta. Lo sporco può anche accelerare l'usura delle superfici e dei cuscinetti. Le superfici della bici devono essere pulite prima di ogni uscita.

Una cura adeguata e una manutenzione regolare possono aiutare ad aumentare la longevità dei componenti. Se si notano segni di corrosione o screpolature sul telaio o su qualsiasi componente, l'articolo interessato deve essere sostituito. Durante la guida, ascolta eventuali scricchiolii, poiché uno scricchiolio può essere un segno di un problema con uno o più componenti. Esaminare periodicamente tutte le superfici alla luce del sole per verificare la presenza di piccole fratture e se ne scopri, non importa quanto piccole, o qualsiasi danno ai componenti, smetti immediatamente di guidare e fai ispezionare la parte dal tuo rivenditore. Il veicolo deve inoltre essere sottoposto a manutenzione regolare da un rivenditore autorizzato Greyp, il che significa che deve essere pulito e lubrificato. Pulisci e lubrifica regolarmente la trasmissione secondo le istruzioni del produttore della trasmissione.

Non applicare lubrificante sui dischi dei freni a disco. Il lubrificante sulle superfici dei freni può ridurre la funzione di frenata e aumentare la possibilità di incidenti o lesioni. Se del lubrificante o qualsiasi altro fluido entra nel rotore del disco del freno, rimuovere la ruota dalla bicicletta e pulire a fondo il rotore del disco del freno. Se ne trovi delle pastiglie dei freni, sostituiscile.

Non utilizzare un getto d'acqua ad alta pressione direttamente sui cuscinetti. Anche l'acqua di un tubo da giardino può penetrare nelle guarnizioni dei cuscinetti e nelle interfacce della manovella, il che può comportare una maggiore usura dei cuscinetti e della manovella, compromettendo a sua volta il normale funzionamento dei cuscinetti. Utilizzare un panno pulito e umido e detergenti per biciclette per la pulizia. Non esporre il veicolo alla luce solare diretta prolungata o al calore eccessivo, come all'interno di un'auto parcheggiata al sole o vicino a una fonte di calore come un radiatore.

È molto importante utilizzare solo pezzi di ricambio originali per i componenti critici per la sicurezza.

I cerchioni delle ruote delle biciclette sono soggetti ad usura. Chiedi al tuo rivenditore informazioni sull'usura dei cerchioni. Guidare una ruota che è al termine della sua vita utile può causare il guasto della ruota, che può causare la perdita di controllo e la caduta.

Le impugnature del manubrio, i tappi terminali o le estensioni allentati o danneggiati devono essere sostituiti, poiché possono esporre le estremità del manubrio, che sono note per causare lesioni, e possono causare la perdita del controllo e la caduta.



**AVVERTENZA** — Guidare con una ruota fissata in modo non corretto può far oscillare o cadere la ruota dalla bicicletta, che può causare lesioni gravi o mortali. Pertanto, è essenziale che tu:

1. Chiedi al tuo rivenditore di aiutarti per assicurarti di sapere come installare e rimuovere le ruote in sicurezza.
2. Comprendere e applicare la tecnica corretta per bloccare la ruota in posizione.
3. Ogni volta, prima di guidare la bicicletta, controllare che la ruota sia ben fissata.
4. L'azione di bloccaggio di una ruota fissata correttamente deve imprimere un rilievo alle superfici.

**Le parti seguenti devono essere sostituite solo con ricambi originali:**

- |                |                |
|----------------|----------------|
| » Telaio       | » Freni        |
| » Batteria     | » Caricatore   |
| » Display unit | » Unit motore  |
| » Cablaggi     | » Control unit |
| » Tubi freni   | » Sensori      |

## **Autonomia**

**L'autonomia con una scarica dipende da vari fattori, come (ma non solo):**

- |  |
|--|
| » Condizioni meteo come temperatura e vento;                   |
| » Condizioni stradali come elevazione e superficie;            |
| » Condizioni della bici come pressione gomme e manutenzione;   |
| » Uso della bici, come frequenti accelerazioni o cambi marcia; |
| » Peso del pilota e del bagaglio;                              |
| » Cicli di carica e scarica.                                   |





# 5

## Pulizia della bici

La maggior parte della pulizia può essere effettuata con sapone, acqua, spugne e pennelli.

- » *Non usare spray ad alta pressione perchè l'acqua può penetrare in aree sigillate;*
- » *Non usare saponi corrosivi e forti solventi – Usare sempre prodotti intesi per le bici elettriche;*
- » *Se la catena è molto sporca consigliamo di usare un pulitore a solvente per catene;*
- » *Rimuovere la batteria prima di ogni pulizia.*

### Catena

Dopo ogni lavaggio, la catena deve essere pulita e lubrificata. Dopo pochi giri, lubrificare leggermente. Dopo ogni 400 km [250 mi], controllare l'allungamento della catena. Utilizzare un misuratore di allungamento della catena per determinare se la catena deve essere sostituita.

### Forcella

Pulisci e asciuga le forcelle dopo ogni giro.

La corretta manutenzione della forcella non solo garantisce anni di guida senza preoccupazioni, ma manterrà anche le prestazioni ottimali e migliorerà la tua esperienza sulla bici. Ciascun intervallo di manutenzione indica il numero massimo di ore di guida designate per ogni tipo di manutenzione consigliata. A seconda del terreno e delle condizioni ambientali nella tua posizione, del tuo stile di guida e del livello di abilità, potresti vedere prestazioni migliori se esegui la manutenzione della forcella a intervalli più brevi. Per dettagli specifici, consultare i manuali di servizio del produttore delle sospensioni.

## Molle

Pulisci e pulisci l'ammortizzatore dopo ogni corsa.

L'esecuzione della corretta manutenzione dell'ammortizzatore non solo garantisce anni di guida senza preoccupazioni, ma manterrà anche le prestazioni ottimali e migliorerà la tua esperienza sulla bici. Ciascun intervallo di manutenzione indica il numero massimo di ore di guida designate per ogni tipo di manutenzione consigliata. A seconda del terreno e delle condizioni ambientali nella tua posizione, del tuo stile di guida e del livello di abilità, potresti vedere le prestazioni aumentare se esegui la manutenzione a intervalli più brevi. Per dettagli specifici, consultare i manuali di servizio del produttore delle sospensioni.

Tutte le riparazioni devono essere eseguite solo da un concessionario autorizzato.

## Lubrificazione

Consulta il tuo rivenditore per scegliere tra i tanti tipi di lubrificanti per catena più adatti al tuo clima e alle tue condizioni di guida. Ogni mese, lubrificare tutti i punti di articolazione del deragliatore posteriore, nonché le ruote di appoggio.

# 6

## Garanzia

---

### Generale

I prodotti Greyp sono stati fabbricati e testati secondo i più elevati standard di qualità da Porsche eBike Performance d.o.o. Questa garanzia limitata offerta da Porsche eBike Performance d.o.o. copre i difetti di materiale o di lavorazione dei nuovi prodotti Greyp. Greyp garantisce questo prodotto contro difetti di materiale o di fabbricazione per un periodo di 24 mesi dopo il primo acquisto. Greyp sostituirà qualsiasi prodotto o parte del prodotto che si riveli difettoso a causa di lavorazione e/o materiale impropri, in condizioni di normale installazione, uso, assistenza e manutenzione. Se Greyp non è in grado di fornire una sostituzione e se una riparazione non è pratica o non può essere eseguita in modo tempestivo, Greyp può decidere di rimborsare il prezzo di acquisto in cambio della restituzione del prodotto.

Questa garanzia si estende solo all'acquirente originale e non è trasferibile. Questa garanzia non si applica alle biciclette a noleggio o per uso commerciale. Solo i consumatori che acquistano prodotti Greyp da rivenditori o rivenditori autorizzati Greyp o tramite il sito Web Greyp possono ottenere la copertura nell'ambito delle nostre garanzie limitate. Questa garanzia non copre eventuali danni o difetti risultanti dalla mancata osservanza delle istruzioni nel manuale dell'utente, alterazioni del design originale, cause di forza maggiore, incidenti, uso improprio, negligenza, abuso, montaggio improprio, errore dell'operatore, danni causati dall'acqua o utilizzo improprio -up manutenzione. Greyp esonera esplicitamente dalla copertura qualsiasi danno alle biciclette utilizzate per salti, acrobazie, programmi di noleggio, prove osservate e qualsiasi tipo di guida o evento estremo simile.

Anche i danni incidentali e consequenziali non sono coperti. Greyp non copre i costi di spedizione in garanzia internazionale in nessun momento, per nessun motivo. Questa garanzia è espressamente limitata alla sostituzione delle parti difettose con quelle di valore uguale o superiore a esclusiva discrezione di Porsche eBike Performance d.o.o.

La riparazione, la sostituzione o il rimborso del prezzo di acquisto, come previsto dalla presente garanzia, è l'unico rimedio dell'acquirente. Greyp non si assume né autorizza alcuna persona a creare per essa alcun altro obbligo o responsabilità in relazione alla presente garanzia. Greyp non sarà responsabile nei confronti dell'acquirente o di qualsiasi altra persona per eventuali danni incidentali, speciali o consequenziali, derivanti dalla presente garanzia o da qualsiasi garanzia implicita, inclusi, a titolo esemplificativo, danni per lesioni personali, danni alla proprietà o perdite economiche, sia basati sul contratto, garanzia, negligenza o responsabilità del prodotto in relazione ai loro prodotti.

Alcuni componenti delle biciclette Greyp sono soggetti ad usura a causa della loro funzione. Il tasso di usura dipenderà dalla cura e dalla manutenzione e dal modo in cui viene utilizzata la bicicletta. Biciclette che sono spesso lasciate all'aperto possono anche essere soggette a una maggiore usura dovuta agli agenti atmosferici. I componenti seguenti richiedono una manutenzione regolare. Tuttavia, prima o poi raggiungeranno la fine della loro vita utile, a seconda delle condizioni e dell'intensità di utilizzo. Le seguenti parti che hanno raggiunto il loro limite di usura devono essere sostituite:

- |                                  |                                     |
|----------------------------------|-------------------------------------|
| » <i>Batteria</i>                | » <i>Tubi freni</i>                 |
| » <i>Anelli catena e pignoni</i> | » <i>Lubrificanti</i>               |
| » <i>Catena</i>                  | » <i>Sigilli del canotto sella</i>  |
| » <i>Mozzi</i>                   | » <i>Elementi delle sospensioni</i> |
| » <i>Pastiglie</i>               | » <i>Cerchi e raggi</i>             |
| » <i>Camere d'aria e gomme</i>   | » <i>Manopole</i>                   |
| » <i>Liquido freni</i>           | » <i>Cavi/connettori</i>            |
| » <i>Rotori disco freni</i>      | » <i>Pedali</i>                     |
| » <i>Cuscinetti</i>              |                                     |

## Batteria

Se la batteria si guasta completamente durante i primi 24 mesi o 500 cicli (a seconda dell'evento che si verifica per primo) dalla data di acquisto originale, verrà sostituita o riparata gratuitamente. Le batterie al litio richiedono cure e manutenzione per massimizzare l'aspettativa di vita (si prega di leggere il capitolo Durata della batteria). L'abuso della batteria invalida la garanzia.

### La garanzia è nulla nei seguenti casi:

- » *Se il danno è causato da sovraccarico;*
- » *Se il danno è causato da un caricabatteria improprio;*
- » *Se il danno è causato da errata manutenzione o uso improprio;*
- » *Se il danno è causato da normale usura;*
- » *Se il danno è causato dall'acqua;*
- » *Se la batteria viene caricata a temperatura inferiore a 0°C [32°F];*
- » *Se la batteria rimane ad una carica inferiore al 20% per più di un mese.*

Se è necessario rimuovere una batteria per la spedizione di ritorno a Greyp, è responsabilità del cliente rimuovere in sicurezza e inviare la batteria a Greyp a proprie spese. Greyp rimborserà il cliente per la propria manodopera e le parti di ricambio nei primi 24 mesi di possesso della bicicletta.

Greyp pagherà per restituire la batteria al cliente. Greyp si riserva il diritto di riparare o sostituire la batteria a sua esclusiva discrezione. Tutte le batterie al litio devono essere spedite come merce pericolosa di Classe 9 (HAZMAT) e devono essere spedite in conformità con tutte le leggi locali e internazionali. Le batterie al litio vendute da Greyp non possono e non devono MAI essere portate a bordo di un aereo passeggeri.

## **Telaio**

Il telaio Greyp è coperto da una garanzia contro i difetti per 24 mesi dalla data di acquisto originale per il proprietario originale. Se un telaio risulta difettoso, la spedizione nell'UE, le parti e la manodopera per sostituire il telaio vengono pagate da Greyp per i primi 24 mesi dalla data di produzione originale. Il costo della riparazione/sostituzione della vernice personalizzata non è mai incluso nella garanzia del telaio in nessun momento.

## **Motore**

Il motore è garantito per 24 mesi dalla data di acquisto originale per essere esente da difetti. In caso di reclamo in garanzia che richieda la restituzione del motore a Greyp, il cliente è responsabile della rimozione e della spedizione a Greyp. Greyp paga le parti, la manodopera interna e la spedizione di ritorno.

## **Elettronica**

I componenti elettronici sono garantiti per 24 mesi dalla data di acquisto originale per essere privi di difetti. In caso di reclamo in garanzia che richieda la restituzione dell'elettronica a Greyp, il cliente è responsabile della rimozione e della spedizione a Greyp. Greyp paga le parti, la manodopera interna e la spedizione di ritorno.

## **Freni**

I freni sono garantiti per 24 mesi dalla data di acquisto originale per essere privi di difetti. La normale usura delle pastiglie dei freni e dei dischi dei freni non è coperta. I reclami in garanzia sui componenti vengono effettuati in conformità con le linee guida del produttore dei componenti. In caso di reclamo in garanzia che richieda la restituzione dei componenti a Greyp, il cliente è responsabile della rimozione e della spedizione a Greyp. Greyp paga le parti, la manodopera interna e la spedizione di ritorno.

## **Sospensioni**

Le sospensioni sono garantite per 24 mesi dalla data di acquisto originaria per essere

esenti da vizi. La normale usura delle sospensioni, come il cambio dell'olio e le guarnizioni che perdono, non sono coperte. I reclami in garanzia per i componenti vengono effettuati in conformità con le linee guida del produttore dei componenti. In caso di reclamo in garanzia che richieda la restituzione dei componenti a Greyp, il cliente è responsabile della rimozione e della spedizione a Greyp. Greyp paga le parti, la manodopera interna e la spedizione di ritorno.

## Trasmissione

La trasmissione include pignoni, sistema del cambio, catena e ruote. Le unità di trasmissione sono garantite per 24 mesi dalla data di acquisto originale per essere esenti da difetti. La normale usura della trasmissione, come l'usura della catena e del pignone, forature dei pneumatici, ruote piegate, raggi, mozzi, mozzi liberi, cuscinetti e pneumatici usurati non sono coperti. I reclami in garanzia per i componenti vengono effettuati in conformità con le linee guida del produttore dei componenti. In caso di reclamo in garanzia che richieda la restituzione dei componenti a Greyp, il cliente è responsabile della rimozione e della spedizione a Greyp. Greyp paga le parti, la manodopera interna e la spedizione di ritorno.

## Come fare un reclamo

Porsche eBike Performance d.o.o. non fornirà alcuna copertura di garanzia a meno che i reclami non siano presentati in conformità con tutti i termini e condizioni Porsche eBike Performance d.o.o. e la corretta procedura di reso non venga seguita. Per richiedere un servizio di garanzia, è necessario contattare il Servizio Clienti Greyp e fornire chiaramente le seguenti informazioni:

- » *lo scontrino o altra prova di data e luogo di acquisto;*
- » *nome completo e recapiti (numero di telefono, email);*
- » *numero di produzione della bici;*
- » *descrizione del problema;*
- » *immagini o video come prova del problema;*
- » *consegna del prodotto o parte difettosa imballata con cura e assicurata, a Porsche eBike Performance d.o.o. o ad un rivenditore ufficiale.*

Il prodotto o la parte difettosa devono essere consegnati a Porsche eBike Performance d.o.o. o un rivenditore concordato con affrancatura prepagata e accuratamente imballata e assicurata. Al termine del servizio di garanzia, qualsiasi prodotto o parte riparata o sostituita sarà restituita al cliente con affrancatura prepagata. Porsche eBike Performance d.o.o. si riserva il diritto di ispezionare eventuali componenti o prodotti difettosi per determinare se è necessaria una riparazione o una sostituzione.

Porsche eBike Performance d.o.o., Ljubljanska 7, 10431 Sveta Nedelja, Croatia

# 7

## Smaltimento

---

L'unità motrice, il computer di bordo compreso l'unità di comando, la batteria, il sensore di velocità, gli accessori e l'imballaggio devono essere smaltiti nel rispetto dell'ambiente.

### **Solo per nazioni EU:**

Secondo la Direttiva Europea 2012/19/UE, i dispositivi/strumenti elettrici non più utilizzabili e, secondo la Direttiva Europea 2006/66/CE, i pacchi batteria/batterie difettosi o usati, devono essere raccolti separatamente e smaltiti in un maniera ecologicamente corretta.

Si prega di restituire le batterie e i computer di bordo che non sono più utilizzabili a un rivenditore di biciclette autorizzato.

Le batterie e i caricatori non devono essere gettati nei rifiuti domestici! Tutte le batterie e i caricatori devono essere smaltiti nel rispetto dell'ambiente, in conformità con le normative sullo smaltimento delle batterie nel proprio paese o stato. Chiedi al tuo rivenditore Greyp autorizzato informazioni su come smaltire una batteria o un caricabatterie e su eventuali programmi di ritiro applicabili.







# TECHNICAL MANUAL – G SERIES

---

ENGLISH

# Contents

---

<b>1 INTRODUCTION</b>	<b>5</b>	Front suspension	<b>13</b>
Disclaimer	<b>5</b>	Additional adjustment	<b>13</b>
General warning	<b>6</b>	Recommended tire pressure	<b>13</b>
General information	<b>6</b>	Maximum tire pressure	<b>14</b>
The maximum permissible weight	<b>7</b>	Reflectors	<b>14</b>
Out of box assembly	<b>8</b>		
EU specifics	<b>11</b>		
USA specifics	<b>11</b>		
<b>2 GENERAL NOTES ABOUT RIDING</b>	<b>12</b>	<b>3 SYSTEM FUNCTIONS</b>	<b>15</b>
Rear Suspension (if applicable)	<b>12</b>	Bike parts	<b>15</b>
Additional adjustment	<b>12</b>	Assembling parts supplied unassembled	<b>16</b>
		Control unit functions	<b>17</b>
		Display unit information	<b>18</b>

---

Power on	19	Appropriate spares	24
Stand by mode on	19		
Stand by mode off	19	<b>4 BIKE MAINTENANCE AND RANGE</b>	25
Power off	20	Service and maintenance schedule	25
Walk assist mode	20	Shifting recommendations	27
Lights on/off	20	Recommended tightening of fasteners	27
Joystick	21		
Assist level up/down	21	<b>5 EU – DECLARATION OF CONFORMITY</b>	31
Info and Pair a bike screen	22	<b>UKCA – DECLARATION OF CONFORMITY</b>	32
Manual Software Update	22		
Retro video	23		
Battery Pack Mount/Dismount	23		



# 1

## Introduction

**Original instructions (user manual/instructions for use) are written in English. All other languages are translations of the original instructions (user manual/instructions for use). In case of any dispute, the user manual in English prevails.**

This user instruction manual is developed for your Greyp bike only. It contains important safety, performance and technical information, which you should read before your first ride and keep for reference. You should also read the entire User Manual, because it contains additional important general information and instructions that you should follow.

*If you do not have a copy of the User Manual, please download it for free at [www.greyp.com](http://www.greyp.com) or obtain it from your nearest Authorised Greyp Retailer. In case of discrepancy, the english version shall prevail.*

### Disclaimer

Any modifications of the bike are strictly forbidden and will bear no liability whatsoever for the consequences of such modifications. Porsche eBike Performance d.o.o. does not grant, explicitly or implicitly, to any party any patent rights, licenses or any other IP rights, whether with regard to such information itself or to anything described by such information. The information provided by Porsche eBike Performance d.o.o. hereunder is provided *as is, where is* and with all faults, and the entire risk associated with such information is entirely with the buyer. The information provided in this document is proprietary to Porsche eBike Performance d.o.o., and Porsche eBike Performance d.o.o. reserves the right to make any changes to the information in this document or to any products and services at any time without notice.

You should check [www.greyp.com](http://www.greyp.com) for any changes made in the User Manual.



**Porsche eBike Performance d.o.o.,**  
Ljubljanska 7, 10431 Sveta Nedelja, Croatia,  
December 7<sup>th</sup>, 2022.

## General warning

This manual contains many "WARNINGS" and "CAUTIONS" concerning the consequences of failure to maintain or inspect your bike and of failure to follow safe cycling practices.

The combination of the safety alert symbol and the word WARNING indicates a potentially hazardous situation which, if not avoided, could result in serious injury or death.

The combination of the safety alert symbol and the word CAUTION indicates a potentially hazardous situation which, if not avoided, may result in minor or moderate injury, or is an alert against unsafe practices.

Many of the WARNINGS and CAUTIONS say *you may lose control and fall*. Because any fall can result in serious injury or even death, we do not always repeat the warning of possible injury or death.

As it is impossible to anticipate every situation or condition which can occur while riding, this User Manual makes no representation about the safe use of the bicycle under all conditions. There are risks associated with the use of any bicycle which cannot be predicted or avoided, and which are the sole responsibility of the rider.

## General information

- » **EU** - The G6.1, G6.2, G6.4, G6.4 PRO, G6.5, G6.6, G6.6 PRO, G5.1, G5.2 and G5.3 are high-performance bicycles. The G6.3, G6.20, G6.40, G6.40 PRO, G6.50, G6.60 PRO and G6.60 are off-road vehicle and they should not be ridden on public roads.
- » **US** - The G6.1 (US), G6.2 (US), G6.4 (US), G6.5 (US), G6.6 (US), G5.1 (US), G5.2 (US) and G5.3 (US) are CLASS 1 electric bicycle. The G6.3 (US), G6.20, G6.50 (US) and G6.60 (US) are CLASS 3 electric bicycles.

G-series are intended to be used on gravel, paved and non-paved hiking trails (with several roots, thresholds, rocks and small drops) and rougher unpaved terrain, with jumps and drops not more than 1m (maximum height).

Motor support will automatically switch off when you reach a maximum speed of: 25km/h for G6.1, G6.2, G6.4, G6.5, G6.6, G5.1, G5.2 and G5.3; 32km/h (20 mph) for G6.1 (US), G6.2 (US), G6.4 (US), G6.5 (US), G6.6 (US), G5.1 (US) and, G5.2 (US) and G5.3; 45km/h (28mph) for G6.3, G6.3 (US), G6.20, G6.20 (US), G6.50, G6.50 (US), G6.60 and G6.60 (US). A driver's license or insurance is typically not required. Regardless of its classification, the bike will only provide motor support only while pedaling.

## THE MAXIMUM PERMISSIBLE WEIGHT

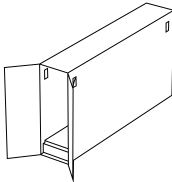
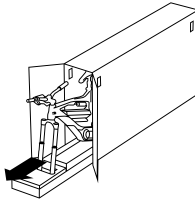
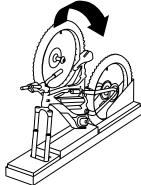
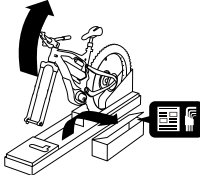
<b>VEHICLE</b>	<b>THE PERMISSIBLE TOTAL PAYLOAD WEIGHT (DRIVER + LUGGAGE) *</b>	<b>VEHICLE WEIGHT **</b>	<b>MAXIMUM PERMISSIBLE TOTAL WEIGHT (VEHICLE + DRIVER + LUGGAGE)</b>
<b>G5.1 AND G5.1 (US)</b>	125.5 kg [276.7 lb]	24.5 kg [54 lb]	150 kg [330.7 lb]
<b>G5.2 AND G5.2 (US)</b>	126 kg [277.8 lb]	24 kg [52.9 lb]	150 kg [330.7 lb]
<b>G5.3 AND G5.3 (US)</b>	125.2 kg [276 lb]	24.8 kg [54.7 lb]	150 KG [330.7 lb]
<b>G6.1 AND G6.1 (US)</b>	125.5 kg [276.7 lb]	24.5 kg [54 lb]	150 kg [330.7 lb]
<b>G6.2, G6.20, G6.20 (US) AND G6.2 (US)</b>	125 kg [275.6 lb]	25 kg [55.1 lb]	150 kg [330.7 lb]
<b>G6.3 AND G6.3 (US)</b>	126 kg [277.8 lb]	24 kg [52.9 lb]	150 kg [330.7 lb]
<b>G6.4, G6.40, G6.4 PRO, G6.40 PRO AND G6.4 (US)</b>	124.6 kg [274.7 lb]	25.4 kg [56.0 lb]	150 kg [330.7lb]
<b>G6.5, G6.5 (US), G6.50 AND G6.50 (US)</b>	124 kg [273.4 lb]	26 kg [57.3 lb]	150 kg [330.7lb]
<b>G6.6, G6.60, G6.6 PRO, G6.60 PRO, G6.6 (US) AND G6.60 (US)</b>	123.6 kg [272.5 lb]	26.4 kg [58.2 lb]	150 kg [330.7lb]

Please find additional safety, performance and service information for specific components such as suspension, brakes or motor in the Manufacturer's Guidelines.

\* Frame size S has a higher Permissible Total Payload Weight by up to 0.2kg while frame size L has the Permissible Total Payload Weight lower by up to 0.2kg, than what is listed in the table.

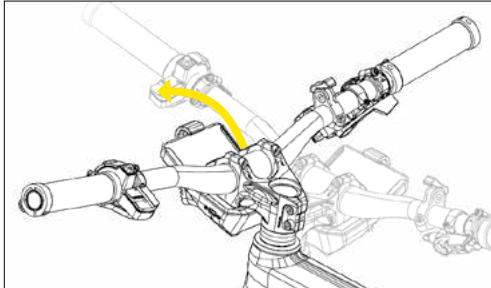
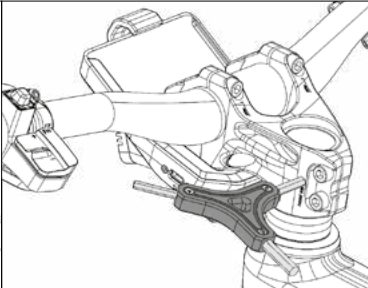
\*\* Frame size S is up to 0.2kg lighter while frame size L is up to 0.2kg heavier than listed in the table.

## Out of box assembly

1	OPEN BOX	2	BIKE OUT	3	FRONT WHEEL	4	TOOL BOX
							
	Open the marked side of the box	Pull out the bike holding the fork	Take out the front wheel	Lift the bike to access the toolbox			

### READ THE USER MANUAL

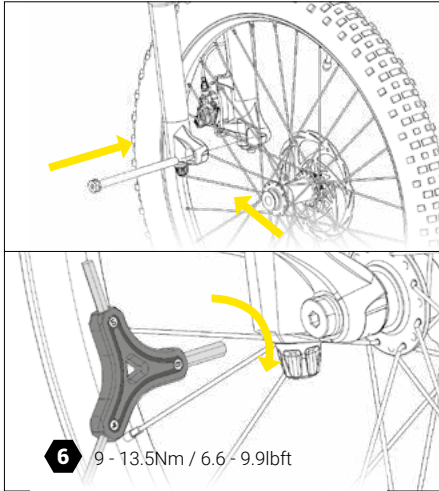
If you don't have the knowledge or ability to assemble the Greyp yourself, please consult a professional mechanic.

5	HANDLEBAR POSITIONING
	

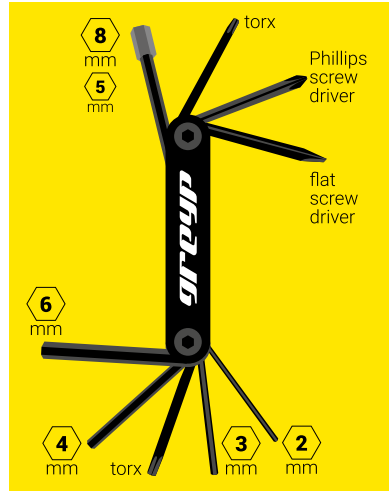
1. Rotate the handlebar to its natural position ( $\approx 90^\circ$  to the frame, "centered").
2. Using the tool (hex key number 5), **lightly tighten the two bolts** on the stem.



**6 FRONT WHEEL MOUNTING**

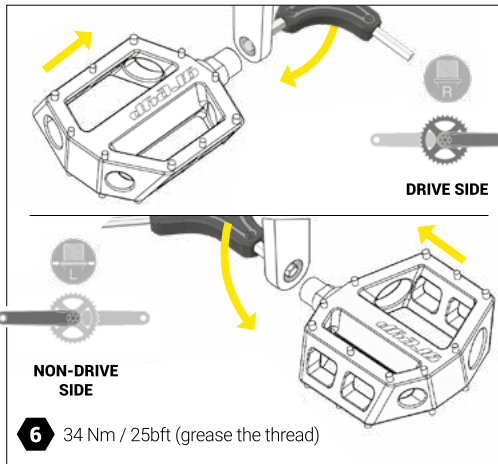


**TOOLS**

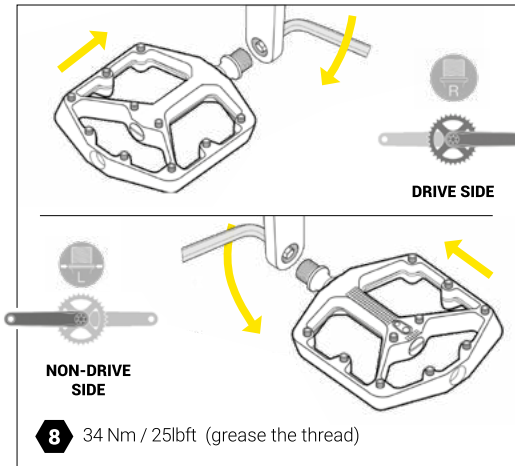


1. Guide your **wheel into the fork** and guide the rotor between the brake pads.
2. **Tighten the axle** - line up your hub with the holes at the bottom of your fork. Check which side of the fork is threaded and push the axle in from the opposite side. Turn the hex key number 6 clockwise to thread the axle into the fork.

**7 PEDALS MOUNTING (G6.1, G6.2, G6.4, G6.5, G6.6)**

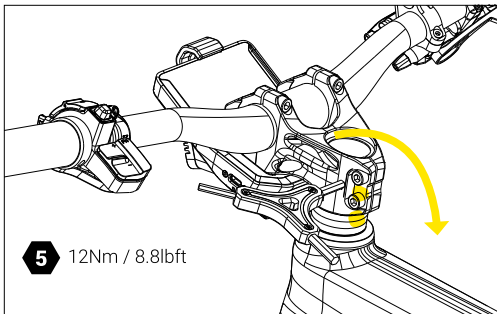


1. Take the pedals out of the box, **grease the thread and tighten** them using the tool (hex key number 6) (see picture above).
2. Pay attention to the **direction of rotation** while tightening. The thread on the right pedal is right-handed (standard). The direction of rotation for tightening is anti-clockwise. The thread on the left pedal is left-handed so the direction of rotation for tightening is clockwise.

**CHECK (G6.3)**

**1.** Take the pedals out of the box, **grease the thread and tighten** them using the tool (L shaped 8 allen wrench - see picture).

**2.** Pay attention to the **direction of rotation** while tightening. The thread on the right pedal is right-handed (standard). The direction of rotation for tightening is anti-clockwise. The thread on the left pedal is left-handed so the direction of rotation for tightening is clockwise.

**8 HANDLEBAR MOUNT**

**1.** Slightly **loosen the 2 bolts on the stem**. Tighten the top cap (headset bolt) to 6Nm using the tool (hex key number 5).

**2.** **Center and tighten** the 2 bolts on the stem. The easiest way to get everything "centered" is to stand in front of your bike and hold the front wheel between your feet and legs. Tighten the 2 bolts on stem (headset bolt) to 12Nm.

**9 CHECK**

**Grab the front brake and use the bars to push/jolt the bike forward.** If you feel that the headset is loose (a clinking sound, or any movement other than the rear wheel coming off the ground), tighten the top cap, but be careful how much you tighten it (hex key number 5). The top cap bolt will determine how loose or tight your headset is, so it plays a major role in the steering and feel of your bike. Tighten the bolt a little at a time and between each turn.

Once the looseness in the headset is gone, it should be tight enough. **Give the handlebar a turn to the left and right** to make sure they still move smoothly. If the movement is tight, you've gone too far. Back the stem cap off a quarter to half a turn and try again. Once there is no looseness in the headset and the handlebar is smoothly turning, you need to take the tool (hex key number 5) and tighten the two bolts on the stem (see picture).

**Flip your bike over and spin your wheel:** by spinning your wheel, you will make sure your brake pads are not rubbing on the rotor. If your wheel does not spin, it could be crooked in the fork's dropouts. Flip your bike back, loosen your axle, push down on the wheel and tighten the axle again.

## EU SPECIFICS

	<b>RADIO FREQUENCY BAND</b>	<b>MAXIMUM RADIO-FREQUENCY POWER</b>
1	EGSM900	35 dBm
2	GSM1800	32 dBm
3	GSM 900 8-PSK	30 dBm
4	GSM 1800 8-PSK	29 dBm
5	LTE FDD BD1, BD3, BD7, BD8, BD20	25 dBm
6	UMTS WCDMA FDD BDI, BDIII, BDVIII	25 dBm
7	WIFI 4.9 GHZ TO 5.8 GHZ	18 dBm
8	WIFI 2.4 GHZ TO 2.5 GHZ	18 dBm
9	BLUETOOTH 2.4 GHZ	12 dBm

## USA SPECIFICS

This device complies with part 15 of the FCC Rules. Operation is subject to the following two conditions: (1) This device may not cause harmful interference, and (2) this device must accept any interference received, including interference that may cause undesired operation.

Contains FCC IDs: QIPPLS8-USR4, Z64-WL18SBMOD

**NOTE** – This equipment has been tested and found to comply with the limits for a Class B digital device, pursuant to part 15 of the FCC Rules. These limits are designed to provide reasonable protection against harmful interference in a residential installation. This equipment generates, uses and can radiate radio frequency energy and, if not installed and used in accordance with the instructions, may cause harmful interference to radio communications. However, there is no guarantee that interference will not occur in a particular installation. If this equipment does cause harmful interference to radio or television reception, which can be determined by turning the equipment off and on, the user is encouraged to try to correct the interference by one or more of the following measures:

- » *Reorient or relocate the receiving antenna;*
- » *Increase the separation between the equipment and receiver;*
- » *Connect the equipment into an outlet on a circuit different from that to which the receiver is connected;*
- » *Consult the dealer or an experienced radio/TV technician for help.*



**CAUTION** - Changes or modifications not expressly approved by the party responsible for compliance could void the user's authority to operate the equipment.

# 2

## General notes about riding

### SUSPENSION

#### Rear Suspension (if applicable)

Suspension sag can be used to set the proper suspension spring rate for the rider. Sag is the amount (percentage) the suspension compresses when the rider, including riding gear, is seated on the bike in the riding position. Setting the proper sag allows the wheels to maintain traction without using too much of the travel reserved for shock absorption. More sag increases small bump sensitivity, while less sag decreases small bump sensitivity. Set the spring sag before making any other tuning adjustments

Before setting sag, set the dampers to the full open positions. Rotate the adjusters counter clockwise until they stop. Set the shock to the open position. Beginning with the shock fully deflated, pressurize the air spring chamber to 100 psi. Do not compress the suspension with the pump attached. Fully compress the shock five times to equalize the positive and negative air springs. Compress the shock once more to equalize air pressure. With your riding gear on, and an assistant holding the bike, step onto the vehicle and lightly cycle the shock two to three times.

While seated on the bicycle, have an assistant slide the sag o-ring against the wiper seal. Gently step off the vehicle without compressing the shock. Note the sag percentage where the o-ring stopped. Usually sag percentage for shocks is around is 25% - 35%. Sag can be set  $\pm 5\%$  as preferred. If your target sag percentage is not achieved, air pressure must be adjusted. Increase air pressure to decrease sag. Decrease air pressure to increase sag.

#### Additional adjustment

Depending on the exact model of the shock, there are various adjustments that can be made, and some of them are rebound, low speed compression, high speed compression, threshold, lockout and other. For further information please contact your Greyp dealer or visit shock manufacturers website.

## Front suspension

Rebound damping controls the suspension fork extension/return speed, which affects traction and control. Optimal rebound damping allows the fork to extend at a controlled speed and maintain traction and control. Rebound that is too fast allows the fork to extend too quickly, which causes the wheel to bounce off objects and the ground resulting in a pogo effect. Rebound that is too slow prevents the fork from extending quickly enough to regain contact with the ground or prepare for the next impact. Rebound damping can be tuned to rider weight, spring rate and travel, as well as for terrain and rider preference. As the air pressure or spring rate increases, the extension/return speed increases. To achieve the optimal setting, rebound damping may need to be increased when air pressure or spring rate increases.

## Additional adjustment

Depending on the exact model of the fork, there are various adjustments that can be made, and some of them are rebound, low speed compression, high speed compression, lockout and other. For further information please contact your Greyp dealer or visit fork manufacturers website. Usually on fork crown there is level or nut adjuster which if you rotate you can make fork absorption softer or harder.

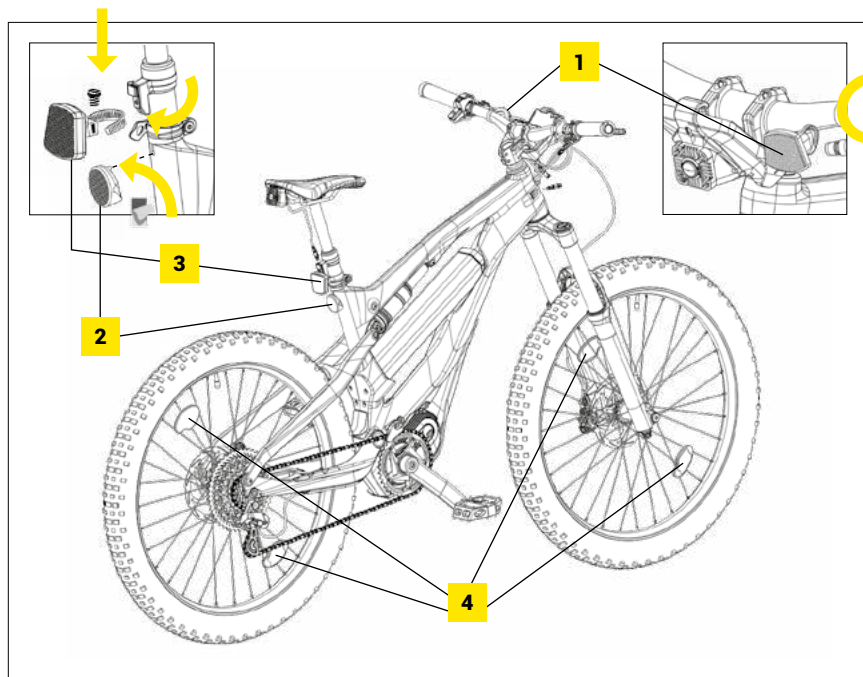
## Recommended tire pressure



**WARNING** – If the maximum pressure values in this manual and values on the side wall of a tire are in any way different, please refer to the ones that are marked on the tire's sidewall or wheel (whichever is lowest). Never inflate a tire beyond the maximum pressure marked on the tire's sidewall. Exceeding the recommended maximum pressure may blow the tire off the rim, which could cause damage to the bike and injury to the rider and/or bystanders.

**Maximum tire pressure (please read warning in this chapter):**

BIKE	FRONT TIRE	REAR TIRE
G6.1, G6.2, G6.3, G6.4	2.6 bar (38 psi)	2.6 bar (38 psi)
G5.1	2.1 bar (30 psi)	2.1 bar (30 psi)
G5.2	3.5 bar (50 psi)	3 bar (45 psi)
G5.3, G6.5, G6.6	3.0 bar (45 psi)	3.0 bar (45 psi)

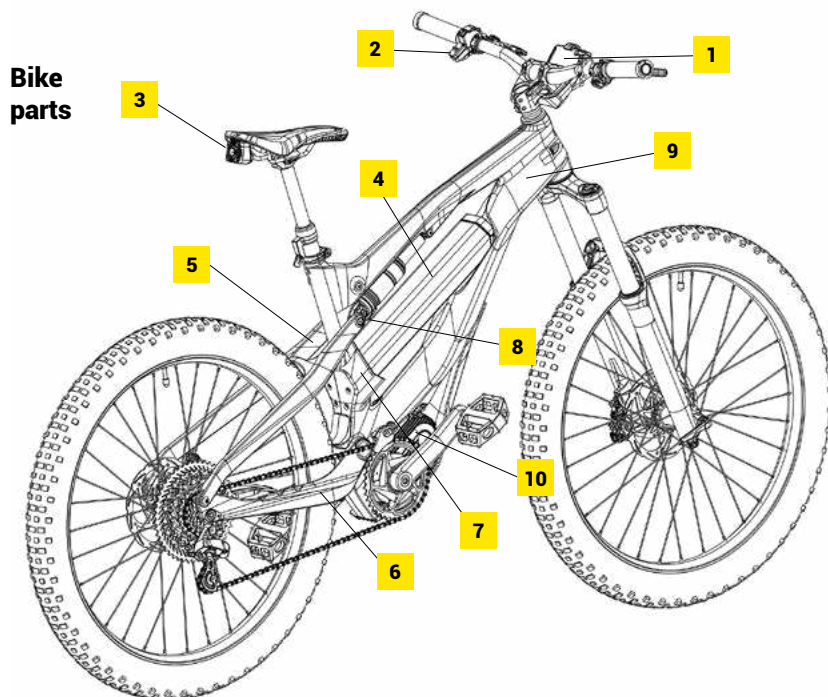


**REFLECTORS**

	NAME/DESCRIPTION
1	FRONT REFLECTOR 313/5K
2	REAR REFLECTOR 314/1
3	REAR REFLECTOR 313/1ZB
4	SPOKE REFLECTOR 309 (M); (US - RR-530-WUW)

## 3

## System functions



### BIKE PARTS

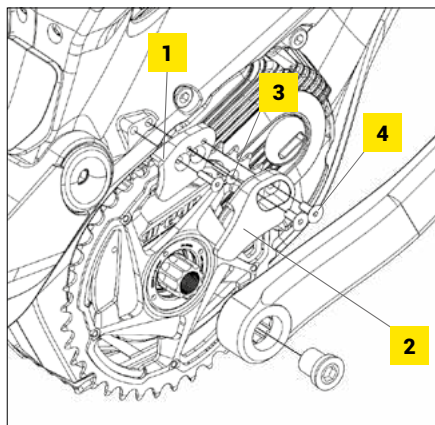
#### NAME/DESCRIPTION

1	DISPLAY UNIT (CIM)	6	CHAINSTAY
2	CONTROL UNIT (CBC)	7	PUSHPLATE
3	REAR CAMERA (BUTS)	8	RATIO LEVER
4	BATTERY	9	FRAME
5	SEATSTAY	10	MOTOR

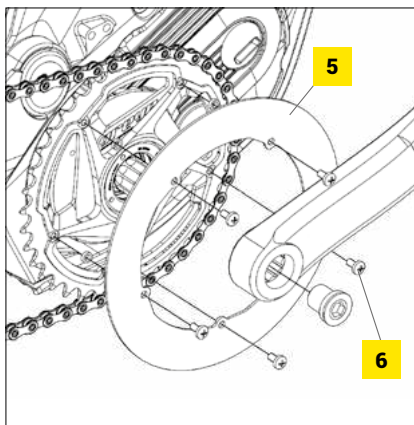
## Assembling parts supplied unassembled



**CAUTION** – Do not use the chainguide and chainguard at the same time.



**Chainguide – use only with positive foot-retention devices on the pedals**



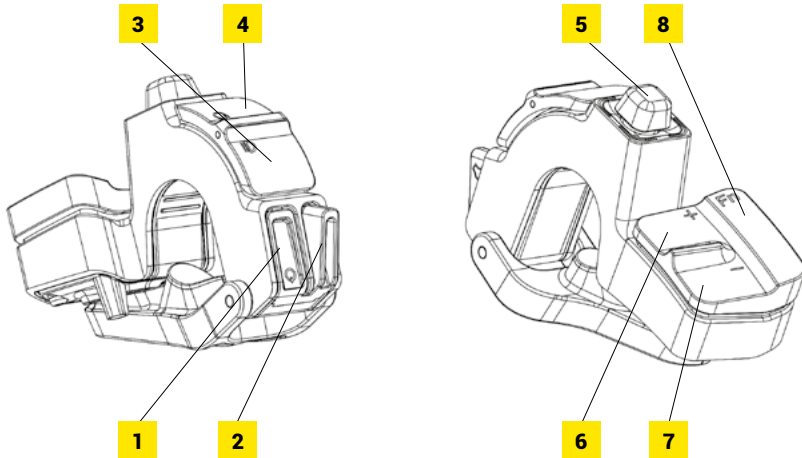
**Chainguard**

### CHAINGUIDE OR CHAINGUARD MOUNT

	NAME/DESCRIPTION	TORQUE, Nm [lb ft]
1	CHAINGUIDE ALUMINUM PART	-
2	CHAINGUIDE PLASTIC PART	-
3	DIN 7991 M5X18	4 [3] + low strenght threadlocker
4	DIN 7991 M5X12	4 [3] + low strenght threadlocker
5	CHAINGUARD	-
6	ISO 7045 M4X8	4 [3]



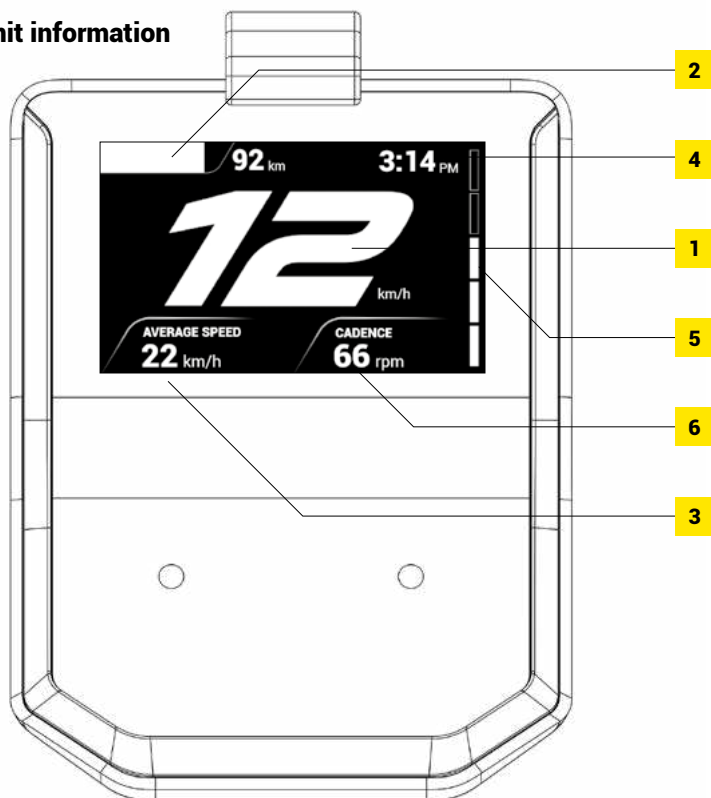
## Control unit functions



### LEGEND

NAME/DESCRIPTION	ICON	FUNCTION	TYPE
1 POWER		ON/OFF AND STAND BY	LONG/SHORT PRESS
2 WALK ASSIST		WALK ASSIST	PRESS & HOLD
3 LIGHT		TURN ON/OFF FRONT AND REAR SIGNAL LIGHTS	SHORT PRESS
4 RETRO VIDEO		RECORDS THE LAST 30 SECONDS OF YOUR RIDE	
5 JOYSTICK		SWITCH BETWEEN DISPLAY FUNCTIONS	SHORT PRESS IN ALL DIRECTIONS
6 ASSIST LEVEL UP		INCREASE LEVEL OF ASSISTANCE	SHORT PRESS
7 ASSIST LEVEL DOWN		DECREASE LEVEL OF ASSISTANCE	SHORT PRESS
8 FUNCTION		VARIOUS FUNCTIONALITIES (SEE NEXT PAGES)	

## Display unit information



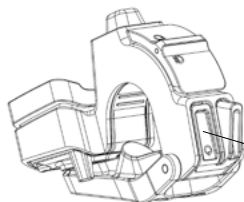
### CIM DISPLAY INTERFACE

NAME/DESCRIPTION	
1	SPEED
2	BATTERY CHARGE / REMAINING DISTANCE
3	RIDE STATISTICS
4	TIME
5	ASSISTANCE LEVEL
6	CADENCE

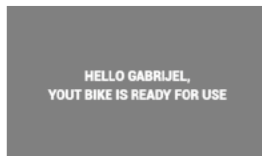
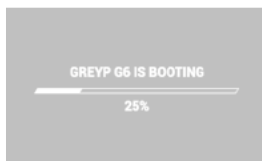
## Power on



To turn on the bike, long press the power button

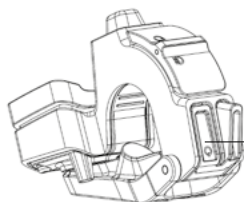


Long press

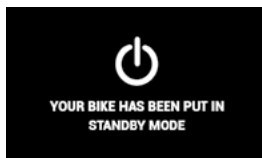


## Stand by mode on

To put your bike in standby mode, short press the power button

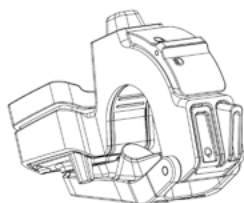


Short press

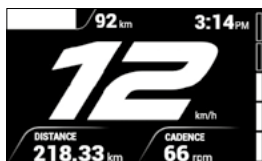


## Stand by mode off

To wake up the bike from stand-by mode, press any button on the control unit or move the bike



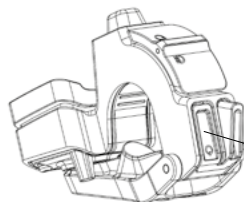
Press any button



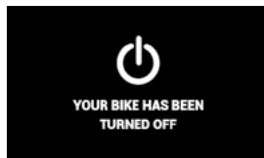
## Power off



To turn off the bike,  
long press the power button



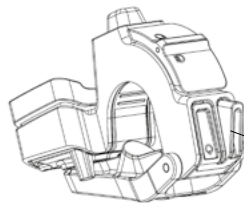
**Long press**



## Walk assist mode



To activate the walk assistance mode,  
press and hold walk assist button

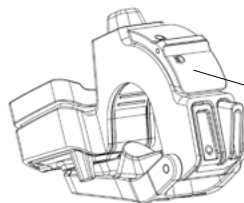


**Press and hold**

## Lights on/off



To turn the lights on or off,  
short press the light button



**Short press**

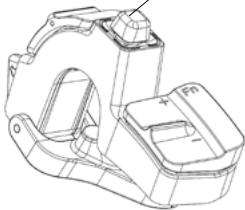
## Joystick



To switch between different information on the display unit, move the joystick up or down

- » TRIP
- » ODOMETER
- » AVERAGE SPEED
- » TRIP TIME

Move up/down

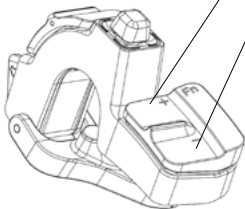


## Assist level up/down




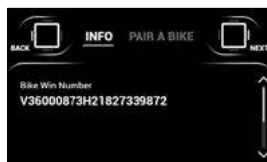
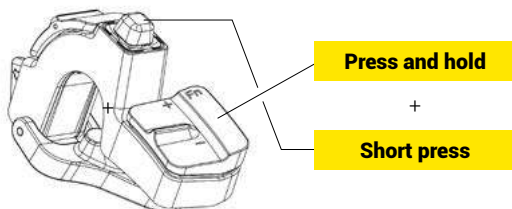
To change the assistance level, short press the plus or minus assist level button


Short press to change by one level

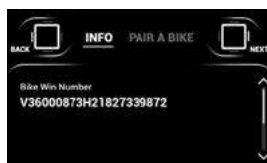
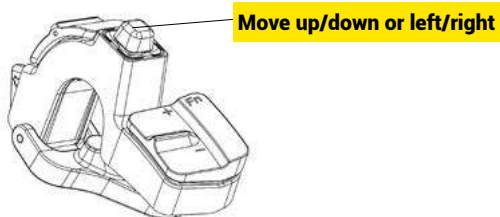


## Info and Pair a bike screen


**Fn** +  To access the Info screen, use a combination of buttons.

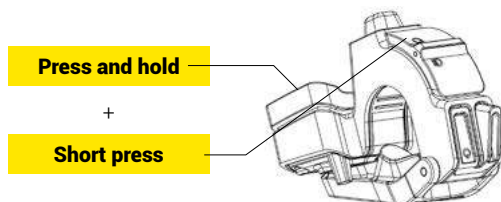


 Move the joystick up or down to scroll inside the screen or move the joystick left/right to switch between screens



## Manual Software Update

**Fn** +  To start the software update use a combination of buttons. Make sure your bike is connected to a charger and that it is connected to your personal hot spot.

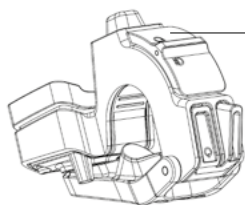


## Retro video



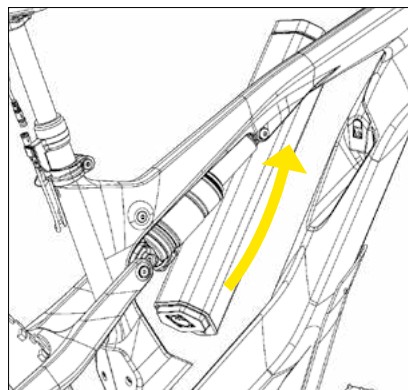
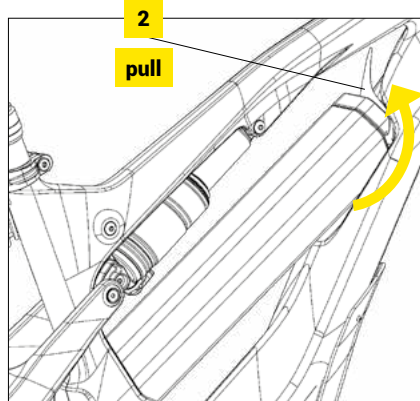
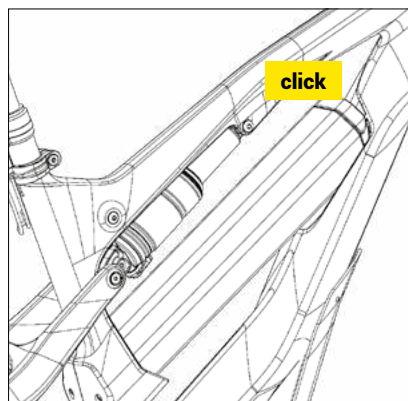
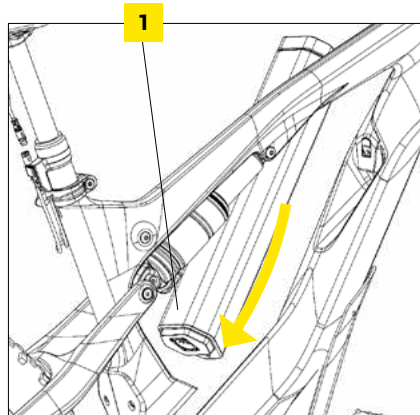
Records the last 30 seconds of the ride on your bike. Download your Retro Videos using the Greyp App.

Find out more about Retro video in the [App manual](#).



**Short press**

## battery pack mount/dismount



**BATTERY PACK MOUNT/DISMOUNT****NAME/DESCRIPTION**

1 BATTERY

2 BATTERY LOCK

**Appropriate spares:**

<b>BIKE</b>	<b>TYRES</b>	<b>BRAKES</b>	<b>ROTORS</b>	<b>INNER TUBE</b>
<b>G6.1</b>	Schwalbe Nobby Nic Magic Mary Front and Rear 27.5" x 2.80"	Formula Cura & Formula Cura 4	Formula Six Bolt 203mm [8"] Front 180mm [7"] Rear	27.5+ x 2.8
<b>G6.2</b>			Formula Six Bolt 203mm [8"] Front 180mm [7"] Rear	
<b>G6.3</b>				
<b>G6.4</b>	Front Johnny Watts 27.5" x 2.60" Rear Schwalbe Johnny Watts, Nobby Nic, Eddy Current 27.5" x 2.60"		Formula Six Bolt 203mm [8"] Front 180mm [7"] Rear	27.5+ x 2.6
<b>G6.5</b>	Front Schwalbe Nobby Nic and Eddy Current, 29 x 2.60" Rear Schwalbe Johnny Watts, Nobby Nic, Eddy Current 27.5" x 2.60"		Formula Six Bolt 203mm [8"] Front 203mm [8"] Rear	Front 29" x 2.6" Rear 27.5+ x 2.6"
<b>G6.6</b>	Front Schwalbe Nobby Nic and Eddy Current, 29" x 2.60" Rear Schwalbe Johnny Watts, Nobby Nic, Eddy Current 27.5" x 2.60"		Formula Six Bolt 203mm [8"] Front 203mm [8"] Rear	Front 29" x 2.6" Rear 27.5+ x 2.6"
<b>G5.1</b>	Front WTB Vigilante 29" x 2.60" Rear WTB Trail Boss G2 27.5" (650b) x 2.6"		Formula Six Bolt 180mm [7"] Front 180mm [7"] Rear	Front 29" x 2.6" Rear 27.5+ x 2.6"
<b>G5.2</b>	Front Schwalbe Nobby Nic 29" x 2.35" Rear Schwalbe Nobby Nic 27.5" x 2.60"		Formula Six Bolt 203mm [8"] Front 203mm [8"] Rear	Front 29" x 2.35" Rear 27.5+ x 2.6"
<b>G5.3</b>	Front Pirelli Scorpion E-MTB S 29" x 2.60" Rear Pirelli Scorpion E-MTB S 27.5" x 2.60"		Formula Six Bolt 203mm [8"] Front 203mm [8"] Rear	Front 29" x 2.35" Rear 27.5" x 2.60"



## 4

## Bike maintenance and range

### Service and maintenance schedule

COMPONENT	WHAT TO DO	BEFORE EVERY RIDE	MONTHLY	ANNUALLY	OTHER
CHAIN	Check and lube if necessary	X			
CHAIN	Replace				After 1000km or sooner if needed
CASSETTE AND CHAIN RING	Replace				After 3000km or sooner if needed
TIRES	Check pressure, tread and side walls	X			
TIRES					After 3 years or at wear mark
INNER TUBES	Replace			X	
FRONT AND REAR HUB BEARINGS	Check for play		X		
BRAKE PADS	Check for wear	X			
BRAKE PADS	Replace			X	
BRAKE DISC ROTOR	Check for wear and trueness	X			
BRAKES	Check for leaks	X			
BRAKE FLUID	Change				As specified by manufacturer

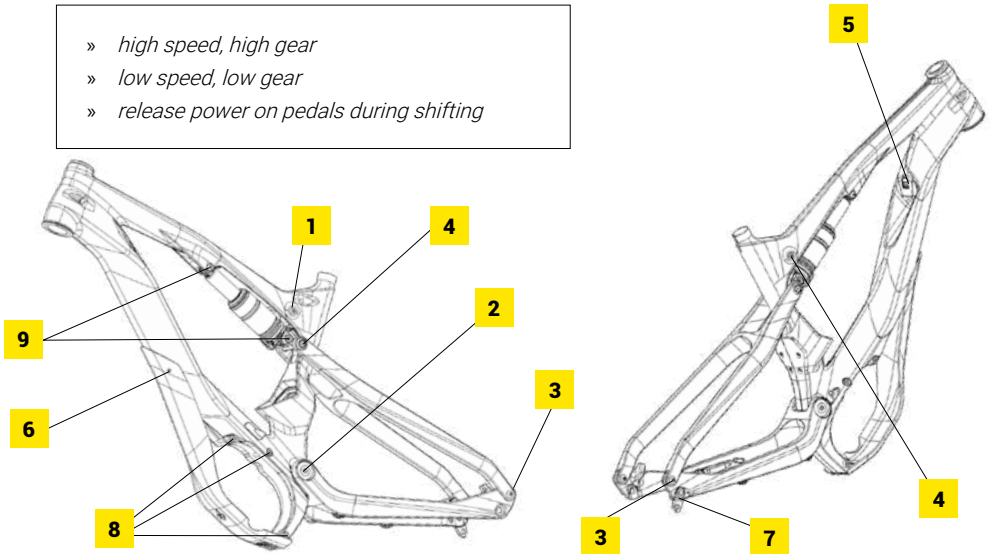
<b>SUSPENSION</b>	Service				As specified by manufacturer
<b>BOLTS AND NUTS</b>	Check and tighten if necessary		X		
<b>CABLES AND HOUSINGS</b>	Replace			X	
<b>HEADSET</b>	Check for play and regrease if necessary		X		
<b>HANDLEBARS</b>	Check and replace if necessary			X	
<b>LIGHTING</b>	Check	X			
<b>PEDALS</b>	Check for play		X		
<b>THRU-AXLES</b>	Check and tighten if necessary	X			
<b>STEM</b>	Disassemble and clean			X	
<b>WHEELS/ SPOKES</b>	Check for trueness and tension		X		
<b>SEAT POST</b>	Disassemble, clean and put sand paste (for carbon) on contact with frame			X	
<b>SHOCK SCREWS</b>	Disassembly, clean and put silicone paste on contact with frame				After 1000 km or sooner if needed
<b>DROPOUT</b>	Disassemble, clean and put silicone paste on contact with frame				After 3000 km or sooner if needed
<b>MOTOR SCREWS</b>	Disassemble, clean and put silicone paste on contact with frame				After 1000 km or sooner if needed
<b>MOTOR-CRANK CONTACT</b>	Disassemble, clean and put bike grease			X	

## Shifting recommendations

For better range, Greyp advises to shift according to your speed. For low speeds, low gearing is best. The higher the speed, the higher the gear that can be chosen. For smooth support and optimum range, it is best to release the pedal pressure while shifting gears.

**Only shift one gear at time. When shifting gear make sure you release power and pedal very lightly during the whole duration. Shifting a gear under power or more gears at the same time can cause premature wear and damage to your drivetrain.**

- » *high speed, high gear*
- » *low speed, low gear*
- » *release power on pedals during shifting*

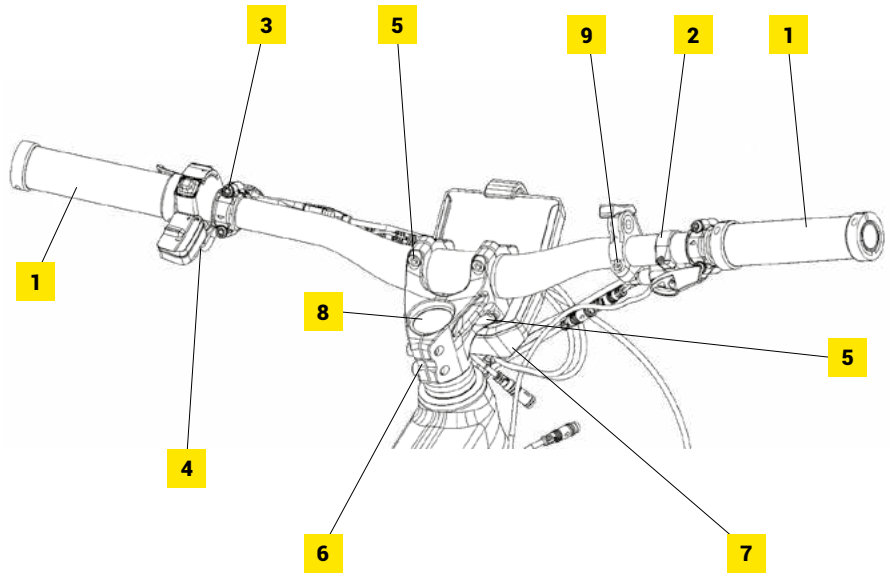


## Recommended tightening of fasteners

### FRAME TORQUE SPECIFICATION

	NAME / DESCRIPTION	TORQUE, Nm [lbf ft]
1	RATIO LEVER / FRAME	8 [5.9] + low strength threadlocker
2	FRAME / CHAINSTAY	20 [14.8] + medium strength threadlocker
3	CHAINSTAY / SEATSTAY	8 [5.9] + low strength threadlocker
4	SEATSTAY / RATIO LEVER	10 [7.4] + low strength threadlocker
5	BATTERY LOCK	2-3 [1.5-2.2]

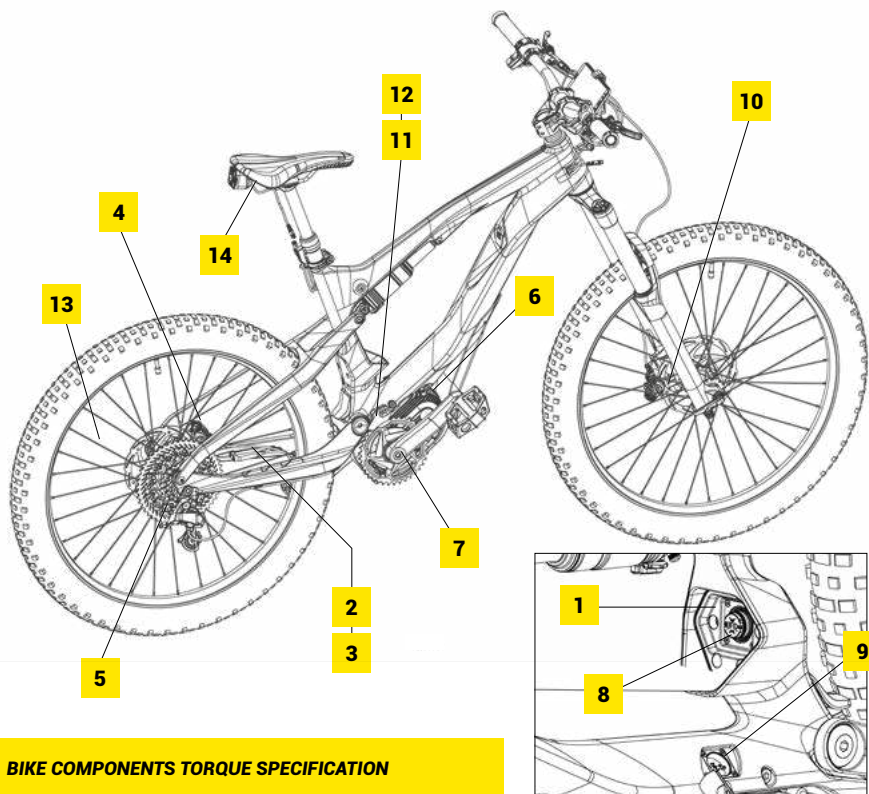
6	SKID PLATE	5 [3.7] + low strenght threadlocker
7	DROPOUT	6 [4.4] + low strenght threadlocker
8	FRAME / MOTOR	10 [7.4] + medium strenght threadlocker
9	RATIO LEVER / REAR SHOCK / FRAME	8 [5.9] + low strenght threadlocker



**HANDLEBAR PARTS / STEM / TORQUE SPECIFICATION**

	NAME / DESCRIPTION	TORQUE, Nm [lbf ft]
1	GRIPS / HANDLEBAR	G6.1 & G6.2 - 2 [1.5], G6.3 & G6.5 - 3 [2.2], G6.4 & G6.6 - lightly
2	SHIFTER / HANDLEBAR	4 [3]
3	BRAKE LEVERS / HANDLEBAR	4 [3]
4	CBC / HANDLEBAR	0.5 [0.37] + low strenght threadlocker
5	STEM / HANDLEBAR	9 [6.6] + low strenght threadlocker

6	STEM / FRONT FORK	12 [8.9] + low strength threadlocker
7	CIM / STEM	1 [0.7], MAX <2 [1.5]
8	HEADSET / FRONT FORK	6 [4.4]
9	SEATPOST / HANDLEBAR	3 [2.2]



**BIKE COMPONENTS TORQUE SPECIFICATION**

	NAME / DESCRIPTION	TORQUE, Nm [lbf ft]
1	PUSHPLATE / FRAME	4 [3] + low strenght threadlocker
2	SPEED SENSOR / CHAINSTAY	2 [1.5] + low strenght threadlocker
3	SPEED SENSOR / SPEED SENSOR HOLDER	2 [1.5] + low strenght threadlocker
4	REAR BRAKE / CHAINSTAY	6 [4.4] + low strenght threadlocker
5	DERAILLEUR / DROPOUT	12 [8.9] + low strenght threadlocker
6	CHAINWHEEL / MOTOR	30 [22.1] + low strenght threadlocker
7	CRANKARMS / MOTOR	40 [29.5] + medium strenght threadlocker
8	Y WIRING / PUSHPLATE	1 [0.7]
9	Y WIRING / FRAME	1 [0.7]
10	FRONT BRAKE / FRONT FORK	6 [4.4] + low strenght threadlocker
11	CHAINGUIDE ALU PART / FRAME	4 [3] + low strenght threadlocker
12	CHAINGUIDE PLASTIC PART / ALU PART	4 [3] + low strenght threadlocker
13	SPEED SENSOR MAGNET / WHEEL SPOKES	< 2 [1.5] MAX + low strenght threadlocker
14	SEAT POST / SEAT	10 [7.4] + low strenght threadlocker

5

## EU – DECLARATION OF CONFORMITY

MANUFACTURER	PORSCHE EBIKE PERFORMANCE D.O.O.
ADDRESS	LJUBLJANSKA 7, 10431 SVETA NEDELJA, CROATIA
DESCRIPTION OF PRODUCT	GREYP G5.1, G5.2, G5.3, G6.4, G6.4 PRO, G6.5, G6.6 AND G6.6 PRO – PEDELEC (EPAC - ELECTRIC POWER ASSISTED CYCLE) GREYP G6.40, G6.40 PRO, G6.50, G6.60 AND G6.60 PRO – OFF-ROAD VEHICLE
NAME AND ADDRESS OF THE PERSON AUTHORISED TO COMPILE THE TECHNICAL FILE	BORNA KIŠPATIĆ, LJUBLJANSKA 7, 10431 SVETA NEDELJA, CROATIA
THE PLACE AND DATE OF THE DECLARATION;	12/06/2023, SVETA NEDELJA

WE HEREBY EXPRESSLY DECLARE THAT THE PRODUCTS LISTED ABOVE FULFIL ALL THE RELEVANT PROVISIONS OF THE:

MACHINERY DIRECTIVE (2006/42/EC), ELECTROMAGNETIC COMPATIBILITY (2014/30/EC), RADIO EQUIPMENT DIRECTIVE (2014/53/EU), LOW VOLTAGE DIRECTIVE (LVD) (2014/35/ EU), ROHS DIRECTIVE (2011/65/EU)



THE FOLLOWING HARMONIZING STANDARD WAS APPLIED TO THE G5.1, G5.2, G5.3, G6.4, G6.4 PRO, G6.5, G6.6 AND G6.6 PRO:

EN 15194:2017 BICYCLES – ELECTRICALLY POWER ASSISTED CYCLES – EPAC BICYCLES.


THE FOLLOWING STANDARD WAS USED FOR G5.1, G5.2, G5.3, G6.4, G6.4 PRO, G6.5, G6.6, G6.6 PRO, G6.40, G6.40 PRO, G6.50, G6.60 AND G6.60 PRO:

EN ISO 4210, EN ISO 12100:2010  
EN 62368-1:2014/AC FEB.:2015/A11:2017/ AC MAR.:2017  
EN 62311:2008, EN 301 489-1 V2.1.1 , EN 301 489-17 V3.1.1  
EN 301 489-19 V2.1.0 , EN 301 489-52 V1.1.0 ,  
EN 300 328 V2.1.1EN 301 893 V2.1.1 ,  
EN 301 511 V12.5., EN 301 908-1 V11.1.1 ,  
EN 301 908-2 V11.1.2, EN 301 908-13 V11.1.2,  
EN 303 413 V1.1.1

**KREŠIMIR HLEDE**

MANAGING DIRECTOR  
PORSCHE EBIKE PERFORMANCE D.O.O

# UKCA – DECLARATION OF CONFORMITY

<b>MANUFACTURER</b>	<b>PORSCHE EBIKE PERFORMANCE D.O.O.</b>
<b>ADDRESS</b>	LJUBLJANSKA 7, 10431 SVETA NEDELJA, CROATIA
<b>DESCRIPTION OF PRODUCT</b>	GREYP G5.1, G5.2, G5.3, G6.4, G6.4 PRO, G6.5, G6.6 & G6.6 PRO – PEDELEC (EPAC - ELECTRIC POWER ASSISTED CYCLE) GREYP G6.40, G6.40 PRO, G6.50, G6.60, G6.60 PRO & G6.X- ELECTRIC OFF-ROAD VEHICLE
<b>DATE AND PLACE ISSUED</b>	12.06.2023., SVETA NEDELJA
<b>THE NAME OF THE PERSON AUTHORISED TO SIGN ON BEHALF OF THE MANUFACTURER</b>	KREŠIMIR HLEDE, MANAGING DIRECTOR
<b>SIGNATURE OF THE PERSON AUTHORISED TO SIGN ON BEHALF OF THE MANUFACTURER</b>	

WE HEREBY EXPRESSLY DECLARE THAT THE PRODUCTS LISTED ABOVE FULFIL ALL THE RELEVANT PROVISIONS AND TAKE FULL RESPONSIBILITY FOR THE PRODUCT'S COMPLIANCE.

SUPPLY OF MACHINERY (SAFETY) REGULATIONS 2008, ELECTROMAGNETIC COMPATIBILITY REGULATIONS 2016, RADIO EQUIPMENT REGULATIONS 2017, ELECTRICAL EQUIPMENT (SAFETY) REGULATIONS 2016, THE RESTRICTION OF THE USE OF CERTAIN HAZARDOUS SUBSTANCES IN ELECTRICAL AND ELECTRONIC EQUIPMENT REGULATIONS 2012

**THE FOLLOWING STANDARD WAS USED FOR THE G5.1, G5.2, G5.3, G6.4, G6.4 PRO, G6.5, G6.6, G6.6 PRO, G6.40, G6.40 PRO, G6.50, G6.60, G6.60 PRO AND G6.X:**

EN ISO 4210, EN ISO 12100:2010, EN 15194:2017  
 EN 62368-1:2014/AC FEB.:2015/A11:2017/ AC MAR.:2017  
 EN 62311:2008, EN 301 489-1 V2.1.1, EN 301 489-17 V3.1.1  
 EN 301 489-19 V2.1.0, EN 301 489-52 V1.1.0,  
 EN 300 328 V2.1.1, EN 301 893 V2.1.1,  
 EN 301 511 V12.5., EN 301 908-1 V11.1.1,  
 EN 301 908-2 V11.1.2, EN 301 908-13 V11.1.2,  
 EN 303 413 V1.1.1

**UK REPRESENTATIVE'S NAME AND ADDRESS:**

**NAME:** RIDE ST ALBANS | **FUNCTION:** IMPORTER AND DISTRIBUTOR | **ADDRESS:** 318 WATFORD ROAD, CHISWELL GREEN ST ALBANS, HERTFORDSHIRE, AL2 3DP UNITED KINGDOM | **CONTACT PERSON:** MIKE NARRAMORE



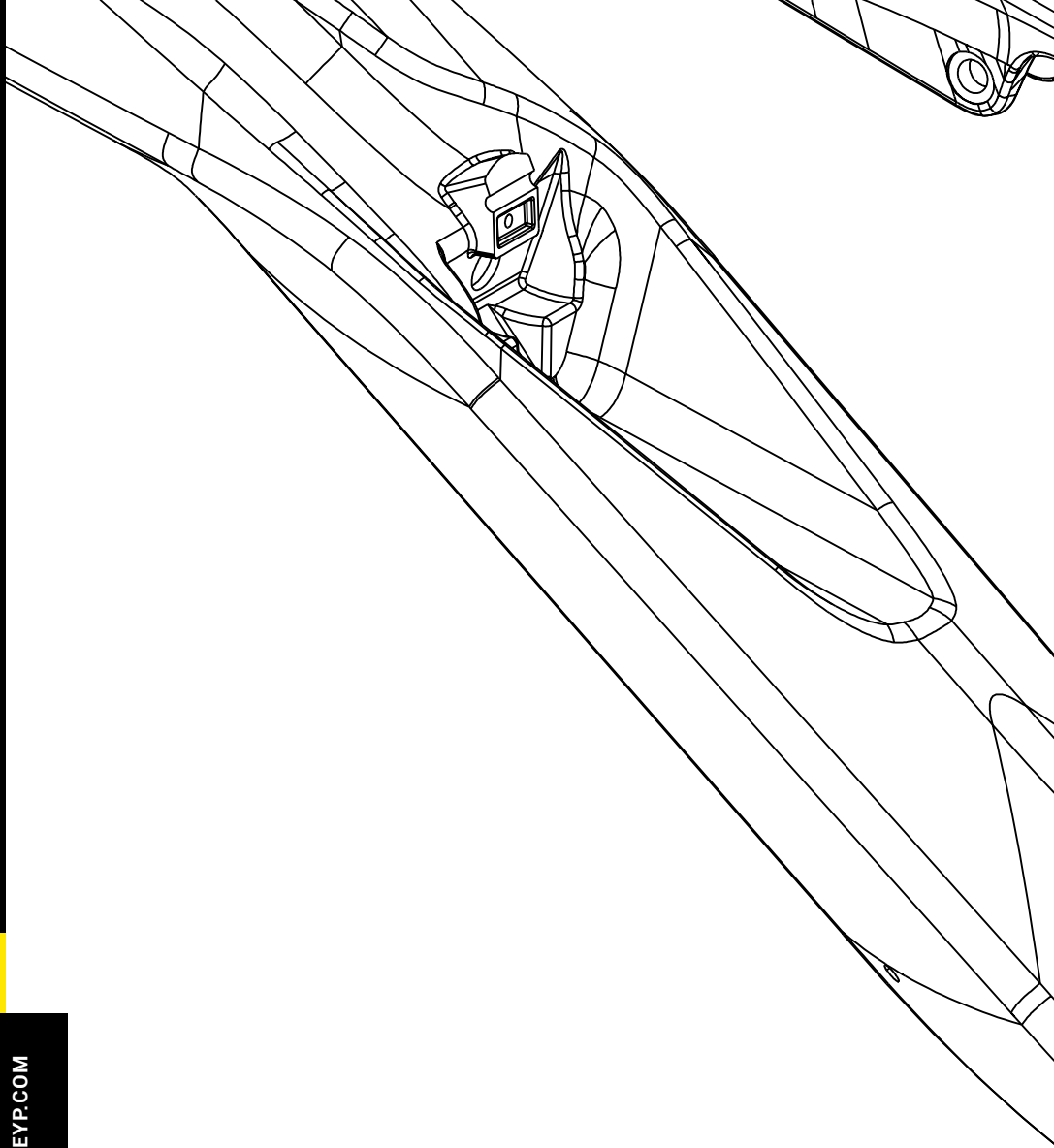
Since we are constantly working on improving our user experience, you can expect frequent mobile app updates

**FIND THE LATEST VERSION OF  
THE GREYP APP MANUAL  
ON OUR WEBSITE**

**WWW.GREYP.COM**



The Greyp mobile application  
is available on  
**Google PlayStore** and **AppStore**





# TECHNISCHES HANDBUCH – G-SERIE

---

DEUTSCH

# Inhalt

---

<b>1</b>	<b>EINLEITUNG</b>	<b>39</b>	Zusätzliche Anpassung	<b>46</b>	
	Haftungsausschluss	<b>39</b>	Vorderradaufhängung	<b>47</b>	
	Allgemeine Warnung	<b>40</b>	Zusätzliche Anpassung	<b>47</b>	
	Allgemeine Information	<b>40</b>	Empfohlener Reifendruck	<b>47</b>	
	Das maximal zulässige Gewicht	<b>41</b>	Maximaler Reifendruck	<b>48</b>	
	Out-of-Box-Montage	<b>42</b>	Reflektoren	<b>48</b>	
	EU-Besonderheiten	<b>45</b>			
	USA-Besonderheiten	<b>45</b>	<b>3</b>	<b>SYSTEM FUNKTIONEN</b>	<b>49</b>
<b>2</b>	<b>RIDINGALLGEMEINE HINWEISE ZUM FAHREN</b>	<b>46</b>	Fahrrad teile	<b>49</b>	
	Hinterradaufhängung (falls zutreffend)	<b>46</b>	Montageteile werden unmontiert geliefert	<b>50</b>	
			Funktionen der Steuereinheit	<b>51</b>	
			Einheiteninformationen anzeigen	<b>52</b>	

---

Ein	53	Montage/Demontage des Akkupacks	58
Standby-Modus an	53	Passende Ersatzteile	58
Standby-Modus aus	53		
Ausschalten	54	<b>4 FAHRRADWARTUNG UND REICHWEITE</b>	59
Gehunterstützungsmodus	54	Service und Wartung Zeitplan	59
Licht an/aus	54	Schaltempfehlungen	61
Joystick	55	Empfohlenes Anziehen Verbindungselemente	61
Unterstützungsstufe höher/niedriger	55		
Bildschirm „Info“ und „Fahrrad koppeln“.	56	<b>5 EU – KONFORMITÄTSERKLÄRUNG</b>	65
Manuelles Software-Update	56		
Retro-Video	57		



## 1

## Einführung

**Die Originalanleitung (Bedienungsanleitung/Gebrauchsanweisung) ist in englischer Sprache verfasst. Alle anderen Sprachen sind Übersetzungen der Originalanleitung (Bedienungsanleitung/Gebrauchsanweisung). Im Streitfall ist das Benutzerhandbuch in englischer Sprache maßgebend.**

Diese Bedienungsanleitung wurde nur für Ihr Greyp-Fahrrad entwickelt. Es enthält wichtige Sicherheits-, Leistungs- und technische Informationen, die Sie vor Ihrer ersten Fahrt lesen und zum Nachschlagen aufbewahren sollten. Sie sollten auch das gesamte Benutzerhandbuch lesen, da es zusätzliche wichtige allgemeine Informationen und Anweisungen enthält, die Sie befolgen sollten.

*Wenn Sie keine Kopie des Benutzerhandbuchs haben, laden Sie es bitte kostenlos unter [www.greyp.com](http://www.greyp.com) herunter oder erhalten Sie es bei Ihrem nächstgelegenen autorisierten Greyp-Händler. Im Falle von Abweichungen ist die englische Version maßgebend.*

### Haftungsausschluss

Jegliche Modifikationen des Fahrrads sind streng verboten und Porsche eBike Performance d.o.o. übernimmt keinerlei Haftung für die Folgen solcher Änderungen. Porsche eBike Performance d.o.o. gewährt keiner Partei ausdrücklich oder stillschweigend Patentrechte, Lizenzen oder andere IP-Rechte, weder in Bezug auf diese Informationen selbst noch auf alles, was durch solche Informationen beschrieben wird. Die von Porsche eBike Performance d.o.o. hierunter wird so, wie es ist, wo es ist und mit allen Fehlern bereitgestellt, und das gesamte mit solchen Informationen verbundene Risiko liegt vollständig beim Käufer. Die in diesem Dokument bereitgestellten Informationen sind Eigentum von Porsche eBike Performance d.o.o. und Porsche eBike Performance d.o.o. behält sich das Recht vor, jederzeit ohne Vorankündigung Änderungen an den Informationen in diesem Dokument oder an Produkten und Dienstleistungen vorzunehmen.

Sie sollten [www.greyp.com](http://www.greyp.com) auf Änderungen überprüfen, die im Benutzerhandbuch vorgenommen wurden.

## Allgemeine Warnung

Dieses Handbuch enthält viele „WARNUNGEN“ und „VORSICHTSMASSNAHMEN“ in Bezug auf die Folgen einer Nichtwartung oder -inspektion Ihres Fahrrads und einer Nichtbefolgung sicherer Fahrradpraktiken.

Die Kombination aus dem Sicherheitswarnsymbol und dem Wort WARNUNG weist auf eine möglicherweise gefährliche Situation hin, die, wenn sie nicht vermieden wird, zu schweren Verletzungen oder zum Tod führen kann.

Die Kombination aus dem Sicherheitswarnsymbol und dem Wort VORSICHT weist auf eine potenziell gefährliche Situation hin, die, wenn sie nicht vermieden wird, zu leichten oder mittelschweren Verletzungen führen kann, oder warnt vor unsicheren Praktiken.

Viele der WARNHINWEISE und VORSICHTSHINWEISE besagen, dass Sie die Kontrolle verlieren und stürzen können. Da jeder Sturz zu schweren Verletzungen oder sogar zum Tod führen kann, wiederholen wir nicht immer die Warnung vor möglichen Verletzungen oder Todesfällen.

Da es unmöglich ist, jede Situation oder jeden Zustand, der beim Fahren auftreten kann, vorherzusehen, gibt diese Bedienungsanleitung keine Zusicherung über die sichere Verwendung des Fahrrads unter allen Bedingungen. Mit der Nutzung eines Fahrrads sind Risiken verbunden, die nicht vorhersehbar oder vermeidbar sind und für die allein der Fahrer verantwortlich ist.

## Allgemeine Information

- » **EU** - *Das G6.1, G6.2, G6.4, G6.4 PRO, G6.5, G6.6, G6.6 PRO, G5.1, G5.2 und G5.3 sind Hochleistungsfahrräder.  
G6.3, G6.20, G6.40, G6.40 PRO, G6.40, G6.40 PRO, G6.50 und G6.60, G6.60 PRO sind Geländefahrzeuge und sollten nicht befahren werden öffentliche Straßen.*
- » **US** - *G6.1 (USA), G6.2 (USA), G6.4 (USA), G6.5 (USA), G6.6 (USA), G5.1 (USA), G5.2 (USA) und G5.3 (USA) sind Elektrofahrräder der KLASSE 1. G6.3 (USA), G6.20, G6.50 (USA) und G6.60 (USA) sind KLASSE 3 Elektrofahrräder.*

Die G-Serie ist für den Einsatz auf Schotter-, befestigten und nicht befestigten Wanderwegen (mit mehreren Wurzeln, Schwellen, Steinen und kleinen Gefällen) und rauherem, unbefestigtem Gelände mit Sprüngen und Gefällen von nicht mehr als 1 m (maximale Höhe) vorgesehen).

Die Motorunterstützung schaltet sich automatisch ab, wenn Sie eine Höchstgeschwindigkeit erreichen von: 25 km/h für G6.1, G6.2, G6.4, G6.5, G6.6, G5.1, G5.2 und G5.3; 32 km/h (20 mph) für G6.1 (US), G6.2 (US), G6.4 (US), G6.5 (USA), G6.6 (USA), G5.1 (USA), G5.2 (USA) und G5.3 (USA); 45 km/h (28 mph) für G6.3, G6.3 (US), G6.20, G6.20 (US), G6.50, G6.50 (USA), G6.60 und G6.60 (USA). Ein Führerschein oder eine Versicherung sind in der Regel nicht erforderlich. Unabhängig von seiner Klassifizierung bietet das Fahrrad nur beim Treten Motorunterstützung.



## DAS MAXIMAL ZULÄSSIGE GEWICHT

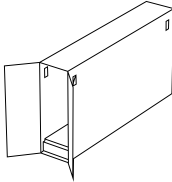
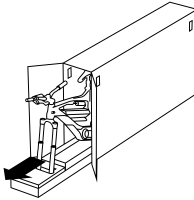
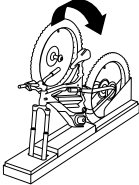
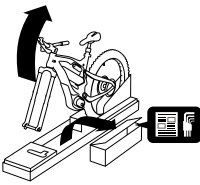
<b>FAHRZEUG</b>	<b>DAS ZULÄSSIGE GESAMTNUTZLASTGEWICHT (FAHRER + GEPÄCK) *</b>	<b>FAHRZEUGE- WICHT **</b>	<b>MAXIMAL ZULÄSSIGES GESAMTGEWICHT (FAHRZEUG + FAHRER + GEPÄCK)</b>
<b>G5.1 UND G5.1 (US)</b>	125.5 kg [276.7 lb]	24.5 kg [54 lb]	150 kg [330.7 lb]
<b>G5.2 UND G5.2 (US)</b>	126 kg [277.8 lb]	24 kg [52.9 lb]	150 kg [330.7 lb]
<b>G5.3 UND G5.3 (US)</b>	125.2 kg [276 lb]	24.8 kg [54.7 lb]	150 KG [330.7 lb]
<b>G6.1 UND G6.1 (US)</b>	125.5 kg [276.7 lb]	24.5 kg [54 lb]	150 kg [330.7 lb]
<b>G6.2, G6.20, G6.20 (US) UND G6.2 (US)</b>	125 kg [275.6 lb]	25 kg [55.1 lb]	150 kg [330.7 lb]
<b>G6.3 UND G6.3 (US)</b>	126 kg [277.8 lb]	24 kg [52.9 lb]	150 kg [330.7 lb]
<b>G6.4, G6.40, G6.4 PRO, G6.40 PRO UND G6.4 (US)</b>	124.6 kg [274.7 lb]	25.4 kg [56.0 lb]	150 kg [330.7lb]
<b>G6.5, G6.5 (US), G6.50 UND G6.50 (US)</b>	124 kg [273.4 lb]	26 kg [57.3 lb]	150 kg [330.7lb]
<b>G6.6, G6.60, G6.6 (US) G6.6 PRO, G6.60 PRO UND G6.60 (US)</b>	123.6 kg [272.5 lb]	26.4 kg [58.2 lb]	150 kg [330.7lb]

Hier finden Sie zusätzliche Sicherheits-, Leistungs- und Serviceinformationen für bestimmte Komponenten wie Federung, Bremsen oder Motor in den Herstellerrichtlinien.

\* Rahmengröße S hat ein um bis zu 0,2 kg höheres zulässiges Gesamtnutzlastgewicht, während Rahmengröße L ein um bis zu 0,2 kg niedrigeres zulässiges Gesamtnutzlastgewicht als in der Tabelle aufgeführt hat.

\*\* Rahmengröße S ist bis zu 0,2 kg leichter, Rahmengröße L bis zu 0,2 kg schwerer als in der Tabelle aufgeführt.

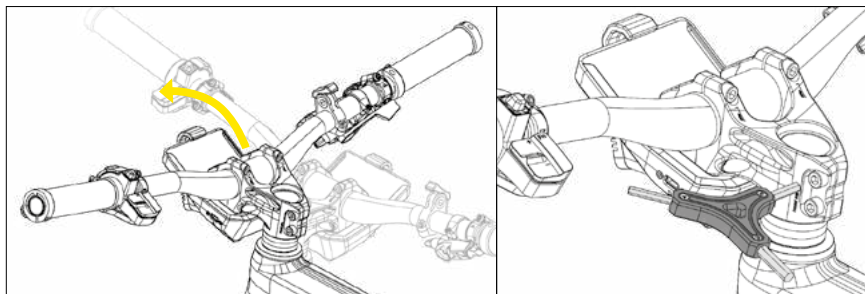
## Out-of-Box-Montage

<b>1</b>	<b>OFFENE BOX</b>	<b>2</b>	<b>FAHRRAD AUS</b>	<b>3</b>	<b>VORDERRAD</b>	<b>4</b>	<b>WERKZEUG-KASTEN</b>
							
Öffnen Sie die markierte Seite der Schachtel		Ziehen Sie das Fahrrad mit der Gabel heraus		Nehmen Sie das Vorderrad heraus		Hebe das Fahrrad an um Zugang zum Werkzeugkasten zu erhalten	

### LESEN SIE DAS BENUTZERHANDBUCH

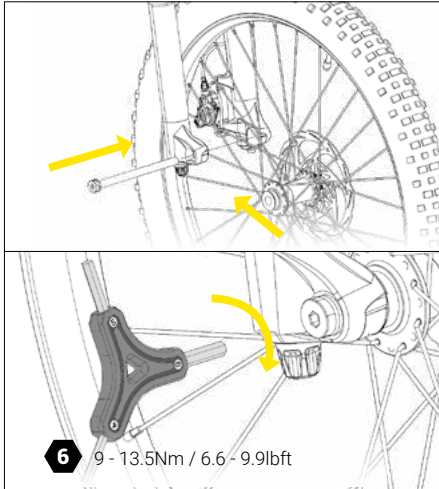
Wenn Sie nicht über das Wissen oder die Fähigkeit verfügen, den Greyp selbst zusammenzubauen, wenden Sie sich bitte an einen professionellen Mechaniker.

#### 5 LENKER POSITIONIERUNG

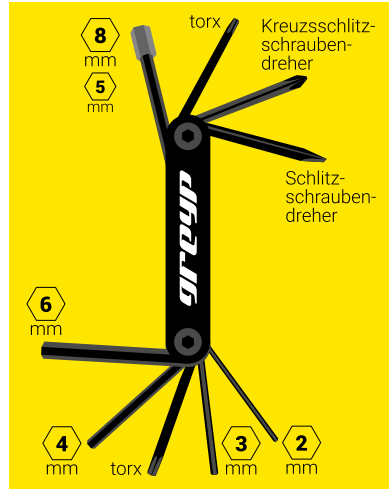


- 1. Drehen Sie den Lenker in seine natürliche Position ( $\approx 90^\circ$  zum Rahmen, „mittig“).**
- Ziehen Sie die beiden Schrauben am Vorbau mit dem gelieferten Werkzeug (Sechskantschlüssel Nr. 5) leicht an.

## 6 VORDERRADBEFESTIGUNG



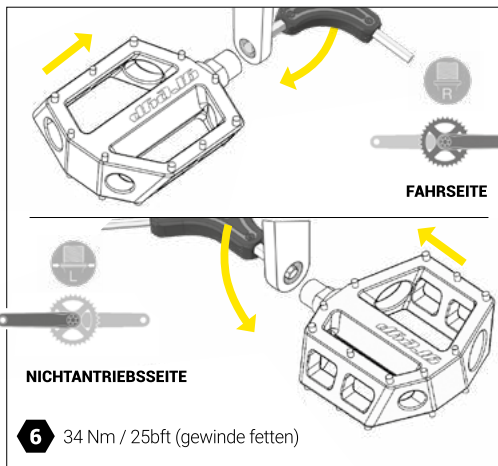
## WERKZEUG



**1.** Führen Sie Ihr **Laufrad in die Gabel** und führen Sie die Bremscheibe zwischen die Bremsbeläge.

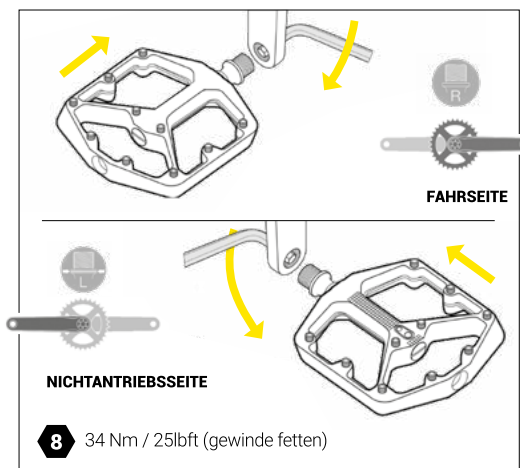
**2. Achse festziehen** - Richten Sie Ihre Nabe mit den Löchern an der Unterseite Ihrer Gabel aus. Überprüfen Sie, auf welcher Seite der Gabel ein Gewinde ist, und schieben Sie die Achse von der gegenüberliegenden Seite hinein. Drehen Sie den gelieferten Sechskantschlüssel Nr. 6 aus dem Multi Tool Werkzeug Set im Uhrzeigersinn, um die Achse in die Gabel einzuschrauben.

## 7 PEDALMONTAGE (G6.1, G6.2, G6.4, G6.5, G6.6)



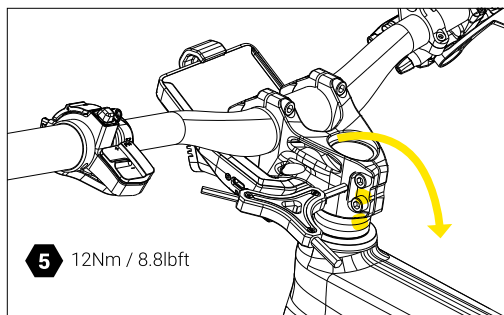
**1.** Pedale aus dem Karton nehmen, Gewinde fetten und mit dem gelieferten Werkzeug (Sechskantschlüssel Nr. 6) festziehen (siehe Bild oben).

**2.** Achten Sie beim Anziehen auf die Drehrichtung. Das Gewinde am rechten Pedal ist rechtsgängig (Standard). Die Drehrichtung zum Anziehen ist gegen den Uhrzeigersinn. Das Gewinde am linken Pedal ist linksgängig, daher ist die Drehrichtung beim Anziehen im Uhrzeigersinn.

**PRÜFEN (G6.3)**

**1.** Nehmen Sie die Pedale aus der Verpackung, fetten Sie das Gewinde und ziehen Sie sie mit dem Werkzeug fest (L-förmiger 8-Zoll-Inbusschlüssel - siehe Bild).

**2.** Achten Sie beim Anziehen auf die Drehrichtung. Das Gewinde am rechten Pedal ist rechtsgängig (Standard). Die Drehrichtung zum Anziehen ist gegen den Uhrzeigersinn. Das Gewinde am linken Pedal ist linksgängig, daher ist die Drehrichtung beim Anziehen im Uhrzeigersinn.

**8 LENKERHALTERUNG**

**1.** Lösen Sie leicht die 2 Schrauben am Vorbau. Ziehen Sie die obere Kappe (Steuersatzschraube) mit dem Sechskantschlüssel Nr. 5 mit 6 Nm an.

**2. Zentrieren und ziehen** Sie die 2 Schrauben am Vorbau fest. Der einfachste Weg, alles „zentriert“ zu bekommen, ist, sich vor das Fahrrad zu stellen und das Vorderrad zwischen Füßen und Beinen zu halten. Ziehen Sie die 2 Schrauben am Vorbau (Steuersatzschraube) mit 12 Nm an..

**9 ÜBERPRÜFEN**

**Greifen Sie die Vorderradbremse und verwenden Sie die Stangen, um das Fahrrad nach vorne zu schieben / zu stoßen.** Wenn Sie das Gefühl haben, dass der Steuersatz locker ist (ein klirrendes Geräusch oder eine andere Bewegung als das vom Boden abhebende Hinterrad), ziehen Sie die obere Kappe fest, aber achten Sie darauf, wie fest Sie sie anziehen (Sechskantschlüssel Nr. 5). Die obere Kappenschraube bestimmt, wie locker oder fest Ihr Steuersatz ist, daher spielt sie eine wichtige Rolle für die Lenkung und das Gefühl Ihres Fahrrads. Ziehen Sie die Schraube nach und nach und zwischen jeder Umdrehung ein wenig an.

Sobald die Lockerheit im Headset verschwunden ist, sollte es fest genug sein. Drehen Sie den Lenker nach links und rechts, um sicherzustellen, dass er sich noch reibungslos bewegt. Wenn die Bewegung eng ist, sind Sie zu weit gegangen. Drehen Sie die Schaftkappe um eine viertel bis halbe Umdrehung zurück und versuchen Sie es erneut. Sobald der Steuersatz nicht locker ist und sich der Lenker reibungslos dreht, müssen Sie das Werkzeug (Sechskantschlüssel Nr. 5) nehmen und die beiden Schrauben am Vorbau festziehen (siehe Bild).

**Drehen Sie Ihr Fahrrad um und drehen Sie Ihr Rad:** Indem Sie Ihr Rad drehen, stellen Sie sicher, dass Ihre Bremsbeläge nicht an der Bremsscheibe reiben. Wenn sich Ihr Laufrad nicht dreht, könnte es in den Ausfallenden der Gabel schief sitzen. Drehen Sie Ihr Fahrrad zurück, lösen Sie Ihre Achse, drücken Sie das Rad nach unten und ziehen Sie die Achse wieder fest.

## EU-SPEZIFIKATIONEN

	<b>RADIO FREQUENZ BAND</b>	<b>MAXIMALE RADIO FREQUENZ LEISTUNG</b>
1	EGSM900	35 dBm
2	GSM1800	32 dBm
3	GSM 900 8-PSK	30 dBm
4	GSM 1800 8-PSK	29 dBm
5	LTE FDD BD1, BD3, BD7, BD8, BD20	25 dBm
6	UMTS WCDMA FDD BDI, BDIII, BDVIII	25 dBm
7	WIFI 4.9 GHZ TO 5.8 GHZ	18 dBm
8	WIFI 2.4 GHZ TO 2.5 GHZ	18 dBm
9	BLUETOOTH 2.4 GHZ	12 dBm

## USA-SPEZIFIKATIONEN

Dieses Gerät entspricht Teil 15 der FCC-Bestimmungen. Der Betrieb unterliegt den folgenden zwei Bedingungen: (1) Dieses Gerät darf keine schädlichen Interferenzen verursachen, und (2) dieses Gerät muss alle empfangenen Interferenzen akzeptieren, einschließlich Interferenzen, die einen unerwünschten Betrieb verursachen können.

Enthält FCC-IDs: QIPPLS8-USR4, Z64-WL18SBMOD

**HINWEIS** — Dieses Gerät wurde getestet und entspricht den Grenzwerten für ein digitales Gerät der Klasse B gemäß Teil 15 der FCC-Bestimmungen. Diese Grenzwerte sollen einen angemessenen Schutz vor schädlichen Interferenzen bei einer Installation in Wohngebieten bieten. Dieses Gerät erzeugt, verwendet und kann Hochfrequenzenergie ausstrahlen und kann, wenn es nicht gemäß den Anweisungen installiert und verwendet wird, schädliche Störungen des Funkverkehrs verursachen. Es gibt jedoch keine Garantie dafür, dass bei einer bestimmten Installation keine Interferenzen auftreten. Wenn dieses Gerät schädliche Störungen beim Radio- oder Fernsehempfang verursacht, was durch Ein- und Ausschalten des Geräts festgestellt werden kann, wird dem Benutzer empfohlen, zu versuchen, die Störung durch eine oder mehrere der folgenden Maßnahmen zu beheben:

- » *Richten Sie die Empfangsantenne neu aus oder verschieben Sie sie;*
- » *Vergrößern Sie den Abstand zwischen Gerät und Empfänger;*
- » *Schließen Sie das Gerät an eine Steckdose an, die sich in einem anderen Stromkreis als dem des befindeten Empfängers angeschlossen ist;*
- » *Wenden Sie sich an den Händler oder einen erfahrenen Radio-/Fernsehtechniker, um Hilfe zu erhalten.*



**VORSICHT** - Änderungen oder Modifikationen, die nicht ausdrücklich vom Verantwortlichen genehmigt wurden für die Einhaltung kann die Berechtigung des Benutzers zum Betrieb des Geräts erlöschen.

# 2

## Allgemeine Hinweise zum Reiten

### SUSPENSION

#### Hinterradaufhängung (falls zutreffend)

Der Durchhang der Aufhängung kann verwendet werden, um die richtige Federrate der Aufhängung für den Fahrer einzustellen. Der Sag ist der Betrag (Prozentsatz), um den sich die Federung zusammendrückt, wenn der Fahrer einschließlich der Fahrausrüstung in Fahrposition auf dem Fahrrad sitzt. Die Einstellung des richtigen Durchhangs ermöglicht es den Rädern, die Traktion aufrechtzuerhalten, ohne zu viel Federweg zu verwenden, der für die Stoßdämpfung reserviert ist. Mehr durchhang erhöht die Empfindlichkeit bei kleinen Unebenheiten, während weniger Durchhang die Empfindlichkeit bei kleinen Unebenheiten verringert. Stellen Sie den Federdurchhang ein, bevor Sie andere Abstimmungseinstellungen vornehmen.

Bevor Sie den Durchhang einstellen, stellen Sie die Dämpfer auf die vollständig geöffneten Positionen. Drehen Sie die Einsteller bis zum Anschlag gegen den Uhrzeigersinn. Stellen Sie den Dämpfer auf die offene Position. Beginnen Sie mit vollständig entleertem Dämpfer und beaufschlagen Sie die Luftfederkammer mit einem Druck von 100 psi. Komprimieren Sie die Suspension nicht mit angeschlossener Pumpe. Drücken Sie den Dämpfer fünfmal vollständig zusammen, um die positiven und negativen Luftfedern auszugleichen. Drücken Sie den Dämpfer erneut zusammen, um den Luftdruck auszugleichen. Steigen Sie mit angezogener Fahrausrüstung und einem Assistenten, der das Fahrrad hält, auf das Fahrzeug und fahren Sie den Dämpfer zwei- bis dreimal leicht durch.

Lassen Sie, während Sie auf dem Fahrrad sitzen, einen Helfer den Durchhang-O-Ring gegen die Abstreiferdichtung schieben. Steigen Sie vorsichtig vom Fahrzeug ab, ohne den Dämpfer zu komprimieren. Beachten Sie den prozentualen Durchhang dort, wo der O-Ring aufgehört hat. Normalerweise beträgt der Sag-Prozentsatz für Stoßdämpfer etwa 25% - 35%. Der Sag kann nach Belieben auf  $\pm 5\%$  eingestellt werden. Wenn Ihr Ziel-Sag-Prozentsatz nicht erreicht wird, muss der Luftdruck angepasst werden. Erhöhen Sie den Luftdruck, um den Durchhang zu verringern. Verringern Sie den Luftdruck, um den Sag zu erhöhen.

#### Zusätzliche Anpassung

Abhängig vom genauen Modell des Stoßdämpfers können verschiedene Einstellungen

vorgenommen werden, und einige davon sind Zugstufe, Kompression bei niedriger Geschwindigkeit, Kompression bei hoher Geschwindigkeit, Schwellenwert, Sperre und andere. Für weitere Informationen wenden Sie sich bitte an Ihren Greyp-Händler oder besuchen Sie die Website des Stoßdämpferherstellers.

## Vorder radaufhängung

Die Zugstufendämpfung steuert die Ausfahr-/Rücklaufgeschwindigkeit der Federgabel, was sich auf Traktion und Kontrolle auswirkt. Die optimale Zugstufendämpfung ermöglicht es der Gabel, mit kontrollierter Geschwindigkeit auszufahren und Traktion und Kontrolle beizubehalten. Ein zu schneller Rückprall führt dazu, dass die Gabel zu schnell ausfährt, was dazu führt, dass das Laufrad von Gegenständen und dem Boden abbrillt, was zu einem Pogo-Effekt führt. Ein zu langsamer Rückstoß verhindert, dass die Gabel schnell genug ausfährt, um den Bodenkontakt wiederzuerlangen oder sich auf den nächsten Aufprall vorzubereiten. Die Zugstufendämpfung kann auf das Fahrergewicht, die Federrate und den Federweg sowie auf das Gelände und die Vorlieben des Fahrers abgestimmt werden. Wenn der Luftdruck oder die Federrate zunimmt, nimmt die Ausfahr-/Rückstellgeschwindigkeit zu. Um die optimale Einstellung zu erreichen, muss die Zugstufendämpfung möglicherweise erhöht werden, wenn der Luftdruck oder die Federrate zunimmt.

## Zusätzliche Anpassung

Abhängig vom genauen Modell der Gabel können verschiedene Einstellungen vorgenommen werden, und einige davon sind Zugstufe, Kompression bei niedriger Geschwindigkeit, Kompression bei hoher Geschwindigkeit, Lockout und andere. Für weitere Informationen wenden Sie sich bitte an Ihren Greyp-Händler oder besuchen Sie die Website des Gabelherstellers. Normalerweise befindet sich an der Gabelkrone ein Niveau- oder Mutterversteller, mit dem Sie durch Drehen die Gabeldämpfung weicher oder härter machen können.

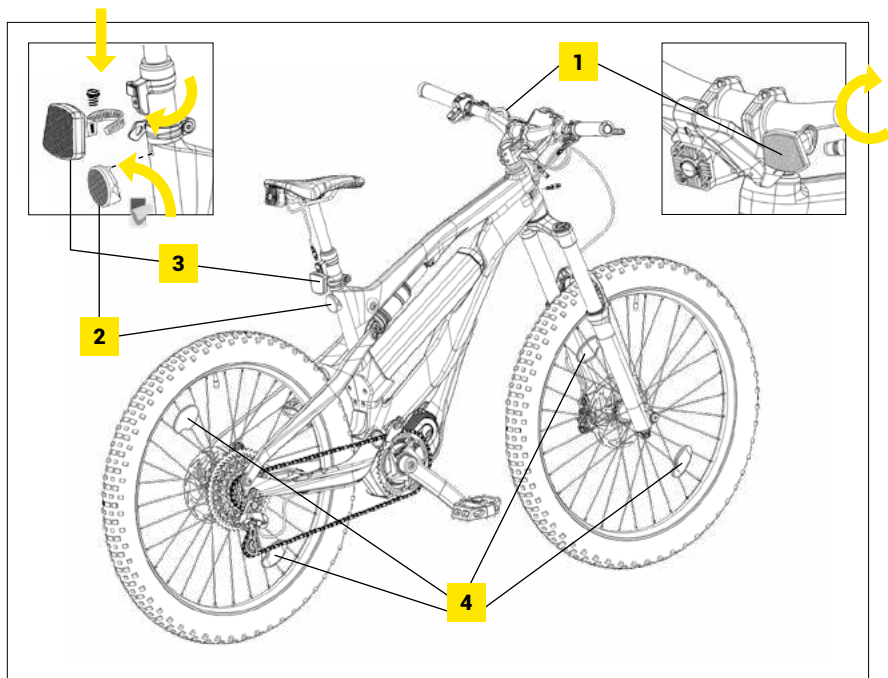
## Empfohlener Reifendruck



**WARNUNG** – Wenn die maximalen Druckwerte in diesem Handbuch und den Werten auf der Seitenwand eines Reifens in irgendeiner Weise unterschiedlich sind, beziehen Sie sich bitte auf die Werte, die auf der Seitenwand des Reifens oder auf dem Rad (je nachdem, was am niedrigsten ist) angegeben sind. Pumpen Sie einen Reifen niemals über den auf der Seitenwand des Reifens markierten Höchstdruck auf. Das Überschreiten des empfohlenen Maximaldrucks kann den Reifen von der Felge blasen, was zu Schäden am Fahrrad und Verletzungen des Fahrers und/oder umstehender Personen führen kann.

**Maximaler Reifendruck (bitte Warnung in diesem Kapitel lesen):**

FAHRRAD	VORDER RAD	HINTER REIFEN
G6.1, G6.2, G6.3, G6.4	2.6 bar (38 psi)	2.6 bar (38 psi)
G5.1	2.1 bar (30 psi)	2.1 bar (30 psi)
G5.2	3.5 bar (50 psi)	3 bar (45 psi)
G5.3, G6.5, G6.6	3.0 bar (45 psi)	3.0 bar (45 psi)

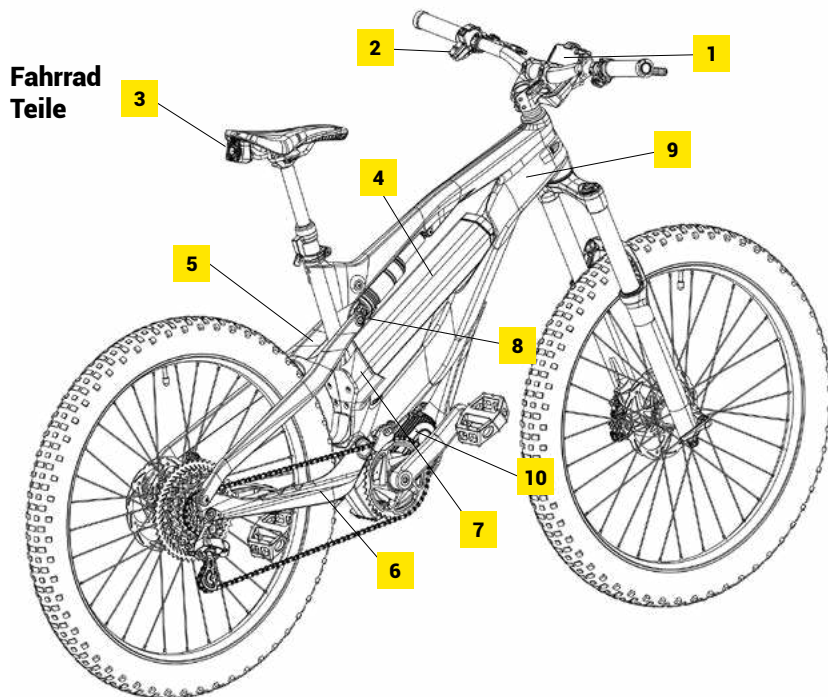
**REFLEKTOREN**

	NAME/BESCHREIBUNG
1	VORDERER REFLEKTOR 313/5K
2	RÜCKSTRAHLER 314/1
3	HECKRÜCKSTRAHLER 313/1ZB
4	SPEICHENREFLEKTOR 309 (M); (USA - RR-530-WUW)



## 3

## System Funktionen



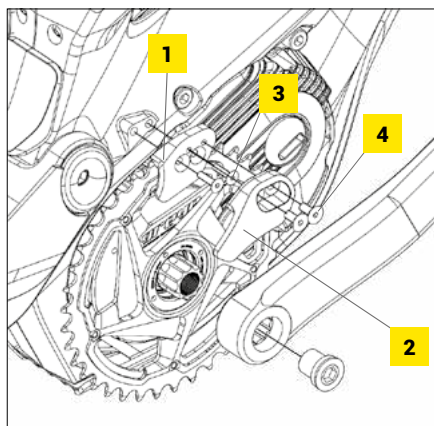
## FAHRRAD TEILE

## NAME/BESCHREIBUNG

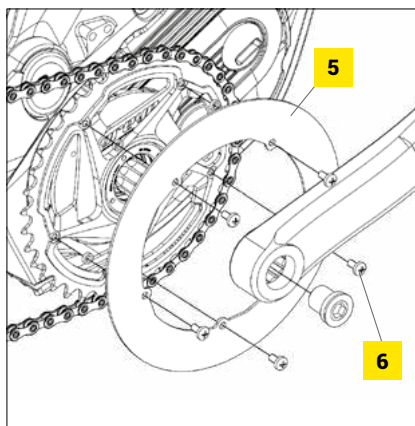
1	ANZEIGEEINHEIT (CIM)	6	KETTENSTREBE
2	STEUERGERÄT (CBC)	7	DRÜCKER
3	HINTERE KAMERA (ABER)	8	VERHÄLTNISHEBEL
4	BATTERIE	9	RAHMEN
5	SITZSTREBE	10	MOTOR

## Montageteile werden unmontiert geliefert

**!** **VORSICHT** – Verwenden Sie die Kettenführung und den Kettenschutz nicht gleichzeitig.



**Kettenführung – nur mit positiver Fußhalterung an den Pedalen verwenden**

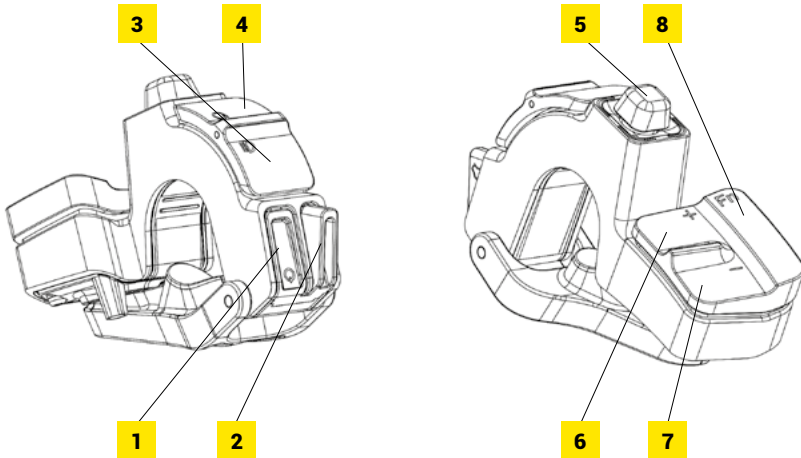


**Kettenführung**

### KETTENFÜHRUNG ODER KETTENSCHUTZHALTERUNG

	NAME/BESCHREIBUNG	DREHMOMENT, Nm [lb ft]
1	KETTENFÜHRUNG ALUMINIUMTEIL	-
2	CKETTENFÜHRUNG KUNSTSTOFFTEIL	-
3	DIN 7991 M5X18	4 [3] + Gewindegewissicherung mit geringer Festigkeit
4	DIN 7991 M5X12	4 [3] + Gewindegewissicherung mit geringer Festigkeit
5	CHAINGUARD	-
6	ISO 7045 M4X8	4 [3]

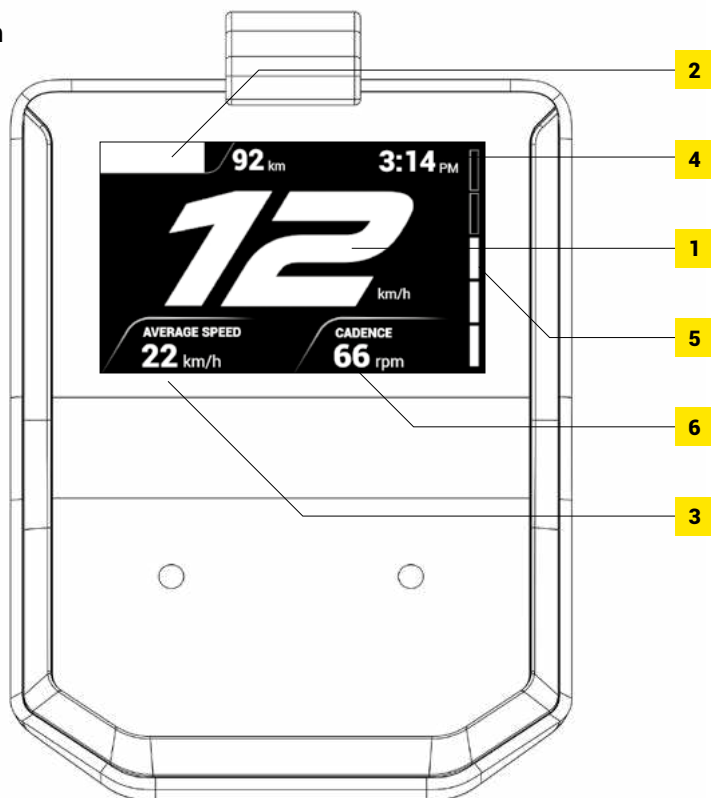
## Funktionen der Steuereinheit



### LEGENDE

NAME/BESCHREIBUNG	SYMBOL	FUNKTION	TYP
1 LEISTUNG		EIN/AUS UND STANDBY	LANG/KURZ DRÜCKEN
2 WALK ASSIST		WALK ASSIST	DRÜCKEN & HALTEN
3 LICHT		EIN-/AUSSCHALTEN DER VORDEREN UND HINTEREN SIGNALLEUCHTEN	KURZ DRÜCKEN
4 RETRO VIDEO		ZEIGT DIE LETZTEN 30 SEKUNDEN IHRER FAHRT AUF	
5 JOYSTICK		WECHSELN ZWISCHEN ANZEIGE FUNKTIONEN	KURZ IN ALLE RICHTUNGEN DRÜCKEN
6 UNTERSTÜTZUNGSLEVEL ERHÖHEN		NIVEAU ERHÖHEN VON HILFE	KURZ DRÜCKEN
7 UNTERSTÜTZUNGSEBENE NIEDER		DECREASE LEVEL OF ASSISTANCE	KURZ DRÜCKEN
8 FUNKTION		VERSCHIEDENE FUNKTIONALITÄTEN (SIEHE NÄCHSTE SEITEN)	

## Bild chirm



## CIM-ANZEIGESCHNITT STELLE

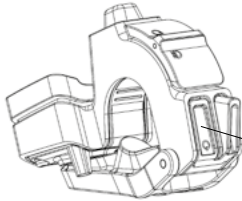
## NAME/BESCHREIBUNG

- |   |  |
|---|--|
| 1 | GESCHWINDIGKEIT                        |
| 2 | BATTERIELADUNG / VERBLEIBENDER ABSTAND |
| 3 | FAHRSTATISTIK                          |
| 4 | ZEIT                                   |
| 5 | UNTERSTÜTZUNGSSTUFE                    |
| 6 | KADENZ                                 |

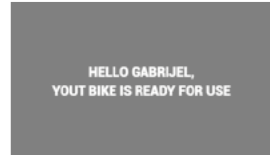
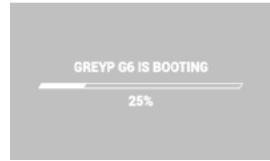
## Ein



Um das Fahrrad einzuschalten, drücken Sie lange auf die Einschalttaste

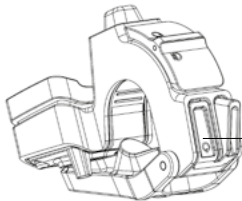


**Lange drücken**

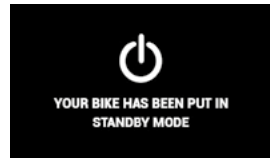


## Standby-Modus an

Um Ihr Fahrrad in den Standby-Modus zu versetzen, drücken Sie kurz die Einschalttaste

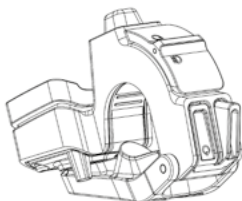


**Kurz drücken**

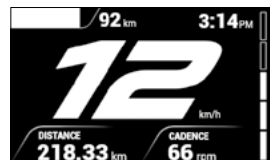


## Standby-Modus aus

Um das Fahrrad aus dem Standby-Modus aufzuwecken, drücken Sie eine beliebige Taste auf der Steuereinheit oder bewegen Sie das Fahrrad



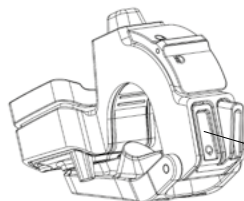
**Drücke irgend einen Knopf**



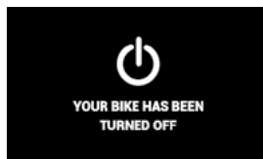
## Ausschalten



Um das Fahrrad auszuschalten, drücken Sie lange auf die Einschalttaste



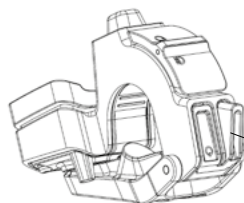
Lange drücken



## Gehunterstützungs modus



Um den Gehhilfemodus zu aktivieren, halten Sie die Gehhilfetaste gedrückt

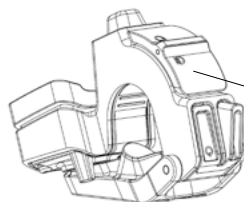


Drücken und halten

## Licht an/aus



Um das Licht ein- oder auszuschalten, drücken Sie kurz die Lichttaste



Kurz drücken

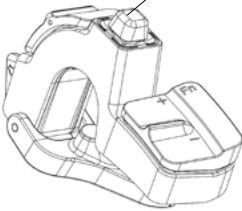
## Joystick



Um zwischen verschiedenen Informationen auf der Anzeigeeinheit umzuschalten, bewegen Sie den Joystick nach oben oder unten

- » TRIP
- » KILOMETERZÄHLER
- » DURCHSCHNITTSGESCHWINDIGKEIT
- » TRIP ZEIT

Nach oben/unten bewegen

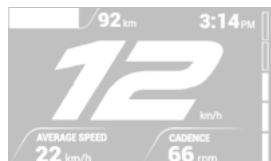
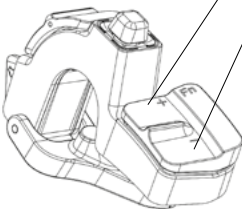


## Unterstützungsstufe höher/niedriger




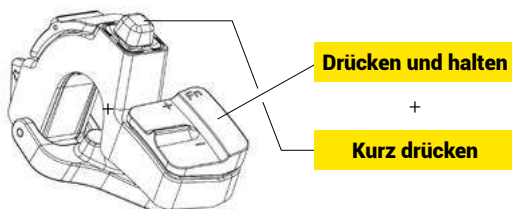
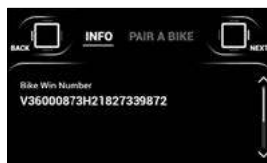
Um die Unterstützungsstufe zu ändern, drücken Sie kurz die Plus- oder Minus-Taste für die Unterstützungsstufe


Kurz drücken, um um eine Stufe zu wechseln

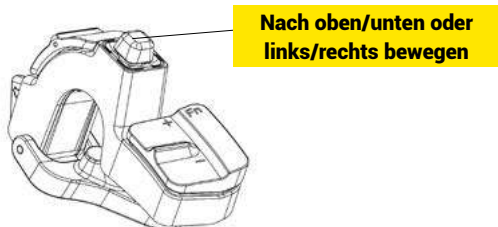
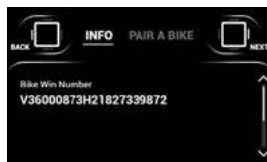


## Bildschirm „Info“ und „Fahrrad koppeln“.


**Fn** +  Um auf den Info-Bildschirm zuzugreifen, Verwenden Sie eine Kombination von Tasten.

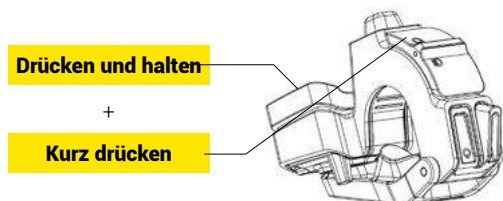


 Bewegen Sie den Joystick nach oben oder unten, um innerhalb des Bildschirms zu scrollen, oder bewegen Sie den Joystick nach links/rechts, um zwischen den Bildschirmen zu wechseln.



## Manuelles Software-Update

**Fn** +  Verwenden Sie eine Tastenkombination, um das Software-Update zu starten. Stellen Sie sicher, dass Ihr Fahrrad an ein Ladegerät angeschlossen ist und dass es mit Ihrem persönlichen Hotspot verbunden ist.

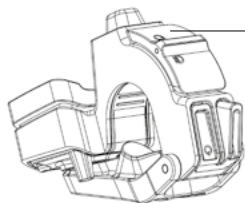




## Retro video

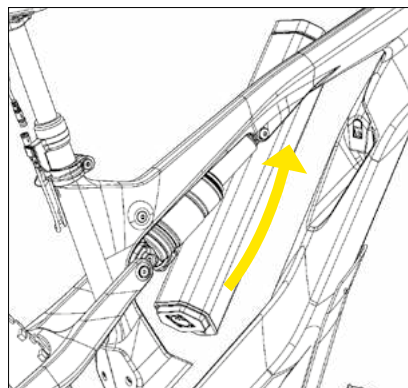
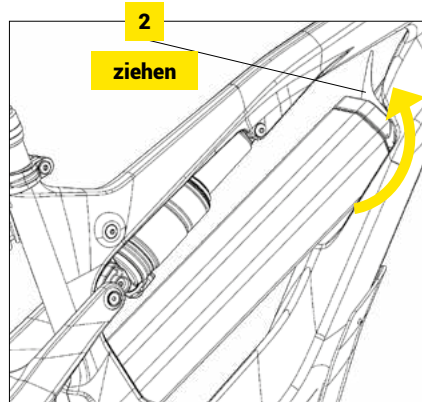
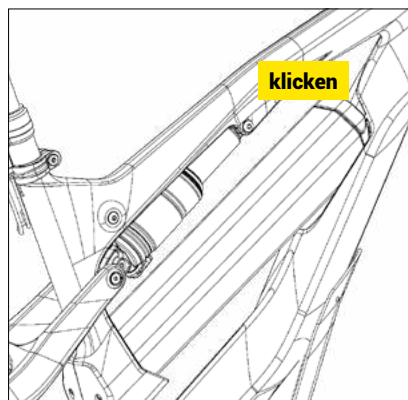
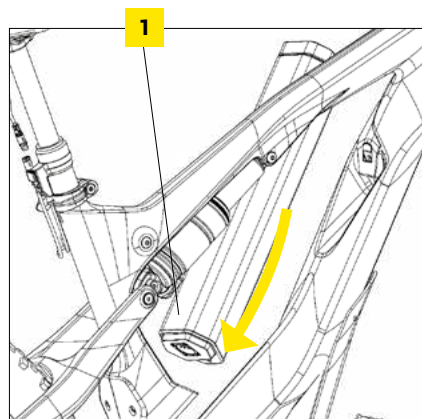


Zeichnet die letzten 30 Sekunden der Fahrt auf Ihrem Fahrrad auf. Laden Sie Ihre Retro-Videos mit der Greyp-App herunter.  
Erfahren Sie mehr über Retro-Video im [App-Handbuch](#).



**Kurz drücken**

## Ein-/Ausbau des batterie packs



**MONTAGE/DEMONTAGE DES BATTERIEPACKS****NAME/BESCHREIBUNG**

1 BATTERIE

2 BATTERIE SCHLOSS

**Passende Ersatzteile:**

<b>FAHRRAD</b>	<b>TYRES</b>	<b>BRAKES</b>	<b>ROTORS</b>	<b>INNER TUBE</b>	
<b>G6.1</b>	Schwalbe Nobby Nic Magic Maria vorne und hinten 27,5" x 2,80"		Formula Six Bolt 203 mm [8"] vorne 180mm [7"] Hinten	27.5+ x 2.8	
<b>G6.2</b>			Formula Six Bolt 203 mm [8"] vorne 180mm [7"] Hinten		
<b>G6.3</b>			Formula Six Bolt 203 mm [8"] vorne 180mm [7"] Hinten		
<b>G6.4</b>	Vorne Johnny Watts 27,5" x 2,60" Schwalbe Johnny hinten Watts, Nobby Nic, Eddy Aktuell 27,5" x 2,60"		Formula Six Bolt 203 mm [8"] vorne 180mm [7"] Hinten	27.5+ x 2.6	
<b>G6.5</b>	Vorne Schwalbe Nobby Nic Und Eddy Current, 29 x 2.60" Hinten Schwalbe Johnny Watts, Nobby Nic, Eddy Current 27.5" x 2.60"		Formel Cura Und Formel Cura 4	Formula Six Bolt 203mm [8"] vorne 203mm [8"] Hineten	Vorne 29" x 2.6" Hinten 27.5+ x 2.6"
<b>G6.6</b>	Vorne Schwalbe Nobby Nic Und Eddy Current, 29" x 2.60" Hinter Schwalbe Johnny Watts, Nobby Nic, Eddy Current 27.5" x 2.60"				Vorne 29" x 2.6" Hinten 27.5+ x 2.6"
<b>G5.1</b>	Vorne WTB Vigilante 29" x 2.60" Hinten WTB Trail Boss G2 27.5" (650b) x 2.6"			Formula Six Bolt 180mm [7"] Vorne 180mm [7"] Hinten	Vorne 29" x 2.6" Hinten 27.5+ x 2.6"
<b>G5.2</b>	Vorne Schwalbe Nobby Nic 29" x 2.35" Hinten Schwalbe Nobby Nic 27.5" x 2.60"			Formula Six Bolt 203mm [8"] Vorne 203mm [8"] Hinten	Vorne 29" x 2.35" Hinten 27.5+ x 2.6"
<b>G5.3</b>	Vorne Pirelli Scorpion E-MTB S 29" x 2.60" Hinten Pirelli Scorpion E-MTB S 27.5" x 2.60"			Formula Six Bolt 203mm [8"] Vorne 203mm [8"] Hinten	Vorne 29" x 2.35" Hinten 27.5" x 2.60"

## 4

## Fahrradpflege und Reichweite

### Service - und Wartungsplan

KOMPONENT	WAS ZU TUN IST	VOR JEDER FAHRT	MON-ATLICH	JÄHR-LICH	ANDERE
KETTE	Prüfen und ggf. schmieren	X			
KETTE	Ersetzen				nach 1000 km oder früher, falls erforderlich
KASSETTE UND KETTENRING	Ersetzen				nach 3000 km oder früher, falls erforderlich
REIFEN	Druck, Lauffläche und Seitenwände prüfen	X			
REIFEN					Nach 3 Jahren oder an Tragespuren
INNENSCHLÄUCHE	Ersetzen			X	
VORDERE UND HINTERE NABE BEARINGS	Auf Spiel		X		
BREMSBELAGSATZ	Auf Verschleiß prüfen	X			
BREMSBELAGSATZ	Ersetzen			X	
BREMSSCHEIBEN-ROTOR	Auf Verschleiß und Rundlauf prüfen	X			
BREMSEN	Auf Lecks prüfen	X			

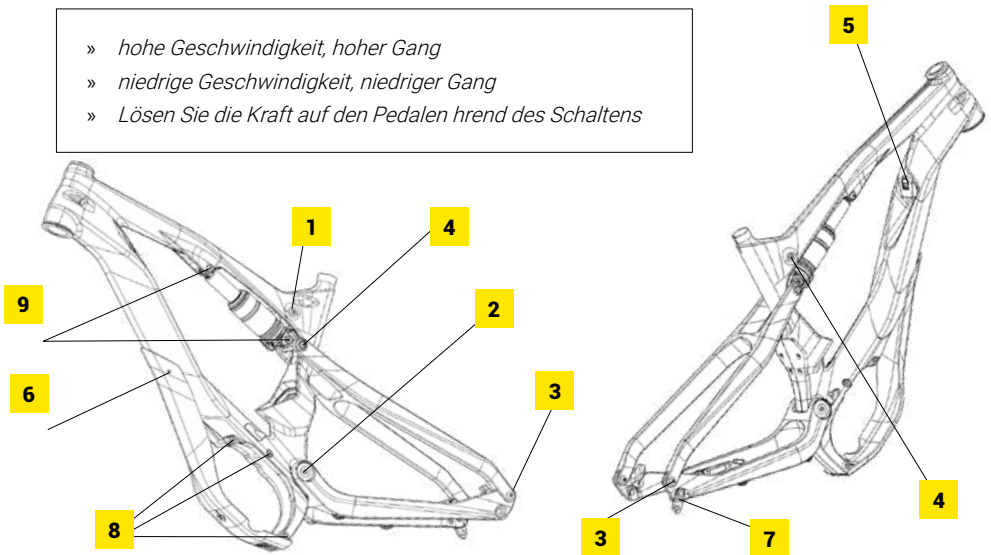
BREMSFLÜSSIGKEIT	Veränderung				Wie vom Hersteller angegeben
SUSPENSION	Service				Wie vom Hersteller angegeben
SCHRAUBEN UND MUTTERN	Prüfen und ggf. nachziehen		X		
KABEL UND GEHÄUSE	Ersetzen			X	
HEADSET	Auf Spiel prüfen und ggf. nachfetten		X		
LENKER	Prüfen und ggf. ersetzen			X	
BELEUCHTUNG	Prüfen	X			
PEDALE	Auf Spiel prüfen		X		
STECKACHSEN	Prüfen und ggf. nachziehen	X			
STEM	Zerlegen und reinigen			X	
RÄDER/ SPEICHEN	Auf Rundlauf und Spannung prüfen		X		
SATTELSTÜTZE	Demontieren, reinigen und Sandpaste (für Carbon) auf den Kontakt mit dem Rahmen auftragen			X	
STOSSSCHRAUBEN	Zerlegen, reinigen und Silikonpaste auf Kontakt mit Rahmen auftragen				Nach 1000 km oder früher, falls erforderlich
AUSSTEIGEN	Demontieren, reinigen und Silikonpaste auf den Kontakt mit dem Rahmen auftragen				Nach 3000 km oder früher, falls erforderlich
MOTORSCHRAUBEN	Demontieren, reinigen und Silikonpaste auf den Kontakt mit dem Rahmen auftragen				Nach 1000 km oder früher, falls erforderlich
MOTOR-KURBELKONTAKT	Demontieren, reinigen und schmieren Sie das Fahrrad			X	

## Schaltempfehlungen

Für eine bessere Reichweite empfiehlt Greyp, entsprechend Ihrer Geschwindigkeit zu schalten. Für niedrige Geschwindigkeiten ist eine niedrige Übersetzung am besten. Je höher die Geschwindigkeit, desto höher der wählbare Gang. Für sanfte Unterstützung und optimale Reichweite ist es am besten, den Pedaldruck während des Gangwechsels zu lösen.

**Schalten Sie immer nur einen Gang. Achten Sie beim Schalten darauf, dass Sie die Kraft freigeben und während der gesamten Dauer sehr leicht in die Pedale treten. Das gleichzeitige Schalten eines Gangs unter Last oder mehrerer Gänge kann zu vorzeitigem Verschleiß und Schäden an Ihrem Antriebsstrang führen.**

- » hohe Geschwindigkeit, hoher Gang
- » niedrige Geschwindigkeit, niedriger Gang
- » Lösen Sie die Kraft auf den Pedalen hrend des Schaltens

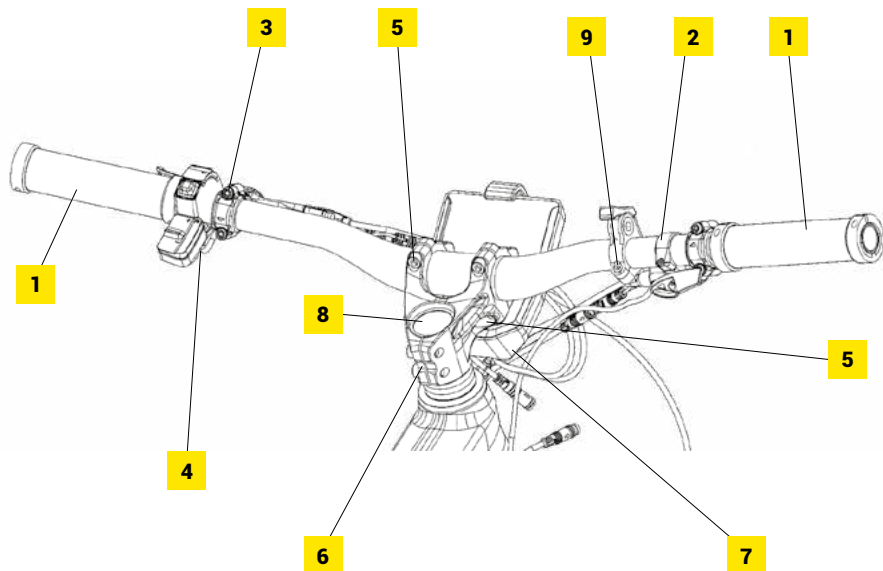


## Empfohlenes Anziehen von fasteners

### RAHMEN DREHMOMENT-SPEZIFIKATION

	NAME / BESCHREIBUNG	DREHMOMENT, Nm [lbf·ft]
1	ÜBERSETZUNGSHEBEL / RAHMEN	8 [5.9] + Schraubensicherung mit geringer Festigkeit
2	RAHMEN / KETTENSTREBE	20 [14.8] + mittelfeste Schraubensicherung
3	KETTENSTREBE / SITZSTREBE	8 [5.9] + Schraubensicherung mit geringer Festigkeit
4	SITZSTREBE/ÜBERSETZUNGSHEBEL	10 [7.4] + Schraubensicherung mit geringer Festigkeit
5	BATTERIE SCHLOSS	2-3 [1.5-2.2]

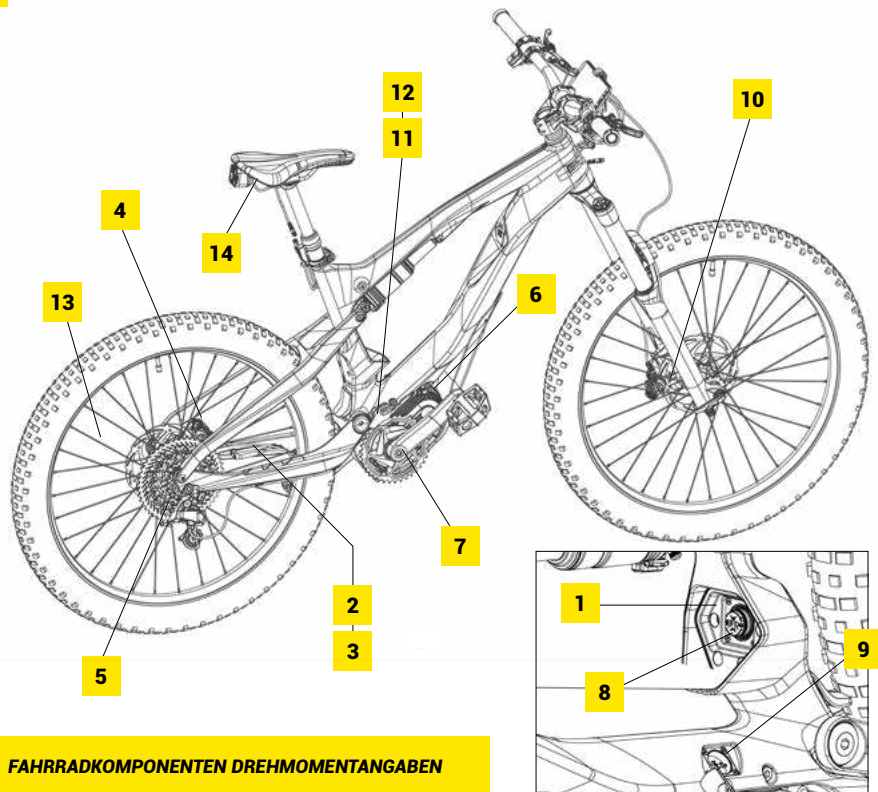
6	SCHUTZBLECH	5 [3.7] + Schraubensicherung mit geringer Festigkeit
7	AUSSTEIGEN	6 [4.4] + Schraubensicherung mit
8	RAHMEN / MOTOR	10 [7.4] + mittelfeste Schraubensicherung
9	ÜBERSETZUNGSHABEL / HINTERER DÄMPFER / RAHMEN	8 [5.9] + Schraubensicherung mit geringer Festigkeit



**LENKERTEILE / VORBAU / DREHMOMENTANGABEN**

	NAME / BESCHREIBUNG	DREHMOMENT, Nm [lbf-ft]
1	GRIFFE / LENKER	G6.1 & G6.2 - 2 [1.5], G6.3 & G6.5 - 3 [2.2], G6.4 & G6.6 - leicht
2	SCHALTHEBEL / LENKER	4 [3]
3	BREMSHEBEL / LENKER	4 [3]
4	CBC / LENKER	0.5 [0.37] + Schraubensicherung mit geringer Festigkeit

5	VORBAU / LENKER	9 [6.6] + Schraubensicherung mit geringer Festigkeit
6	VORBAU / VORDERGABEL	12 [8.9] + Schraubensicherung mit geringer Festigkeit
7	CIM / STEM	1 [0.7], MAX <2 [1.5]
8	STEUERSATZ / VORDERGABEL	6 [4.4]
9	SATTELSTÜTZE / LENKER	3 [2.2]



**FAHRRADKOMPONENTEN DREHMOMENTANGABEN**

	NAME / BESCHREIBUNG	DREHMOMENT, Nm [lbf-ft]
1	DRUCKPLATTE / RAHMEN	4 [3] + Schraubensicherung mit geringer Festigkeit
2	GESCHWINDIGKEITSMESSER	2 [1.5] + Schraubensicherung mit
3	GESCHWINDIGKEITSSENSOR / HALTER FÜR GESCHWINDIGKEITSSENSOR	2 [1.5] + Schraubensicherung mit geringer Festigkeit
4	HINTERRADBREMSE	6 [4.4] + Schraubensicherung mit
5	UMWERFER / AUSFALLENDE	12 [8.9] + Schraubensicherung mit geringer Festigkeit
6	KETTENRAD / MOTOR	30 [22.1] + Schraubensicherung mit
7	KURBELARME / MOTOR	40 [29.5] + mittelfeste Schraubensicherung
8	Y-VERKABELUNG	1 [0.7]
9	Y-KABEL/RAHMEN	1 [0.7]
10	VORDERRADBREMSE	6 [4.4] + Schraubensicherung mit
11	KETTENFÜHRUNG ALUTEIL / RAHMEN	4 [3] + Schraubensicherung mit geringer Festigkeit
12	KETTENFÜHRUNG KUNSTSTOFFTEIL / ALU PART	4 [3] + Schraubensicherung mit
13	GESCHWINDIGKEITSSENSORMAGNET / RADSPEICHERN	< 2 [1.5] MAX + Schraubensicherung mit geringer Festigkeit
14	SATTELSTÜTZE / SITZ	10 [7.4] + Schraubensicherung mit



5

## EU-KONFORMITÄTSERKLÄRUNG

HERSTELLERIN	PORSCHE EBIKE PERFORMANCE D.O.O.
ADRESSE	LJUBLJANSKA 7, 10431 SVETA NEDELJA, CROATIA
BESCHREIBUNG DES PRODUKTS	GREYP G5.1, G5.2, G5.3, G6.4, G6.4 PRO, G6.5, G6.6 AND G6.6 PRO – PEDELEC (EPAC - ELECTRIC POWER ASSISTED CYCLE) GREYP G6.40, G6.40 PRO, G6.50, G6.60 AND G6.60 PRO – OFF-ROAD VEHICLE
NAME UND ANSCHRIFT DER ZUR ERSTELLUNG DER TECHNISCHEN UNTERLAGEN BERECHTIGTEN PERSON	BORNA KIŠPATIĆ, LJUBLJANSKA 7, 10431 SVETA NEDELJA, CROATIA
ORT UND DATUM DER ERKLÄRUNG;	12/06/2023, SVETA NEDELJA

**WIR ERKLÄREN HIERMIT AUSDRÜCKLICH, DASS DIE OBEN AUFGEFÜHRTEN PRODUKTE ALLE EINSCHLÄGIGEN BESTIMMUNGEN DER:**

MASCHINENRICHTLINIE (2006/42/EG), ELEKTROMAGNETISCHE VERTRÄGLICHKEIT (2014/30/EG), FUNKGERÄTERICHTLINIE (2014/53/EU), NIEDERSPANNUNGSRICHTLINIE (LVD) (2014/35/EU), ROHS RICHTLINIE (2011/65/EU)



**DIE FOLGENDE HARMONISIERUNGSNORM WURDE AUF G5.1, G5.2, G5.3, G6.4, G6.4 PRO, G6.5, G6.6 UND G6.6 PRO:**

EN 15194:2017 FAHRRÄDER – ELEKTRISCH UNTERSTÜTZTE FAHRRÄDER – EPAC-FAHRRÄDER.

**FÜR G5.1, G5.2, G5.3, G6.4, G6.4 PRO, G6.5, G6.6, G6.6 PRO, G6.40, G6.40 PRO, G6.50, G6.60 UND G6.60 PRO WURDE FOLGENDE NORM VERWENDET:**

EN ISO 4210, EN ISO 12100:2010  
EN 62368-1:2014/AC FEB.:2015/A11:2017/ AC MAR.:2017  
EN 62311:2008, EN 301 489-1 V2.1.1, EN 301 489-17 V3.1.1  
EN 301 489-19 V2.1.0, EN 301 489-52 V1.1.0,  
EN 300 328 V2.1.1, EN 301 893 V2.1.1,  
EN 301 511 V12.5., EN 301 908-1 V11.1.1,  
EN 301 908-2 V11.1.2, EN 301 908-13 V11.1.2,  
EN 303 413 V1.1.1

**KREŠIMIR HLEDE**

MANAGING DIRECTOR  
PORSCHE EBIKE PERFORMANCE D.O.O



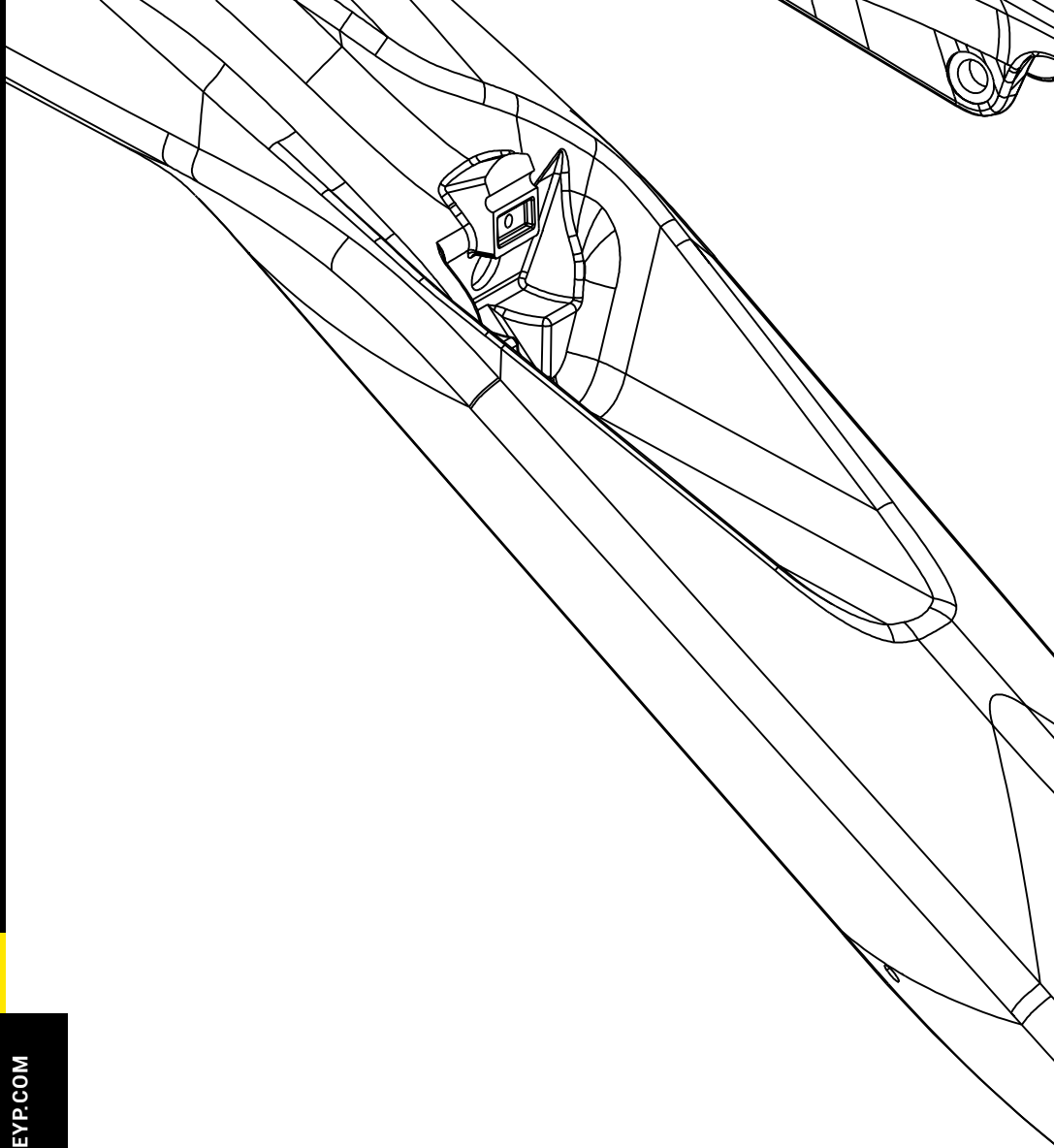
Da wir ständig daran arbeiten, unsere Benutzererfahrung zu verbessern, können Sie mit häufigen Updates der mobilen App rechnen

## **FINDEN SIE DIE NEUESTE VERSION DES GREYP-APP-HANDBUCHS**

**WWW.GREYP.COM**



Die Greyp-Mobilanwendung  
ist verfügbar unter  
**Google PlayStore** und **AppStore**





# MANUALE TECNICO - G SERIES

---

ITALIANO

# Indice

---

<b>1</b>	<b>INTRODUZIONE</b>	<b>73</b>			
	Dichiarazione di non responsabilità Greyp	<b>73</b>		Settaggi aggiuntivi	<b>81</b>
	Avvertenze generali	<b>74</b>		Sospensione anteriore	<b>81</b>
	Informazioni generali	<b>74</b>		Settaggi aggiuntivi	<b>81</b>
	Peso massimo consentito	<b>75</b>		Pressione gomme raccomandata	<b>82</b>
	Assemblaggio	<b>76</b>		Pressione massima delle gomme	<b>82</b>
	Specifiche EU	<b>79</b>		Riflettori	<b>82</b>
	Specifiche USA	<b>79</b>			
<b>2</b>	<b>NOTE GENERALI D'USO</b>	<b>80</b>	<b>3</b>	<b>FUNZIONI DEL SISTEMA</b>	<b>49</b>
	Sospensione post. (se presente)	<b>80</b>		Parti della bici	<b>49</b>
				Assemblaggio parti disassemblate	<b>50</b>

---

Funzioni della Control unit	<b>51</b>	Aggiornamento	
Informazioni sulla Display unit	<b>52</b>	Software manuale	<b>56</b>
Accensione	<b>53</b>	Retro video	<b>57</b>
Modalità Stand by on	<b>53</b>	Attacco/distacco pacco batteria	<b>57</b>
Modalità Stand by off	<b>53</b>	Ricambi appropriati	<b>58</b>
Spegnimento	<b>54</b>	<b>4 MANUTENZIONE E AUTONOMIA</b>	<b>59</b>
Modalità Walk assist	<b>54</b>	Servizio e manutenzione	<b>59</b>
Luci accese/spente	<b>54</b>	Consigli per le cambiate	<b>61</b>
Joystick	<b>55</b>	Serraggi raccomandati	<b>61</b>
Livello di Assist su/giù	<b>55</b>	<b>5 EU – DICHIARAZIONE DI</b>	
Schermata info e appaimento bici	<b>56</b>	<b>CONFORMITA'</b>	<b>65</b>





# 1

## Introduzione

**Le istruzioni originali (manuale utente/istruzioni per l'uso) sono scritte in inglese. Tutte le altre lingue sono traduzioni delle istruzioni originali (manuale utente/istruzioni per l'uso). In caso di controversia, prevale il manuale utente in inglese.**

Questo manuale di istruzioni per l'utente è stato sviluppato solo per la tua bici Greyp. Contiene importanti informazioni tecniche, sulle prestazioni e sulla sicurezza, che dovresti leggere prima del tuo primo giro e conservare come riferimento. Dovresti anche leggere l'intero Manuale Utente, perché contiene ulteriori importanti informazioni generali e istruzioni che dovresti seguire.

*Se non si dispone di una copia del Manuale Utente, scaricarlo gratuitamente su [www.greyp.com](http://www.greyp.com) o ottenerlo dal rivenditore Greyp autorizzato più vicino. In caso di discrepanze, prevale la versione inglese.*

### Dichiarazione di non responsabilità

Qualsiasi modifica alla bicicletta è severamente vietata e Porsche eBike Performance d.o.o. non si assume alcuna responsabilità per le conseguenze di tali modifiche. Porsche eBike Performance d.o.o. non concede, in modo esplicito o implicito, a nessuna parte alcun diritto di brevetto, licenza o qualsiasi altro diritto di proprietà intellettuale, sia in relazione a tali informazioni stesse sia a quanto descritto da tali informazioni. Le informazioni fornite da Porsche eBike Performance d.o.o. di seguito sono fornite così come sono, e l'intero rischio associato a tali informazioni è interamente a carico dell'acquirente. Le informazioni fornite in questo documento sono di proprietà di Porsche eBike Performance d.o.o. e Porsche eBike Performance d.o.o. si riserva il diritto di apportare modifiche alle informazioni contenute nel presente documento o a qualsiasi prodotto e servizio in qualsiasi momento senza preavviso.

Dovresti controllare [www.greyp.com](http://www.greyp.com) per eventuali modifiche apportate al Manuale Utente.



**Porsche eBike Performance d.o.o.,**  
Ljubljanska 7, 10431 Sveta Nedelja, Croatia,  
December 7<sup>th</sup>, 2022.

## Avvertenze Generali

Questo manuale contiene molte "AVVERTENZE" e "PRECAUZIONI" riguardanti le conseguenze della mancata manutenzione o ispezione della bicicletta e del mancato rispetto di pratiche ciclistiche sicure.

La combinazione del simbolo di avviso di sicurezza e della parola AVVERTENZA indica una situazione potenzialmente pericolosa che, se non evitata, potrebbe causare lesioni gravi o mortali.

La combinazione del simbolo di avviso di sicurezza e della parola PRECAUZIONE indica una situazione potenzialmente pericolosa che, se non evitata, può provocare lesioni lievi o moderate oppure è un avviso contro pratiche non sicure.

Molte delle AVVERTENZE e delle PRECAUZIONI dicono che potresti perdere il controllo e cadere. Poiché qualsiasi caduta può provocare lesioni gravi o addirittura la morte, non ripetiamo sempre l'avviso di possibili lesioni o morte.

Poiché è impossibile prevedere ogni situazione o condizione che può verificarsi durante la guida, il presente Manuale Utente non fornisce alcuna dichiarazione sull'uso sicuro della bicicletta in tutte le condizioni. Ci sono rischi associati all'uso di qualsiasi bicicletta che non possono essere previsti o evitati e che sono di esclusiva responsabilità del ciclista.

## General information

- » **EU** - La G6.1, G6.2, G6.4, G G6.4 PRO, 6.5, G6.6, G5.1, G5.2 e la G5.3 sono biciclette ad alte prestazioni. La G6.3, G6.20, G6.40, G6.40 PRO, G6.50 e la G6.60, G6.60 PRO sono veicoli off-road e non dovrebbero essere utilizzati su strade pubbliche.
- » **USA** - LA G6.1 (US), G6.2 (US), G6.4 (US), G6.5 (US), G6.6 (US), G5.1 (US), G5.2 (US) e la G5.3 (US) Sono biciclette elettriche di CLASSE 1. La G6.3 (US), G6.20, G6.50 (US) e la G6.60 (US) sono biciclette elettriche di CLASSE 3.

Le G-series sono create per un uso su ghiaia, sentieri asfaltati e non ( con radici, impedimenti, rocce e piccoli salti) e sentieri sterrati più complessi, con salti e dislivelli non superiori a 1m (altezza massima).

Il supporto del motore si spegne automaticamente quando si raggiunge una velocità massima di: 25 km/h per G6.1, G6.2, G6.4, G6.5, G6.6, G5.1, G5.2 e G5.3; 32 km/h (20 mph) per G6.1 (Stati Uniti), G6.2 (Stati Uniti), G6.4 (Stati Uniti), G6.5 (Stati Uniti), G6.6 (Stati Uniti), G5.1 (Stati Uniti), G5.2 (Stati Uniti) e G5.3 (Stati Uniti); 45 km/h (28 mph) per G6.3, G6.3 (USA), G6.20, G6.20 (USA), G6.50, G6.50 (Stati Uniti), G6.60 e G6.60 (Stati Uniti). In genere non è richiesta una patente di guida o un'assicurazione. Indipendentemente dalla sua classificazione, la bici fornirà supporto motorio solo durante la pedalata.

## PESO MASSIMO CONSENTITO

<b>VEICOLO</b>	<b>CARICO MASSIMO CONSENTITO (PILOTA + BAGAGLIO)*</b>	<b>PESO VEICOLO**</b>	<b>PESO MASSIMO TOTALE (VEICOLO+ PILOTA + BAGAGLIO)</b>
<b>G5.1 E G5.1 (US)</b>	125.5 kg [276.7 lb]	24.5 kg [54 lb]	150 kg [330.7 lb]
<b>G5.2 E G5.2 (US)</b>	126 kg [277.8 lb]	24 kg [52.9 lb]	150 kg [330.7 lb]
<b>G5.3 E G5.3 (US)</b>	125.2 KG [276 lb]	24.8 KG [54.7 lb]	150 KG [330.7 lb]
<b>G6.1 E G6.1 (US)</b>	125.5 kg [276.7 lb]	24.5 kg [54 lb]	150 kg [330.7 lb]
<b>G6.2, G6.20, G6.20 (US) E G6.2 (US)</b>	125 kg [275.6 lb]	25 kg [55.1 lb]	150 kg [330.7 lb]
<b>G6.3 E G6.3 (US)</b>	126 kg [277.8 lb]	24 kg [52.9 lb]	150 kg [330.7 lb]
<b>G6.4, G6.40, G6.4 PRO, G6.40 PRO E G6.4 (US)</b>	124.6 kg [274.7 lb]	25.4 kg [56.0 lb]	150 kg [330.7 lb]
<b>G6.5, G6.5 (US), G6.50 E G6.50 (US)</b>	124 kg [273.4 lb]	26 kg [57.3 lb]	150 kg [330.7 lb]
<b>G6.6, G6.60, G6.6 PRO, G6.60 PRO, G6.6 (US) E G6.60 (US)</b>	123.6 kg [272.5 lb]	26.4 kg [58.2 lb]	150 kg [330.7 lb]

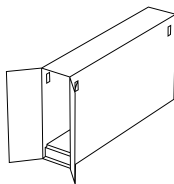
Informazioni aggiuntive sulla sicurezza, prestazioni e servizio per componenti specifici quali sospensioni, freni o motore sono disponibili nelle direttive del produttore.

\* La taglia S del telaio ha un peso utile totale consentito superiore fino a 0,2 kg, mentre la taglia L ha un peso utile totale consentito inferiore fino a 0,2 kg, rispetto a quanto elencato nella tabella.

\*\* La taglia S del telaio è fino a 0,2 kg più leggera mentre la taglia L è fino a 0,2 kg più pesante di quanto indicato nella tabella.

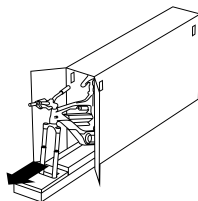
## Assemblaggio

## 1 APERTURA



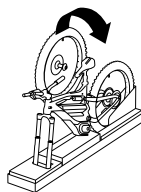
Aprire la parte segnata della scatola

## 2 ESTRAZIONE



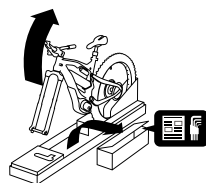
Estrarre la bici tenendo la forcella

## 3 RUOTA ANT.



Estrarre ruota anteriore

## 4 BOX ATTREZZI

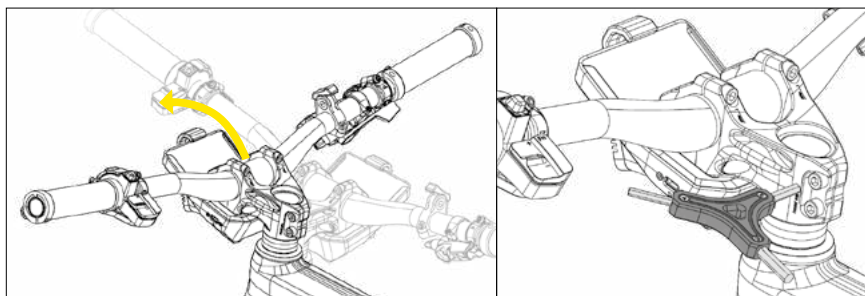


Alzare la bici per accedere al box attrezzi

## LEGGI IL MANUALE UTENTE

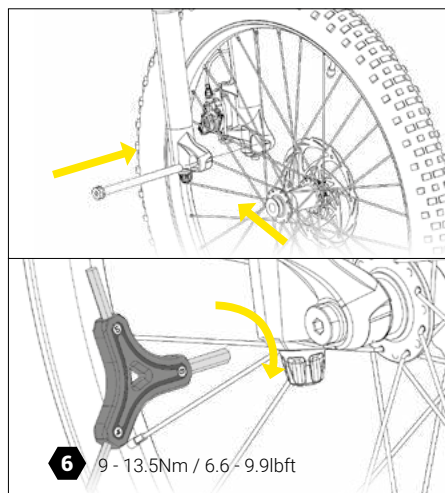
Se non hai le conoscenze o le capacità per assemblare la bici Greyp da solo, consulta un meccanico professionista.

## 5 POSIZIONAMENTO DEL MANUBRIO

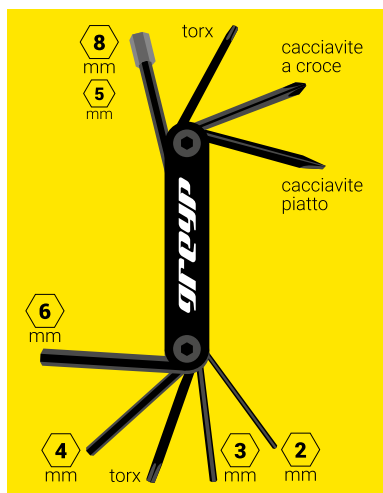


1. Ruotare il manubrio nella sua posizione naturale ( $\approx 90^\circ$  sul telaio, "centrato").
2. Usando l'attrezzo (chiave esagonale (chiave a brugola) numero 5), **stringere leggermente le due viti sul supporto.**

## 6 MONTAGGIO RUOTA ANTERIORE



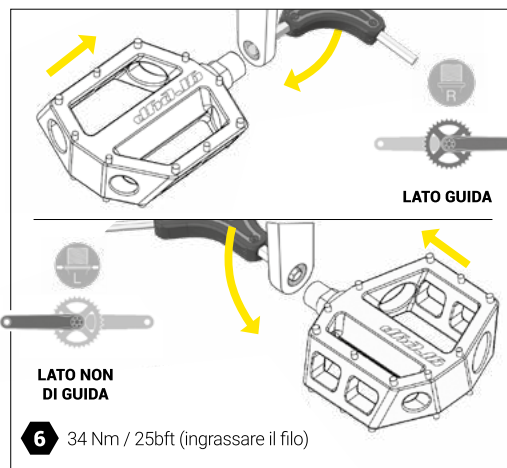
## ATTREZZI



1. Guida la **ruota nella forcella** e guida il rotore tra le pastiglie dei freni.

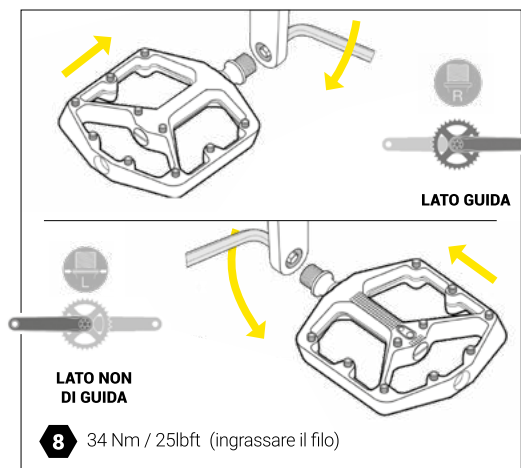
2. **Stringere l'asse** - allineare il mozzo con i fori nella parte inferiore della forcella. Controllare quale lato della forcella è filettato e spingere l'asse dal lato opposto. Ruotare la chiave esagonale numero 6 in senso orario per avvitare l'asse nella forcella.

## 7 MONTAGGIO PEDALI (G6.1, G6.2, G6.4, G6.5, G6.6)



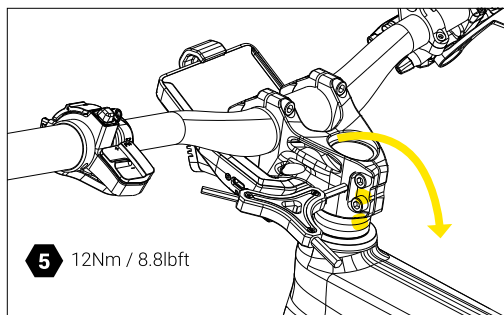
1. Estrarre i pedali dalla scatola, **ingrassare la filettatura e serrarli** utilizzando l'attrezzo (chiave esagonale a numero 6) (vedi figura sopra).

2. Prestare attenzione al **senso di rotazione** durante il serraggio. La filettatura sul pedale destro è destrorsa (standard). Il senso di rotazione per il serraggio è antiorario. La filettatura sul pedale sinistro è sinistrorsa, quindi il senso di rotazione per il serraggio è orario.

**CONTROLLO (G6.3)**

**1.** Estrarre i pedali dalla scatola, **ingrassare la filettatura e serrarli** utilizzando l'attrezzo (chiave esagonale numero 8) (vedi figura sopra).

**2.** Prestare attenzione al **senso di rotazione** durante il serraggio. La filettatura sul pedale destro è destrorsa (standard). Il senso di rotazione per il serraggio è antiorario. La filettatura sul pedale sinistro è sinistrorsa, quindi il senso di rotazione per il serraggio è orario.

**8 SUPPORTO DEL MANUBRIO**

**1.** Allentare leggermente i **2 bulloni sull'attacco manubrio**. Serrare il tappo superiore (bullone della cuffia) a 6 Nm utilizzando la chiave esagonale numero 5.

**2. Centrare e serrare** i 2 bulloni sull'attacco. Il modo più semplice per "centrare tutto" è stare davanti alla bici e tenere la ruota anteriore tra i piedi e le gambe. Serrare i 2 bulloni sullo stelo (bullone sterzo) a 12 Nm.

**9 CONTROLLO**

**Afferra il freno anteriore e usa le barre per spingere/far sobbalzare la bici in avanti.** Se ritieni che lo sterzo sia allentato (un tintinnio, o qualsiasi movimento diverso dalla ruota posteriore che si solleva da terra), allenta i 2 bulloni sull'attacco manubrio e stringi il tappo superiore, ma fai attenzione a quanto lo stringi (chiave esagonale numero 5). Il bullone del tappo superiore determinerà quanto è allentato o stretto il tuo sterzo, quindi gioca un ruolo importante nello sterzo e nella sensazione della tua bici. Stringere il bullone un po' alla volta e ad ogni giro.

Una volta che il gioco nello sterzo è sparito, dovrebbe essere abbastanza stretto. **Gira il manubrio a sinistra e a destra** per assicurarti che si muovano ancora senza intoppi. Se il movimento è stretto, sei andato troppo oltre. Allenta il cappuccio del supporto di un quarto o mezzo giro e riprova. Una volta che non ci sono allentamenti nello sterzo e il manubrio gira senza intoppi, è necessario prendere l'attrezzo (chiave esagonale numero 5) e serrare i due bulloni sull'attacco manubrio (vedi foto).

**Capovolgì la bici e fai girare la ruota:** facendo girare la ruota, ti assicurerai che le pastiglie dei freni non sfreghino

sul rotore. Se la tua ruota non gira, potrebbe essere incastrata nella forcella. Capovolgila la bicicletta, allenta l'asse, spingi la ruota verso il basso e stringi di nuovo l'asse.

## SPECIFICHE EU

	<b>BANDA DI FREQUENZA RADIO</b>	<b>POTENZA MASSIMA FREQUENZA</b>
1	EGSM900	35 dBm
2	GSM1800	32 dBm
3	GSM 900 8-PSK	30 dBm
4	GSM 1800 8-PSK	29 dBm
5	LTE FDD BD1, BD3, BD7, BD8, BD20	25 dBm
6	UMTS WCDMA FDD BDI, BDIII, BDVIII	25 dBm
7	WIFI 4.9 GHZ TO 5.8 GHZ	18 dBm
8	WIFI 2.4 GHZ TO 2.5 GHZ	18 dBm
9	BLUETOOTH 2.4 GHZ	12 dBm

## SPECIFICHE USA

Questo dispositivo è conforme alla parte 15 delle norme FCC. Il funzionamento è soggetto alle due condizioni seguenti: (1) questo dispositivo non può causare interferenze dannose e (2) questo dispositivo deve accettare qualsiasi interferenza ricevuta, comprese le interferenze che potrebbero causare un funzionamento indesiderato.

Contiene FCC IDs: QIPPLS8-USR4, Z64-WL18SBMOD

**NOTE** – Questa apparecchiatura è stata testata ed è risultata conforme ai limiti per un dispositivo digitale di Classe B, ai sensi della parte 15 delle norme FCC. Questi limiti sono progettati per fornire una protezione ragionevole contro le interferenze dannose in un'installazione residenziale. Questa apparecchiatura genera, utilizza e può irradiare energia a radiofrequenza e, se non installata e utilizzata secondo le istruzioni, può causare interferenze dannose alle comunicazioni radio. Tuttavia, non vi è alcuna garanzia che non si verifichino interferenze in una particolare installazione. Se questa apparecchiatura causa interferenze dannose alla ricezione radiofonica o televisiva, che possono essere determinate spegnendo e riaccendendo l'apparecchiatura, l'utente è invitato a provare a correggere l'interferenza adottando una o più delle seguenti misure:

- » *Riorientare o riposizionare l'antenna ricevente;*
- » *Aumentare la separazione tra apparecchiatura e ricevitore;*
- » *Collegare l'apparecchiatura a una presa su un circuito diverso da quello a cui il ricevitore è collegato;*
- » *Consultare il rivenditore o un tecnico radio/TV esperto per assistenza.*



**PRECAUZIONE** - Alterazioni non approvate dal responsabile della conformità possono danneggiare il veicolo.

# 2

## Note generali sull'utilizzo

### SOSPENSIONI

#### Sospensione posteriore (se presente)

Il Sag (Suspension Adjustment Gap) della sospensione può essere utilizzato per impostare la corretta velocità della molla della sospensione. Sag è la quantità (percentuale) di compressione della sospensione quando il pilota, compreso l'equipaggiamento da guida, è seduto sulla bici in posizione di guida. L'impostazione del Sag corretto consente alle ruote di mantenere la trazione senza utilizzare troppa corsa riservata all'assorbimento degli urti. Maggiore è il Sag e maggiore è la sensibilità ai piccoli urti, mentre un Sag minore diminuisce la sensibilità ai piccoli urti. Impostare il Sag della molla prima di effettuare qualsiasi altra regolazione.

Prima di impostare il Sag, impostare gli ammortizzatori in posizione completamente aperta. Ruotare i regolatori in senso antiorario fino all'arresto. Impostare l'ammortizzatore in posizione aperta. Iniziando con l'ammortizzatore completamente sgonfio, pressurizzare la camera della molla pneumatica a 100 psi. Non comprimere la sospensione con la pompa collegata. Comprimere completamente l'ammortizzatore cinque volte per equalizzare le molle pneumatiche positive e negative. Comprimere l'ammortizzatore ancora una volta per equalizzare la pressione dell'aria. Con la tua attrezzatura da guida e un assistente che tiene la bici, sali sul veicolo e fai girare leggermente l'ammortizzatore due o tre volte.

Mentre sei seduto sulla bicicletta, chiedi a un assistente di far scorrere l'o-ring di flessione contro la guarnizione. Scendi delicatamente dal veicolo senza comprimere l'ammortizzatore. Notare la percentuale di Sag alla quale l'O-ring si è fermato. Di solito la percentuale di Sag per gli ammortizzatori è intorno al 25% - 35%. È possibile impostare il Sag sul  $\pm 5\%$  a piacere. Se la percentuale di Sag desiderata non viene raggiunta, è necessario regolare la pressione dell'aria. Aumentare la pressione dell'aria per ridurre il Sag. Diminuire la pressione dell'aria per aumentare il Sag.

#### Settaggi aggizionali

A seconda del modello esatto dell'ammortizzatore, è possibile effettuare varie regolazioni e alcune di esse sono estensione, compressione a bassa velocità, compressione ad alta velocità, soglia, blocco e altro. Per ulteriori informazioni, contattare il rivenditore Greyp o visitare il sito Web dei produttori di ammortizzatori.



## Sospensione anteriore

Lo smorzamento in estensione controlla la velocità di estensione/ritorno della forcella ammortizzata, che influisce sulla trazione e sul controllo. Lo smorzamento ottimale in estensione consente alla forcella di estendersi a una velocità controllata e di mantenere trazione e controllo. Il ritorno troppo veloce consente alla forcella di estendersi troppo rapidamente, il che fa rimbalzare la ruota sugli oggetti e sul terreno con conseguente effetto pogo. Un ritorno troppo lento impedisce alla forcella di estendersi abbastanza rapidamente per riprendere il contatto con il suolo o prepararsi per l'impatto successivo. Lo smorzamento in estensione può essere regolato in base al peso del ciclista, alla velocità della molla e alla corsa, nonché al terreno e alle preferenze del ciclista. All'aumentare della pressione dell'aria o della velocità della molla, la velocità di estensione/ritorno aumenta. Per ottenere l'impostazione ottimale, potrebbe essere necessario aumentare lo smorzamento in estensione quando la pressione dell'aria o la rigidità della molla aumentano.

## Settaggi aggiuntivi

A seconda del modello esatto della forcella, ci sono varie regolazioni che possono essere effettuate e alcune di esse sono estensione, compressione a bassa velocità, compressione ad alta velocità, blocco e altro. Per ulteriori informazioni, contattare il rivenditore Greyp o visitare il sito Web dei produttori di forcelle. Solitamente sulla corona della forcella è presente un registro di livello o dado che ruotando si può rendere più morbido o più duro l'assorbimento della forcella.

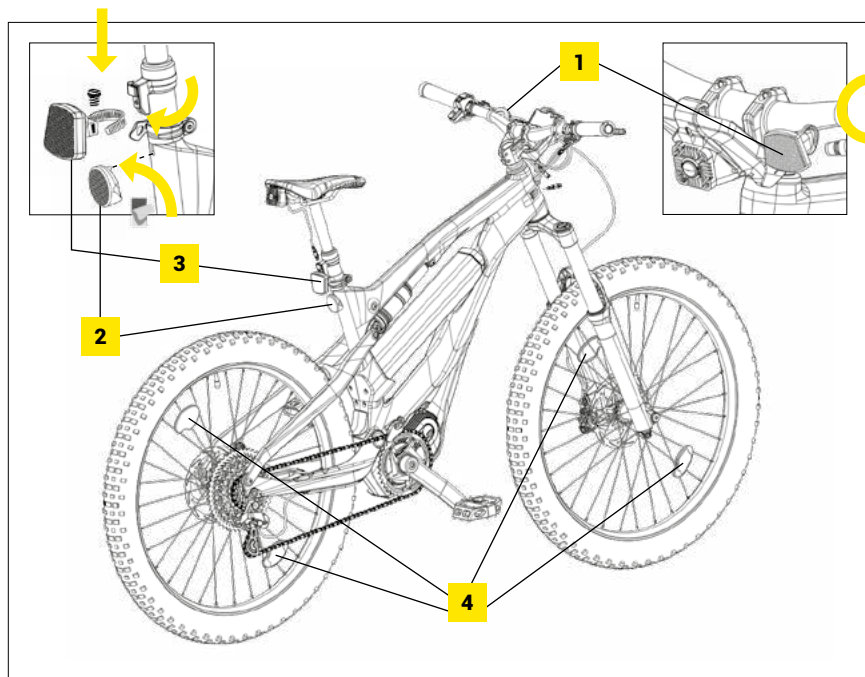
## Pressione gomme raccomandata



**AVVERTENZA** — Se i valori di pressione massima in questo manuale e i valori sulla parete laterale di un pneumatico sono in qualche modo diversi, fare riferimento a quelli che sono contrassegnati sul fianco o sulla ruota del pneumatico (a seconda di quale sia il più basso). Non gonfiare mai uno pneumatico oltre la pressione massima indicata sul fianco dello pneumatico. Il superamento della pressione massima consigliata può far saltare lo pneumatico dal cerchio, causando danni alla bicicletta e lesioni al ciclista e/o agli astanti.

**Pressione massima gomme (leggere l'avvertenza in questo capitolo):**

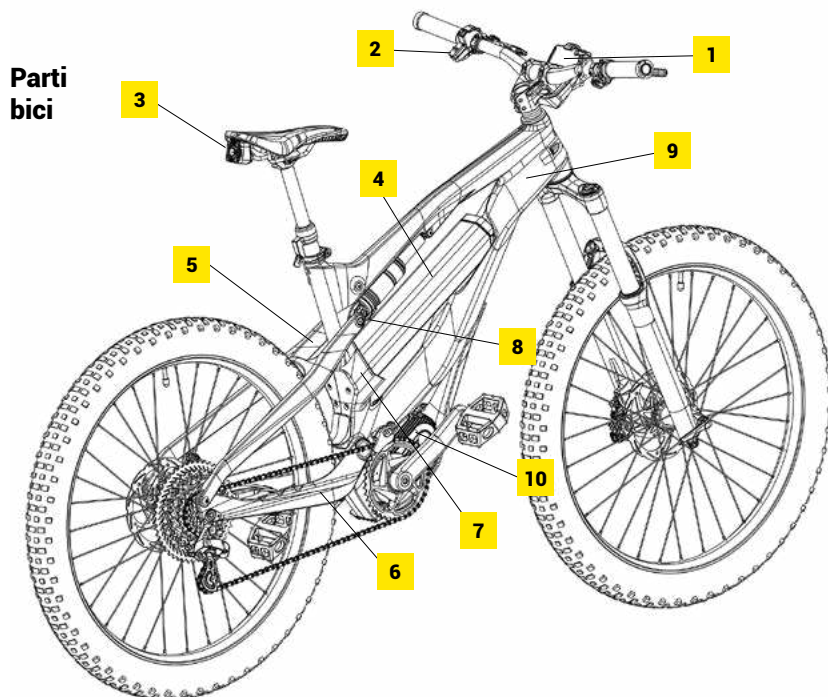
<b>BICI</b>	<b>GOMMA ANTERIORE</b>	<b>GOMMA POSTERIORE</b>
G6.1, G6.2, G6.3, G6.4	2.6 bar (38 psi)	2.6 bar (38 psi)
G5.1	2.1 bar (30 psi)	2.1 bar (30 psi)
G5.2	3.5 bar (50 psi)	3 bar (45 psi)
G5.3, G6.5, G6.6	3.0 bar (45 psi)	3.0 bar (45 psi)

**RIFLETTORI**

	<b>NOME/DESCRIZIONE</b>
1	RIFLETTORE FRONTALE 313/5K
2	RIFLETTORE POSTERIORE 314/1
3	RIFLETTORE POSTERIORE 313/1ZB
4	RIFLETTORE RAGGI 309 (M); (US - RR-530-WUW)

## 3

## Funzioni di sistema



### PARTI DELLA BICI

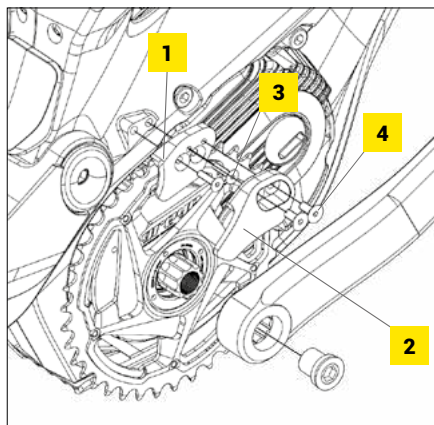
#### NOME/DESCRIZIONE

1	DISPLAY UNIT (CIM)	6	FODERO POSTERIORE
2	CONTROL UNIT (CBC)	7	PUSHPLATE
3	FOTOCAMERA POSTERIORE(BUTS)	8	LEVA DEL RATEO
4	BATTERIA	9	TELAIO
5	FODERO VERTICALE	10	MOTORE

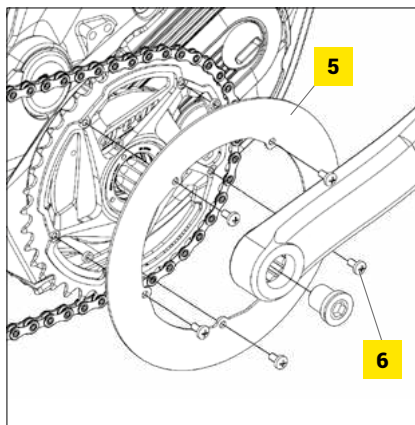
## Assemblaggio parti disassemblate



**PRECAUZIONE** – Non usare il guidacatena e il copricatena contemporaneamente.



**Guidacatena** – usare solo con dispositivi di trattenimento del piede sui pedali

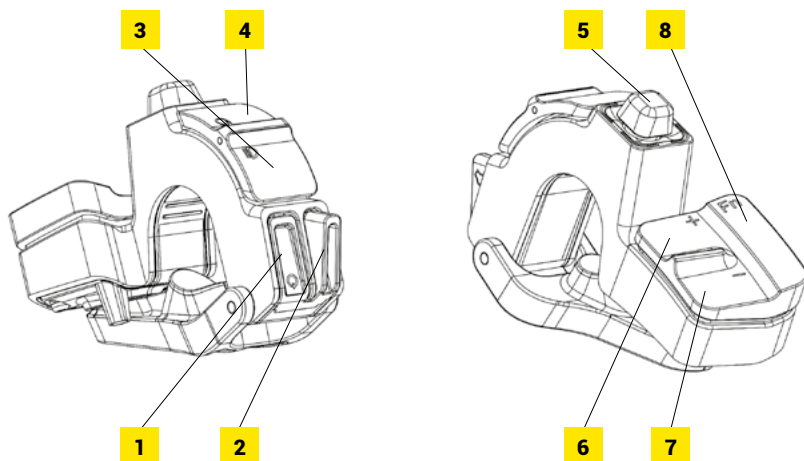


**Copricatena**

### SUPPORTO GUIDACATENA O PARACATENA

	NOME/DESCRIZIONE	COPPIA, Nm [lb ft]
1	PARTE IN ALLUMINIO	-
2	PARTE IN PLASTICA	-
3	DIN 7991 M5X18	4 [3] + frenafilletti a bassa tenuta
4	DIN 7991 M5X12	4 [3] + frenafilletti a bassa tenuta
5	CHAINGUARD	-
6	ISO 7045 M4X8	4 [3]

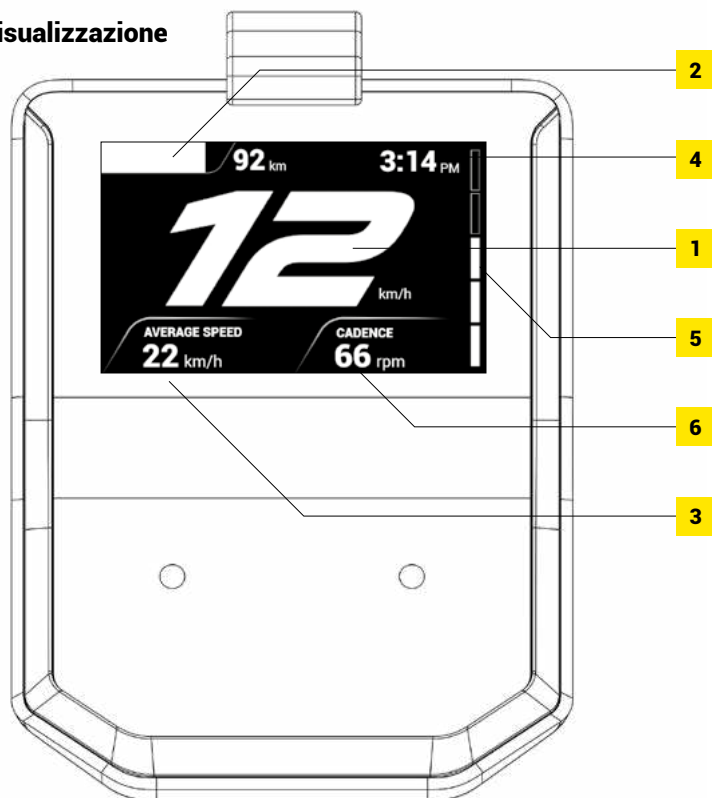
## Funzioni della Control unit



### LEGENDA

NOME/DESCRIZIONE	ICONA	FUNZIONE	TIPO
1 ACCENSIONE		ON/OFF E STAND BY	PRESSIONE LUNGA/CORTA
2 WALK ASSIST		WALK ASSIST	TENERE PREMUTO
3 LUCI		ACCENDE/SPEGNE LUCI ANT. E POST.	PRESSIONE BREVE
4 RETRO VIDEO		REGISTRA GLI ULTIMI 30 SECONDI DI CORSA	
5 JOYSTICK		CAMBIA LE FUNZIONI SUL DISPLAY	PRESSIONE BREVE IN TUTTE LE DIREZIONI
6 LIVELLO ASSIST SU		AUMENTA IL LIVELLO DI ASSIST	PRESSIONE BREVE
7 LIVELLO ASSIST GIU'		DIMINUISCE IL LIVELLO DI ASSIST	PRESSIONE BREVE
8 FUNZIONE		FUNZIONI VARIE (VEDERE PROSSIME PAGINE)	

## Unità di visualizzazione



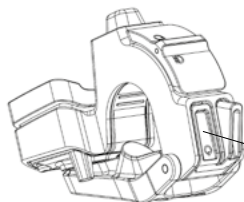
## INTERFACCIA DISPLAY CIM

NOME/DESCRIZIONE	
1	VELOCITA'
2	CARICA BATTERIA / Distanza rimanente
3	STATISTICHE DELLA CORSA
4	TEMPO
5	LIVELLO DI ASSIST
6	CADENZA

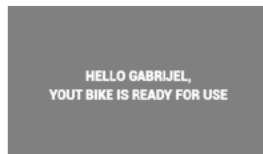
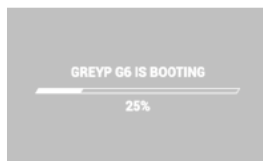
## Accensione



Per accendere la bici,  
pressione lunga sul pulsante

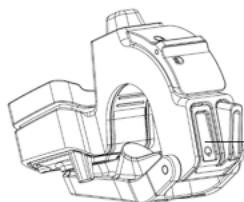


**Pressione lunga**

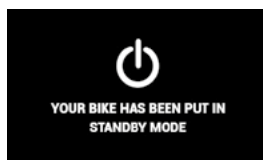


## Modalità Stand by on

Per entrare in modalit stand by,  
pressione breve sul pulsante

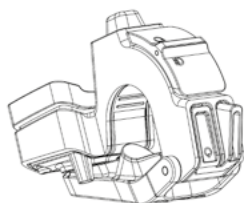


**Pressione breve**

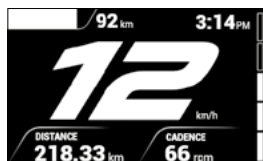


## Modalità Stand by off

Per interrompere la modalità stand by, premere un  
pulsante qualsiasi o muovere la bici



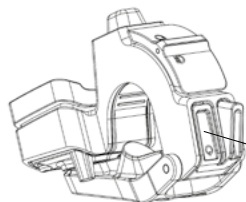
**Premere un  
pulsante qualsiasi**



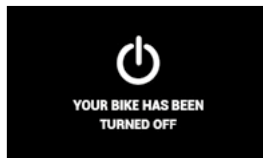
## Spegnimento



Per spegnere la bici,  
pressione lunga sul pulsante



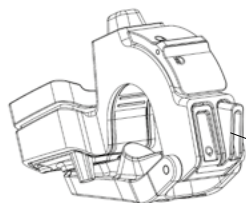
**Pressione lunga**



## Modalità Walk assist



Per attivare il walk assist,  
premere e tenere premuto il pulsante walk assist

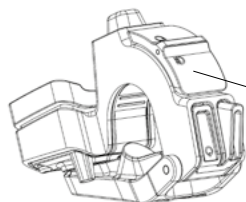


**Premere e tenere premuto**

## Luci accese/spente



Per accendere e spegnere le luci,  
pressione breve o lunga



**Pressione breve**



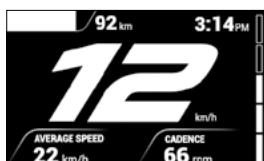
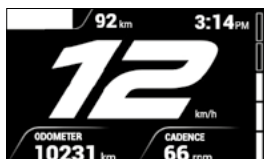
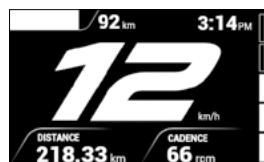
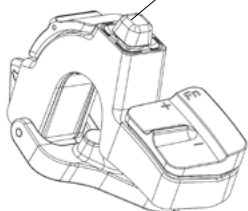
## Joystick



Per cambiare le informazioni sulla display unit, muovere il joystick su o giù

- » *TRIP*
- » *VELOCIMETRO*
- » *VELOCITA' MEDIA*
- » *TEMPO TRIP*

Muovere su/giù

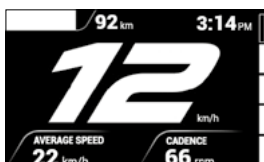
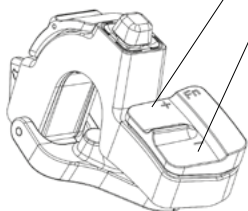


## Livello assist su/giù




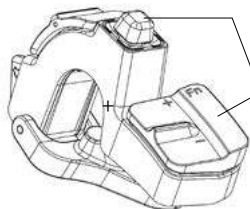
Per modificare il livello di assist, pressione breve sul bottone +/-

Pressione breve per cambiare di 1 livello



## Schermata Info e appaiamento bici

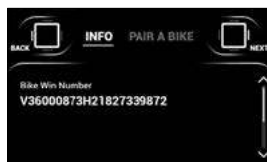
**Fn** +  Per accedere alla schermata info, usare questa combinazione di pulsanti



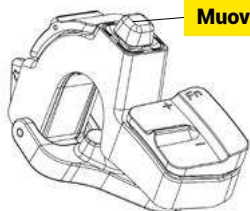
**Tenere premuto**

+

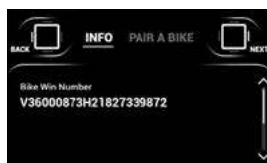
**Pressione breve**




Muovere il joystick su o giù per muoversi nella schermata o muovere il joystick a sinistra/destra per cambiare schermata



**Muovere su/giù o sinistra/destra**



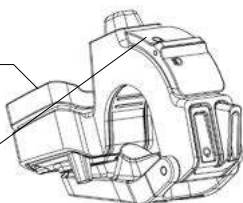
## Aggiornamento Software Manuale

**Fn** +  Per iniziare l'aggiornamento software usare questa combinazione di pulsanti. Assicurarsi che la bici sia in carica e che sia connessa ad un hot spot.

**Tenere premuto**

+

**Pressione breve**



**SOFTWARE UPDATE STARTED**  
STEP 3: FLASHING

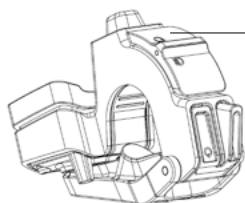


## Retro video



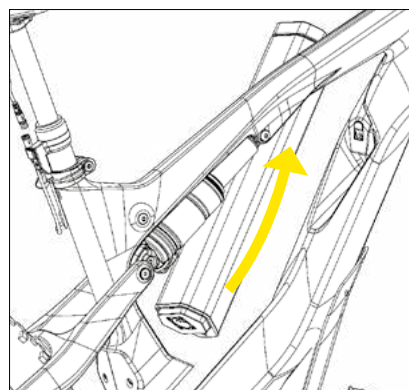
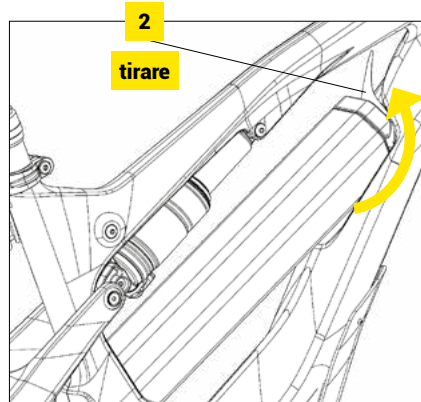
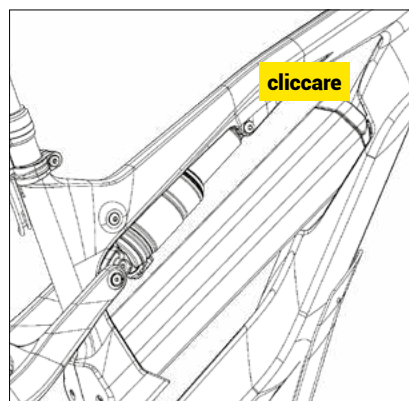
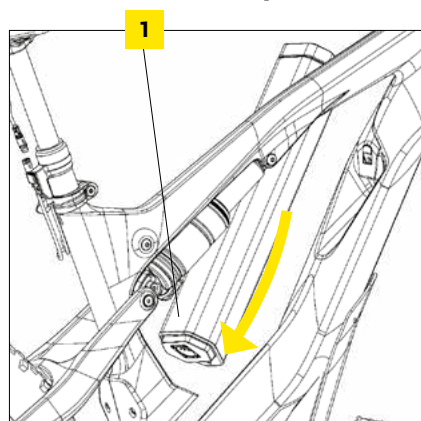
Registra gli ultimi 30 secondi della tua corsa.  
Scarica i tuoi Retro Video usando la Greyp App.

Scopri di più sul Retro Video nel [manuale App](#).



**Pressione breve**

## Attacco/distacco del pacco batteria



**ATTACCO/DISTACCO DEL PACCO BATTERIA****NOME/DESCRIZIONE**

1 BATTERIA

2 BLOCCO BATTERIA

**Ricambi appropriati:**

<b>BICI</b>	<b>GOMME</b>	<b>FRENI</b>	<b>ROTORI</b>	<b>CAMERA D'ARIA</b>
<b>G6.1</b>	Schwalbe Nobby Nic Magic Mary ant. e post. 27.5" x 2.80"	Formula Cura & Formula Cura 4	Formula Six Bolt 203mm [8"] Ant. 180mm [7"] Post.	27.5+ x 2.8
<b>G6.2</b>			Formula Six Bolt 203mm [8"] ant. 180mm [7"] Post.	
<b>G6.3</b>				
<b>G6.4</b>	Ant. Johnny Watts 27.5" x 2.60" Post. Schwalbe Johnny Watts, Nobby Nic, Eddy Current 27.5" x 2.60"		Formula Six Bolt 203mm [8"] Ant. 180mm [7"] Post.	27.5+ x 2.6
<b>G6.5</b>	Ant. Schwalbe Nobby Nic e Eddy Current, 29 x 2.60" post. Schwalbe Johnny Watts, Nobby Nic, Eddy Current 27.5" x 2.60"		Formula Six Bolt 203mm [8"] Ant. 203mm [8"] Post.	Ant. 29" x 2.6" Post. 27.5+ x 2.6"
<b>G6.6</b>	Ant. Schwalbe Nobby Nic e Eddy Current, 29" x 2.60" Rear Schwalbe Johnny Watts, Nobby Nic, Eddy Current 27.5" x 2.60"		Formula Six Bolt 180mm [7"] Ant. 180mm [7"] Post.	Ant. 29" x 2.6" Post. 27.5+ x 2.6"
<b>G5.1</b>	Ant. WTB Vigilante 29" x 2.60" Post. WTB Trail Boss G2 27.5" (650b) x 2.6"		Formula Six Bolt 203mm [8"] Ant. 203mm [8"] Post.	Ant. 29" x 2.35" Post. 27.5+ x 2.6"
<b>G5.2</b>	Ant. Schwalbe Nobby Nic 29" x 2.35" Post. Schwalbe Nobby Nic 27.5" x 2.60"		Formula Six Bolt 203mm [8"] Front 203mm [8"] Rear	Ant. 29" x 2.35" Post. 27.5" x 2.60"
<b>G5.3</b>	Ant. Pirelli Scorpion E-MTB S 29" x 2.60" Post. Pirelli Scorpion E-MTB S 27.5" x 2.60"			

## 4

## Manutenzione e autonomia

### Servizio e manutenzione

COMPONENTE	COSA FARE	AD OGNI CORSA	MENSILE	ANNUALE	ALTRO
CATENA	Controllo e lubrificazione se necessaria	X			
CATENA	Sostituzione				Ogni 1000km o prima se necessario
PACCOPIGNONI E ANELLO CATENA	Sostituzione				Ogni 3000km o prima se necessario
GOMME	Controllare pressione talloni e muri laterali	X			
GOMME					Ogni 3 anni o ad usura definitiva
CAMERA D'ARIA	Sostituzione			X	
FRONT AND REAR HUB	Controllo gioco		X		
PASTIGLIE	Controllo usura	X			
PASTIGLIE	Sostituzione			X	
ROTORE DISCO FRENO	Controllo usura	X			
FRENI	Controllo perdite	X			
LIQUIDO FRENI	Cambiare				Come specificato dal produttore

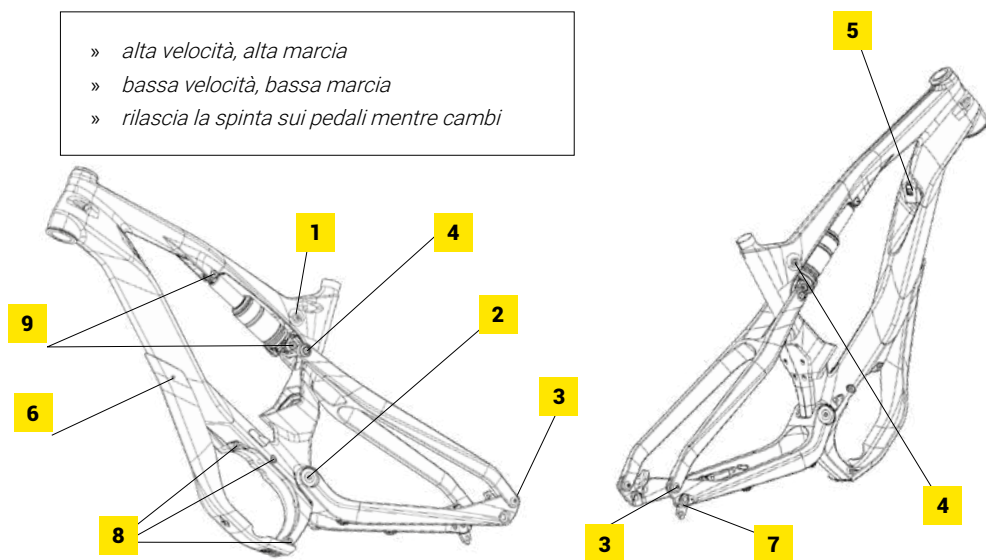
<b>SOSPENSIONE</b>	Servizio				Come specificato dal produttore
<b>BULLONI E DADI</b>	Controllo e serraggio		X		
<b>CAVI E LORO SEDI</b>	Sostituzione			X	
<b>STERZO</b>	Controllo gioco e oliare		X		
<b>MANUBRI</b>	Controllo e sostituzione se necessaria			X	
<b>LUCI</b>	Controllo	X			
<b>PEDALI</b>	Controllo gioco		X		
<b>ASSI</b>	Controllo e serraggio	X			
<b>SUPPORTO MANUBRIO</b>	Smontaggio e pulizia			X	
<b>RUOTE/RAGGI</b>	Controllo struttura e tensione		X		
<b>SUPPORTO SELLA</b>	Smontare, pulire e passare con pasta sabbia il contatto col telaio			X	
<b>VITI DELLE MOLLE</b>	Smontare, pulire e passare pasta di silicone al contatto col telaio				Ogni 1000 km o prima se necessario
<b>FORCELLINO</b>	Smontare, pulire e passare pasta di silicone al contatto col telaio				Ogni 3000 km o prima se necessario
<b>VITI MOTORE</b>	Smontare, pulire e passare pasta di silicone al contatto col telaio				Ogni 1000km o prima se necessario
<b>CONTATTO MOTORE PEDIVELLA</b>	Smontare, pulire e passare il grasso per bici			X	

## Consigli per le cambiate

Per una migliore autonomia, Greyp consiglia di cambiare in base alla tua velocità. Per le basse velocità, la marcia bassa è la migliore. Maggiore è la velocità, maggiore è la marcia che può essere scelta. Per un supporto fluido e un'autonomia ottimale, è meglio rilasciare la pressione del pedale mentre si cambia marcia.

**Cambiare sempre una marcia alla volta. Nel cambio, rilasciare la pressione sui pedali e pedalare leggermente. Cambiare marcia sotto pressione o cambiare più rapporti contemporaneamente può causare usura prematura o danni alla trasmissione.**

- » *alta velocità, alta marcia*
- » *bassa velocità, bassa marcia*
- » *rilascia la spinta sui pedali mentre cambi*

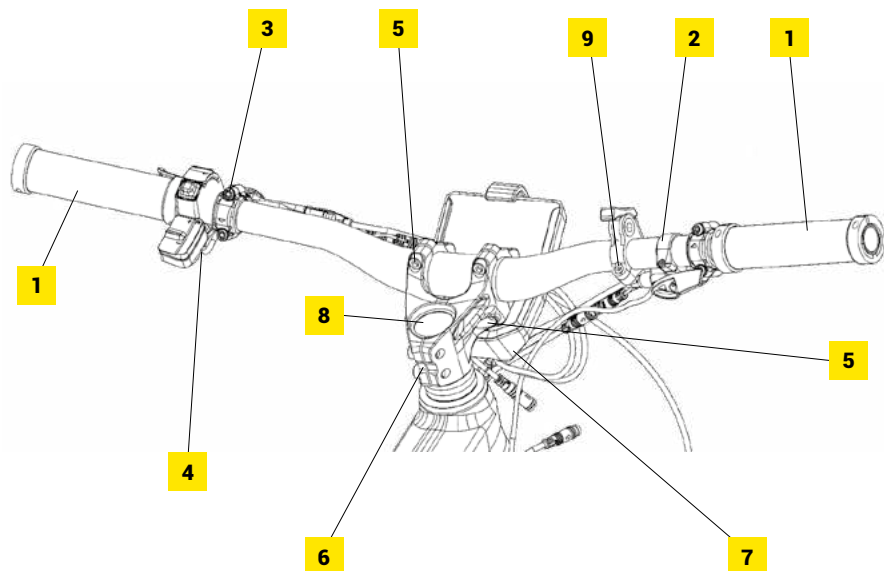


## Serraggi raccomandati

### SPECIFICHE COPPIA DI SERRAGGIO TELAIO

	NOME / DESCRIZIONE	COPPIA, Nm [lbf ft]
1	LEVA DEL RATEO / TELAIO	8 [5.9] + frenafiletti a bassa tenuta
2	TELAIO / FODERO CATENA	20 [14.8] + frenafiletti a media tenuta
3	FODERO CATENA / FODERO VERT.	8 [5.9] + frenafiletti a bassa tenuta
4	FODERO VERT. / LEVA DEL RATEO	10 [7.4] + frenafiletti a bassa tenuta
5	BLOCCO BATTERIA	2-3 [1.5-2.2]

6	SKID PLATE	5 [3.7] + frenafiletti a bassa tenuta
7	FORCELLINO	6 [4.4] + FRENAFILETTI A BASSA
8	TELAIO / MOTORE	10 [7.4] + frenafiletti a media tenuta
9	LEVA DEL IRATEO/MOLLA POST./ TELAIO	8 [5.9] + frenafiletti a bassa tenuta

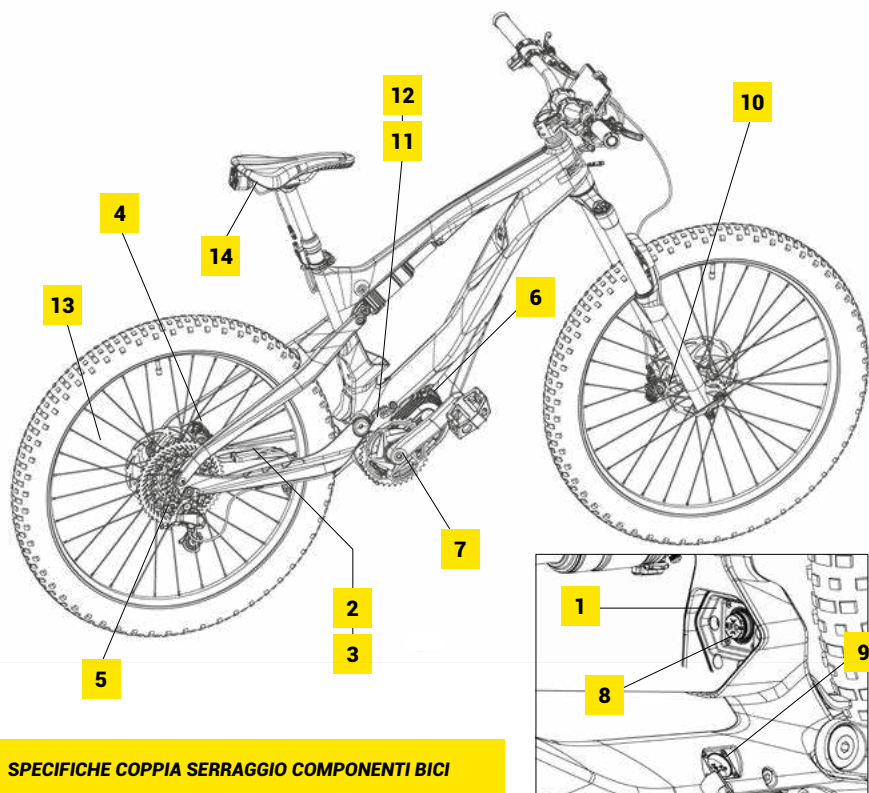


#### SPECIFICHE COPPIA DI SERRAGGIO PARTI MANUBRIO/SUPPORTO MANUBRIO

	NOME / DESCRIZIONE	COPPIA, Nm [lbf ft]
1	MANUBRIO	G6.1 & G6.2 - 2 [1.5], G6.3 & G6.5 - 3 [2.2], G6.4 & G6.6 - LEGGERA
2	CAMBIO / MANUBRIO	4 [3]
3	LEVE DEI FRENI / MANUBRIO	4 [3]
4	CBC / MANUBRIO	0.5 [0.37] + frenafiletti a bassa tenuta



5	SUPPORTO / MANUBRIO	9 [6.6] + frenafletti a bassa tenuta
6	SUPPORTO MAN. / FORCELLA ANT.	12 [8.9] + frenafletti a bassa tenuta
7	CIM / SUPPORTO MANUBRIO	1 [0.7], MAX <2 [1.5]
8	STERZO / FORCELLA ANT.	6 [4.4]
9	SUPPORTO SELLA / MANUBRIO	3 [2.2]


**SPECIFICHE COPPIA SERRAGGIO COMPONENTI BICI**

	NOME / DESCRIZIONE	COPPIA, Nm [lbf ft]
1	PUSHPLATE / TELAIO	4 [3] + frenafilietti a bassa tenuta
2	SENSORE VEL./FODERO CAT.	2 [1.5] + frenafilietti a bassa tenuta
3	SENSORE VELOCITA' /PORTASENSORE VEL.	2 [1.5] + frenafilietti a bassa tenuta
4	FRENO POST./FODERO SELLA	6 [4.4] + frenafilietti a bassa tenuta
5	DERAGLIATORE / FORCELLINO	12 [8.9] + frenafilietti a bassa tenuta
6	CORONA /MOTORE	30 [22.1] + frenafilietti a bassa tenuta
7	PEDIVELLE / MOTORE	40 [29.5] + frenafilietti a media tenuta
8	CAVI Y/ PUSHPLATE	1 [0.7]
9	CAVI Y / TELAIO	1 [0.7]
10	FRENO ANT./FORCELLA A.	6 [4.4] + frenafilietti a bassa tenuta
11	ALLUMINIO GUIDACATENA / TELAIO	4 [3] + frenafilietti a bassa tenuta
12	PLASTICA/ALLUMINIO GUIDACATENA	4 [3] + frenafilietti a bassa tenuta
13	MAGNETE SENS. VEL. / RAGGI	< 2 [1.5] MAX + frenafilietti a bassa tenuta
14	SUPPORTO/SELLA	10 [7.4] + frenafilietti a bassa tenuta

5

## EU – DICHIARAZIONE DI CONFORMITÀ

PRODUTTORE	PORSCHE EBIKE PERFORMANCE D.O.O.
INDIRIZZO	LJUBLJANSKA 7, 10431 SVETA NEDELJA, CROATIA
DESCRIZIONE DEL PRODOTTO	GREYP G5.1, G5.2, G5.3, G6.4, G6.4 PRO, G6.5, G6.6 AND G6.6 PRO – PEDELEC (EPAC - ELECTRIC POWER ASSISTED CYCLE) GREYP G6.40, G6.40 PRO, G6.50, G6.60 AND G6.60 PRO – VEICOLO OFF-ROAD
NOME E INDIRIZZO DELLA PERSONA AUTORIZZATA A COMPILARE IL FILE TECNICO	BORNA KIŠPATIĆ, LJUBLJANSKA 7, 10431 SVETA NEDELJA, CROATIA
LUOGO E DATA DELLA DICHIARAZIONE;	12/06/2023, SVETA NEDELJA

**DICHIARIAMO ESPRESSAMENTE CHE I PRODOTTI ELENCATI SOPRA SONO CONFORMI ALLE NORMATIVE DI:**

MACHINERY DIRECTIVE (2006/42/EC), ELECTROMAGNETIC COMPATIBILITY (2014/30/EC), RADIO EQUIPMENT DIRECTIVE (2014/53/EU), LOW VOLTAGE DIRECTIVE (LVD) (2014/35/ EU), ROHS DIRECTIVE (2011/65/EU)



**I SEGUENTI STANDARD SONO APPLICATI ALLE G5.1, G5.2, G5.3, G6.4, G6.4 PRO, G6.5, G6.6 AND G6.6 PRO:**

EN 15194:2017 BICYCLES – ELECTRICALLY POWER ASSISTED CYCLES – EPAC BICYCLES.

**IL SEGUENTE STANDARD E' APPLICATO PER LE G5.1, G5.2, G5.3, G6.4, G6.4 PRO, G6.5, G6.6, G6.6 PRO, G6.40, G6.40 PRO, G6.50, G6.60 AND G6.60 PRO:**

EN ISO 4210, EN ISO 12100:2010  
EN 62368-1:2014/AC FEB.:2015/A11:2017/ AC MAR.:2017  
EN 62311:2008, EN 301 489-1 V2.1.1 , EN 301 489-17 V3.1.1  
EN 301 489-19 V2.1.0 , EN 301 489-52 V1.1.0 ,  
EN 300 328 V2.1.1 EN 301 893 V2.1.1 ,  
EN 301 511 V12.5, EN 301 908-1 V11.1.1 ,  
EN 301 908-2 V11.1.2, EN 301 908-13 V11.1.2,  
EN 303 413 V1.1.1

**KREŠIMIR HLEDE**  
MANAGING DIRECTOR  
PORSCHE EBIKE PERFORMANCE D.O.O.

Siamo sempre al lavoro per migliorare l'esperienza utente,  
quindi controlla i nostri aggiornamenti frequenti

**SCARICA L'ULTIMA VERSIONE DEL  
MANUALE GREYP APP  
SUL NOSTRO SITO WEB**

**WWW.GREYP.COM**



La app Greyp mobile è  
disponibile su  
**Google PlayStore e AppStore**

**Porsche eBike Performance d.o.o.**

Ljubljanska 7  
10431 Sveta Nedelja  
Croatia

Tel: +385 1 205 4695

Email: [info@greyp.com](mailto:info@greyp.com)

Web: [www.greyp.com](http://www.greyp.com)

