








LIVING SPACES




**MAYA OUTDOOR 4 PIECE LOUNGE SET**  
**20C221S-W**  
**284228**

**Assembly Instruction**

**Parts List:**

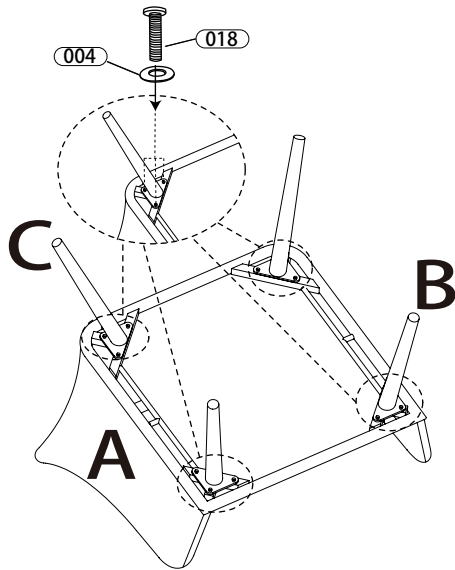
REF	DESCRIPTION	IMAGE	QTY
A	SEAT		1
B	FRONT LEG		2
C	HIND LEG		2
D	CUSHION		1
E	BACK PAD		1

**Hardware List:**

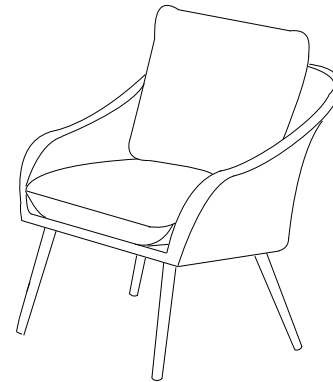
REF	DESCRIPTION	IMAGE	QTY
018	BOLT (M6*15L)		12
004	WASHER (M6, ID Φ6.5, OD Φ12)		12
001	ALLEN WRENCH (M6)		1

**Diagram:**

**Step 1**



**Step 2**



**Assembly Steps:**

**Tip-** Remove protective wrapping and lay all parts on floor. Identify all parts packed in Carton against attached parts list to make sure all parts are presented.

**Step 1:** Place a protective soft material on floor. Lay seat (A) upside down on floor, the bottom is facing up. Then attach leg (B) and leg (C) to the bottom, as shown in diagram, using bolt (018) and washer (004).






**Step 2:** After all bolts are aligned properly before tightening. With a second person's assistance carefully turn the chair over onto its legs. Make sure legs rest on a flat surface. Put the seat cushion and back cushion on the sofa.

**NOTE:** IT IS USER'S RESPONSIBILITY TO MAKE SURE ALL PARTS ARE ASSEMBLED AND TIGHTENED PROPERLY AND SECURELY.




**MAYA OUTDOOR 4 PIECE LOUNGE SET**  
**20C221S-W-D**  
**284228**

# Assembly Instruction

## Parts List:

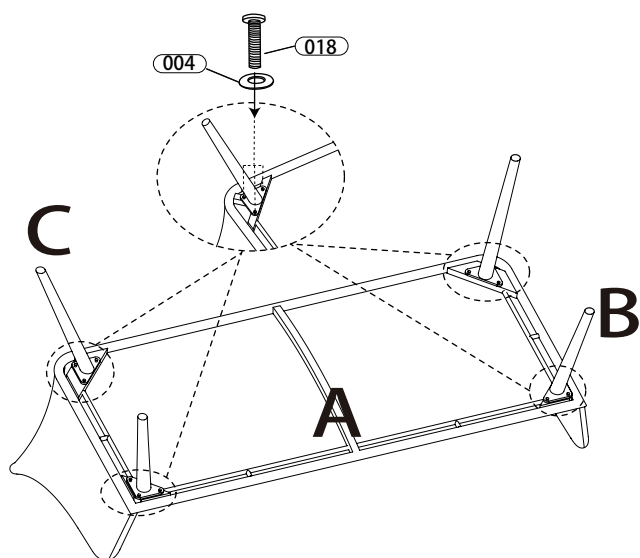
REF	DESCRIPTION	IMAGE	QTY
A1	SEAT		1
B	FRONT LEG		2
C	HIND LEG		2
D1	CUSHION		1
E1	BACK PAD		2

## Hardware List:

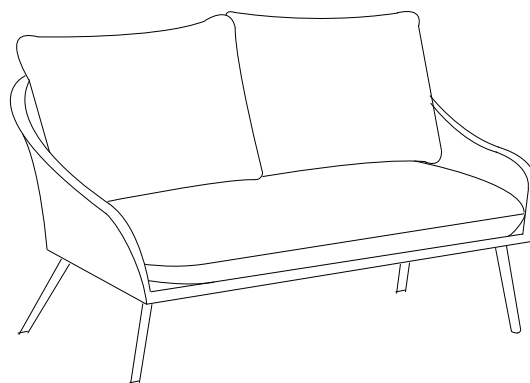
REF	DESCRIPTION	IMAGE	QTY
018	BOLT(M6*15L)		12
004	WASHER (M6,IDΦ6.5,ODΦ12)		12
001	ALLEN WRENCH (M6)		1

## Diagram:

### Step 1



### Step 2



### Assembly Steps:

**Tip-** Remove protective wrapping and lay all parts on floor. Identify all parts packed in Carton against attached parts list to make sure all parts are presented.

**Step 1:** Place a protective soft material on floor. Lay seat (A1) upside down on floor, the bottom is facing up. Then attach leg (B) and leg (C) to the bottom, as shown in diagram, using bolt (018) and washer (004).



**Step 2:** After all bolts are aligned properly before tightening. With a second person's assistance carefully turn the chair over onto its legs. Make sure legs rest on a flat surface. Put the seat cushion and back cushion on the sofa.

**NOTE:** IT IS USER'S RESPONSIBILITY TO MAKE SURE ALL PARTS ARE ASSEMBLED AND TIGHTENED PROPERLY AND SECURELY.




**MAYA OUTDOOR 4 PIECE LOUNGE SET**  
**20CT221S-W**  
**284228**

# Assembly Instruction

**Parts List:**

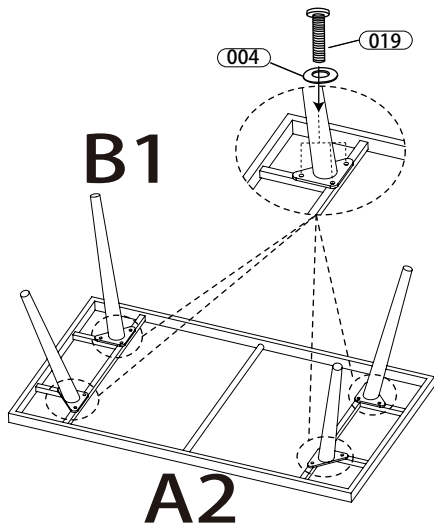
REF	DESCRIPTION	IMAGE	QTY
A2	DESKTOP		1
B1	LEG		4

**Hardware List:**

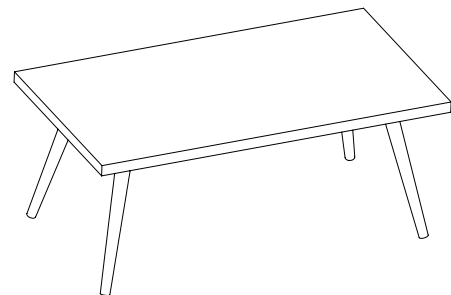
REF	DESCRIPTION	IMAGE	QTY
019	BOLT (M6*20L)		12
004	WASHER (M6,IDΦ6.5,ODΦ12)		12
001	ALLEN WRENCH (M6)		1

**Diagram:**

**Step 1**



**Step 2**



**Assembly Steps:**

**Tip-** Remove protective wrapping and lay all parts on floor. Identify all parts packed in Carton against attached parts list to make sure all parts are presented.

**Step 1:** Place a protective soft material on floor. Lay desktop (A2) upside down on floor, the bottom is facing up. Then attach leg (B1) to the bottom, as shown in diagram, using bolt (019) and washer (004).

**Step 2:** After all bolts are aligned properly before tightening. With a second person's assistance carefully turn the chair over onto its legs. Make sure legs rest on a flat surface.

**NOTE:** IT IS USER'S RESPONSIBILITY TO MAKE SURE ALL PARTS ARE ASSEMBLED AND TIGHTENED PROPERLY AND SECURELY.