

产品承认书

SPECIFICATION FOR APPROVAL

客户 Customer: _____

产品名称 Model Name: RS232 to RS485 Device

产品编号 Model number: TXB027

日期 Date: _____

SIGNATURE:

业务 SALES	工程 ENG	制造 MFG	品质 QUALITY
APPROVED BY	CHECKED BY	CHECKED BY	TESTED BY

CUSTOMER APPROVAL:

CUSTOMER APPROVAL BY	
DATE	

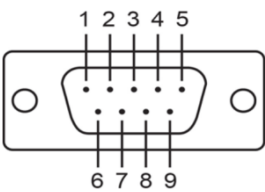
1、Product Photo




3、Product specification

Model number	TXB027
Chipset	ZT323+ZT485
Port number	1*fe-male com port,1*RS485 port
Standard	compatible with RS232 and RS485 standard
LED Indicator	NA
Baud rate	300bps~115200bps
Dimension	57*34*19mm
Power Input	No need or DC9V
Power Consumption	Max0.15W
Environment	Operating Temperature: -10 °C-55 °C
	Relative Humidity: 10%-90%(non-condensing)
	Storage Temperature: -40°C-85°C
	Relative Humidity: 5%-90%(non-condensing)

RS232 Pin define:

DB9 Fe-Male	Pin	RS-232
	1	DCD
	2	TXD
	3	RXD
	4	DTR
	5	GND
	6	DSR
	7	RTS
	8	CTS
	9	RI

RS485 Pin define:

4P	Pin	RS-485
	1	A
	2	B
	3	GND
	4	VCC