

Official Bulletin of the Industrial Property

Inventions

Utility Models

Designs

Trademarks

Geographical Indications



საქართველოს ინტელექტუალური
საკუთრების ეროვნული ცენტრი

საქპატენტი

SAKPATENTI

NATIONAL INTELLECTUAL PROPERTY
CENTER OF GEORGIA

www.sakpatenti.gov.ge

Date of Publication – 2021 12 27

23(579)

INID CODES FOR IDENTIFICATION OF BIBLIOGRAPHIC DATA

INVENTIONS, UTILITY MODELS

- (10) Number of publication for application, which has been examined
- (11) Number of patent and kind of document
- (21) Serial number of application
- (22) Date of filing of the application
- (23) Date of exhibition or the date of the earlier filing and the number of application, if any
- (24) Date from which patent may have effect
- (31) Number of priority application
- (32) Date of filing of priority application
- (33) Code of the country or regional organization allotting priority application number
- (44) Date of publication of application not granted, but examined and number of bulletin
- (45) Date of publication of registered document
- (51) International Patent Classification Index

- (54) Title of the invention
- (57) Abstract
- (60) Number of examined patent document granted by foreign patent office, date from which patent has effect and country code
- (62) Number of the earlier application and in case of divided application, date of filing an application
- (71) Name, surname and address of applicant (country code)
- (72) Name, surname of inventor (country code)
- (73) Name, surname and address of patent owner (country code)
- (74) Name, surname of representative or patent attorney
- (85) Date of commencement of the national phase of International Application
- (86) Number and date of filing of international application
- (87) Number and date of publication of international application
- (94) Calculated date of expiry of the SPC or the duration of the SPC

DESIGNS

- (10) Number of publication for application
- (11) Number of patent and kind of document or number of registration
- (15) Date of registration/Date of patent renewal
- (18) Expected expiration date of patent or registration
- (21) Serial number of application
- (22) Date of filing of the application
- (23) Date of exhibition or the date of the earlier filing and the number of application, if any
- (24) Date from which patent may have effect
- (28) Number of designs included in the application
- (30) Data relating to priority (number of application, date of filing of application, two-letter code identifying the authority with whom the priority application was made)
- (31) Number of priority application
- (32) Date of filing of priority application
- (33) Code of the country or regional organization allotting priority application number
- (34) Two-letter code according to WIPO St.3 identifying the authority with which the priority application was made
- (44) Date of publication of design and number of bulletin (the first publication)
- (45) Date of publication of design registered by WIPO and number of bulletin

- (51) International Classification for designs (class and subclass of the Locarno Classification)
- (54) Title of the invention
- (55) Reproduction of the design
- (57) Description of characteristic features of the design including indication of colors
- (58) Date of recording of any kind of amendment in the Register
- (62) Number of the earlier application, registration and document number and if available the date of filing an application in case of divided application
- (71) Name, surname and address of applicant (country code)
- (72) Name, surname of creator (country code)
- (73) Name, surname and address of patent owner (country code)
- (74) Name, surname of representative or patent attorney
- (81) Contracting states concerned
 - II designated contracting states according to the 1960 Act
 - III designated contracting states according to the 1999 Act
- (85) Owner's permanent address
- (86) Owner's nationality
- (87) Owner's residence
- (88) State in which the owner has a real and effective industrial or commercial establishment

TRADEMARKS

- (111) - Number of registration
- (151) - Date of registration
- (156) - Date of the renewal
- (181) - Expected expiration date of registration
- (186) - Renewal expiration date of registration
- (141) - Date of cancel of duration of the mark
- (210) - Serial number of application
- (220) - Date of filing of the application
- (230) - Data concerning exhibition
- (260) - Number of application, for which favorable decision of examination about registration has been taken (publication number)
- (310) - Number of the first application
- (320) - Date of filing of the first application
- (330) - Code, identifying national or regional Office where the first application was made
- (511) - International Classification of Goods and Services for the purposes of registration of trade marks and/or list of goods and/or services classified according thereto
- (526) - Disclaimer
- (531) - Description of figurative elements of Trade Marks according to the International Classification of the Figurative Elements of Marks

- (540) - Reproduction of Trade Mark
- (550) - Nature and kind of Trade Mark
- (551) - Indication to the effect that the mark is a collective mark, a certification mark or a guarantee mark
- (554) - Three-dimensional mark
- (580) - Date of recording of any kind changes in respect of applications or registrations
- (591) - Information concerning colors claimed
- (731) - Name and address of the applicant
- (732) - Name and address of the holder of the registration
- (740) - Name and address of the representative
- (750) - Addreses for correspondence
- (770) - Name and address of the previous applicant or holder in case of change in ownership
- (771) - Previous name and address of the applicant or holder in case of change in ownership
- (791) - Name and address of the licensee
- (793) - Indication of conditions and/or restrictions under the license (Type of license, number of license agreement, data of license, data of validity of license)
- (800) - Certain data relating to the international registration of Trade Marks under the Protocol Relating to Madrid Agreement (International registration number
- (852) - Partial cancellation of the list of goods and services
- (891) - Date of subsequent designation

CODES FOR PUBLICATION IN BULLETIN

- (21) AP 0000 000000 - serial number of application for invention
- (10) AP 0000 0000 A - number of published application for invention (first publication)
- (11) P 0000 0000 B - number of patent for invention (second publication)
- (21) API 0000 000000 - number of application for imported patent
- (11) PI 0000 0000 A - number of imported patent (first publication)
- (21) AU 0000 000000 - serial number of application for utility model
- (10) AU 0000 000 U - number of published application for utility model (first publication)
- (11) U 0000 000 Y - number of patent for utility model (second publication)
- (21) AD 0000 000000 - serial number of application for design
- (10) AD 0000 000 S - number of published application for design (first publication)
- (11) D 0000 000 S - registered design

INTERNATIONAL PATENT CLASSIFICATION FOR INVENTIONS AND UTILITY MODELS

- SECTION A - HUMAN NECESSITIES
- SECTION B - PERFORMING OPERATIONS; TRANSPORTING
- SECTION C - CHEMISTRY; METALLURGY
- SECTION D - TEXTILES; PAPER
- SECTION E - FIXED CONSTRUCTIONS
- SECTION F - MECHANICAL ENGINEERING; LIGHTING; HEATING; WEAPONS; BLASTING
- SECTION G - PHYSICS
- SECTION H - ELECTRICITY

-
- M - Trade Mark
 - (210) AM 0000 000000 - Serial number of application;
 - (260) AAM 0000 00000 A - Publication number of application;
 - (111) M 0000 00000 R - Number of registration;
 - (111) MMM0000 00000 Rn - Number of renewals, in which n=1,2,3;
 - (111) M 0000 00000 R(P) - Number of registration under partial assignment of rights
-

Official Bulletin of the Industrial Property

Inventions

Utility Models

Designs

Trademarks

Geographical Indications

CONTENTS

PUBLISHED TITLES OF PROTECTION	3
INVENTIONS	
APPLICATIONS APPROVED FOR GRANTING PATENT	4
UTILITY MODELS	
▪ APPLICATIONS APPROVED FOR GRANTING PATENT	6
▪ PATENTED UTILITY MODEL	8
DESIGNS	
▪ APPLICATION APPROVED FOR REGISTRATION	9
▪ DESIGNS, WICH HAVE BEEN REGISTERED WITH THE INTERNATIONAL BUREAU CLAIMING PRIORITY ON THE TERRITORY OF GEORGIA	10
TRADEMARKS	
▪ APPLICATIONS FILED UNDER THE NATIONAL PROCEDURE APPROVED FOR REGISTRATION	16
▪ REGISTERED TRADEMARKS	27
▪ TRADEMARKS REGISTERED ACCORDING TO THE ACCELERATED PROCEDURE	31
▪ INTERNATIONAL TRADEMARKS FOR WHICH A DECISION ON GRANTING PROTECTION IS TAKEN	34
▪ INTERNATIONAL TRADEMARKS PROTECTED IN GEORGIA	106
GEOGRAPHICAL INDICATION	
REGISTERED GEOGRAPHICAL INDICATIONS	112
OFFICIAL NOTIFICATIONS	
INVENTIONS	
▪ RESTORATION OF PATENTS	113
▪ ABOLITION OF PATENT WITH THE RIGHT TO RESTORE	113
▪ EXPIRATION OF TERM OF RESTORATION OF PATENTS	114
UTILITY MODEL	
ABOLITION OF PATENT WITH THE RIGHT TO RESTORE	114
DESIGNS	
▪ EXTENSION OF TERMS OF DESIGN REGISTRATION	115
▪ CANCELLATION OF DESIGN REGISTRATION	115
▪ EXTENTION OF TERMS OF INTERNATIONAL DESIGNS REGISTRATION	115
▪ CANCELLATION OF INTERNATIONAL DESIGNS REGISTRATION	117
TRADEMARKS	
▪ EXTENSION OF TERMS OF REGISTRATION	118
▪ COMPLET TRANSFER OF RIGHTS	122
▪ CHANGES OF NAMES AND/OR ADDRESSES OF OWNERS	124
▪ CANCELLATION OF TRADEMARKS REGISTRATION	125
▪ CHANGES OF GOODS AND/OR SERVICES OF TRADEMATK	127
CLASSIFICATION INDEXES	
INVENTIONS	128
UTILITY MODELS	129
DESIGN	130
TRADEMARKS	131

PUBLISHED TITLES OF PROTECTION

INVENTIONS

APPLICATIONS APPROVED FOR GRANTING PATENT:

15397; 15226; 15276; 15157; 15524

UTILITY MODELS

APPLICATIONS APPROVED FOR GRANTING PATENT:

15507; 15591

PATENTED UTILITY MODEL:

2102

DESIGNS

APPLICATION APPROVED FOR REGISTRATION:

1232

DESIGNS, WHICH HAVE BEEN REGISTERED WITH THE INTERNATIONAL BUREAU CLAIMING PRIORITY ON THE TERRITORY OF GEORGIA:

213583; 216347

TRADEMARKS

APPLICATIONS FILED UNDER THE NATIONAL PROCEDURE APPROVED FOR REGISTRATION:

103959*; 111153; 111156; 112680; 112689; 112899; 112903-112905; 112932, 112933; 112935, 112936; 113013; 113017, 113018; 113024; 113039; 113049; 113051; 113101; 113103, 113104; 113118; 113140; 113143; 113191; 113193- 113195; 113199-113203; 113205; 113209; 113211; 113227-113229; 113233; 113240; 113263, 113264; 113267; 113274; 113276; 113279; 113286; 113348; 113362; 113364; 113382, 113383; 113407; 113409; 113413; 113424; 113491

REGISTERED TRADEMARKS:

34812-34835; 34846-34861

TRADEMARKS REGISTERED ACCORDING TO THE ACCELERATED PROCEDURE:

34806-34811; 34636-34845

INTERNATIONAL TRADEMARKS FOR WHICH A DECISION ON GRANTING PROTECTIONS IS TAKEN:

109796*; 109888*; 109973*; 110919; 111801; 111925-111929; 112023; 112025-112029; 112099; 112100-112105; 112108, 112109; 112119; 112136-112140; 112215, 112216; 112248; 112322; 112331-112334; 112336; 112340; 112358, 112359; 112424-112426; 112436; 112439; 112444; 112446; 112455-112458; 112460-112462; 112464; 112466; 112514, 112515; 112517; 112522-112525; 112529; 112531; 112536; 112552-112554; 112562; 112564-112566; 112572; 112643-112647; 112655, 112656; 112742, 112743; 112752-112756; 112777-112779; 112781; 112783; 112787-112791; 112802, 112803; 112812-112814; 112816; 112859-112863; 112974, 112975; 112979; 113092; 113150

INTERNATIONAL TRADEMARKS PROTECTED IN GEORGIA:

110082; 110394; 110402; 110500; 110502, 110503; 110552; 110565-110567; 110569; 110572; 110577; 110628-110630; 110699, 110700; 110707, 110708; 110713-110715; 110730; 110732; 110828, 110829; 110844-110849; 110851, 110852; 110895-110897; 110899; 110915; 110917, 110918; 110926; 110929; 110931, 110932; 110982-110984; 111013; 111033; 111035-111039; 111094-111096; 111102-111106; 111137-111142; 111144, 111145

GEORGRAPHICAL INDICATION

REGISTERED GEOGRAPHICAL INDICATIONS:

23, 24

INVENTIONS

APPLICATIONS APPROVED FOR GRANTING PATENT

The decision can be appealed at the Chamber of Appeal of Sakpatenti within 3 months from the publication or at the Mtskheta District Court Administrative Cases Board (Address: №17, Samkhedro St., Mtskheta), within 1 month following the publication.

PART A

A 01

- (10) AP 2021 15397 A (51) Int. Cl. (2006)
A 01 M 99/00
A 01 M 1/026
G 01 N 33/00
G 01 N 27/123
G 01 N 33/0073
G 01 N 33/0047
- (21) AP 2019 15397 (22) 2019 02 01
(31) 62/625,000
(32) 2018 02 01
(33) US
(71) Sensor Development Corporation (US)
141 Innovation Dr., SM 322, Elyria,
OH 44035, USA (US)
(72) SMILANICH, Nicholas Joseph (US);
REICHERT, Samuel Firestone (US);
TUDRON, Frank Bernard (US)
(74) Shalva Gvaramadze
(85) 2020 07 24
(86) PCT/US2019/016335 , 2019 02 01
(54) DEVICE FOR DETECTING INSECT
LARVAE AND ADULT INSECTS IN
STORED PRODUCTS BY SENSING
THEIR VOLATILE PHEROMONES
AND SEMIOCHEMICALS
(57) Minimal-cost, high-accuracy, and portable devices used to detect the presence of insects at all stages of life, including in the egg stage, in stored products by sensing gas phase markers such as volatile pheromones, semiochemicals, and kairomones. The methods, devices, and systems disclosed herein utilize a sensor array configured to simultaneously measure a plurality of target markers and filter background gases while remaining compact, highly accurate, and easy to operate.
Claims: 3 independents
18 dependents
Fig.: 24
-

A 61

- (10) AP 2021 15226 A (51) Int. Cl. (2006)
A 61 K 31/137
A 61 K 31/42
A 61 K 31/506
A 61 K 31/551
A 61 K 31/7008
A 61 K 45/06
- (21) AP 2018 15226 (22) 2018 04 26
(31) 62/491,504; 62/558,814
(32) 2017 04 28; 2017 09 14
(33) US; US
(71) The Brigham And Women's Hospital, Inc. (US)
75 Francis St. Boston, MA 02115, USA (US)
(72) WELLMAN, D. Andrew (US);
TARANTO-MONTEMURRO, Luigi (US)
(74) Giorgi Kartvelishvili
(85) 2019 11 26
(86) PCT/US2018/029518, 2018 04 26
(54) METHODS AND COMPOSITIONS FOR
TREATING SLEEP APNEA
(57) Usage of combination of norepinephrine reuptake inhibitor (NRI) and muscarinic receptor antagonist for the treatment of conditions associated with pharyngeal airway muscle collapse.
Claims: 4 independents
40 dependents
Fig.: 10
-

- (10) AP 2021 15276 A (51) Int. Cl. (2006)
A 61 K 39/05
A 61 K 39/00
- (21) AP 2018 15276 (22) 2018 07 13
(31) 201721025513
(32) 2017 07 18
(33) IN
(71) Serum Institute Of India Pvt LTD (IN)
212/2, Off Soli Poonawalla Rd., Hadapsar,
Pune, Maharashtra, 411028, India (IN)
(72) SHITOLE, Anil Vyankatrao (IN);
RAKESH, Kumar (IN);
SHARMA, Inder Jit (IN);
DODDAPANENI, Manohar (IN);
SHARMA, Hitt Jyoti (IN)
(74) Giorgi Ghvinjilia
(85) 2020 02 14
(86) PCT/IB2018/055180, 2018 07 13

(54) IMMUNOGENIC COMPOSITION HAVING IMPROVED STABILITY, ENHANCED IMMUNOGENICITY AND REDUCED REACTOGENICITY AND PROCESS FOR PREPARATION THEREOF

(57) An invention relates to immunogenic composition comprising the following: diphtheria toxoid antigen, tetanus toxoid/anatoxin, pertussis inactivated whole cell antigen, hepatitis B surface antigen (HBsAg), haemophilus influenzae type B (Hib) capsular saccharide conjugated to tetanus toxoid/ anatoxin as to carrier protein, inactivated polio virus (IPV) antigen, total aluminum (Al^{3+}) as aluminium phosphate adjuvant, 2-phenoxyethanol (2-PE) as preservative, NaCl as a diluent or buffer wherein the composition is fully liquid combination vaccine showing improved immunogenicity, reduced reactogenicity and improved stability at 2-8°C and room temperature conditions. The invention relates to the development of liquid vaccine composition, as well.

Claims: 2 independents
12 dependents

-
- (10) AP 2021 15157 A (51) Int. Cl. (2006)
A 61 K 45/06
A 61 K 31/519
A 61 K 31/337
A 61 P 35/00
- (21) AP 2018 15157 (22) 2018 01 05
(31) 62/527,360; 62/443,082; 17157779.4
(32) 2017 06 30; 2017 01 06; 2017 02 24
(33) US; US; EP
(71) Novartis AG (CH)
Lichtstrasse 35, Basel 4056, Switzerland (CH);
LES LABORATOIRES SERVIER (FR)
35, rue de Verdun, 92284 Suresnes Cedex,
France (FR)
- (72) PORTER, Dale (US);
HALILOVIC, Ensar (US);
CHANRION, Maïa (FR);
MARAGNO, Ana Leticia (FR);
GENESTE, Olivier (FR);
MERINO, Delphine (AU);
VAILLANT, François (AU);
VISVADER, Jane (AU);
LINDEMAN, Geoffrey (AU);
LESSENE, Guillaume (AU);
MARANGONI, Elisabetta (AU)
- (74) Tamaz Shilakadze
(85) 2019 08 02
(86) PCT/EP2018/050298, 2018 01 05
- (54) COMBINATION OF A MCL-1 INHIBITOR AND A TAXANE COMPOUND, USES AND PHARMACEUTICAL COMPOSITIONS THEREOF
- (57) combination comprising (a) MCL-1 inhibitor or enantiomers, diastereoisomers, atropisomers or pharmaceutically acceptable acid or basic additive salts

thereof, and (b) taxane compound, which is paclitaxel or docetaxel for simultaneous, sequential or separate usage. Pharmaceutical composition on the bases of said combination, and used for cancer treatment.

Claims: 6 independents
16 dependents

Table: 5
Fig.: 15

PART B

B 61

- (10) AP 2021 15524 A (51) Int. Cl. (2006)
B 61 H 1/00
F 16 D 69/00
F 16 D 65/06
- (21) AP 2019 15524 (22) 2019 04 11
(31) 2018119426
(32) 2018 05 25
(33) RU
(71) Public Joint Stock Company "Ural Plant of Auto-Textile Products" (RU)
Plekhanov St., 64, Asbest, Sverdlovsk rgn.
624269, Russian Federation (RU)
- (72) SUKHAREV, Evgeniy Albertovich (RU);
ROMANENKO, Vitaliy Valerievich (RU);
KUZMINYIKH, Andrey Germanovich (RU)
- (74) Larisa Amirkhanyan
(85) 2020 12 24
(86) PCT/RU2019/000237, 2019 04 11
- (54) BRAKE SHOE FOR A RAIL VEHICLE
(57) Rail vehicle brake shoe comprises metal frame and composite polymeric friction element provided with transverse recess at its center having rounded edges, and diameters of rounded areas in the tread plane of wheel are selected from the relationship $D=0.45-1.8\Pi$, where D is the diameters of the rounded areas, and Π is the permissible tread wear of the wheel.
- Claims: 1 independent
-

UTILITY MODELS

APPLICATIONS APPROVED FOR GRANTING PATENT

The decision can be appealed at the Chamber of Appeal of Sakpatenti within 3 months from the publication or at the Mtskheta District Court Administrative Cases Board (Address: №17, Samkhedro St., Mtskheta), within 1 month following the publication.

PART C

C 01

- (10) AU 2021 15507 U (51) Int. Cl. (2006)
C 01 G 51/00
C 04 B 35/32
H 01 L 35/00
- (21) AU 2020 15507 (22) 2020 12 05
- (71) Nikoloz Margiani (GE)
Vazha-Pshavela Ave. 4th qu., bld. 4, app. 27,
0186, Tbilisi, Georgia (GE);
Giorgi Mumladze (GE)
Politkovskaya St. 47, app. 91, 0186, Tbilisi,
Georgia (GE);
Vakhtang Zhghamadze (GE)
Varketili 3, 1 mcr.bld. 3, app. 108, 0163,
Tbilisi, Georgia (GE);
Iamze Kvartskhava (GE)
Demetre Tavadzebuli St. 7, app. 27, 4400, Poti,
Georgia (GE)
Zurab Adamia (GE)
G. Kartozia St. 1, app. 5, 0177, Tbilisi,
Georgia (GE);
Natia Margiani (GE)
Vazha-Pshavela Ave. 4th qu., bld. 4, app. 27,
0186, Tbilisi, Georgia (GE);
Nino Mumladze (GE)
Politkovskaya St.47, app. 91, 0186, Tbilisi,
Georgia (GE)
- (72) Nikoloz Margiani (GE);
Giorgi Mumladze (GE);
Vakhtang Zhghamadze (GE);
Iamze Kvartskhava (GE);
Zurab Adamia (GE);
Natia Margiani (GE);
Nino Mumladze (GE)
- (54) COBALT BASED OXIDE
THERMOELECTRIC CERAMICS
- (57) Cobalt based oxide thermoelectric ceramics
includes the following oxigens:
Bi₂O₃, SrO, CO₃O₄; at that, additionally includes
Sr(BO₂)₂ with the following ratio of componentry
(mass%):
Bi₂O₃ 56,3 ÷ 57,0
SrO 23,1 ÷ 24,5

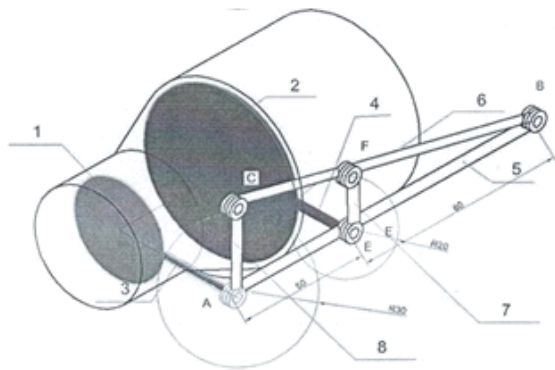
CO₃O₄ 17,5 ÷ 17,7
Sr(BO₂)₂ 1,6 ÷ 3,1
Claims: 1 independent

PART F

F 16

- (10) AU 2021 15591 U (51) Int. Cl. (2006)
F 16 K 1/18
F 16 K 3/04
F 16 K 31/44
- (21) AU 2021 15591 (22) 2021 03 22
- (71) Nia Natbiladze (GE)
Al. Kazbegi Ave. 1 app. 12, 0160, Tbilisi,
Georgia (GE);
Zaal Uplisashvili (GE)
Vill. Dighomi, Didgori St. 91, 0113, Tbilisi,
Georgia (GE);
Aleksandre Kavelashvili (GE)
Vill. Patriketi, Tskaltubo, Georgia (GE);
Murman Khachidze (GE)
Vill. Geguti, K. Gamsakhurdia St. 38,
Tskaltubo, Georgia (GE)
- (72) Nia Natbiladze (GE);
Zaal Uplisashvili (GE);
Aleksandre Kavelashvili (GE);
Murman Khachidze (GE);
(54) MECHANISM REGULATING FLUID
FLOW AT THE JUNCTION OF SMALL AND
LARGE CROSS SECTION OF PIPES
- (57) An equipment includes a case formed with pipes
having small and large diamaters, and a saddle
placed in mentioned pipes with clamping compo-
nentry, and first 1 and second 2 disc-like locking
means inserted therein and having corresponding
diameters. The equipment includes an actuator, as
well. Rotating shafts 3 and 4 are connected to lo-
cking means. The equipment is equipped with rota-
ting mechanism executed as hinge-lever mechanism
with which various rings 5, 6 and 7 the rotating
shafts and the actuator are connected.

Claims: 1 independent
Fig.: 2



ფიგ. 2

PATENTED UTILITY MODEL

PART A

A 61

- (11) U 2021 2102 Y (51) Int. Cl. (2006)
A 61 K 36/00
A 61 K 47/10
- (10) AU 2021 15432 U (44) 15(571)/2021
- (21) AU 2020 15432
- (22) 2020 09 02
- (24) 2020 09 02
- (73) Jumber Kuchukhidze (GE)
Tamarashvili St. 11, app. 158, 0162, Tbilisi,
Georgia (GE)
- (72) Jumber Kuchukhidze (GE);
Malkhaz Jokhadze (GE);
Nana Kipiani (GE);
Manana Iverieli (GE);
Tamuna Kvaratskhelia (GE);
Tamaz Murtazashvili (GE)
- (54) ANTY-INFLAMATORY REMEDY
-

DESIGNS

APPLICATION APPROVED FOR REGISTRATION

The decision can be appealed at the Chamber of Appeal of Sakpatenti within 3 months from the publication or at the Mtskheta District Court Administrative Cases Board (Address: №17, Samkhedro str., Mtskheta), within 1 month following the publication.

- (10) AD 2021 1232 S (51) 02-04
(21) AD 2021 1232 (22) 2021 07 27
(28) 1
(71) Tornike Matiashvili (GE)
Balanchivadze St., corp. 8th, I Ent., app. 34, 0171, Tbilisi, Georgia (GE)
(72) Tornike Matiashvili (GE)
(54) SHOES
(55)



1.1



1.2



1.3



1.4



1.5

DESIGNS, WHICH HAVE BEEN REGISTERED WITH THE INTERNATIONAL BUREAU CLAIMING PRIORITY ON THE TERRITORY OF GEORGIA

The decision can be appealed at the Chamber of Appeal of Sakpatenti within 3 months from the publication or at the Mtskheta District Court Administrative Cases Board (Address: №17, Samkhedro St., Mtskheta), within 1 month following the publication.

- (11) DM/213 583
- (15) 2021 03 31
- (22) 2021 03 31
- (28) 5
- (73) HARRY WINSTON SA
Chemin Du Tourbillon 8, 1228 Plan-les-Ouates (CH)
- (85) CH
- (86) CH
- (87) CH
- (88) CH
- (89) CH
- (81) II. MA III. AL, AM, AZ, BA, BZ, CA, CH, EM, GB, GE, KG, LI, MC, MD, ME, MK, MN, NO, OM, SG, TN, TR, UA
- (72) I Dominique RIVIERE
C/o Harry Winston Inc., 718 Fifth Avenue, 10019, New York, NY (US);
2-3 Delphine ABDOURAHIM
C/o Harry Winston Inc., 718 Fifth Avenue, 10019, New York, NY (US);
4 Rie YATSUGI-KANG
C/o Harry Winston Inc., 718 Fifth Avenue, 10019, New York, NY (US);
5 Delphine ABDOURAHIM
C/o Harry Winston Inc., 718 Fifth Avenue, 10019, New York, NY (US)
- (74) The Swatch Group AG (The Swatch Group SA) (The Swatch Group Ltd.)
Faubourg Du Lac 6, 2501 Biel/Bienne (CH)
- (54) 1. Finger ring, 2. Pair of earrings, 3. Necklace, 4. Bracelet, 5. Wedding ring
- (55)



1.1



1.2



1.3



1.4



1.5



1.6



1.7



1.8



2.1



2.2



2.3



2.4



2.5



2.6



2.7



2.8



3.1



3.2





3.3



3.4



3.5



3.6



3.7



3.8



4.1



4.2



4.3



4.4



4.5



4.6



4.7



4.8



5.1



5.2



5.3



5.4



5.5



5.6



5.7



5.8

- (11) DM/216 347 (51) 32-00
(15) 2021 04 23 (44) 38/2021 (2021-09-24)
(22) 2021 04 23
(28) 2
(73) BEAUTY BRANDS CONCEPT Sp. Z O.o.
Żytunia 19, 05-506 Lesznowola (PL)
(85) --
(86) --
(87) PL
(88) PL
(89) PL
(81) III. AM, AZ, BA, EG, GB, GE, HR, KH, ME, MK, OA, UA
(54) 1.-2. Logo
(55)



TRADEMARKS

APPLICATIONS FILED UNDER THE NATIONAL PROCEDURE APPROVED FOR REGISTRATION

The decision can be appealed at the Chamber of Appeal of Sakpatenti within 3 months from the publication or at the Mtskheta District Court Administrative Cases Board (Address: №17, Samkhedro St., Mtskheta), within 1 month following the publication.

(260) AM 2021 103959 A*
(210) AM 103959
(220) 2019 07 09
(731) LTD "Lagi"
Beliashvili St. 124, Tbilisi, Georgia
(740) Tamriko Gharibashvili
(540)



(591) Blue, white
(531) 27.05.01; 28.19; 29.01.12
(511) 32

(260) AM 2021 111153 A
(210) AM 111153
(220) 2021 06 03
(731) LLC "Amboli"
A. Beliashvili St. 142, 0159, Tbilisi, Georgia
(540)



(591) FFFFFFF white, 231F20 black, ED1A3B red
(531) 26.01.18; 28.19; 29.01.13
(511) 1, 4, 9, 12, 35, 37, 39

(260) AM 2021 111156 A
(210) AM 111156
(220) 2021 06 03
(731) LLC "Amboli"
A. Beliashvili St. 142, 0159, Tbilisi, Georgia
(540)



(591) FFFFFFF white, 231F20 black, ED1A3B red

(531) 26.01.18; 27.05.01; 29.01.13
(511) 1, 4, 9, 12, 35, 37, 39

(260) AM 2021 112680 A
(210) AM 112680
(220) 2021 05 28
(731) Swiss Pharma International AG
Lindenstrasse 22, 8008 Zurich, Switzerland
(740) Giorgi Taktakishvili
(540)



(591) Green, yellow, blue, sky-blue, pink, red, white
(531) 25.01.19; 25.12.03; 25.12.25; 26.04.02;
26.04.09; 29.01.15
(511) 5

(260) AM 2021 112689 A
(210) AM 112689
(220) 2021 04 20
(731) LLC "Auto Import Georgia"
Varketili 3, IV mcr., bld. 413, app. 96,
0163, Isani-Samgori District, Tbilisi,
Georgia

(540)

**AUTO IMPORT GEORGIA**

(591) F90404 red, 000000 black, FFFFFFF white
 (531) 26.04.04; 26.04.22; 26.04.24; 27.05.01;
 27.05.09; 27.05.10; 27.05.17; 27.05.24;
 29.01.13
 (526) GEORGIA
 (511) 12, 39

(260) AM 2021 112899 A
 (210) AM 112899
 (220) 2021 05 07
 (731) LTD "Biopolus"
 I. Nonishvili St. 65, Batumi, Georgia
 (740) Monika Kvaratskhelia
 (540)

ცერებრო-კომბო
CEREBRO-COMB
ЦЕРЕБРО-КОМБ

(591) Black-white
 (511) 5

(260) AM 2021 112903 A
 (210) AM 112903
 (220) 2021 05 10
 (731) LTD "Impexpharm"
 On the right bank of the River Mtkvari, nearby
 the Bacteriophage, 0160, Tbilisi, Georgia
 (740) Nugzar Ksovreli
 (540)

Kehli

(591) Black-white
 (511) 5

(260) AM 2021 112904 A
 (210) AM 112904
 (220) 2021 05 11
 (731) Hard Rock Limited
 26 New Street, St. Helier Jersey
 JE2 3RA
 Channel Islands, United Kingdom
 (740) Tamaz Shilakadze

(540)



(591) Black-white
 (531) 26.11.12
 (511) 35

(260) AM 2021 112905 A
 (210) AM 112905
 (220) 2021 05 11
 (731) Hard Rock Limited
 26 New Street, St. Helier Jersey JE2 3RA
 Channel Islands, United Kingdom
 (740) Tamaz Shilakadze
 (540)

LIVE GREATNESS

(591) Black-white
 (511) 35

(260) AM 2021 112932 A
 (210) AM 112932
 (220) 2021 05 13
 (731) Yunnan Tobacco International Co., Ltd
 №345 Panjing Street, Panlong District,
 Kunming City, Yunnan Province, China
 (740) Tamaz Shilakadze
 (540)



(591) Black, grey, white
 (531) 05.03.11; 05.03.14; 27.05.01; 27.05.08;
 27.05.17; 27.05.22
 (511) 11, 34

(260) AM 2021 112933 A
 (210) AM 112933
 (220) 2021 05 13
 (731) Reckitt & Colman (Overseas) Health Limited
 103-105 Bath Road, Slough, Berkshire,
 SL1 3UH, United Kingdom

(740) Liliana Darakhvelidze
(540)



(591) Light green, dark green, yellow, white
(531) 26.07.05; 29.01.13
(511) 3, 5

(260) AM 2021 112935 A
(210) AM 112935
(220) 2021 05 13
(731) Maker's Mark Distillery Inc.
100 Mallard Creek Road, Suite 151, Louisville,
Kentucky 40207, USA
(740) Shalva Gvaramadze
(540)

MAKER'S MARK

(591) Black-white
(511) 33

(260) AM 2021 112936 A
(210) AM 112936
(220) 2021 05 13
(731) LLC "LTB"
Tornike Eristavi St. 2, Tbilisi, Georgia
(740) Giorgi Taktakishvili
540



(591) Green, white
(531) 14.03.01; 26.04.07; 27.05.23; 28.19; 29.01.12
(511) 6, 20, 35, 37, 39, 40, 41

(260) AM 2021 113013 A
(210) AM 113013
(220) 2021 05 14
(731) The Procter & Gamble Company
One Procter & Gamble Plaza, Cincinnati,
Ohio 45202, USA
(740) Merab Kvimsadze
(540)



(591) Black, white
(531) 24.01.01; 24.01.03; 24.01.17; 27.05.02
(511) 3

(260) AM 2021 113017 A
(210) AM 113017
(220) 2021 05 14
(731) Beka Lezhava
Archil Betaneli St. 13, 0132, Tbilisi, Georgia
(540)

aborigine აბორიგენი

(591) Black-white
(511) 33, 35

(260) AM 2021 113018 A
(210) AM 113018
(220) 2021 05 14
(731) Unilever IP Holdings B.V.
Weena 455, Rotterdam 3013 AL, Netherlands
(740) Shalva Gvaramadze
(540)

LIFEBUOY

(591) Black-white
(511) 3, 5

(260) AM 2021 113024 A
(210) AM 113024
(220) 2021 05 17
(731) Joint Stock Company "Yantar"
Moscow Prospect, House 1A, Voronezh,
Russian Federation
(740) Aleksandre Gotsiridze

(540)



(591) White, red, blue

(531) 25.01.15; 25.01.17; 25.01.19; 28.05; 29.01.14

(511) 29

(260) AM 2021 113039 A

(210) AM 113039

(220) 2021 05 19

(731) Nihon Nohyaku Co., Ltd
19-8, Kyobashi 1-chome, Chuo-ku, Tokyo,
Japan

(740) Tamaz Shilakadze

(540)

PYRANICA

(591) Black-white

(511) 5

(260) AM 2021 113049 A

(210) AM 113049

(220) 2021 05 20

(731) The Procter & Gamble Company
One Procter & Gamble Plaza, Cincinnati, Ohio
45202, USA

(740) Merab Kvimsadze

(540)



(591) Black-white

(531) 24.01.01; 24.01.03; 24.01.17; 27.05.01;
27.05.02

(511) 3

(260) AM 2021 113051 A

(210) AM 113051

(220) 2021 05 20

(731) KUA YUE Express Group Co., Ltd
1st-8th Floor, Building A, Lufthansa Park,
Shenzhen Airport Terminal 4th Road, Hourui
Community, Hangcheng Street, Baoan District,
Shenzhen City, Guangdong Province, China

(740) Merab Kvimsadze

(540)

KUAYUE-EXPRESS

(591) Black-white

(531) 27.05.01

(511) 39

(260) AM 2021 113101 A

(210) AM 113101

(220) 2021 05 21

(731) LTD "OP-ART"
Panaskerteli St. 17, app. 33, 0194,
Tbilisi, Georgia

(740) Zurab Bezhashvili

(540)



(591) 000000 black, FF4A11 orange

(531) 26.04.01; 26.04.03; 26.04.09; 27.05.01;
29.01.12

(526) ART

(511) 20

(260) AM 2021 113103 A

(210) AM 113103

(220) 2021 05 21

(731) Turtle Wax Inc.
2250 West Pinehurst Boulevard, Suite 150,
Addison, Illinois, 60101, USA

(740) Tamar Kotchlamazashvili

(540)



(591) Green, white

(531) 03.11.11; 09.07.01; 09.07.17; 09.07.25;
29.01.03

(511) 3

(260) AM 2021 113104 A

(210) AM 113104

(220) 2021 05 21

(731) Turtle Wax Inc.
2250 West Pinehurst Boulevard, Suite 150,
Addison, Illinois, 60101, US

(740) Tamar Kotchlamazashvili

(540)



(591) Green, white, grey
 (531) 03.11.11; 09.07.01; 09.07.17; 09.07.25;
 26.01.02; 26.01.04; 26.01.15; 29.01.12
 (511) 3

(260) AM 2021 113118 A
 (210) AM 113118
 (220) 2021 05 24
 (731) LLC "INI Group"
 M. Kostava St. 76, app. 9a, 0171, Tbilisi,
 Georgia
 (540)

სოფიკო
Sofiko

(591) Black-white
 (511) 43

(260) AM 2021 113140 A
 (210) AM 113140
 (220) 2021 05 27
 (731) Hankook Tire & Technology Co., Ltd
 286, Pangyo-ro, Bundang-gu, Seongnam-si,
 Gyeonggi-do, Republic of Korea
 (740) Tamaz Shilakadze
 (540)

Winter i*cept iON

(591) Black-white
 (531) 27.05.01; 27.05.09; 27.05.10
 (511) 12

(260) AM 2021 113143 A
 (210) AM 113143
 (220) 2021 05 27
 (731) LTD "Pizzaiola"
 Nikoloz Kipshidze St. 4, app. 74, Tbilisi,
 Georgia
 (540)

FARINA

(591) white, red
 (531) 27.05.01; 29.01.01

(511) 43

(260) AM 2021 113191 A
 (210) AM 113191
 (220) 2021 05 28
 (731) LLP "Ornado Medicine - ორნადო მედიცინა"
 Vill. Irganchai, St. 14, II Lane 1, 1707, Dmanisi
 Municipality, Georgia

(540)

КАРОХИН
კაროქსინი
КАПОКСИН

(591) Black-white
 (511) 5

(260) AM 2021 113193 A
 (210) AM 113193
 (220) 2021 05 28
 (731) LLP "Ornado Medicine - ორნადო მედიცინა"
 Vill. Irganchai, St. 14, II Lane 1, 1707, Dmanisi
 Municipality, Georgia
 (540)

DES FAROL
დესფაროლი
ДЕСФАРОЛ

(591) Black-white
 (511) 5

(260) AM 2021 113194 A
 (210) AM 113194
 (220) 2021 05 28
 (731) LLP "Ornado Medicine - ორნადო მედიცინა"
 Vill. Irganchai, St. 14, II Lane 1, 1707, Dmanisi
 Municipality, Georgia
 (540)

ORNAMIX
ორნამიქსი
ОРНАМИКС

(591) Black-white
 (511) 5

(260) AM 2021 113195 A
 (210) AM 113195
 (220) 2021 05 28
 (731) LLP "Ornado Medicine - ორნადო მედიცინა"
 Vill. Irganchai, St. 14, II Lane 1, 1707, Dmanisi
 Municipality, Georgia

(540)

ORNAENZYM
ორნაენზიმი
ОРНАЭНЗИМ

(591) Black-white

(511) 5

(260) AM 2021 113199 A

(210) AM 113199

(220) 2021 05 28

(731) LTD "Helios Pharma"

Ilia Chavchavadze Av. 17g, 0179,
 Tbilisi, Georgia

(540)

MAUGLY
მაუგლი
МАУГЛИ

(591) Black-white

(511) 5

(260) AM 2021 113200 A

(210) AM 113200

(220) 2021 05 28

(731) LTD "Helios Pharma"

Ilia Chavchavadze Av. 17g, 0179,
 Tbilisi, Georgia

(540)

FSIQOLEPT
ფსიქოლეპტი
ПСИКОЛЕПТ

(591) Black-white

(511) 5

(260) AM 2021 113201 A

(210) AM 113201

(220) 2021 05 28

(731) LTD "Helios Pharma"

Ilia Chavchavadze Av. 17g, 0179,
 Tbilisi, Georgia

(540)

FEMINITY ACTIVE
ფემინიტი აქტივი
ФЕМИНИТИ АКТИВ

(591) Black-white

(511) 5

(260) AM 2021 113202 A

(210) AM 113202

(220) 2021 05 28

(731) LTD "Helios Pharma"

Ilia Chavchavadze Av. 17g, 0179,
 Tbilisi, Georgia

(540)

MIRTOZA 30
მირტოზა 30
МИРТОЗА 30

(591) Black-white

(511) 5

(260) AM 2021 113203 A

(210) AM 113203

(220) 2021 05 28

(731) LTD "Helios Pharma"

Ilia Chavchavadze Av. 17g, 0179,
 Tbilisi, Georgia

(540)

LEVICOM 500
ლევიკომი 500
ЛЕВИКОМ 500

(591) Black-white

(511) 5

(260) AM 2021 113205 A

(210) AM 113205

(220) 2021 05 29

(731) LTD "Clocks"

Tashkent St. 14, app. 31, 0160, Tbilisi,
 Georgia

(740) Ana Mikadze

(540)



(591) Light grey, golden

(531) 27.05.01; 27.05.10; 27.05.22; 28.19; 29.01.07

(511) 35, 43

(260) AM 2021 113209 A

(210) AM 113209

(220) 2021 05 30

(731) Mariam Gogitidze

E. Tatishvili St. 19, app. 15, 0179,
 Tbilisi, Georgia

(540)

**ბბოგო
Skhivi**

(591) Black-white
(511) 30, 31, 32, 33, 43

(260) AM 2021 113211 A
(210) AM 113211
(220) 2021 05 30
(310) 2021722063
(320) 2021 04 13
(330) RU
(731) Reckitt & Colman (Overseas) Hygiene Home Limited
103-105 Bath Road, Slough, Berkshiri,
SL1 3UH, United Kingdom
(740) Liliana Darakhvelidze
(540)



(591) Green, sky-blue, morengo, red, white, dark blue, light green, yellow, light yellow, light blue, black, light sky-blue, dark green
(531) 01.15.07; 01.15.09; 12.03.01; 12.03.07; 24.15.01; 24.15.08; 24.15.13; 24.15.17; 27.05.02; 27.05.03; 27.07.02; 29.01.15
(511) 3, 5

(260) AM 2021 113227 A
(210) AM 113227
(220) 2021 05 31
(731) Ruslan Kikava
Vill. Ortabatumi, 6400, Khelvachauri,
Georgia

(540)

COGO

(591) Black-white
(511) 28, 35

(260) AM 2021 113228 A
(210) AM 113228
(220) 2021 05 31
(731) LLC "Agritouch"
Tskneti Highway 7, app. 9, Tbilisi,
Georgia

(540)



(591) White, green, grey
(531) 26.04.02; 26.04.04; 26.04.22; 26.04.24; 26.11.12; 29.01.12
(511) 31, 35, 39

(260) AM 2021 113229 A
(210) AM 113229
(220) 2021 05 31
(731) Tamaz Shilakadze
Ana Politkovskaya St. 8g, 0186,
Tbilisi, Georgia

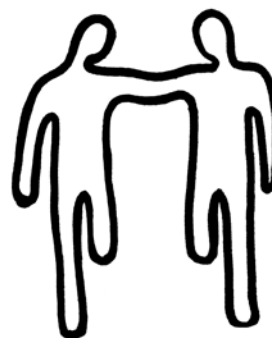
(540)



(591) White, black, red, dark purple
(531) 07.11.01; 07.11.10; 26.11.08; 29.01.13
(511) 16, 35, 37, 38, 41, 42

(260) AM 2021 113233 A
(210) AM 113233
(220) 2021 05 31
(731) Ketevan Chkhikvishvili
Sarajishvili St. 7, III Line, Tbilisi,
Georgia

(540)



(591) Black-white

(531) 02.01.16; 02.01.23; 02.01.24
(511) 25, 33

(260) AM 2021 113240 A
(210) AM 113240
(220) 2021 06 01
(731) LTD "Kartuli Tema"
Irakli Gamrekeli St. 35v, 0186, Tbilisi,
Georgia

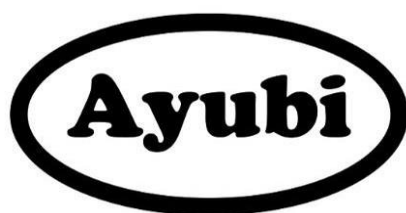
(540)



(554) Three Dimensional
(591) FFFFFFF yellow, pink, red, green, white, blue,
black, orange
(531) 03.07.05; 03.07.24; 04.02.20; 08.07.11;
19.03.01; 19.03.15; 19.03.25; 29.01.15
(511) 28, 30

(260) AM 2021 113263 A
(210) AM 113263
(220) 2021 06 02
(731) Miranda Kiria
Tskhemi St. 16, 0108, Mtatsminda District,
Tbilisi, Georgia

(540)



(591) 050101 black, white
(531) 26.01.02; 26.01.20; 27.05.01
(511) 25, 35

(260) AM 2021 113264 A
(210) AM 113264
(220) 2021 06 02
(731) LTD "Logo"
G. Mdivani St. 3a, Tbilisi, Georgia
(740) Vakhtang Torotadze

(540)



(591) A82121 Bordeaux, 26883c green,
FFFFFF white, 000000 black
(531) 01.07.06; 01.07.19; 05.07.10; 27.05.01;
27.05.11; 27.05.24; 29.01.14
(511) 29, 30, 32, 33

(260) AM 2021 113267 A
(210) AM 113267
(220) 2021 06 02
(731) LLP Mikadze, Gegetchkori, Taktakishvili
Kato Mikeladze St. 3, 0159, Tbilisi, Georgia
(540)



MIKADZE | GEGETCHKORI | TAKTAKISHVILI

(591) Golden, black
(531) 27.05.01; 27.05.22; 29.01.13
(511) 45

(260) AM 2021 113274 A
(210) AM 113274
(220) 2021 06 02
(310) 35985
(320) 2021 05 31
(330) AD
(731) Philip Morris Products S.A.
Quai Jeanrenaud 3, Neuchâtel, 2000,
Switzerland
(740) Pavle Meipariani
(540)

ART FOR AIR

(591) Black-white
(511) 34

(260) AM 2021 113276 A
(210) AM 113276
(220) 2021 06 03
(731) LTD "Baraqa"

Petre Kavtaradze St., III Lane 4, app. 43,
Vake District, Tbilisi, Georgia
(740) Elene Tskrialashvili
(540)



(591) EDA526 dark yellow, white
(531) 25.01.25; 26.15.01; 29.01.12
(511) 1, 5, 7, 35, 44

(260) AM 2021 113279 A
(210) AM 113279
(220) 2021 06 03
(731) Ruslan Bolkvadze
Javakhishvili St. 78, app. 48, Batumi,
Georgia
(540)



(591) White, black, blue
(531) 02.01.16; 02.03.17; 11.03.04; 19.03.24
(511) 30

(260) AM 2021 113286 A
(210) AM 113286
(220) 2021 06 03
(731) Ketevan Vashalomidze
Shalva Nutsubidze St. 127, app. 85, 0186,
Tbilisi, Georgia
(540)



(591) Black-white
(531) 05.01.03; 05.01.05; 05.01.11; 05.01.16;
05.11.15; 27.05.01; 28.19
(511) 43

(260) AM 2021 113348 A
(210) AM 113348
(220) 2021 06 04
(731) Spribe OU
Kesklina District, Tartu Rd. 83-701, Tallinn,
10115, Estonia
(540)



(591) E20735 red, white
(531) 18.05.01; 18.05.03; 27.05.01; 29.01.01
(511) 9

(260) AM 2021 113362 A
(210) AM 113362
(220) 2021 06 04
(731) Sabiedriba Ar Ierobezotu Atbildibu
"h.a.brieger"
Malu Iela 30, Riga, 1058, Latvia
(740) Rusudan Chkuaseli;
Mikheil Shatashvili;
Mariam Gubianuri
(540)

H.A.Brieger

(591) Black-white
(511) 3, 5, 35

(260) AM 2021 113364 A
(210) AM 113364
(220) 2021 06 04
(731) Sabiedriba ar Ierobezotu Atbildibu
"H.A.BRIEGER"
Malu Iela 30, Riga, 1058, Latvia
(740) Mikheil Shatashvili;
Mariam Ghubianuri;
Rusudan Chkuaseli
(540)



(591) Black-white
 (531) 27.05.01; 27.05.19
 (511) 3, 5

(260) AM 2021 113382 A
 (210) AM 113382
 (220) 2021 06 07
 (731) Al Sultan Alalamia Sweets
 87652, Parcel ID 356-251, Office 308, Owned
 by Mohammed Abdul Rahman Mohammed Al
 Ali, Umm Suqeim First, Dubai, United Arab
 Emirates
 (740) Pavle Meipariani
 (540)



(591) Dark green, light green, golden, white
 (531) 01.01.05; 01.01.10; 07.05.08; 28.01; 29.01.12
 (511) 30

(260) AM 2021 113383 A
 (210) AM 113383
 (220) 2021 06 07
 (731) Al Sultan Alalamia Sweets
 87652, Parcel ID 356-251, Office 308, Owned
 by Mohammed Abdul Rahman Mohammed Al
 Ali, Umm Suqeim First, Dubai, United Arab
 Emirates
 (740) Pavle Meipariani
 (540)



(591) Dark green, light green, golden, white
 (531) 01.01.01; 01.01.05; 01.01.10; 07.05.08; 28.01;
 29.01.13
 (511) 43

(260) AM 2021 113407 A
 (210) AM 113407
 (220) 2021 06 09
 (310) 40 2020 0228409
 (320) 2020 12 14
 (330) KR
 (731) KT & G Corporation
 71, Beotkkot-gil, Daedeok-gu, Daejeon,
 Republic of Korea
 (740) Giorgi Taktakishvili
 (540)

Fiit REGULAR DEEP

(591) Black-white
 (511) 34

(260) AM 2021 113409 A
 (210) AM 113409
 (220) 2021 06 09
 (310) 40 2020 0228406
 (320) 2020 12 14
 (330) KR
 (731) KT & G Corporation
 71, Beotkkot-gil, Daedeok-gu, Daejeon,
 Republic of Korea
 (740) Giorgi Taktakishvili
 (540)

Fiit TROPIC

(591) Black-white
 (511) 34

(260) AM 2021 113413 A
 (210) AM 113413
 (220) 2021 06 09
 (731) KT & G Corporation
 71, Beotkkot-gil, Daedeok-gu, Daejeon,
 Republic of Korea
 (740) Giorgi Taktakishvili
 (540)

LIL SOLID

(591) Black-white
 (511) 9, 11, 34

(260) AM 2021 113424 A

(210) AM 113424

(220) 2021 06 09

(731) LTD "Plex"

Vazha-Pshavela Av., VI qu., corp. 22, app. 51,
Tbilisi, Georgia

(540)



BEARD.GE

(591) Black-white

(531) 02.01.01; 02.09.12

(526) .GE

(511) 3

(260) AM 2021 113491 A

(210) AM 113491

(220) 2021 06 14

(731) Unilever IP Holdings B.V.

Weena 455, Rotterdam 3013 AL, Netherlands

(740) Shalva Gvaramadze

(540)



(591) Black-white

(531) 24.13.01; 24.13.13; 24.13.14; 24.13.22

(511) 3, 5

REGISTERED TRADEMARKS

(111) M 2021 34812 R (151) 2021 12 10 (181) 2031 12 10 (260) AM 2020 105975 A (220) 2020 09 29 (732) LLC "Tchrebalo Cellar" Chrebalo, 0418, Ambrolauri Municipality, Georgia	Quai Jeanrenaud 3, 2000 Neuchâtel, Switzerland
(111) M 2021 34813 R (151) 2021 12 10 (181) 2031 12 10 (260) AM 2020 108206 A (220) 2020 11 27 (732) Bekar Mikaberidze Ingorokva St. 26, 0108, Tbilisi, Georgia	(111) M 2021 34818 R (151) 2021 12 10 (181) 2031 12 10 (260) AM 2020 110454 A (220) 2020 11 09 (732) Davit Lanchava Al. Kazbegi Ave. 24, Tbilisi, Georgia
(111) M 2021 34814 R (151) 2021 12 10 (181) 2031 12 10 (260) AM 2021 108878 A (220) 2021 01 14 (732) LTD "Innova Services" Il. Chavchavadze Av. 49b, app. 23a, 0162, Tbilisi, Georgia	(111) M 2021 34819 R (151) 2021 12 10 (181) 2031 12 10 (260) AM 2020 110680 A (220) 2020 11 30 (732) Platinum Wines Sp. z o.o. Ul. Wolodyjowskiego 70/1, Warszawa, 02-724, Poland
(111) M 2021 34815 R (151) 2021 12 10 (181) 2031 12 10 (260) AM 2020 109919 A (220) 2020 09 25 (732) FAHRI HÜROĞLU Küçük Sanayi Sitesi 25/A Blok N0:23 Nilüfer, Bursa, Turkey, Turkey	(111) M 2021 34820 R (151) 2021 12 10 (181) 2031 12 10 (260) AM 2020 110551 A (220) 2020 11 20 (732) Shalva Khetsuriani Queen Tamara Av. 17, 01112, Tbilisi, Georgia
(111) M 2021 34816 R (151) 2021 12 10 (181) 2031 12 10 (260) AM 2020 110278 A (220) 2020 10 23 (732) Erekle Grishkashvili Potskhverashvili St. 14, 0112, Tbilisi, Georgia	(111) M 2021 34821 R (151) 2021 12 10 (181) 2031 12 10 (260) AM 2020 110774 A (220) 2020 12 08 (732) LLC "Online Moll" V. Barnov/Tarkhnishvili St. 49/29, app. 6, Tbilisi, Georgia
(111) M 2021 34817 R (151) 2021 12 10 (181) 2031 12 10 (260) AM 2020 110288 A (220) 2020 10 26 (732) Philip Morris Products S.A.	(111) M 2021 34822 R (151) 2021 12 10 (181) 2031 12 10 (260) AM 2020 110786 A (220) 2020 12 10 (732) "KDV Yashkino" LTD Molodezhnaya St.1a, pgt. Yashkino, Kemerovskaya Oblast, 652010, Russian Federation

(111) M 2021 34823 R (151) 2021 12 10 (181) 2031 12 10 (260) AM 2020 110787 A (220) 2020 12 10 (732) "KDV Yashkino" LTD Molodezhnaya St.1a, pgt. Yashkino, Kemerovskaya Oblast, 652010, Russian Federation	(111) M 2021 34829 R (151) 2021 12 10 (181) 2031 12 10 (260) AM 2021 111417 A (220) 2021 01 25 (732) Toyota Jidosha Kabushiki Kaisha (also trading as Toyota Motor Corporation) 1, Toyota-cho, Toyota-shi, Aichi-ken, Japan
(111) M 2021 34824 R (151) 2021 12 10 (181) 2031 12 10 (260) AM 2020 110791 A (220) 2020 12 11 (732) LTD "Rich Group" Vill. Mughanlo, Marneuli Region, Georgia	(111) M 2021 34830 R (151) 2021 12 10 (181) 2031 12 10 (260) AM 2021 111436 A (220) 2021 01 27 (732) Novartis AG 4002 Bazeli, Switzerland
(111) M 2021 34825 R (151) 2021 12 10 (181) 2031 12 10 (260) AM 2020 110876 A (220) 2020 12 15 (732) Off-White LLC 360 Hamilton Ave., N100 White Plains, New York, 10601, USA	(111) M 2021 34831 R (151) 2021 12 10 (181) 2031 12 10 (260) AM 2021 111579 A (220) 2021 02 05 (732) LTD "Nugios Technology" T. Eristavi St. 1, 0159, Tbilisi, Georgia
(111) M 2021 34826 R (151) 2021 12 10 (181) 2031 12 10 (260) AM 2021 111320 A (220) 2021 01 15 (732) Huntsman International LLC 10003 Woodloch Forest Drive, the Woodlands, Texas 77380, USA	(111) M 2021 34832 R (151) 2021 12 10 (181) 2031 12 10 (260) AM 2021 111588 A (220) 2021 02 07 (732) LLC "Shanidze and Nikoladze Law Group" Maia Tskneteli St., Lane 3, Vill. Tskneti, 0181, Didgori District, Tbilisi, Georgia
(111) M 2021 34827 R (151) 2021 12 10 (181) 2031 12 10 (260) AM 2021 111327 A (220) 2021 01 18 (732) Obshestvo s Ogranichennoy Otvetstvennostju "Parapharm" Ul. Sverdlova, dom 4, 440026, Penza, Russian Federation	(111) M 2021 34833 R (151) 2021 12 10 (181) 2031 12 10 (260) AM 2021 111612 A (220) 2021 02 11 (732) LTD "Pitusako" Vani St. 4, Didube-Chughureti District, Tbilisi, Georgia
(111) M 2021 34828 R (151) 2021 12 10 (181) 2031 12 10 (260) AM 2021 111332 A (220) 2021 01 20 (732) LTD "Aversi-Pharma" Davit Aghmashebeli Av. 148, 0112, Tbilisi, Georgia	(111) M 2021 34834 R (151) 2021 12 10 (181) 2031 12 10 (260) AM 2021 111613 A (220) 2021 02 11 (732) LTD "Pitusako" Vani St. 4, Didube-Chughureti District, Tbilisi, Georgia

(111) M 2021 34835 R
(151) 2021 12 10
(181) 2031 12 10
(260) AM 2021 111614 A
(220) 2021 02 11
(732) Elguja Bubuteishvili
Z. Paliashvili St. 62, 0179, Tbilisi, Georgia

(111) M 2021 34846 R
(151) 2021 12 18
(181) 2031 12 18
(260) AM 2020 110284 A
(220) 2020 10 25
(732) Western Union Holdings Inc.
7001 East Bellevue Avenue, Denver,
Colorado 80237, USA

(111) M 2021 34847 R
(151) 2021 12 18
(181) 2031 12 18
(260) AM 2020 110293 A
(220) 2020 10 27
(732) LTD "Kartveli"
Kakheti Highway 110a, 0151, Isani-Samgori
District, Tbilisi, Georgia

(111) M 2021 34848 R
(151) 2021 12 18
(181) 2031 12 18
(260) AM 2020 110388 A
(220) 2020 11 05
(732) LTD "Beauty Lab"
Sulkhan Tsintsadze St. 85, app. 19, 0160,
Tbilisi, Georgia

(111) M 2021 34849 R
(151) 2021 12 18
(181) 2031 12 18
(260) AM 2020 110542 A
(220) 2020 11 18
(732) Novartis AG
4002 Basel, Switzerland

(111) M 2021 34850 R
(151) 2021 12 18
(181) 2031 12 18
(260) AM 2020 110544 A
(220) 2020 11 19
(732) LTD "Kartveli"
Kakheti Highway 110a, 0151, Isani-Samgori
District, Tbilisi, Georgia

(111) M 2021 34851 R
(151) 2021 12 18
(181) 2031 12 18
(260) AM 2020 110675 A
(220) 2020 11 28
(732) Shenzhen Relx Technology Co., Ltd
B402, Boton Technology Park, No.1044
Chaguang Road, Shuguang Community, Xi Li
Sub-District, Nan Shan District, Shenzhen
City, China

(111) M 2021 34852 R
(151) 2021 12 18
(181) 2031 12 18
(260) AM 2020 110748 A
(220) 2020 12 07
(732) LTD "Kartveli"
Kakheti Highway 110a, 0151, Isani-Samgori
District, Tbilisi, Georgia

(111) M 2021 34853 R
(151) 2021 12 18
(181) 2031 12 18
(260) AM 2020 110749 A
(220) 2020 12 07
(732) LEPL "Georgian Mediators Association"
Ipolite Khvichia St. 19, app. 12, 0160,
Tbilisi, Georgia

(111) M 2021 34854 R
(151) 2021 12 18
(181) 2031 12 18
(260) AM 2021 111425 A
(220) 2021 01 26
(732) Tianjin Toyo Lifting Machine
Manufacture Co., LTD
№ 2005, North BIZ BLDG, 21-B Innovation
Park, №4668, Xinbei Rd, Binhai Tianjin,
300453, China

(111) M 2021 34855 R
(151) 2021 12 18
(181) 2031 12 18
(260) AM 2021 111428 A
(220) 2021 01 26
(732) JSC "Badagoni"
Vill. Zemo Khodasheni, 0910, Akhmeta
Region, Georgia

(111) M 2021 34856 R
(151) 2021 12 18
(181) 2031 12 18
(260) AM 2021 111517 A

(220) 2021 02 02
(732) T.A.O. WORKERS, S.L.
C/ Antoni Barnés i Gultresa №8-17005 Girona,
Spain

(111) M 2021 34857 R
(151) 2021 12 18
(181) 2031 12 18
(260) AM 2021 111541 A
(220) 2021 02 05
(732) JSC "Group "Sverdlovelecetro"
(AO "Group" "Svell")
U. Chernyakhovskogo 61,
Ekaterinebourg, RU-620010 Sverdlovskaya
Oblast, Russian Federation

(111) M 2021 34858 R
(151) 2021 12 18
(181) 2031 12 18
(260) AM 2021 111610 A
(220) 2021 02 11
(732) LTD "Real Motors"
Zurab Chachua St. 49, 0182, Samgori District,
Tbilisi, Georgia

(111) M 2021 34859 R
(151) 2021 12 18
(181) 2031 12 18
(260) AM 2021 111705 A
(220) 2021 02 15
(732) LTD "Dona 2005"
Parnavaz Mepe St. 113-121/16,
Non-residential Area, Batumi, Georgia

(111) M 2021 34860 R
(151) 2021 12 18
(181) 2031 12 18
(260) AM 2021 111719 A
(220) 2021 02 16
(732) LTD "Naqa"
Beridze St. 6, 0198, Mtatsminda District,
Tbilisi, Georgia

(111) M 2021 34861 R
(151) 2021 12 18
(181) 2031 12 18
(260) AM 2021 111845 A
(220) 2021 02 23
(732) LTD "Naqa"
Beridze St. 6, Tbilisi, Georgia

TRADEMARKS REGISTERED ACCORDING TO THE ACCELERATED PROCEDURE

The decision can be appealed at the Chamber of Appeal of Sakpatenti within 3 months from the publication.

(111) M 2021 34806 R
(151) 2021 12 07
(181) 2031 12 07
(210) AM 115327
(220) 2021 11 08
(732) LLC "GPP"
M. Kostava St. 47/57, 0179, Tbilisi, Georgia
(540)



(591) Green, red, yellow, orange, white
(531) 01.15.15; 01.15.25; 26.03.01; 26.03.06;
28. 19; 29.01.15
(526) ნოსტე
(511) 29, 30, 35

(111) M 2021 34807 R
(151) 2021 12 06
(181) 2031 12 06
(210) AM 115349
(220) 2021 11 11
(732) LLC "Deutsches Diagnosticum"
Rustavi Highway 271, bld. 13, app. 54, 0165,
Krtsanisi District, Tbilisi, Georgia
(540)



(591) Grey, black, red, yellow, white
(531) 03.11.02; 03.11.03; 24.03.07; 24.07.03;
24.07.23; 24.11.03; 24.13.01; 24.13.09;
24.13.23; 26.01.01; 26.01.04; 26.01.16;
26.01.21; 29.01.15
(526) Georgia Flag Image
(511) 44

(111) M 2021 34808 R
(151) 2021 12 08
(181) 2031 12 08
(210) AM 115590
(220) 2021 11 26
(732) LLC "Vanpharma"
Small town Sioni, Tamar Mepe St. 14, Tianeti
District, Georgia

(540)

DEKAVIT

(591) Black-white
(511) 5

(111) M 2021 34809 R
(151) 2021 12 08
(181) 2031 12 08
(210) AM 115610
(220) 2021 12 02
(732) LLC "RL & Company"
Tianeti St. 57a, Tbilisi, Georgia

(540)



(591) Lilac, yellow, black
(531) 08.01.06; 08.01.12; 08.01.16; 26.04.02;
26.04.16; 27.05.01; 27.05.24; 29.01.13
(511) 43

(111) M 2021 34810 R
(151) 2021 12 08
(181) 2031 12 08
(210) AM 115530
(220) 2021 11 25
(732) JSC "Foodmart"
T. Chantladze St. 40, 1059, Tbilisi, Georgia
(540)



(591) White, red, carnelian
 (531) 01.15.25; 26.01.20; 26.01.24; 26.13.01;
 27.05.01; 27.05.24; 29.01.12
 (511) 29, 30, 32, 35

(111) M 2021 34811 R
 (151) 2021 12 10
 (181) 2031 12 10
 (210) AM 115608
 (220) 2021 12 02
 (732) Sul Khan Tvalchrelidze
 Gombori St. 1/21, 0101, Tbilisi, Georgia
 (740) Giorgi Taktakishvili
 (540)



(591) Black-white
 (531) 04.05.02; 04.05.05; 16.03.13; 27.05.01
 (511) 30, 43

(111) M 2021 34836 R
 (151) 2021 12 17
 (181) 2031 12 17
 (210) AM 115430
 (220) 2021 11 17
 (732) JSC "Alizi"
 Otar Lortkipanidze St. 4, Vake District,
 Tbilisi, Georgia
 (540)

ვიდეზობლოთ

(591) Black-white
 (511) 37

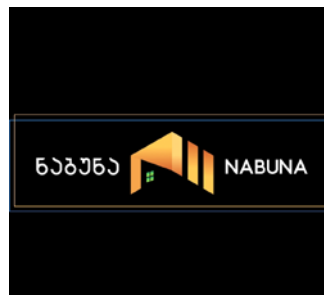
(111) M 2021 34837 R
 (151) 2021 12 17
 (181) 2031 12 17
 (210) AM 115432
 (220) 2021 11 17
 (732) JSC "Alizi"
 Otar Lortkipanidze St. 4, Vake District,
 Tbilisi, Georgia

(540)



(591) White, orange, grey
 (531) 26.11.03; 26.11.06; 26.11.07; 26.11.08; 28.19;
 29.01.12
 (511) 35, 37

(111) M 2021 34838 R
 (151) 2021 12 17
 (181) 2031 12 17
 (210) AM 115742
 (220) 2021 12 10
 (732) Levan Malutashvili
 Shartava Av. 12/67, Rustavi, Georgia
 (740) Giorgi Taktakishvili
 (540)



(591) White, black, sky-blue, green, yellow
 (531) 07.01.24; 07.03.02; 27.05.01; 27.05.24; 28.19;
 29.01.14
 (511) 21, 35

(111) M 2021 34839 R
 (151) 2021 12 17
 (181) 2031 12 17
 (210) AM 115598
 (220) 2021 11 30
 (732) LTD "G-T Group"
 Davit Aghmashenebeli Alley 216, 0131,
 Tbilisi Georgia
 (540)

შპს "ჯი-თი გრუპ"

(591) 000000 black, FFFFFFF white
 (511) 4, 7, 12, 37

(111) M 2021 34840 R
 (151) 2021 12 17
 (181) 2031 12 17
 (210) AM 115307
 (220) 2021 11 05
 (732) LLC "HeidelbergCement Georgia"
 Al. Kazbegi Av. 21, 0160, Tbilisi, Georgia
 (740) Giorgi Taktakishvili
 (540)

HEIDELBERGCEMENT CLASSIC

(591) Black-white
 (511) 19

(111) M 2021 34841 R
 (151) 2021 12 17
 (181) 2031 12 17
 (210) AM 115308
 (220) 2021 11 05
 (732) LLC "HeidelbergCement Georgia"
 Al. Kazbegi Av. 21, 0160, Tbilisi, Georgia
 (740) Giorgi Taktakishvili
 (540)

HEIDELBERGCEMENT SMART

(591) Black-white
 (511) 19

(111) M 2021 34842 R
 (151) 2021 12 17
 (181) 2031 12 17
 (210) AM 115309
 (220) 2021 11 05
 (732) LLC "HeidelbergCement Georgia"
 Al. Kazbegi Av. 21, 0160, Tbilisi, Georgia
 (740) Giorgi Taktakishvili
 (540)

HEIDELBERGCEMENT EXPERT

(591) Black-white
 (511) 19

(111) M 2021 34843 R
 (151) 2021 12 17
 (181) 2031 12 17
 (210) AM 115310
 (220) 2021 11 05
 (732) LLC "HeidelbergCement Georgia"
 Al. Kazbegi Av. 21, 0160, Tbilisi, Georgia
 (740) Giorgi Taktakishvili

(540)

ჰაიდელბერგცემენტი კლასიკი

(591) Black-white
 (511) 19

(111) M 2021 34844 R
 (151) 2021 12 17
 (181) 2031 12 17
 (210) AM 115311
 (220) 2021 11 05
 (732) LLC "HeidelbergCement Georgia"
 Al. Kazbegi Av. 21, 0160, Tbilisi, Georgia
 (740) Giorgi Taktakishvili
 (540)

ჰაიდელბერგცემენტი სმარტი

(591) Black-white
 (511) 19

(111) M 2021 34845 R
 (151) 2021 12 17
 (181) 2031 12 17
 (210) AM 115312
 (220) 2021 11 05
 (732) LLC "HeidelbergCement Georgia"
 Al. Kazbegi Av. 21, 0160, Tbilisi, Georgia
 (740) Giorgi Taktakishvili
 (540)

ჰაიდელბერგცემენტი ექსპერტი

(591) Black-white
 (511) 19

INTERNATIONAL TRADEMARKS FOR WHICH A DECISION ON GRANTING PROTECTIONS IS TAKEN

The decision can be appealed at the Chamber of Appeal of Sakpatenti within 3 months from the publication or at the Mtskheta District Court Administrative Cases Board (Address: №17, Samkhedro St., Mtskheta), within 1 month following the publication.

(260) AM 2021 109796 A*

(800) 1550714

(151) 2020 07 03

(891) 2020 07 03

(731) Bugatti International S.A.

412F, route d'Esch, L-1030 Luxembourg,

Luxembourg

(540)

BUGATTI

(591) Black, white

(511)

24 – Textiles and substitutes for textiles; household linen; curtains of textile or plastic; duvet covers, bed-sheets, pillowcases, towels, bed covers, bed linen and blankets, woollen blankets.

25 – Clothing, footwear, headgear, bathrobes.

(260) AM 2021 109888 A*

(800) 1551935

(151) 2020 05 29

(891) 2020 05 29

(731) Euro Games Technology Ltd.

4, "Maritsa" Str., "Vranya-Lozen-Triugulnika",

BG-1151 Sofia, Bulgaria

(540)



ANCIENT DYNASTY

(591) Brown, gold, orange, green, yellow, white, black and purple

(531) 07.01.05; 27.05.02; 28.03; 29.01.13

(511)

28 – Chips for gambling; gaming chips; gaming tables; roulette chips; poker chips; chips and dice [gaming equipment]; roulette tables; gaming roulette wheels; playing cards for casino games.

41 – Training in the development of software systems; rental of gambling machines for gambling halls; providing casino equipment [gambling]; gaming hall services; games equipment rental; rental of gaming machines; rental of gaming machines with images of fruits; editing or recording of sounds and images; sound recording and video entertainment services; hire of

sound reproducing apparatus; provision of gaming equipment for casinos; providing of casino facilities.

(260) AM 2021 109973 A*

(800) 1552722

(151) 2020 07 03

(891) 2020 07 03

(731) Bugatti International S.A.

412F route d'Esch, L-1030 Luxembourg,

Luxembourg

(540)



(591) Red, white, black, silver

(531) 24.17.02; 26.01.02; 26.01.20; 26.01.24; 27.05.02; 27.05.03; 27.05.14; 27.05.22; 27.05.24; 29.01.13; 29.01.14

(511)

24 – Textiles and substitutes for textiles; household linen; curtains of textile or plastic; duvet covers, bed-sheets, pillowcases, towels, bed covers, bed linen and blankets, woollen blankets.

25 – Clothing, footwear, headgear, bathrobes.

(260) AM 2021 110919 A

(800) 584207

(151) 1992 02 28

(891) 2020 11 30

(731) Dr. Martens, International Trading GmbH

Ahornstraße 8a; 82166 Gräfelfing, Germany;

Dr. Maertens Marketing GmbH

An der Ach 3; 82402 Seeshaupt, Germany

(540)

DR. MARTENS

(591) Black, white

(531) 27.05.01

(511)

18 – Leather and imitation leather, goods made of leather and imitations of leather, namely containers not adapted to the products they are intended to contain as well as small leather items, in particular purses, wa-

llets, key cases; animal skins and hides; trunks and suitcases, bags, small bags, rucksacks, shopping bags, special briefcases for holding books and school satchels (all said products made of leather, imitation leather, textiles and plastics); containers, namely travelling sets (leatherware); umbrellas, parasols and walking sticks; whips and saddlery.

25 – Clothing, headwear; accessories for garments, namely scarves, neck scarves, hooded capes, fichus, hoods, sweatbands, gloves, tights, socks and belts; boots, shoes and parts thereof.

(260) AM 2021 111801 A
(800) 1576473
(151) 2020 12 07
(891) 2020 12 07
(731) Individual entrepreneur Cherkashina Maria Grigorievna
ul. Studencheskaya, 44/28, kv. 94, Moscow,
RU-121165, Russian Federation

(540)

MEERA

(591) Black, white

(511)

9 – Monitors [computer programs]; computer software, recorded; computer software platforms, recorded or downloadable; computer software applications, downloadable; computer programs, recorded; computer game software, downloadable; computer game software, recorded; computer programs, downloadable; computer operating programs, recorded; computer screen saver software, recorded or downloadable.

45 – Intellectual property consultancy; licensing [legal services] in the framework of software publishing; licensing of intellectual property; licensing of computer software [legal services]; personal background investigations; copyright management; legal administration of licences; online social networking services.

(260) AM 2021 111925 A
(800) 468014
(151) 1982 02 26
(891) 2021 02 11
(731) SAMBONET PADERNO INDUSTRIE S.P.A.
Via Giovanni Coppo, 1C, Frazione Orfengo,
I-28060 Casalino (NO), Italy

(540)

PADERNO

(591) Black, white

(531) 27.05.01; 27.05.17

(511)

8 – Large forks.

21 – Stockpots, Dutch ovens, saucepans, frying pans, lids, strainers in general, tomato strainers, saucepans for milk, serving dishes and frying pans for fish, roasting pans, serving dishes, dinner plates, soup plates, cups, basins, drinking glasses, food containers, boxes of all shapes (for foodstuffs), containers for household and kitchen use, drinking flasks for travelers, buckets, ladles, skimmers, scoops (tableware), kettles and non-electric coffee pots, ricers and non-electric fruit presses, cake molds, bowls, pitchers, bottles, bed warmers, soup bowls.

(260) AM 2021 111926 A
(800) 1115069
(151) 2012 03 26
(891) 2021 01 20
(731) EPL SYSTEMS LTD
Gladstonos, 116, M. KYPRIANOU HOUSE,
3&4th floor, Limassol, CY-3032, Cyprus

(540)



FIRING ICE

(591) Black, white

(531) 26.01.04; 26.01.18; 27.05.10

(511)

14 – Diamonds; diamond Jewellery; Jewellery ornaments; diamond Jewellery ornaments; Jewellery with precious stones; works of art of precious metal; watch cases; clock cases; chronometrical instruments; precious stones; Jewellery with precious stones; watches with diamonds; watches with precious stones; Jewellery cases [caskets].

35 – Advertising; business management; business administration; including: import-export agencies; demonstration of goods; marketing studies; commercial information and advice for consumers [consumer advice shop]; updating of advertising material; Organization of exhibitions for commercial or advertising purposes; Organization of trade fairs for commercial or advertising purposes; presentation of goods on communication media, for retail purposes; sales promotion for others; distribution of samples; commercial administration of the licensing of the goods and services of others; administrative processing of purchase orders; procurement services for others [purchasing goods and services for other businesses].

(260) AM 2021 111927 A

(800) 1482811

(151) 2019 07 08

(891) 2021 01 27

(731) Obschestvo s ogranichennoy otvetstvennost'yu
"NL Kontinent"

ul. Yadrintsevskaya, d. 53/1, of. 1015,

RU-630099 Novosibirsk, Russian

Federation

(540)



(591) Black, white

(531) 27.05.10

(511)

3 – Abrasives; amber [perfume]; descaling preparations for household purposes; antistatic preparations for household purposes; aromatics [essential oils]; air fragrancing preparations; cake flavorings [essential oils]; flavorings for beverages [essential oils]; food flavorings [essential oils]; breath freshening sprays; canned pressurized air for cleaning and dusting purposes; balms, other than for medical purposes; basma [cosmetic dye]; lip glosses; nail glitter; polishing stones; abrasive paper; emery paper; polishing paper; petroleum jelly for cosmetic purposes; shoe polish; cobblers' wax; cotton wool for cosmetic purposes; sachets for perfuming linen; drying agents for dish-washing machines; adhesives for cosmetic purposes; scented water; Javelle water; lavender water; toilet water; wax for parquet floors; floor wax; non-slipping wax for floors; depilatory wax; mustache wax; creams for leather; polish for furniture and flooring; shoemakers' wax; polishing wax; tailors' wax; massage gels, other than for medical purposes; heliotropine; dental bleaching gels; geraniol; make-up; deodorants for pets; deodorants for human beings or for animals; depilatory preparations; air fragrance reed diffusers; scented wood; perfumes; non-slipping liquids for floors; windshield cleaning liquids; greases for cosmetic purposes; volcanic ash for cleaning; perfumery; decorative transfers for cosmetic purposes; ionone [perfumery]; shaving stones [astringents]; smoothing stones; eyebrow pencils; cosmetic pencils; silicon carbide [abrasive]; carbides of metal [abrasives]; alum stones [astringents]; tripoli stone for polishing; adhesives for affixing false eyelashes; adhesives for affixing false hair; hair conditioners; quillia bark for washing; corundum [abrasive]; beard dyes; colorants for toilet purposes; cosmetic dyes; laundry starch; laundry glaze; polishing creams; cosmetic creams; skin whitening

creams; polishing rouge; incense; hair spray; nail polish; hair lotions; lotions for cosmetic purposes; aftershave lotions; beauty masks; oils for cleaning purposes; oils for perfumes and scents; oils for cosmetic purposes; oils for toilet purposes; essential oils; essential oils of cedarwood; essential oils of lemon; essential oils of citron; bergamot oil; gaultheria oil; jasmine oil; lavender oil; almond oil; rose oil; oil of turpentine for degreasing; whitening; cleaning chalk; almond milk for cosmetic purposes; cleansing milk for toilet purposes; musk [perfumery]; soap; deodorant soap; shaving soap; soap for brightening textile; cakes of toilet soap; antiperspirant soap; soap for foot perspiration; almond soap; mint for perfumery; cosmetic kits; emery; gel eye patches for cosmetic purposes; nail art stickers; false nails; eau de Cologne; bases for flower perfumes; joss sticks; pastes for razor strops; dentifrices; pumice stone; lipstick cases; hydrogen peroxide for cosmetic purposes; breath freshening strips; teeth whitening strips; abrasive cloth; glass cloth [abrasive cloth]; lipsticks; pomades for cosmetic purposes; breath freshening preparations for personal hygiene; shaving preparations; bath preparations, not for medical purposes; cosmetic preparations for baths; hair straightening preparations; hair waving preparations; laundry soaking preparations; grinding preparations; smoothing preparations [starching]; color-removing preparations; leather bleaching preparations; polishing preparations; denture polishes; mouthwashes, not for medical purposes; cosmetic preparations for slimming purposes; starch glaze for laundry purposes; preparations to make the leaves of plants shiny; refurbishing preparations; eye-washes, not for medical purposes; fabric softeners for laundry use; laundry bleach; dry-cleaning preparations; paint stripping preparations; lacquer-removing preparations; make-up removing preparations; floor wax removers [scouring preparations]; varnish-removing preparations; rust removing preparations; nail care preparations; cleaning preparations; preparations for cleaning dentures; wallpaper cleaning preparations; preparations for unblocking drain pipes; chemical cleaning preparations for household purposes; collagen preparations for cosmetic purposes; bleaching preparations [decolorants] for household purposes; laundry preparations; aloe vera preparations for cosmetic purposes; sunscreen preparations; color-brightening chemicals for household purposes [laundry]; shining preparations [polish]; make-up powder; diamantine [abrasive]; stain removers; nail varnish removers; vaginal washes for personal sanitary or deodorant purposes; scouring solutions; false eyelashes; tissues impregnated with cosmetic lotions; tissues impregnated with make-up removing preparations; baby wipes impregnated with cleaning preparations; saftrol; massage candles for cosmetic purposes; laundry blueing; turpentine for degreasing; potpourris [fragrances]; bleaching soda; washing soda, for cleaning; bath salts, not for medical purposes; bleaching salts; fumigation preparations [perfumes]; preserva-

tives for leather [polishes]; ammonia [volatile alkali] [detergent]; astringents for cosmetic purposes; eyebrow cosmetics; make-up preparations; sun-tanning preparations [cosmetics]; hair dyes; neutralizers for permanent waving; cosmetic preparations for eyelashes; cosmetic preparations for skin care; shoe cream; cosmetics; cosmetics for children; cosmetics for animals; mascara; detergents, other than for use in manufacturing operations and for medical purposes; cleansers for intimate personal hygiene purposes, non medicated; douching preparations for personal sanitary or deodorant purposes [toiletries]; degreasers, other than for use in manufacturing processes; bleaching preparations [decolorants] for cosmetic purposes; toiletry preparations; antiperspirants [toiletries]; phytocosmetic preparations; talcum powder, for toilet use; cotton sticks for cosmetic purposes; terpenes [essential oils]; emery cloth; cloths impregnated with a detergent for cleaning; henna [cosmetic dye]; shampoos; shampoos for animals [non-medicated grooming preparations]; shampoos for pets [non-medicated grooming preparations]; dry shampoos; sandpaper; soda lye; herbal extracts for cosmetic purposes; extracts of flowers [perfumes]; ethereal essences; badian essence; mint essence [essential oil].

5 – Acaricides; aconitine; alkaloids for medical purposes; alginates for pharmaceutical purposes; algicides; aldehydes for pharmaceutical purposes; dental amalgams of gold; dental amalgams; amino acids for veterinary purposes; amino acids for medical purposes; analgesics; anaesthetics; antibiotics; antiseptics; medicine cases, portable, filled; first-aid boxes, filled; aluminium acetate for pharmaceutical purposes; acetates for pharmaceutical purposes; germicides; balms for medical purposes; bandages for dressings; diagnostic biomarker reagents for medical purposes; biocides; bracelets impregnated with insect repellent; bromine for pharmaceutical purposes; paper for mustard plasters; fly catching paper; reagent paper for veterinary purposes; reagent paper for medical purposes; mothproofing paper; petroleum jelly for medical purposes; vaccines; oxygen baths; antiseptic cotton; aseptic cotton; absorbent cotton; wadding for medical purposes; cotton for medical purposes; dietetic substances adapted for medical use; radiological contrast substances for medical purposes; nutritive substances for microorganisms; radioactive substances for medical purposes; bismuth subnitrate for pharmaceutical purposes; melissa water for pharmaceutical purposes; sea water for medicinal bathing; mineral waters for medical purposes; thermal water; dietary fiber; molding wax for dentists; gases for medical purposes; guaiacol for pharmaceutical purposes; sexual stimulant gels; hematogen; hemoglobin; hydrastine; hydrastinine; glycerine for medical purposes; glycerophosphates; glucose for medical purposes; gentian for pharmaceutical purposes; hormones for medical purposes; mustard for pharmaceutical purposes; mustard plasters; mud for baths; medicinal mud; gamboge for medical

purposes; gurjun balsam for medical purposes; disinfectants; deodorants, other than for human beings or for animals; air deodorising preparations; deodorants for clothing and textiles; diastase for medical purposes; digitalin; vitamin supplement patches; mineral food supplements; nutritional supplements; albumin dietary supplements; dietary supplements for animals; yeast dietary supplements; alginate dietary supplements; glucose dietary supplements; casein dietary supplements; lecithin dietary supplements; linseed oil dietary supplements; propolis dietary supplements; protein dietary supplements; protein supplements for animals; royal jelly dietary supplements; pollen dietary supplements; wheat germ dietary supplements; linseed dietary supplements; acai powder dietary supplements; dietary supplements with a cosmetic effect; enzyme dietary supplements; yeast for pharmaceutical purposes; gelatine for medical purposes; cod liver oil; isotopes for medical purposes; immunostimulants; insecticides; iodine for pharmaceutical purposes; iodides for pharmaceutical purposes; alkaline iodides for pharmaceutical purposes; iodoform; calomel [fungicide]; cream of tartar for pharmaceutical purposes; tartar for pharmaceutical purposes; camphor for medical purposes; capsules for medicines; cachets for pharmaceutical purposes; capsules made of dendrimer-based polymers, for pharmaceuticals; hemostatic pencils; wart pencils; caustic pencils; carbolineum [parasiticide]; caustics for pharmaceutical purposes; cachou for pharmaceutical purposes; quassia for medical purposes; quebracho for medical purposes; oxygen for medical purposes; gallic acid for pharmaceutical purposes; acids for pharmaceutical purposes; adhesives for dentures; surgical glues; stem cells for veterinary purposes; stem cells for medical purposes; cocaine; collagen for medical purposes; collodion for pharmaceutical purposes; corn rings for the feet; candy, medicated; angostura bark for medical purposes; barks for pharmaceutical purposes; cedar wood for use as an insect repellent; condurango bark for medical purposes; croton bark; mangrove bark for pharmaceutical purposes; myrobalan bark for pharmaceutical purposes; quinquina for medical purposes; medicated animal feed; medicinal roots; rhubarb roots for pharmaceutical purposes; lint for medical purposes; starch for dietetic or pharmaceutical purposes; creosote for pharmaceutical purposes; blood for medical purposes; cultures of microorganisms for medical or veterinary use; curare; dental lacquer; liquorice for pharmaceutical purposes; lactose for pharmaceutical purposes; candy for medical purposes; adhesive plasters; medicines for alleviating constipation; adhesive tapes for medical purposes; lecithin for medical purposes; lotions for veterinary purposes; medicated hair lotions; lotions for pharmaceutical purposes; medicated after-shave lotions; personal sexual lubricants; lupulin for pharmaceutical purposes; magnesia for pharmaceutical purposes; liniments; frostbite salve for pharmaceutical purposes; ointments for pharmaceutical purposes;

sunburn ointments; mercurial ointments; gauze for dressings; medicinal oils; mustard oil for medical purposes; camphor oil for medical purposes; castor oil for medical purposes; oil of turpentine for pharmaceutical purposes; dill oil for medical purposes; dental mastics; dental abrasives; dental impression materials; teeth filling material; dressings, medical; surgical dressings; drugs for medical purposes; medicines for veterinary purposes; serotherapeutic medicines; medicines for human purposes; medicines for dental purposes; menthol; medicinal drinks; moleskin for medical purposes; almond milk for pharmaceutical purposes; powdered milk for babies; royal jelly for pharmaceutical purposes; milk ferments for pharmaceutical purposes; Irish moss for medical purposes; flour for pharmaceutical purposes; linseed meal for pharmaceutical purposes; fish meal for pharmaceutical purposes; fly glue; antibacterial soap; disinfectant soap; medicated soap; freeze-dried meat adapted for medical purposes; mint for pharmaceutical purposes; dietetic beverages adapted for medical purposes; malted milk beverages for medical purposes; injectable dermal fillers; narcotics; medicinal infusions; tincture of iodine; eucalyptol for pharmaceutical purposes; tinctures for medical purposes; opium; opodeldoc; decoctions for pharmaceutical purposes; antiparasitic collars for animals; cotton sticks for medical purposes; stick liquorice for pharmaceutical purposes; sulfur sticks [disinfectants]; pastilles for pharmaceutical purposes; medicated dentifrices; pectin for pharmaceutical purposes; pepsins for pharmaceutical purposes; peptones for pharmaceutical purposes; hydrogen peroxide for medical purposes; pesticides; food for babies; leeches for medical purposes; blood plasma; nicotine patches for use as aids to stop smoking; eye-patches for medical purposes; poultices; compresses; scapulars for surgical purposes; babies' diapers; diapers for pets; diapers for incontinence; breast-nursing pads; bunion pads; pomades for medical purposes; powder of cantharides; pyrethrum powder; chilblain preparations; mothproofing preparations; anti-uric preparations; bacterial preparations for medical and veterinary use; bacteriological preparations for medical and veterinary use; balsamic preparations for medical purposes; albuminous preparations for medical purposes; biological preparations for veterinary purposes; biological preparations for medical purposes; veterinary preparations; bismuth preparations for pharmaceutical purposes; vitamin preparations; diagnostic preparations for veterinary purposes; diagnostic preparations for medical purposes; douching preparations for medical purposes; bath preparations for medical purposes; therapeutic preparations for the bath; hemorrhoid preparations; preparations for callouses; lice treatment preparations [pediculicides]; acne treatment preparations; preparations to facilitate teething; preparations for the treatment of burns; fumigation preparations for medical purposes; opotherapy preparations; air purifying preparations; bronchodilating

preparations; preparations for reducing sexual activity; sterilising preparations; soil-sterilising preparations; corn remedies; pharmaceutical preparations for treating dandruff; preparations for destroying noxious animals; herbicides; preparations for destroying dry rot fungus; larvae exterminating preparations; fly destroying preparations; preparations for destroying mice; slug exterminating preparations; vermin destroying preparations; pharmaceutical preparations for skin care; contact lens cleaning preparations; lime-based pharmaceutical preparations; preparations of microorganisms for medical or veterinary use; medicated eye-washes; medicinal hair growth preparations; nutraceutical preparations for therapeutic or medical purposes; opiates; anticryptogamic preparations; aloë vera preparations for pharmaceutical purposes; preparations of trace elements for human and animal use; sulfonamides [medicines]; pharmaceutical preparations; pharmaceutical preparations for treating sunburn; enzyme preparations for veterinary purposes; enzyme preparations for medical purposes; phytotherapy preparations for medical purposes; chemico-pharmaceutical preparations; chemical preparations for veterinary purposes; chemical preparations for the diagnosis of pregnancy; chemical preparations for medical purposes; chemical preparations for treating diseases affecting cereal plants; chemical preparations for treating wheat blight; chemical preparations for treating diseases affecting vine plants; chemical preparations for treating mildew; chemical preparations for treating phylloxera; chemical preparations for pharmaceutical purposes; collyrium; lead water; chemical conductors for electrocardiograph electrodes; albuminous foodstuffs for medical purposes; dietetic foods adapted for medical purposes; by-products of the processing of cereals for dietetic or medical purposes; homogenized food adapted for medical purposes; freeze-dried food adapted for medical purposes; pharmaceuticals; sanitary towels; panty liners [sanitary]; propolis for pharmaceutical purposes; pearl powder for medical purposes; radium for medical purposes; solvents for removing adhesive plasters; hydrated chloral for pharmaceutical purposes; vaginal washes for medical purposes; solutions for contact lenses; chemical reagents for medical or veterinary purposes; gum for medical purposes; rubber for dental purposes; chewing gum for medical purposes; nicotine gum for use as an aid to stop smoking; insect repellents; insect repellent incense; repellents for dogs; tissues impregnated with pharmaceutical lotions; sarsaparilla for medical purposes; sugar for medical purposes; asthmatic tea; fumigating sticks; massage candles for therapeutic purposes; suppositories; linseed for pharmaceutical purposes; tobacco-free cigarettes for medical purposes; siccatives [drying agents] for medical purposes; syrups for pharmaceutical purposes; turpentine for pharmaceutical purposes; milking grease; greases for veterinary purposes; greases for medical purposes; lacteal flour for babies; infant formula; soporifics; bicarbonate of soda

for pharmaceutical purposes; mineral water salts; bath salts for medical purposes; salts for mineral water baths; salts for medical purposes; potassium salts for medical purposes; sodium salts for medical purposes; smelling salts; malt for pharmaceutical purposes; semen for artificial insemination; alcohol for pharmaceutical purposes; medicinal alcohol; alloys of precious metals for dental purposes; ergot for pharmaceutical purposes; cooling sprays for medical purposes; digestives for pharmaceutical purposes; nervines; antibacterial handwashes; adjuvants for medical purposes; astringents for medical purposes; vermifuges; disinfectants for hygiene purposes; disinfectants for chemical toilets; appetite suppressants for medical purposes; medical preparations for slimming purposes; parasiticides; mouthwashes for medical purposes; febrifuges; depuratives; animal washes [insecticides]; detergents for medical purposes; cattle washes [insecticides]; dog washes [insecticides]; insecticidal veterinary washes; vesicants; purgatives; chemical contraceptives; antiparasitic preparations; remedies for perspiration; remedies for foot perspiration; sedatives; laxatives; tonics [medicines]; medicated toiletry preparations; media for bacteriological cultures; steroids; strychnine; serums; antioxidant pills; tanning pills; appetite suppressant pills; slimming pills; jujube, medicated; sanitary tampons; vulnerary sponges; thymol for pharmaceutical purposes; biological tissue cultures for veterinary purposes; biological tissue cultures for medical purposes; smoking herbs for medical purposes; medicinal herbs; transplants [living tissues]; surgical implants comprised of living tissues; disposable training pants for infants; pants, absorbent, for incontinence; sanitary panties; charcoal for pharmaceutical purposes; fennel for medical purposes; porcelain for dental prostheses; phenol for pharmaceutical purposes; enzymes for veterinary purposes; enzymes for medical purposes; ferments for pharmaceutical purposes; formic aldehyde for pharmaceutical purposes; phosphates for pharmaceutical purposes; fungicides; quinine for medical purposes; chinoline for medical purposes; diabetic bread adapted for medical use; chloroform; flowers of sulfur for pharmaceutical purposes; cement for animal hooves; bone cement for surgical and orthopaedic purposes; dental cements; medicinal tea; herbal teas for medicinal purposes; insecticidal animal shampoos; medicated shampoos; medicated shampoos for pets; pediculicidal shampoos; medicated dry shampoos; pre-filled syringes for medical purposes; eucalyptus for pharmaceutical purposes; herbal extracts for medical purposes; plant extracts for pharmaceutical purposes; tobacco extracts [insecticides]; extracts of hops for pharmaceutical purposes; elixirs [pharmaceutical preparations]; ethers for pharmaceutical purposes; cellulose esters for pharmaceutical purposes; cellulose ethers for pharmaceutical purposes; rat poison; poisons; bacterial poisons; jalap.

29 – Ajvar [preserved peppers]; aloe vera prepared for human consumption; alginates for culinary purposes; anchovy, not live; peanuts, prepared; artichokes, preserved; albumen for culinary purposes; white of eggs; beans, preserved; soya beans, preserved, for food; bouillon; ginger jam; ham; fatty substances for the manufacture of edible fats; laver, preserved; edible birds' nests; sea-cucumbers, not live; peas, preserved; mushrooms, preserved; guacamole [mashed avocado]; game, not live; gelatine; meat jellies; jellies for food; fruit jellies; yolk of eggs; coconut fat; bone oil for food; lard; suet for food; edible fats; fruit-based snack food; milk substitutes; soya patties; tofu patties; charcuterie; cottage cheese fritters; raisins; caviar; eggplant paste; vegetable marrow paste; fish roe, processed; yogurt; galbi [grilled meat dish]; sauerkraut; kephir [milk beverage]; kimchi [fermented vegetable dish]; isinglass for food; clams, not live; potato-based dumplings; klipfish [salted and dried cod]; milk shakes; black pudding; onion rings; arrangements of processed fruit; compotes; meat, tinned; vegetables, tinned; fish, tinned; fruits, tinned; bouillon concentrates; corn dogs; gherkins; shrimps, not live; prawns, not live; buttercream; croquettes; silkworm chrysalis for human consumption; sweet corn, processed; kумыs [milk beverage]; spiny lobsters, not live; lecithin for culinary purposes; salmon, not live; onions, preserved; margarine; marmalade; oils for food; peanut butter; cocoa butter for food; coconut oil for food; coconut butter; corn oil for food; sesame oil for food; linseed oil for food; extra virgin olive oil for food; olive oil for food; palm oil for food; palm kernel oil for food; sunflower oil for food; colza oil for food; butter; soya bean oil for food; shellfish, not live; almonds, ground; animal marrow for food; mussels, not live; milk; peanut milk; peanut milk for culinary purposes; coconut milk; coconut milk for culinary purposes; almond milk; almond milk for culinary purposes; oat milk; rice milk; rice milk for culinary purposes; condensed milk; soya milk; albumin milk; powdered milk; fish meal for human consumption; vegetable mousses; fish mousses; fruit pulp; meat; meat, preserved; freeze-dried meat; milk beverages, milk predominating; peanut milk-based beverages; coconut milk-based beverages; almond milk-based beverages; edible insects, not live; sausage casings, natural or artificial; vegetables, cooked; vegetables, preserved; freeze-dried vegetables; vegetables, dried; potato fritters; olives, preserved; lobsters, not live; flavored nuts; candied nuts; coconut, desiccated; nuts, prepared; tomato purée; pressed fruit paste; liver pâté; pectin for culinary purposes; liver; pickles; jams; powdered eggs; milk products; fish-based foodstuffs; prostokvasha [soured milk]; poultry, not live; bulgogi [Korean beef dish]; pollen prepared as foodstuff; cranberry compote; apple purée; crayfish, not live; crustaceans, not live; fish, preserved; fish, not live; salted fish; ryazhenka [fermented baked milk]; vegetable salads; fruit salads; bacon; sardines, not live; pork; herrings, not

live; seeds, prepared; sunflower seeds, prepared; cream [dairy products]; whipped cream; vegetable-based cream; fat-containing mixtures for bread slices; smetana [sour cream]; vegetable juices for cooking; lemon juice for culinary purposes; tomato juice for cooking; salted meats; sausages; sausages in batter; hot dog sausages; preparations for making bouillon; preparations for making soup; nut-based spreads; tripe; soups; vegetable soup preparations; whey; cheese; tajine [prepared meat, fish or vegetable dish]; tahini [sesame seed paste]; tofu; truffles, preserved; tuna, not live; oysters, not live; falafel; milk ferments for culinary purposes; rennet; fish fillets; dates; fruit preserved in alcohol; fruit, stewed; crystallized fruits; frozen fruits; fruit, preserved; hazelnuts, prepared; potato flakes; hummus [chickpea paste]; fruit peel; preserved garlic; lentils, preserved; potato chips; low-fat potato chips; fruit chips; non-alcoholic eggnog; seaweed extracts for food; meat extracts; escamoles [edible ant larvae, prepared]; yuba [tofu skin]; berries, preserved; eggs; snail eggs for consumption; yakitori.

30 – Vanilla flavorings for culinary purposes;_flavorings, other than essential oils, for cakes; flavorings, other than essential oils, for beverages; coffee flavorings; food flavorings, other than essential oils; star aniseed; baozi [stuffed buns]; cereal bars; high-protein cereal bars; pancakes; freeze-dried dishes with the main ingredient being pasta; freeze-dried dishes with the main ingredient being rice; noodle-based prepared meals; buns; bulgur; bread rolls; edible rice paper; edible paper; burritos; vanillin [vanilla substitute]; vareniki [stuffed dumplings]; waffles; vermicelli [noodles]; natural sweeteners; sausage binding materials; binding agents for ice cream; sea water for cooking; malt biscuits; cloves [spice]; mirror icing [mirror glaze]; cake frosting [icing]; glucose for culinary purposes; mustard; croûtons; buckwheat, processed; gluten additives for culinary purposes; yeast; thickening agents for cooking foodstuffs; leaven; rice-based snack food; cereal-based snack food; artificial coffee; vegetal preparations for use as coffee substitutes; dressings for salad; zephyr [confectionery]; fruit jellies [confectionery]; candy decorations for cakes; confectionery for decorating Christmas trees; cakes; pastries; peanut confectionery; almond confectionery; pasta; ginger [spice]; frozen yogurt [confectionery ices]; cocoa; cream of tartar for culinary purposes; capers; caramels [candy]; curry [spice]; ketchup [sauce]; gimbap [Korean rice dish]; kimchijeon [fermented vegetable pancakes]; quinoa, processed; quiches; gluten prepared as foodstuff; flour-based dumplings; sweetmeats [candy]; liquorice [confectionery]; peppermint sweets; mints for breath freshening; dulce de leche; cinnamon [spice]; coffee; unroasted coffee; starch for food; crackers; custard; hominy grits; semolina; oatmeal; crushed barley; groats for human food; ice cubes; corn, milled; corn, roasted; meat pies; turmeric; couscous [semolina]; noodles; soba noodles; udon noodles; ice for refreshment; candy; ice, natural

or artificial; edible ices; rice cakes; lomper [potato-based flatbread]; mayonnaise; macarons [pastry]; macaroni; maltose; hominy; piccalilli; marinades; marzipan; honey; soya bean paste [condiment]; royal jelly; ice cream; bean meal; buckwheat flour; tapioca flour; potato flour; corn flour; nut flours; flour; wheat flour; soya flour; barley meal; dessert mousses [confectionery]; chocolate mousses; muesli; mint for confectionery; cocoa beverages with milk; coffee beverages with milk; coffee-based beverages; cocoa-based beverages; chamomile-based beverages; tea-based beverages; chocolate beverages with milk; chocolate-based beverages; infusions, not medicinal; crushed oats; husked oats; okonomiyaki [Japanese savory pancakes]; onigiri [rice balls]; chocolate-coated nuts; nutmegs; stick liquorice [confectionery]; pastila [confectionery]; pastilles [confectionery]; molasses for food; pâtés en croûte; pelmeni [dumplings stuffed with meat]; pepper; allspice; peppers [seasonings]; pesto [sauce]; cookies; petit-beurre biscuits; bibimbap [rice mixed with vegetables and beef]; pies; pizzas; meat gravies; fondants [confectionery]; popcorn; powders for making ice cream; baking powder; mustard meal; pralines; condiments; meat tenderizers for household purposes; cereal preparations; oat-based food; propolis; gingerbread; spices; petits fours [cakes]; puddings; rice pudding; cake powder; fruit coulis [sauces]; ravioli; ramen [Japanese noodle-based dish]; chewing gum; chewing gum for breath freshening; relish [condiment]; rice; instant rice; wheat germ for human consumption; spring rolls; sago; sugar; palm sugar; sesame seeds [seasonings]; linseed for culinary purposes [seasoning]; processed seeds for use as a seasoning; aniseed; agave syrup [natural sweetener]; golden syrup; confectionery; batter mixes for okonomiyaki [Japanese savory pancakes]; baking soda [bicarbonate of soda for cooking purposes]; malt for human consumption; salt for preserving foodstuffs; cooking salt; celery salt; sherbets [ices]; ham glaze; cranberry sauce [condiment]; soya sauce; tomato sauce; sauces [condiments]; pasta sauce; apple sauce [condiment]; spaghetti; seasonings; chocolate-based spreads; chocolate spreads containing nuts; preparations for stiffening whipped cream; shaved ice with sweetened red beans; rusks; breadcrumbs; sushi; senbei [rice crackers]; sandwiches; tabbouleh; tacos; tapioca; tarts; dough; pastry dough; almond paste; rice pulp for culinary purposes; cake dough; tortillas; garden herbs, preserved [seasonings]; chocolate decorations for cakes; vinegar; beer vinegar; ferments for pastes; halvah; bread; unleavened bread; chips [cereal products]; corn flakes; oat flakes; hot dog sandwiches; flowers or leaves for use as tea substitutes; jiaozi [stuffed dumplings]; chicory [coffee substitute]; tea; iced tea; chutneys [condiments]; minced garlic [condiment]; cheeseburgers [sandwiches]; chow-chow [condiment]; saffron [seasoning]; chocolate; malt extract for food; essences for foodstuffs, except etheric essences and essential oils; husked barley.

32 – Aperitifs, non-alcoholic; barley wine [beer]; aerated water; lithia water; seltzer water; soda water; waters [beverages]; mineral water [beverages]; table waters; kvass [non-alcoholic beverage]; cocktails, non-alcoholic; beer-based cocktails; lemonades; non-alcoholic beverages; isotonic beverages; non-alcoholic honey-based beverages; rice-based beverages, other than milk substitutes; soya-based beverages, other than milk substitutes; aloe vera drinks, non-alcoholic; whey beverages; protein-enriched sports beverages; soft drinks; non-alcoholic beverages flavored with coffee; non-alcoholic beverages flavored with tea; non-alcoholic fruit juice beverages; energy drinks; fruit nectars, non-alcoholic; orgeat; beer; ginger beer; malt beer; powders for effervescing beverages; sarsaparilla [non-alcoholic beverage]; syrups for lemonade; syrups for beverages; smoothies; vegetable juices [beverages]; fruit juices; tomato juice [beverage]; cider, non-alcoholic; non-alcoholic preparations for making beverages; preparations for making aerated water; must; grape must, unfermented; beer wort; malt wort; pastilles for effervescing beverages; sherbets [beverages]; non-alcoholic fruit extracts; extracts of hops for making beer; essences for making beverages.

35 – Arranging subscriptions to telecommunication services for others; import-export agency services; commercial information agency services; advertising agency services; cost price analysis; rental of office equipment in co-working facilities; rental of advertising space; business auditing; financial auditing; business intermediary services relating to the matching of potential private investors with entrepreneurs needing funding; employment agency services; computerized file management; book-keeping; invoicing; demonstration of goods; transcription of communications [office functions]; opinion polling; market studies; business information; commercial information and advice for consumers in the choice of products and services; business investigations; business research; marketing research; personnel recruitment; consultancy regarding advertising communication strategies; consultancy regarding public relations communication strategies; business management and organization consultancy; business organization consultancy; business management consultancy; personnel management consultancy; professional business consultancy; layout services for advertising purposes; marketing; marketing in the framework of software publishing; targeted marketing; business management of performing artists; business management of sports people; writing of résumés for others; scriptwriting for advertising purposes; news clipping services; updating and maintenance of information in registries; updating and maintenance of data in computer databases; updating of advertising material; word processing; online retail services for downloadable and pre-recorded music and movies; online retail services for downloadable ring tones; online retail services for downloadable digital music; organization of exhibitions for commercial or advertising purposes; arranging newspaper subscriptions for others; organization of fashion shows for promotional purposes; organization of trade fairs for commercial or advertising purposes; shop window dressing; design of advertising materials; business appraisals; payroll preparation; data search in computer files for others; sponsorship search; administrative assistance in responding to calls for tenders; business management assistance; commercial or industrial management assistance; commercial intermediation services; providing business information via a web site; provision of commercial and business contact information; provision of an online marketplace for buyers and sellers of goods and services; web indexing for commercial or advertising purposes; presentation of goods on communication media, for retail purposes; media relations services; economic forecasting; auctioneering; wholesale services for pharmaceutical, veterinary and sanitary preparations and medical supplies; retail services for works of art provided by art galleries; retail services for pharmaceutical, veterinary and sanitary preparations and medical supplies; sales promotion for others; promotion of goods and services through sponsorship of sports events; production of teleshopping programmes; production of advertising films; office machines and equipment rental; rental of advertising time on communication media; publicity material rental; rental of billboards [advertising boards]; rental of vending machines; rental of sales stands; rental of photocopying machines; publication of publicity texts; radio advertising; billposting; distribution of samples; dissemination of advertising matter; direct mail advertising; registration of written communications and data; writing of publicity texts; advertising; online advertising on a computer network; advertising by mail order; television advertising; document reproduction; compilation of information into computer databases; compilation of statistics; business inquiries; systemization of information into computer databases; advisory services for business management; corporate communications services; negotiation of business contracts for others; negotiation and conclusion of commercial transactions for third parties; compiling indexes of information for commercial or advertising purposes; tax preparation; drawing up of statements of accounts; telemarketing services; psychological testing for the selection of personnel; interim business management; outsourced administrative management for companies; business management of hotels; business management for freelance service providers; business project management services for construction projects; commercial administration of the licensing of the goods and services of others; business management of reimbursement programs for others; administration of consumer loyalty programs; administration of frequent flyer programs; administrative processing of purchase orders; public relations; commercial lobbying services; competitive intelligence services; modelling for advertising or sa-

cial or advertising purposes; arranging newspaper subscriptions for others; organization of fashion shows for promotional purposes; organization of trade fairs for commercial or advertising purposes; shop window dressing; design of advertising materials; business appraisals; payroll preparation; data search in computer files for others; sponsorship search; administrative assistance in responding to calls for tenders; business management assistance; commercial or industrial management assistance; commercial intermediation services; providing business information via a web site; provision of commercial and business contact information; provision of an online marketplace for buyers and sellers of goods and services; web indexing for commercial or advertising purposes; presentation of goods on communication media, for retail purposes; media relations services; economic forecasting; auctioneering; wholesale services for pharmaceutical, veterinary and sanitary preparations and medical supplies; retail services for works of art provided by art galleries; retail services for pharmaceutical, veterinary and sanitary preparations and medical supplies; sales promotion for others; promotion of goods and services through sponsorship of sports events; production of teleshopping programmes; production of advertising films; office machines and equipment rental; rental of advertising time on communication media; publicity material rental; rental of billboards [advertising boards]; rental of vending machines; rental of sales stands; rental of photocopying machines; publication of publicity texts; radio advertising; billposting; distribution of samples; dissemination of advertising matter; direct mail advertising; registration of written communications and data; writing of publicity texts; advertising; online advertising on a computer network; advertising by mail order; television advertising; document reproduction; compilation of information into computer databases; compilation of statistics; business inquiries; systemization of information into computer databases; advisory services for business management; corporate communications services; negotiation of business contracts for others; negotiation and conclusion of commercial transactions for third parties; compiling indexes of information for commercial or advertising purposes; tax preparation; drawing up of statements of accounts; telemarketing services; psychological testing for the selection of personnel; interim business management; outsourced administrative management for companies; business management of hotels; business management for freelance service providers; business project management services for construction projects; commercial administration of the licensing of the goods and services of others; business management of reimbursement programs for others; administration of consumer loyalty programs; administration of frequent flyer programs; administrative processing of purchase orders; public relations; commercial lobbying services; competitive intelligence services; modelling for advertising or sa-

les promotion; typing; market intelligence services; appointment reminder services [office functions]; web site traffic optimization; relocation services for businesses; tax filing services; search engine optimization for sales promotion; appointment scheduling services [office functions]; gift registry services; price comparison services; pay per click advertising; secretarial services; procurement services for others [purchasing goods and services for other businesses]; shorthand; outsourcing services [business assistance]; telephone answering for unavailable subscribers; photocopying services; business efficiency expert services.

(260) AM 2021 111928 A
(800) 1534095
(151) 2020 03 17
(891) 2021 02 01
(731) COSI Hospitality GmbH
Oranienburgerstraße 45, 10117 Berlin, Germany
(540)

Numa

(591) Black, white
(511)
9 – Computer software; software for smartphones; reservation systems software; electronic access control systems for interlocking doors; padlocks, electronic.

36 – Real estate affairs; real estate management; rental of real estate; rental of apartments; leases (arranging of -) [real estate property only]; real estate lending services; real estate settlement services [financial services]; real estate consultancy.

43 – Tourist home services; hotel reservations; hotel services; motel services; accommodation bureau services [hotels, boarding houses]; temporary accommodation reservations; resort hotel services; provision of hotel accommodation; services for providing food and drink; travel agency services for booking accommodation; rental of meeting rooms; rental of temporary accommodation; holiday camp services [lodging]; providing temporary accommodation in holiday flats; temporary accommodation.

(260) AM 2021 111929 A
(800) 1559954
(151) 2020 09 15
(891) 2021 02 04
(731) MAN Truck & Bus SE
Dachauer Str. 667, 80995 München, Germany
(540)

PowerMatic

(591) Black, white
(511)
12 – Fully automatic torque converter transmission for use in commercial vehicles only.

(260) AM 2021 112023 A
(800) 1579063
(151) 2021 01 19
(891) 2021 01 19
(731) Krzysztof Lipiński
Willowa 77, PL-32-085 Modlniczka, Poland
(540)



(591) Red, white
(531) 26.01.03; 26.01.18; 26.11.02; 27.05.24;
29.01.12

(511)
28 – Puzzles; puzzles [toys]; jigsaw puzzles.

35 – Online advertising; advertising via electronic media and specifically the internet; sales promotion; online retail services relating to toys; internet marketing.

(260) AM 2021 112025 A
(800) 1579102
(151) 2020 08 27
(891) 2020 08 27
(731) Bayerische Motoren Werke Aktiengesellschaft
Petuelring 130, 80809 München, Germany
(540)



(591) Light blue, dark blue, red and grey
(531) 26.11.03; 26.11.09; 27.05.04; 27.05.21;
29.01.13

(511)
4 – Fuels and illuminants; electrical energy; dust binding compositions; lubricants and industrial greases, waxes and lubricating fluids; additives relating to the aforementioned goods, included in this class.

9 – Recorded content; media content; data storage devices; USB sticks; USB cables; USB charging ports; power banks; databases (electronic); data processing apparatus; software; software applications [apps]; information technology and audio-visual, multimedia and photographic devices; communications apparatus; magnets, magnetizers and demagnetizers; scientific and laboratory devices for treatment using electricity; apparatus, instruments and cables for electricity; electrical and electronic components; optical devices, en-

hancers and correctors; optical apparatus and instruments; spectacles; sunglasses; protective eyeglasses; spectacle cases; carrying cases for cell phones; protective covers for cell phones; protective covers for tablet computers; bags for laptop computers; computer peripherals; computer mice; mouse pads; safety, security, protection and signalling devices; reflective safety vest; diving equipment; navigation, guidance, tracking, targeting and map making devices; measuring, detecting and monitoring instruments, indicators and controllers; scientific research and laboratory apparatus, educational apparatus and simulators; articles of protective clothing for wear by motorcyclists for protection against accident or injury; motorcycle helmets; protective helmets for cyclists; protective helmets for children; parts and fittings for all the aforesaid goods, included in this class.

12 – Vehicles; motorcycles; bicycles; apparatus for locomotion by land; engines for land vehicles; motors for land vehicles; parts and fittings for vehicles.

37 – Installation, cleaning, repair and maintenance services in relation to vehicles and parts and accessories for vehicles; vehicle restoration; rental and leasing of objects in relation to the provision of the aforesaid services, included in this class; consultancy and information in relation to the aforesaid services, included in this class.

(260) AM 2021 112026 A
(800) 1579103
(151) 2020 09 08
(891) 2020 09 08
(731) Bayerische Motoren Werke Aktiengesellschaft
Petuelring 130, 80809 München, Germany
(540)



(591) Blue, grey and white
(531) 15.01.13; 24.11.25; 26.01.04; 26.01.10;
26.01.16; 26.01.21; 27.01.12; 29.01.13
(511)

9 – Recorded content; media content; data storage devices; USB sticks; USB cables; USB charging ports; power banks; databases (electronic); data processing apparatus; software; software applications [apps]; information technology and audio-visual, multimedia and photographic devices; communications apparatus; magnets, magnetizers and demagnetizers; scientific and laboratory devices for treatment using electricity; apparatus, instruments and cables for electricity; electrical and electronic components; optical devices, en-

hancers and correctors; optical apparatus and instruments; spectacles; sunglasses; protective eyeglasses; spectacle cases; carrying cases for cell phones; protective covers for cell phones; protective covers for tablet computers; bags for laptop computers; computer peripherals; computer mice; mouse pads; safety, security, protection and signalling devices; reflective safety vest; diving equipment; navigation, guidance, tracking, targeting and map making devices; measuring, detecting and monitoring instruments, indicators and controllers; scientific research and laboratory apparatus, educational apparatus and simulators; articles of protective clothing for wear by motorcyclists for protection against accident or injury; motorcycle helmets; protective helmets for cyclists; protective helmets for children; parts and fittings for all the aforesaid goods, included in this class.

12 – Vehicles; motorcycles; bicycles; apparatus for locomotion by land; engines for land vehicles; motors for land vehicles; parts and fittings for vehicles.

37 – Installation, cleaning, repair and maintenance services in relation to vehicles and parts and accessories for vehicles; vehicle restoration; rental and leasing of objects in relation to the provision of the aforesaid services, included in this class; consultancy and information in relation to the aforesaid services, included in this class.

(260) AM 2021 112027 A
(800) 1579105
(151) 2020 09 09
(891) 2020 09 09
(731) Bayerische Motoren Werke Aktiengesellschaft
Petuelring 130, 80809 München, Germany
(540)



(591) Blue, grey and white
(531) 26.04.04; 26.04.07; 26.04.18; 26.04.24;
27.05.21; 27.05.24; 29.01.13

(511)
12 – Vehicles; motorcycles; bicycles; apparatus for locomotion by land; engines for land vehicles; motors for land vehicles; parts and fittings for vehicles.

37 – Installation, cleaning, repair and maintenance services in relation to vehicles and parts and accessories for vehicles; vehicle restoration; rental and leasing of objects in relation to the provision of the aforesaid services, included in this class; consultancy and information in relation to the aforesaid services, included in this class.

(260) AM 2021 112028 A
 (800) 1579120
 (151) 2020 10 09
 (891) 2020 10 09
 (731) Konstantinos Mamis
 128 Maikina Str., GR-157 71 Athens, Greece
 (540)



(591) Green, black, white, purple, orange and yellow
 (531) 03.11.09; 03.11.24; 03.11.25; 09.07.17;
 16.03.13; 27.01.12; 27.05.03; 27.05.17;
 29.01.15

(511)
 29 – Dairy products and dairy substitutes; edible oils and fats.

30 – Baking spices; preparations for making bakery products; burritos; brioches; calzones; cheese curls [snacks]; cheese flavored puffed corn snacks; corn-based savoury snacks; fried corn; pies; pita chips; processed unpopped popcorn; puffed corn snacks; quesadillas; samosas; snack foods made from corn; snack foods made from wheat; snack foods made of whole wheat; snack foods prepared from maize; snacks manufactured from muesli; tortilla chips; tortilla snacks; tortillas; vegetable flavoured corn chips; vegetable pies; wholewheat crisps.

(260) AM 2021 112029 A
 (800) 1579229
 (151) 2021 01 15
 (891) 2021 01 15
 (731) Apple Inc.
 One Apple Park Way, Cupertino CA 95014,
 USA
 (540)



(591) Black, white
 (531) 05.07.13; 16.03.01; 26.01.05; 26.04.04;
 26.04.24
 (511)
 42 – Providing online non-downloadable application development software; providing online non-downloadable computer software development tools; pro-

viding online non-downloadable computer software used in developing other software applications; user authentication services using a software application; user authentication services using technology for e-commerce transactions; providing online information relating to computer technology, computer programming and computer software.

(260) AM 2021 112099 A
 (800) 1579486
 (151) 2020 10 06
 (891) 2020 10 06
 (731) RÁDIO E TELEVISÃO RECORD S/A
 Rua da Várzea, 240 – Barra Funda,
 01140-080 São Paulo, Brazil
 (540)



(591) Dark grey, light grey, purple and white
 (531) 26.03.04; 27.05.01; 29.01.13
 (511)

35 – Dissemination of advertising for others via the Internet; providing consumer product information via the Internet; promoting the goods and services of others through advertisements on Internet websites; promoting the goods and services of others through advertisements on Internet web sites; radio advertising; television advertising; database management; dissemination of advertising for others via the Internet; providing consumer product information via the Internet; promoting the goods and services of others through advertisements on Internet websites; promoting the goods and services of others through advertisements on Internet web sites.

38 – Communications by fiber optic networks; communications by computer terminals; providing access to databases; information about telecommunication; radio broadcasting; radio communication; radio transmission; broadcasting of radio programmes; broadcasting of radio programs; news agency services; audio streaming; data streaming; video streaming; television streaming services; streaming audio material on the Internet; streaming video material on the Internet; video streaming of independent films; video streaming of independent movies; transmitting streamed sound and audio-visual recordings via the Internet; video streaming of independent films and movies via the Internet; electronic transmission and streaming of digital media content for others via global and local computer networks; streaming of audio, visual and audiovisual material via a global computer network; transmission of data, audio, video and multimedia

files, including downloadable files and files streamed over a global computer network; cable television broadcasting; cable television broadcast services; cable television transmission; cable television transmission services; transmission of digital files; digital transmission of images; electronic transmission of images; transmission of images by computer; transmission of messages and images; video-on-demand transmission; satellite transmission; providing information in the field of telecommunications; providing user access to search engines; providing access to a computer database; providing access to online databases; providing access to on-line computer databases; providing access to on-line computer databases; providing access to on-line computer databases; providing access to on-line computer databases; providing access to on-line computer databases; providing on-line access to computer databases; transmission of videos, movies, pictures, images, text, photos, games, user-generated content, audio content, and information via the Internet; television broadcasting; television transmission; broadcasting of television programmes; broadcasting of television programs; cable television broadcasting information; cable television broadcasting services; satellite television broadcasting services; satellite television broadcasting; television program broadcasting; television programme broadcasting.

41 – News reporters services; news reporting services; live entertainment production services; live entertainment services; live musical entertainment services; live music performances; organisation of live shows; organization of live shows; presentation of live performances; production of live entertainment; providing live musical entertainment; presentation of variety shows; entertainment information; information relating to education and entertainment; electronic publishing; editing of electronic publications; organisation of sports competitions; organization of competitions [education or entertainment]; arranging of beauty contests; organization of entertainment shows; organization of cultural shows; organization of educational shows; arranging, conducting and organization of conferences; music production; theatre production; production of audio programmes; production of television programs; production of radio programs; production of shows; production of music concerts; radio entertainment; television and radio entertainment; radio entertainment production; television entertainment; television entertainment services; providing on-line computer games; game services provided via communication networks; game services provided online from a computer network; electronic games services provided by means of the Internet; online game services provided via a computer network; online digital publishing services; on-line electronic publishing of books and periodicals; entertainment services; distribution of movie films; movie studio services; recording studio services; providing online music, not downloadable; providing online videos, not downloadable; entertainment services in the nature of live vi-

sual and audio performances by musical bands; presentation of live performances by a musical group; music recording studio services; online publication of electronic journals; providing non-downloadable videos via a website.

42 – Conversion of data or documents from physical to electronic media; providing Internet search engines; providing Internet search engines with specific search options; database development services; homepage design; design and creation of homepages and websites; providing search engines for obtaining data on a global computer network; providing search engines for obtaining data via communications networks.

(260) AM 2021 112100 A

(800) 1579547

(151) 2020 11 16

(891) 2020 11 16

(731) "Obshchestvo s ogranichennoy otvetstvennostyu "VoBaza"
ul. 50-letiya Oktyabrya, 33/1, office 1,
Rostov-na-donu, RU-344111 Rostovskaya
oblast, Russian Federation

(540)

VoBaza

(591) Black, white

(531) 27.05.01

(511)

9 – Monitors [computer programs]; computer software, recorded; computer software platforms, recorded or downloadable; computer software applications, downloadable; computer programs, recorded; computer game software, downloadable; computer game software, recorded; computer programs, downloadable; computer operating programs, recorded; computer screen saver software, recorded or downloadable.

35 – Arranging subscriptions to telecommunication services for others; import-export agency services; commercial information agency services; advertising agency services; cost price analysis; rental of office equipment in co-working facilities; rental of advertising space; business auditing; financial auditing; business intermediary services relating to the matching of potential private investors with entrepreneurs needing funding; employment agency services; computerized file management; book-keeping; invoicing; demonstration of goods; transcription of communications [office functions]; opinion polling; market studies; business investigations; business research; marketing research; personnel recruitment; business management and organization consultancy; business organization consultancy; business management consultancy; personnel management consultancy; professional business consultancy; consultancy regarding advertising communication strategies; consultancy re-

garding public relations communication strategies; layout services for advertising purposes; marketing services; marketing in the framework of software publishing; targeted marketing; business management of performing artists; business management of sports people; writing of resumes for others; scriptwriting for advertising purposes; news clipping services; updating and maintenance of information in registries; updating and maintenance of data in computer databases; updating of advertising material; word processing; online retail services for downloadable and pre-recorded music and movies; online retail services for downloadable ring tones; online retail services for downloadable digital music; organization of exhibitions for commercial or advertising purposes; arranging newspaper subscriptions for others; organization of fashion shows for promotional purposes; organization of trade fairs; shop window dressing; business appraisals; payroll preparation; data search in computer files for others; sponsorship search; administrative assistance in responding to calls for tenders; business management assistance; commercial or industrial management assistance; commercial intermediation services; providing business information; providing business information via a web site; providing commercial and business contact information; providing commercial information and advice for consumers in the choice of products and services; providing user reviews for commercial or advertising purposes; web indexing for commercial or advertising purposes; providing user rankings for commercial or advertising purposes; economic forecasting; auctioneering; retail services for works of art provided by art galleries; sales promotion for others; promotion of goods and services through sponsorship of sports events; production of teleshopping programmes; production of advertising films; office machines and equipment rental; rental of advertising time on communication media; publicity material rental; rental of billboards [advertising boards]; rental of vending machines; rental of sales stands; rental of photocopying machine; consumer profiling for commercial or marketing purposes; publication of publicity texts; radio advertising; development of advertising concepts; bill-posting; distribution of samples; dissemination of advertising matter; direct mail advertising; registration of written communications and data; writing of publicity texts; advertising; online advertising on a computer network; advertising by mail order; television advertising; compilation of statistics; compilation of information into computer databases; business inquiries; systemization of information into computer databases; administrative services for medical referrals; advisory services for business management; corporate communications services; negotiation of business contracts for others; negotiation and conclusion of commercial transactions for third parties; compiling indexes of information for commercial or advertising purposes; tax preparation; drawing up of statements of account; telemarketing

services; psychological testing for the selection of personnel; interim business management; business management of hotels; business management for freelance service providers; business project management services for construction projects; commercial administration of the licensing of the goods and services of others; business management of reimbursement programs for others; administration of consumer loyalty programs; administration of frequent flyer programs; administrative processing of purchase orders; administrative services for the relocation of businesses; public relations; commercial lobbying services; competitive intelligence services; modelling for advertising or sales promotion; typing; market intelligence services; appointment reminder services [office functions]; web site traffic optimization; tax filing services; search engine optimization for sales promotion; retail services relating to bakery products; gift registry services; price comparison services; pay per click advertising; secretarial services; procurement services for others [purchasing goods and services for other businesses]; shorthand; outsourcing services [business assistance]; telephone answering for unavailable subscribers; telephone switchboard services; photocopying services; business efficiency expert services; provision of an online marketplace for buyers and sellers of goods and services; presentation of goods on communication media, for retail purposes; media relations services; wholesale services for pharmaceutical, veterinary and sanitary preparations and medical supplies; retail services for pharmaceutical, veterinary and sanitary preparations and medical supplies; outsourced administrative management for companies; appointment scheduling services [office functions].

39 – Air transport; motor coach rental; boat rental; garage rental; rental of vehicle roof racks; aircraft rental; parking place rental; rental of warehouses; rental of tractors; booking of seats for travel; travel reservation; transport reservation; towing; vehicle breakdown towing services; bottling services; water distribution; delivery of newspapers; message delivery; parcel delivery; delivery of goods; delivery of goods by mail order; flower delivery; replenishment of vending machines; launching of satellites for others; transportation logistics; rescue operations [transport]; arranging of cruises; arranging of passenger transportation services for others via an online application; arranging for travel visas and travel documents for persons travelling abroad; armored-car transport; hauling; carting; transport and storage of trash; transporting furniture; lighterage services; ferry-boat transport; removal services; transport of travellers; guarded transport of valuables; bus transport; car transport; barge transport; boat transport; railway transport; marine transport; passenger transport; river transport; ambulance transport; streetcar transport; portering; piloting of civilian drones; refloating of ships; cash replenishment of automated teller machines; shipbrokerage; transport brokerage; freight brokerage [forwarding

(Am.); providing driving directions for travel purposes; providing traffic information; providing information relating to storage services; providing transportation information; car rental; railway truck rental; rental of diving bells; rental of diving suits; rental of motor racing cars; rental of aircraft engines; railway coach rental; rental of wheelchairs; rental of storage containers; horse rental; rental of freezers; rental of navigational systems; refrigerator rental; vehicle rental; stevedoring; unloading cargo; electricity distribution; distribution of energy; packaging of goods; collection of recyclable goods [transport]; carpooling services; ice-breaking; piloting; water supplying; escorting of travellers; transport by pipeline; wrapping of goods; operating canal locks; car parking; chauffeur services; pleasure boat transport; car sharing services; courier services [messages or merchandise]; salvaging; salvage of ships; gift wrapping; underwater salvage; taxi transport; transport; luggage storage; franking of mail; freight [shipping of goods]; freighting; physical storage of electronically stored data or documents; boat storage; storage of goods; storage; freight forwarding; rental of electric wine cellars; arranging of transportation for travel tours; transport services for sightseeing tours.

42 – Computer system analysis; recovery of computer data; business card design; graphic design of promotional materials; industrial design; graphic arts design; installation of computer software; scientific research; web site design consultancy; consultancy in the design and development of computer hardware; computer software consultancy; updating of computer software; monitoring of computer systems to detect breakdowns; monitoring of computer systems for detecting unauthorized access or data breach; monitoring of computer systems by remote access; software as a service [SaaS]; maintenance of computer software; providing information relating to computer technology and programming via a web site; providing search engines for the internet; conversion of computer programs and data, other than physical conversion; computer system design; computer rental; rental of computer software; hosting computer sites [web sites]; development of computer platforms; computer software design; software development in the framework of software publishing; computer programming; copying of computer programs; cloud computing; packaging design; user authentication services using single sign-on technology for online software applications; data encryption services; electronic data storage; electronic monitoring of credit card activity to detect fraud via the internet; electronic monitoring of personally identifying information to detect identity theft via the internet; interior design; information technology [IT] consultancy; platform as a service [PaaS].

(260) AM 2021 112101 A
(800) 1579553
(151) 2021 01 18
(891) 2021 01 18
(731) JACOBS DOUWE EGBERTS DE GmbH
Langemarckstrasse 4-20, 28199 Bremen,
Germany

(540)



(591) Green, dark green, light green, gray, white,
black and brown

(531) 05.07.27; 11.03.04; 11.03.20; 24.09.05;
24.09.09; 29.01.14

(511)

30 – Coffee; coffee extracts; coffee substitute; decaffeinated coffee; tea; tea and coffee based beverages and preparations for these beverages; iced coffee; iced tea; cocoa; cocoa and chocolate based beverages and preparations for making these beverages; sugar; natural sweeteners.

(260) AM 2021 112102 A
(800) 1579561
(151) 2020 10 20
(891) 2020 10 20
(731) Closed Joint Stock Company "Starodvorskie
kolbasy"
ul. Poliny Osipenko, d. 41, of. 210, RU-600009
g. Vladimir, Russian Federation

(540)

Дугушка

(591) Black, white

(531) 28.05

(511)

29 – Ajvar [preserved peppers]; aloe vera prepared for human consumption; alginates for culinary purposes; anchovy, not live; peanuts, prepared; artichokes, preserved; albumen for culinary purposes; white of eggs; beans, preserved; soya beans, preserved, for food; broth; ginger jam; ham; fatty substances for the manufacture of edible fats; laver, preserved; edible birds' nests; sea-cucumbers, not live; peas, preserved; mushrooms, preserved; guacamole [mashed avocado]; game, not live; gelatine; meat jellies; jellies for food; fruit jellies; yolk of eggs; coconut fat; bone oil for food; lard; suet for food; edible fats; curd; fruit-based snack food; milk substitutes; soya patties; tofu patties; charcuterie; raisins; caviar; eggplant paste; vegetable

marrow paste; fish roe, prepared; yogurt; galbi [grilled meat dish]; sauerkraut; kefir [milk beverage]; kimchi [fermented vegetable dish]; isinglass for food; clams, not live; potato-based dumplings; klipfish [salted and dried cod]; milk shakes; black pudding; onion rings; arrangements of processed fruit; compotes; meat, canned; vegetables, canned; fish, canned; fruits, canned; broth concentrates; corn dogs; gherkins; shrimps, not live; prawns, not live; buttercream; croquettes; silk-worm chrysalis for human consumption; sweet corn, processed; kumys [milk beverage]; spiny lobsters, not live; lecithin for culinary purposes; salmon, not live; onions, preserved; margarine; marmalade; oils for food; peanut butter; cocoa butter for food; coconut oil for food; coconut butter; corn oil for food; sesame oil for food; linseed oil for food; extra virgin olive oil for food; olive oil for food; palm oil for food; palm kernel oil for food; sunflower oil for food; rape oil for food; butter; soya bean oil for food; mussels, not live; almonds, ground; animal marrow for food; mollusks, not live; milk; peanut milk; peanut milk for culinary purposes; coconut milk; coconut milk for culinary purposes; almond milk; almond milk for culinary purposes; oat milk; rice milk; rice milk for culinary purposes; protein milk; condensed milk; soya milk; powdered milk; fish meal for human consumption; vegetable mousses; fish mousses; fruit pulp; meat; meat, preserved; freeze-dried meat; milk beverages, milk predominating; peanut milk-based beverages; coconut milk-based beverages; almond milk-based beverages; edible insects, not live; pieces of chicken fried in batter; chicken wings fried in batter; sausage casings, natural or artificial; vegetables, preserved; freeze-dried vegetables; vegetables, dried; vegetables, cooked; potato fritters; olives, preserved; lobsters, not live; flavored nuts; candied nuts; coconut, desiccated; nuts, prepared; tomato paste; pressed fruit paste; liver pâté; pectin for culinary purposes; liver; pickles; jams; powdered eggs; milk products; fish-based foodstuffs; prostokvasha [soured milk]; poultry, not live; bulgogi; pollen prepared as foodstuff; cranberry compote; tomato purée; apple purée; crayfish, not live; crustaceans, not live; fish, preserved; fish, not live; salted fish; ryazhenka [fermented baked milk]; vegetable salads; fruit salads; bacon; sardelki [sausages]; sardines, not live; pork; herrings, not live; seeds, prepared; sunflower seeds, prepared; cream [dairy products]; whipped cream; vegetable-based cream; fat-containing mixtures for bread slices; smetana [sour cream]; lemon juice for culinary purposes; tomato juice for cooking; vegetable juices for cooking; salted meats; sausages; sausages in batter; hot dog sausages; preparations for making bouillon; preparations for making soup; nut-based spreads; tripe; soups; vegetable soup preparations; whey; cottage cheese fritters; cheese; tajine [prepared meat, fish or vegetable dish]; tahini [sesame seed paste]; tofu; truffles, preserved; tuna, not live; oysters, not live; falafel; milk ferments for culinary purposes; rennet; fish fillets; dates; frosted fruits;

frozen fruits; fruit, preserved; fruit preserved in alcohol; fruit, stewed; hazelnuts, prepared; potato flakes; hummus [chickpea paste]; fruit peel; preserved garlic; lentils, preserved; potato chips; low-fat potato chips; fruit chips; non-alcoholic eggnog; seaweed extracts for food; meat extracts; escamoles [edible ant larvae, prepared]; yuba [tofu skin]; berries, preserved; eggs; snail eggs for consumption; yakitori.

30 – Seaweed [condiment]; vanilla flavorings for culinary purposes; flavorings, other than essential oils, for cakes; flavorings, other than essential oils, for beverages; coffee flavorings; food flavorings, other than essential oils; star aniseed; baozi; cereal bars; high-protein cereal bars; pancakes; noodle-based prepared meals; freeze-dried dishes with the main ingredient being pasta; freeze-dried dishes with the main ingredient being rice; buns; bulgur; bread rolls; edible rice paper; edible paper; burritos; vanillin [vanilla substitute]; vareniki [stuffed dumplings]; waffles; vermicelli; natural sweeteners; sausage binding materials; binding agents for ice cream; sea water for cooking; malt biscuits; cloves [spice]; mirror icing [mirror glaze]; cake frosting [icing]; glucose for culinary purposes; mustard; croutons; buckwheat, processed; gluten additives for culinary purposes; yeast; pelmeni [dumplings stuffed with meat], fried; thickening agents for cooking foodstuffs; leaven; rice-based snack food; cereal-based snack food; artificial coffee; vegetal preparations for use as coffee substitutes; dressings for salad; zefir [confectionery]; fruit jellies [confectionery]; candy decorations for cakes; confectionery for decorating Christmas trees; cakes; pastries; peanut confectionery; almond confectionery; pasta; ginger [spice]; frozen yogurt [confectionery ices]; cocoa; cream of tartar for culinary purposes; capers; caramels [sweets]; curry [spice]; ketchup [sauce]; prepared rice rolled in seaweed; kimchiyeon [fermented vegetable pancakes]; quinoa, processed; quiches; gluten prepared as foodstuff; flour-based dumplings; sweets; liquorice [confectionery]; peppermint sweets; mints for breath freshening; dulce de leche; cinnamon [spice]; coffee; unroasted coffee; starch for food; crackers; custard; hominy grits; semolina; oatmeal; crushed barley; groats for human food; ice cubes; corn, milled; corn, roasted; meat pies; turmeric; couscous; noodles; soba noodles; udon noodles; ice for refreshment; ice, natural or artificial; edible ices; lollipops [confectionery]; rice cakes; potato-based flatbreads; mayonnaise; macarons; macaroni; maltose; hominy; manti [stuffed dumplings]; piccalilli; marinades; marzipan; honey; miso [seasoning]; royal jelly; ice cream; bean meal; buckwheat flour; tapioca flour; potato flour; corn flour; nut flours; flour; wheat flour; soya flour; barley meal; dessert mousses [confectionery]; chocolate mousses; muesli; mint for confectionery; cocoa beverages with milk; coffee beverages with milk; coffee-based beverages; cocoa-based beverages; chamomile-based beverages; tea-based beverages; chocolate beverages with milk; chocolate-based beverages;

infusions, not medicinal; crushed oats; husked oats; okonomiyaki [Japanese savory pancakes]; onigiri [rice balls]; nutmegs; chocolate-coated nuts; stick liquorice [confectionery]; soya bean paste [seasoning]; pasta [confectionery]; pastilles [confectionery]; molasses for food; pâtés en croûte; pelmeni [dumplings stuffed with meat]; pepper; allspice; peppers [seasonings]; pesto [sauce]; cookies; petit-beurre biscuits; bibimbap [rice mixed with vegetables and beef]; pies; pizzas; meat gravies; fondants [confectionery]; popcorn; powders for making ice cream; baking powder; mustard meal; pralines; aromatic preparations for food; condiments; meat tenderizers for household purposes; cereal preparations; oat-based food; bee glue; gingerbread; spices; petits fours [cakes]; rice pudding; puddings; cake powder; fruit coulis [sauces]; ravioli; ramen [Japanese noodle-based dish]; chewing gum; chewing gum for breath freshening; relish [condiment]; rice; instant rice; wheat germ for human consumption; spring rolls; sago; sugar; palm sugar; sesame seeds [seasonings]; linseed for culinary purposes [seasoning]; processed seeds for use as a seasoning; aniseed; agave syrup [natural sweetener]; golden syrup; confectionery; batter mixes for okonomiyaki [Japanese savory pancakes]; baking soda [bicarbonate of soda for cooking purposes]; malt for human consumption; salt for preserving foodstuffs; cooking salt; celery salt; sherbets [ices]; ham glaze; cranberry sauce [condiment]; soya sauce; tomato sauce; apple sauce [condiment]; sauces [condiments]; pasta sauce; spaghetti; chocolate-based spreads; chocolate spreads containing nuts; preparations for stiffening whipped cream; shaved ice with sweetened red beans; rusks; breadcrumbs; sushi; senbei [rice crackers]; sandwiches; tabbouleh; tacos; tapioca; tarts; dough; pastry dough; almond paste; rice pulp for culinary purposes; cake dough; tortillas; garden herbs, preserved [seasonings]; chocolate decorations for cakes; vinegar; beer vinegar; ferments for pastes; halvah; khinkali [stuffed dumplings]; bread; unleavened bread; chips [cereal products]; corn flakes; oat flakes; hot dog sandwiches; flowers or leaves for use as tea substitutes; jiaozi; chicory [coffee substitute]; tea; iced tea; chutneys [condiments]; chebureki [deep-fried pies]; minced garlic [condiment]; cheeseburgers [sandwiches]; chow-chow [condiment]; saffron [seasoning]; chocolate; malt extract for food; essences for foodstuffs, except etheric essences and essential oils; husked barley.

35 – Arranging subscriptions to telecommunication services for others; import-export agency services; commercial information agency services; publicity agency services; cost price analysis; rental of office equipment in co-working facilities; rental of advertising space; business auditing; financial auditing; business intermediary services relating to the matching of potential private investors with entrepreneurs needing funding; employment agency services; computerized file management; accounting; invoicing; demonstration of goods; transcription of communications [office

functions]; opinion polling; market studies; business information; commercial information and advice for consumers in the choice of products and services; business investigations; business research; marketing research; personnel recruitment; business management and organization consultancy; business organization consultancy; business management consultancy; personnel management consultancy; professional business consultancy; consultancy regarding advertising communication strategies; consultancy regarding public relations communication strategies; layout services for advertising purposes; marketing; marketing in the framework of software publishing; targeted marketing; business management of performing artists; business management of sports people; writing of résumés for others; scriptwriting for advertising purposes; news clipping services; updating and maintenance of information in registries; updating and maintenance of data in computer databases; updating of advertising material; word processing; online retail services for downloadable and pre-recorded music and movies; online retail services for downloadable ring tones; online retail services for downloadable digital music; organization of exhibitions for commercial or advertising purposes; arranging newspaper subscriptions for others; organization of fashion shows for promotional purposes; organization of trade fairs for commercial or advertising purposes; shop window dressing; preparation of advertising materials; business appraisals; payroll preparation; data search in computer files for others; sponsorship search; administrative assistance in responding to calls for tenders; business management assistance; commercial or industrial management assistance; commercial intermediation services; providing business information via a web site; providing commercial and business contact information; provision of an online marketplace for buyers and sellers of goods and services; web indexing for commercial or advertising purposes; presentation of goods on communication media, for retail purposes; media relations services; economic forecasting; auctioneering; wholesale services for pharmaceutical, veterinary and sanitary preparations and medical supplies; retail services for works of art provided by art galleries; retail services for pharmaceutical, veterinary and sanitary preparations and medical supplies; sales promotion for others; promotion of goods and services through sponsorship of sports events; production of teleshopping programs; production of advertising films; office machines and equipment rental; rental of advertising time on communication media; publicity material rental; rental of billboards [advertising boards]; rental of vending machines; rental of sales stands; rental of photocopying machines; publication of publicity texts; radio advertising; bill-posting; distribution of samples; dissemination of advertising matter; direct mail advertising; registration of written communications and data; writing of publicity texts; advertising; online advertising on a computer network;

outdoor advertising; advertising by mail order; television advertising; document reproduction; compilation of statistics; compilation of information into computer databases; business inquiries; systemization of information into computer databases; advisory services for business management; corporate communications services; negotiation of business contracts for others; negotiation and conclusion of commercial transactions for third parties; compiling indexes of information for commercial or advertising purposes; tax preparation; drawing up of statements of accounts; telemarketing services; psychological testing for the selection of personnel; interim business management; outsourced administrative management for companies; business management of hotels; business management for freelance service providers; business project management services for construction projects; commercial administration of the licensing of the goods and services of others; business management of reimbursement programs for others; administration of consumer loyalty programs; administration of frequent flyer programs; administrative processing of purchase orders; public relations; commercial lobbying services; competitive intelligence services; modelling for advertising or sales promotion; typing; market intelligence services; appointment reminder services [office functions]; web site traffic optimization; administrative services for the relocation of businesses; tax filing services; search engine optimization for sales promotion; appointment scheduling services [office functions]; gift registry services; price comparison services; pay per click advertising; secretarial services; procurement services for others [purchasing goods and services for other businesses]; shorthand; outsourcing services [business assistance]; telephone answering for unavailable subscribers; photocopying services; business efficiency expert services.

43 – Accommodation bureau services [hotels, boarding houses]; rental of temporary accommodation; rental of meeting rooms; tourist home services; hotel reservations; boarding house bookings; temporary accommodation reservations; hotel services; retirement home services; snack-bar services; information and advice in relation to the preparation of meals; café services; cafeteria services; motel services; boarding house services; boarding for animals; rental of cooking apparatus; rental of chairs, tables, table linen, glassware; rental of lighting apparatus; rental of tents; rental of transportable buildings; rental of drinking water dispensers; restaurant services; self-service restaurant services; reception services for temporary accommodation [management of arrivals and departures]; food sculpting; canteen services; decorating of food; cake decorating; holiday camp services [lodging]; bar services; providing campground facilities; personal chef services; food and drink catering; was-hoku restaurant services; udon and soba restaurant services; day-nursery [crèche] services.

(260) AM 2021 112103 A
(800) 1579601
(151) 2021 01 29
(891) 2021 01 29
(731) BHARAT BIOTECH INTERNATIONAL LIMITED
Genome Valley, Turkapally, Shameerpet,
Hyderabad, Telangana 500078, India
(540)

Covaxin

(591) Black, white
(511)
5 – Vaccines and pharmaceutical preparations.

(260) AM 2021 112104 A
(800) 1579613
(151) 2020 11 16
(891) 2020 11 16
(731) Obshchestvo s ogranichennoy otvetstvennostyu "VoBaza"
ul. 50-letiya Oktyabrya, 33/1, office 1,
Rostov-na-donu, RU-344111 Rostovskaya
oblast, Russian Federation
(540)



(591) Black, white
(531) 02.09.14; 02.09.20
(511)
9 – Monitors [computer programs]; computer software, recorded; computer software platforms, recorded or downloadable; computer software applications, downloadable; computer programs, recorded; computer game software, downloadable; computer game software, recorded; computer programs, downloadable; computer operating programs, recorded; computer screen saver software, recorded or downloadable.

35 – Arranging subscriptions to telecommunication services for others; import-export agency services; commercial information agency services; advertising agency services; cost price analysis; rental of office equipment in co-working facilities; rental of advertising space; business auditing; financial auditing; business intermediary services relating to the matching of potential private investors with entrepreneurs needing funding; employment agency services; computerized file management; book-keeping; invoicing; demonstration of goods; transcription of communications [office functions]; opinion polling; market studies; business investigations; business research; marketing

research; personnel recruitment; business management and organization consultancy; business organization consultancy; business management consultancy; personnel management consultancy; professional business consultancy; consultancy regarding advertising communication strategies; consultancy regarding public relations communication strategies; layout services for advertising purposes; marketing services; marketing in the framework of software publishing; targeted marketing; business management of performing artists; business management of sports people; writing of resumes for others; scriptwriting for advertising purposes; news clipping services; updating and maintenance of information in registries; updating and maintenance of data in computer databases; updating of advertising material; word processing; online retail services for downloadable and pre-recorded music and movies; online retail services for downloadable ring tones; online retail services for downloadable digital music; organization of exhibitions for commercial or advertising purposes; arranging newspaper subscriptions for others; organization of fashion shows for promotional purposes; organization of trade fairs; shop window dressing; business appraisals; payroll preparation; data search in computer files for others; sponsorship search; administrative assistance in responding to calls for tenders; business management assistance; commercial or industrial management assistance; commercial intermediation services; providing business information; providing business information via a web site; providing commercial and business contact information; providing commercial information and advice for consumers in the choice of products and services; providing user reviews for commercial or advertising purposes; web indexing for commercial or advertising purposes; providing user rankings for commercial or advertising purposes; economic forecasting; auctioneering; retail services for works of art provided by art galleries; sales promotion for others; promotion of goods and services through sponsorship of sports events; production of teleshopping programmes; production of advertising films; office machines and equipment rental; rental of advertising time on communication media; publicity material rental; rental of billboards [advertising boards]; rental of vending machines; rental of sales stands; rental of photocopying machine; consumer profiling for commercial or marketing purposes; publication of publicity texts; radio advertising; development of advertising concepts; bill-posting; distribution of samples; dissemination of advertising matter; direct mail advertising; registration of written communications and data; writing of publicity texts; advertising; online advertising on a computer network; advertising by mail order; television advertising; compilation of statistics; compilation of information into computer databases; business inquiries; systemization of information into computer databases; administrative services for medical referrals; advisory services for business

management; corporate communications services; negotiation of business contracts for others; negotiation and conclusion of commercial transactions for third parties; compiling indexes of information for commercial or advertising purposes; tax preparation; drawing up of statements of account; telemarketing services; psychological testing for the selection of personnel; interim business management; business management of hotels; business management for freelance service providers; business project management services for construction projects; commercial administration of the licensing of the goods and services of others; business management of reimbursement programs for others; administration of consumer loyalty programs; administration of frequent flyer programs; administrative processing of purchase orders; administrative services for the relocation of businesses; public relations; commercial lobbying services; competitive intelligence services; modelling for advertising or sales promotion; typing; market intelligence services; appointment reminder services [office functions]; web site traffic optimization; tax filing services; search engine optimization for sales promotion; retail services relating to bakery products; gift registry services; price comparison services; pay per click advertising; secretarial services; procurement services for others [purchasing goods and services for other businesses]; shorthand; outsourcing services [business assistance]; telephone answering for unavailable subscribers; telephone switchboard services; photocopying services; business efficiency expert services; provision of an online marketplace for buyers and sellers of goods and services; presentation of goods on communication media, for retail purposes; media relations services; wholesale services for pharmaceutical, veterinary and sanitary preparations and medical supplies; retail services for pharmaceutical, veterinary and sanitary preparations and medical supplies; outsourced administrative management for companies; appointment scheduling services [office functions].

39 – Air transport; motor coach rental; boat rental; garage rental; rental of vehicle roof racks; aircraft rental; parking place rental; rental of warehouses; rental of tractors; booking of seats for travel; travel reservation; transport reservation; towing; vehicle breakdown towing services; bottling services; water distribution; delivery of newspapers; message delivery; parcel delivery; delivery of goods; delivery of goods by mail order; flower delivery; replenishment of vending machines; launching of satellites for others; transportation logistics; rescue operations [transport]; arranging of cruises; arranging of passenger transportation services for others via an online application; arranging for travel visas and travel documents for persons travelling abroad; armored-car transport; hauling; carting; transport and storage of trash; transporting furniture; lighterage services; ferry-boat transport; removal services; transport of travellers; guarded transport of valuables; bus transport; car transport; barge trans-

port; boat transport; railway transport; marine transport; passenger transport; river transport; ambulance transport; streetcar transport; portage; piloting of civilian drones; refloating of ships; cash replenishment of automated teller machines; shipbrokerage; transport brokerage; freight brokerage [forwarding (Am.)]; providing driving directions for travel purposes; providing traffic information; providing information relating to storage services; providing transportation information; car rental; railway truck rental; rental of diving bells; rental of diving suits; rental of motor racing cars; rental of aircraft engines; railway coach rental; rental of wheelchairs; rental of storage containers; horse rental; rental of freezers; rental of navigational systems; refrigerator rental; vehicle rental; stevedoring; unloading cargo; electricity distribution; distribution of energy; packaging of goods; collection of recyclable goods [transport]; carpooling services; ice-breaking; piloting; water supplying; escorting of travellers; transport by pipeline; wrapping of goods; operating canal locks; car parking; chauffeur services; pleasure boat transport; car sharing services; courier services [messages or merchandise]; salvaging; salvage of ships; gift wrapping; underwater salvage; taxi transport; transport; luggage storage; franking of mail; freight [shipping of goods]; freighting; physical storage of electronically stored data or documents; boat storage; storage of goods; storage; freight forwarding; rental of electric wine cellars; arranging of transportation for travel tours; transport services for sightseeing tours.

42 – Computer system analysis; recovery of computer data; business card design; graphic design of promotional materials; industrial design; graphic arts design; installation of computer software; scientific research; web site design consultancy; consultancy in the design and development of computer hardware; computer software consultancy; updating of computer software; monitoring of computer systems to detect breakdowns; monitoring of computer systems for detecting unauthorized access or data breach; monitoring of computer systems by remote access; software as a service [SaaS]; maintenance of computer software; providing information relating to computer technology and programming via a web site; providing search engines for the internet; conversion of computer programs and data, other than physical conversion; computer system design; computer rental; rental of computer software; hosting computer sites [web sites]; development of computer platforms; computer software design; software development in the framework of software publishing; computer programming; copying of computer programs; cloud computing; packaging design; user authentication services using single sign-on technology for online software applications; data encryption services; electronic data storage; electronic monitoring of credit card activity to detect fraud via the internet; electronic monitoring of personally identifying information to detect identity theft

via the internet; interior design; information technology [IT] consultancy; platform as a service [PaaS].

(260) AM 2021 112105 A
 (800) 1579622
 (151) 2020 11 30
 (891) 2020 11 30
 (731) NICO JAMONES, S.L.
 Ctra. Piedrabuena, s/n, E-13108 Luciana
 (Ciudad Real), Spain
 (540)

NICO

(591) Black, white
 (511)
 29 – Hams; sausages and charcuterie products.

(260) AM 2021 112108 A
 (800) 1579716
 (151) 2021 01 14
 (891) 2021 01 14
 (731) EUROPA Re AG
 Bundesplatz 16, CH-6300 Zug, Switzerland
 (540)

EUROPA RE
 going beyond reinsurance

(591) Blue (Pantone 541C) and orange (Pantone 021C)

(531) 27.05.10; 27.05.11; 29.01.12
 (511)

36 – Insurance services, including insurance, reinsurance, advice and information in the field of insurance, reinsurance and risk management; assistance services for insurers and reinsurers, namely, underwriting, price structure, claim management and risk management; financial affairs; all the aforesaid services also via a global computer network (the Internet); all the aforesaid services are of European origin.

38 – Online information services, namely provision of access to Internet platforms and databases in the field of insurance and reinsurance, in particular for insurance model and risk assessment; all the aforesaid services are of European origin.

(260) AM 2021 112109 A
 (800) 1579718
 (151) 2021 02 09
 (891) 2021 02 09
 (731) Sany Group Co., Ltd.
 Third Floor, SANY Administrative Center,
 SANY Industrial Park, Economic and
 Technological, Development Zone, Changsha,
 Hunan, China

(540)

SANY

(591) Black, white

(531) 27.05.17

(511)

12 – Motor coaches; trucks; sport utility vehicles; cars; locomotives; concrete mixing vehicles; vehicle chassis; trucks with a crane feature incorporated; tires for vehicle wheels; air vehicles.

(260) AM 2021 112119 A

(800) 1580166

(151) 2020 12 02

(891) 2020 12 02

(731) ZHONGCE RUBBER GROUP COMPANY LIMITED

No.2 10th Avenue, Economic and Technological, Development Zone, Jianggan District, Hangzhou, Zhejiang, China

(540)

RISEN

(591) Black, white

(531) 27.05.01; 27.05.11; 27.05.17

(511)

12 – Automobile tyres; tyres for vehicle wheels; bicycle tyres; treads for retreading tyres.

(260) AM 2021 112136 A

(800) 1580677

(151) 2020 11 25

(891) 2020 11 25

(731) Toruńskie Zakłady Materiałów, Opatunkowych, Spółka Akcyjna Żółkiewskiego 20/26, PL-87-100 Toruń, Poland

(540)



PANTY

(591) Black, white

(531) 24.07.01; 24.07.23; 26.04.06; 26.04.07; 26.04.17; 26.04.24; 27.05.09

(511)

5 – Sanitary towels, panty liners.

(260) AM 2021 112137 A

(800) 1580682

(151) 2020 11 12

(891) 2020 11 12

(731) MATARACI BMB ULUSLARARASI NAKLİYE İNŞAAT VE LOJİSTİK HİZMETLERİ İÇ VE DIŞ TİCARET LİMİTED ŞİRKETİ

Eminettin Mah. Menderes Bulv., Yavuz Plaza K:9 No:804 Rize, Merkez, Turkey

(540)



(591) Gray, white

(531) 26.04.18; 27.05.10; 27.05.15; 29.01.12

(511)

24 – Woven or non-woven textile fabrics; textile goods for household use, not included in other classes; curtains, bed covers, sheets (textile), pillowcases, blankets, quilts, towels; flags, pennants, labels of textile; swaddling blankets; sleeping bags for camping.

35 – Advertising, marketing and public relations; organization of exhibitions and trade fairs for commercial or advertising purposes; office functions; secretarial services; arranging newspaper subscriptions for others; compilation of statistics; rental of office machines; systemization of information into computer databases; telephone answering for unavailable subscribers; business management, business administration and business consultancy; accounting; commercial consultancy services; personnel recruitment, personnel placement, employment agencies, import-export agencies; temporary personnel placement services; auctioneering; the bringing together, for the benefit of others, of a variety of goods, namely, woven or non-woven textile fabrics, textile goods for household use: curtains, bed covers, sheets (textile), pillowcases, blankets, quilts, towels, flags, pennants, labels of textile, swaddling blankets, sleeping bags for camping, enabling customers to conveniently view and purchase those goods, such services may be provided by retail stores, wholesale outlets, by means of electronic media or through mail order catalogues.

(260) AM 2021 112138 A

(800) 1580742

(151) 2020 11 20

(891) 2020 11 20

(731) FERNAS ALCI SANAYİ VE TİCARET ANONİM ŞİRKETİ

Diyarbakır Cad. Nasıroğlu İş Merk., Kat-1 No:101, Merkez-Batman, Turkey

(540)



(591) Blue, red, gray, white

(531) 26.11.12; 27.05.10; 29.01.13

(526) ® – "Registered sign

(511)

19 – Sand, gravel, crushed stone, asphalt, bitumen, cement, gypsum, plaster, concrete, marble blocks for construction, included in this class; building materials (as finished products) made of concrete, gypsum, clay, potters' clay, stone, marble, wood, plastics and synthetic materials for building, construction, road construction purposes, included in this class; non-metallic buildings, non-metallic building materials, poles not of metal for power lines, barriers not of metal; natural and synthetic coatings [building materials] in the form of panels and sheets; bitumen cardboard coatings for roofing; bitumen coating for roofing; doors and windows of wood and synthetic materials; traffic signs, non-luminous and non-mechanical, not of metal; monuments, not of metal; building glass; swimming pools [structures], not of metal; aquarium sand.

(260) AM 2021 112139 A

(800) 1580764

(151) 2021 01 06

(891) 2021 01 06

(731) "TRADEMARK COMPANY" LIMITED
LIABILITY COMPANY

Sportyvna ploshcha, 3, Kyiv 01601, Ukraine

(540)



(591) Black, white

(531) 03.01.08; 03.01.24

(511)

25 – Clothing, footwear, headwear; adhesive bras; albs; ankle boots; aprons [clothing]; ascots; babies' pants [underwear]; bandanas [neckerchiefs]; bathing caps; bathing suits; bathing trunks; bath robes; bath sandals; bath slippers; beach clothes; beach shoes; belts [clothing]; berets; bibs, not of paper; bibs, sleeved, not of paper; boas [necklets]; bodices [lingerie]; boots; boots for sports; boot uppers; boxer shorts; braces for clothing [suspenders]; brassieres; breeches for wear; camisoles; cap peaks; caps being headwear; chasubles; clothing; clothing containing slimming substances; clothing for gymnastics; clothing incorpo-

rating LEDs; clothing of imitations of leather; clothing of leather; coats; collars [clothing]; combinations [clothing]; corselets; corsets [underclothing]; cuffs; cyclists' clothing; detachable collars; dresses; dressing gowns; dress shields; ear muffs [clothing]; embroidered clothing; esparto shoes or sandals; fingerless gloves; fishing vests; fittings of metal for footwear; football boots; footmuffs, not electrically heated; footwear; footwear uppers; furs [clothing]; fur stoles; gabardines [clothing]; gaiters; galoshes; garters; girdles; gloves [clothing]; gymnastic shoes; hairdressing capes; half-boots; hat frames [skeletons]; hats; headbands [clothing]; headscarves; headwear; heelpieces for footwear; heelpieces for stockings; heel protectors for shoes; heels; hoods [clothing]; hosiery; inner soles; jackets [clothing]; jerseys [clothing]; judo uniforms; jumper dresses; karate uniforms; kimonos; knitwear [clothing]; lace boots; latex clothing; layettes [clothing]; leggings [leg warmers]; leggings [trousers]; leotards; liveries; maniples; mantillas; masquerade costumes; miters [hats]; mittens; money belts [clothing]; motorists' clothing; muffs [clothing]; neck gaiters; neckties; non-slipping devices for footwear; outerclothing; overalls; overcoats; pajamas; panties; paper clothing; paper hats [clothing]; parkas; pelerines; pelisses; petticoats; pockets for clothing; pocket squares; ponchos; rash guards; ready-made clothing; ready-made linings [parts of clothing]; sandals; saris; sarongs; sashes for wear; scarfs; shawls; shirt fronts; shirts; shirt yokes; shoes; short-sleeve shirts; shower caps; ski boots; ski gloves; skirts; skorts; skull caps; sleep masks; slippers; slips [underclothing]; socks; sock suspenders; soles for footwear; sports jerseys; sports shoes; sports singlets; stockings; stocking suspenders; studs for football boots; stuff jackets [clothing]; suits; sweat-absorbent socks; sweat-absorbent stockings; sweat-absorbent underwear; sweaters; teddies [underclothing]; tee-shirts; tights; tips for footwear; togas; top hats; trousers; trouser straps; turbans; underpants; underwear; uniforms; valenki [felted boots]; veils [clothing]; vests; visors being headwear; waterproof clothing; welts for footwear; wet suits for water-skiing; wimples; wooden shoes.

(260) AM 2021 112140 A

(800) 1580785

(151) 2021 01 27

(891) 2021 01 27

(731) Limited Liability Company "Russian Mining
Chemical Company"

Lyusinovskaya ul., d. 36, str. 1, et. 8,

RU-115093 Moskva, Russian Federation

(540)



(591) Gray and its tinctures and black

(531) 01.15.09; 17.02.04; 27.05.09

(511)

1 – Foundry binding substances; leather-dressing chemicals; detergent additives to petrol; chemical additives to drilling muds; caustics for industrial purposes; filtering materials of mineral substances; vulcanizing preparations; drilling muds; vulcanization accelerators.

(260) AM 2021 112215 A

(800) 1581328

(151) 2020 09 02

(891) 2020 09 02

(731) "Zavod Bulbash" Limited Liability Company
d. Vendelevo, 50, Petrishkovskiy s/s, 223037
Minskiy r-n, Minskaya obl., Belarus

(540)



(591) Blue, beige, grey, brown, black and white colors, shades of blue, grey, beige and brown colors

(531) 05.07.02; 19.07.01; 19.07.17; 19.07.23; 28.05; 29.01.15

(554) Three-Dimensional

(526) Добра Шклянка

(511)

33 – Vodka.

(260) AM 2021 112216 A

(800) 1581346

(151) 2020 11 20

(891) 2020 11 20

(731) OPELLA HEALTHCARE SWITZERLAND
AG

Suurstoffi 2, CH-6343 Rotkreuz, Switzerland

(540)

Opella Healthcare

(591) Black, white

(511)

3 – Non-medicated preparations for skin hygiene, care and maintenance; products for personal hygiene; cosmetic products; soaps; perfumery; essential oils; scalp and hair shampoos; non-medicated preparations for skin cleansing and care; skin creams, skin and hair lotions, gels [cosmetics and toiletries], pomades [cosmetics], cold cream [cosmetics and toiletries]; skin care preparations; preparations for sun protection; preparations for whitening the skin; dentifrices and mouthwashes not intended for medical purposes; breath fresheners; dental gels; dentifrice; tooth-whitening preparations, tooth-polishing preparations, tooth-whitening preparations and accelerators, cosmetic preparations for removing stains from teeth; non-medicated toilet preparations; oral care preparations; preparations for cleaning, washing, polishing and deodorizing dental prostheses.

5 – Pharmaceutical preparations; sanitary preparations for medical use; dietetic substances adapted for medical use, food for babies; materials for dressings; disinfectants; vitamins, vitamin-based preparations; natural foods for medical use and plant-based remedies for medical use included in this class; beverages and foods for medical use, food supplements and additives for medical use; mineral food supplements for medical use, nutritional supplements, plant-based preparations, all for medical use; products made from plants and plant extracts for medicinal purposes; preparations for making dietetic or medicated beverages; medicinal preparations; chemical preparations for medicinal purposes; substances for medicinal purposes, medicinal candy and confectionery for medicinal purposes, pharmacological preparations for skin care; therapeutic (medical) agents; food for infants and the disabled; preparations for weight loss.

9 – Contact lenses; spectacles; computer software in the field of health, diet, wellness and nutrition; medical imaging software; downloadable software in the nature of a mobile application for mobile telephones, tablets, handheld computers and other wireless apparatus, namely, software for providing advisory services regarding health, diet, wellness and nutrition; computer software enabling healthcare professionals to access information about related pharmaceutical and medical products and services.

10 – Surgical, medical, dental and veterinary apparatus and instruments, orthopedic articles; suture material; medical imaging apparatus; dental care apparatus; bite guards; nasal dilators; plasters for medical or surgical use.

41 – Teaching and training in the field of health, diet, wellness and nutrition; organization of seminars, conferences and congresses in the field of health, diet, wellness and nutrition; publication of magazines, books and manuals and dissemination of digital media for information or training in the field of health, diet,

wellness and nutrition; educational services relating to weight loss, diet, nutrition and fitness.

44 – Medical services; hygienic and beauty care, advice in the field of pharmacy, health, diet, wellness and nutrition; information and awareness programs in the field of health, diet, wellness and nutrition; information provided to patients and healthcare professionals concerning pharmaceutical products, vaccines, medical disorders and diseases and related treatments via the internet.

(260) AM 2021 112248 A

(800) 1189561

(151) 2013 09 16

(891) 2021 02 24

(731) Gorilla Sports Holding AG

Mosersweid 56, CH-9050 Appenzell,
Switzerland

(540)

GORILLA SPORTS

(591) Black, white

(511)

25 – Clothing for adults; headgear.

27 – Gymnastic mats and yoga mats.

28 – Games and playthings; gymnastic and sporting articles namely bar bells, bars, bar bell plates, bar bell racks, weight plate racks, other weights, kettle bells, kettle bell racks, included in this class, training benches, lat machines, press benches, sit-up benches included in this class, weightlifting apparatus and equipment, hand-grip exercisers, aerobic fitness steppers, gymnastic balls.

41 – Training, conducting of sports competitions, services relating to sports and leisure events.

(260) AM 2021 112322 A

(800) 1582415

(151) 2020 12 06

(891) 2020 12 06

(731) Jose Bay e.U.

DC Tower, Donau-City-Straße 7/20.Stock,
A-1220 Wien, Austria

(540)

Jobchain

(591) Black, white

(511)

36 – Financial services; banking; brokerage; brokerage of currency; buying and selling currency; exchange brokerage; capital investment; investments; financial clearing and financial clearing houses; deposits of valuables; electronic funds transfer; exchanging money; financial analysis; financial consultancy; financial advisory services; financial information; financing services; issuance of tokens of value; online banking; pro-

cessing of financial transactions; processing of credit card payments; processing of debit card payments; providing financial information via a web site; providing rebates at participating establishments of others through use of a membership card; safe deposit services; securities brokerage; stock brokerage services; stock exchange quotations; loans; monitoring of funds; monitoring of investments; investment research; economic financial research services; financial modelling; business appraisals for financial valuation; trading and exchange of bitcoins; buying, selling and exchange of trading currency; digital currency exchange services; trading of securities; financial transactions using digital tokens; the foregoing related to digital currency, cryptocurrency and currency trading.

(260) AM 2021 112331 A

(800) 1582769

(151) 2020 12 23

(891) 2020 12 23

(731) WENZHOUS LOFFREY SANITARY WARE
CO., LTD.

Building No.6, No.468, Binhai 15 Road, Binhai
Sub-District, Economy and Technology
District, Wenzhou, 325000 Zhejiang,
China

(540)

AFLORN

(591) Black, white

(531) 27.05.01

(511)

6 – Steel tubes; water-pipes of metal; elbows of metal for pipes; pipework of metal; water-pipe valves of metal; stainless steel pipes; valves of metal, other than parts of machines; connectors of metal for pipes; nuts of metal; screws of metal.

11 – Cocks for pipes and pipelines; pipes [parts of sanitary installations]; water-pipes for sanitary installations; faucets; radiators; floor drain; hand drying apparatus for washrooms; toilet bowls; shower heads; flushing tanks.

21 – Nozzles for sprinkler hose; boxes for dispensing paper towels; soap holders; soap dispensers; toilet paper holders; towel racks; towel rails and rings; towel bars; dustbins; toilet brushes.

(260) AM 2021 112332 A

(800) 1582826

(151) 2021 02 17

(891) 2021 02 17

(731) The European Fund for Southeast Europe S.A.,
SICAV-SIF

31, Z. A. Bourmicht, L-8070 Bertrange,
Luxembourg

(540)



(591) Grey, dark grey, green, light blue, blue and dark blue

(531) 26.04.04; 26.04.09; 26.04.24; 27.05.10; 29.01.14

(511)

16 – Printed matter; magazines; periodicals; printed publications; educational and teaching materials, except apparatus; stationery.

36 – Financial affairs; monetary affairs; real estate affairs; investment and financing services; raising of finance; financing, provision and arranging of loans; underwriting services; financial investment and financial management services; guarantee services; corporate finance services; financial and investment planning services; advisory, consultancy, information, assistance, analysis and appraisal services relating to the aforesaid services; financial evaluation; fund investments.

41 – Education and instruction; entertainment services; cultural activities; organisation and holding of congresses, conferences, symposia, conventions, seminars, training courses, educational events, workshops; organisation and holding of exhibitions for entertainment, cultural or educational purposes; publication of printed and electronic books, magazines, periodicals and instructional literature; publishing services.

(260) AM 2021 112333 A

(800) 1582898

(151) 2020 12 09

(891) 2020 12 09

(731) TÜRK HAVA YOLLARI ANONİM ORTAKLIĞI

GENEL YÖNETİM BİNASI YEŞİLKÖY
NO: 3, BAKIRKOY/İSTANBUL, Turkey

(540)

(591) Black, red, white

(531) 27.05.01; 27.05.09; 29.01.12

(511)

12 – Vehicles; apparatus for locomotion by land, air or water.

37 – Construction services; installation and repair services; mining extraction, oil and gas drilling.

(260) AM 2021 112334 A

(800) 1582922

(151) 2021 02 08

(891) 2021 02 08

(731) Rosier S.A.

Route de Grandmetz 11A, B-7911 Moustier,
Belgium

(540)



(591) Blue, light blue, white

(531) 01.15.15; 01.15.23; 26.11.12; 26.11.14; 27.05.17; 29.01.04

(511)

1 – Fertilizers and chemical products for use in agriculture, horticulture and forestry; fertilizers; nitrogenous chemical products; nitrogenous fertilizers; raw materials for fertilizers; mineral fertilizers; chemical additives for soil; ammonia; ammonium nitrate; urea [fertilizer]; nitric acid.

(260) AM 2021 112336 A

(800) 1583035

(151) 2020 12 01

(891) 2020 12 01

(731) Volkswagen Aktiengesellschaft

Berliner Ring 2, 38440 Wolfsburg,
Germany

(540)

ARTEMIS

(591) Black, white

(511)

9 – Navigation, guidance, tracking, targeting and map making devices; measuring, detecting and monitoring instruments, indicators and controllers; automatic indicators of low pressure in vehicle tyres; mileage recorders for vehicles; vehicle breakdown warning triangles; warning lamps for vehicles; batteries, electric and their parts; accumulators, electric and their parts; fuel cells and their parts; solar batteries; batteries, electric, for vehicles; chargers for batteries, electric; simulators for the steering and control of vehicles; voltage regulators for vehicles, speed indicators; navigation apparatus for vehicles [on-board computers]; radios; directional compasses; navigating apparatus [compasses]; navigational instruments; loudspeakers; cabinets for loudspeakers; data processing equipment; computers; computer programs for use in the autonomous driving of vehicles; computer programs for use in the autonomous navigation of vehicles; computer programs for use in autonomous control of vehicles; computer programs, recorded or downloadable, especially electronical data compilation; computer softwa-

re platforms, recorded or downloadable; software; application software; charging stations for electric vehicles; parking sensors for vehicles; rearview cameras for vehicles; electric wire harnesses for vehicles; parts and fittings of all aforesaid goods, included in this class.

12 – Motor land vehicles; driverless cars [autonomous cars]; powertrains, including engines and motors, for land vehicles; propulsion mechanisms for land vehicles; chassis for vehicles; vehicle bodies; couplings for land vehicles; shock absorbers for vehicles; shock absorbing springs for vehicles; pneumatic tyres; tyres for vehicle wheels; rims for vehicle wheels; solid rubber tyres for vehicle wheels; vehicle wheels; hubs for vehicle wheels; lug nuts for vehicle wheels; inner tubes for pneumatic tyres; casings for pneumatic tyres; tyre mousse inserts; repair outfits for inner tubes, adhesive rubber patches for repairing inner tubes; spikes for tyres; tire snow chains [land vehicle parts]; non-skid devices for vehicle tyres; vehicle seats; rearview mirrors; head-rests for vehicle seats; security systems for vehicles [other than locks], anti-theft devices for vehicles; cigar lighters for automobiles; automotive vehicles; cars; robotic cars; motor racing cars; vans [vehicles]; trailers and semi-trailers for vehicles; trailer hitches for vehicles; omnibuses; motorcycles; mopeds; bicycles; electric bicycles; motor buses; caravans; two-wheeled vehicles; scooters [vehicles]; self-balancing boards; self-balancing electric unicycles; self-balancing one-wheeled electric scooters; clips adapted for fastening automobile parts to automobile bodies; tumbler holders adapted for use in motor vehicles; parts and accessories for all the above-mentioned goods, included in this class.

35 – Retail and wholesale services in relation to motor vehicles, vehicle parts and accessories, motors and power units for land vehicles, chassis for land vehicles, vehicle bodies and tires for vehicle wheels; retail and wholesale services for mail order in relation to motor vehicles, vehicle parts and accessories, motors and power units for land vehicles, chassis for land vehicles, vehicle bodies and tires for vehicle wheels; retail and wholesale services via the Internet in relation to motor vehicles, vehicle parts and accessories, motors and power units for land vehicles, chassis for land vehicles, vehicle bodies and tires for vehicle wheels; retail and wholesale services of teleshopping consignments in relation to motor vehicles, vehicle parts and accessories, motors and power units for land/farm vehicles, chassis for land/farm vehicles, vehicle bodies and tires for vehicle wheels; the bringing together, but not transporting, of a variety of motor vehicles and their parts and accessories, motors and engines for land vehicles, vehicle chassis, vehicle bodies and tires for vehicle wheels for the benefit of others, enabling customers to view and purchase the goods in a retail outlet; mediation of contracts for third parties on the purchase and sale of motor vehi-

les, motor vehicle parts and accessories, engines and powertrains for land vehicles, chassis for vehicles or vehicle bodies and tires for vehicle wheels.

37 – Cleaning and maintenance relating to machines and motor vehicles; conversion, repair, servicing, dismantling, maintenance, care, cleaning and painting of vehicles, motors, wheels for vehicles and parts therefor; vehicle fueling services; vehicle breakdown repair services; custom conversion of motor vehicle bodies, chassis, motors and engines (tuning), included in this class; painting of vehicles; vehicle polishing; anti-rust treatment for vehicles; vehicle maintenance; vehicle cleaning; retreading of tyres; consultancy and information relating to the above-mentioned services, included in this class.

39 – Transport; travel and passenger transportation; taxi transport; transport by motor vehicles; transportation logistics; vehicle rental, especially automobiles; transport of persons, in particular by buses; car sharing services; arranging of passenger transportation services for others via an online application; traffic information; controlling of fleet vehicles using electronic navigational and positioning apparatus.

(260) AM 2021 112340 A

(800) 1583074

(151) 2021 01 13

(891) 2021 01 13

(731) "DANHSON – BG" OOD

Otets Paisiy street, 26, Radomir, BG-2400
Pernik, Bulgaria

(540)



(591) White, light gray, gray, dark gray and black

(531) 05.03.13; 05.03.14; 24.13.01; 24.13.17;

27.05.01; 28.05

(511)

5 – Pharmaceutical and veterinary preparations; sanitary preparations for medical purposes; dietetic substances adapted for medical use, food for babies.

35 – Import-export agency services; demonstration of goods; market studies; updating and maintenance of data in computer databases; organization of trade fairs for commercial or advertising purposes; provision of an online marketplace for buyers and sellers of goods and services; presentation of goods on communication media, for retail purposes; sales promotion for others; distribution of samples; dissemination of advertising matter; wholesale services for pharmaceutical, veterinary and sanitary preparations and medical supplies; retail services for pharmaceutical, veterinary and sanitary preparations and medical supplies; commercial

administration of the licensing of the goods and services of others; procurement services for others [purchasing goods and services for other businesses].

(260) AM 2021 112358 A

(800) 1343270

(151) 2017 01 11

(891) 2020 12 30

(731) GEN İLAÇ VE SAĞLIK ÜRÜNLERİ
SANAYİ VE TİCARET ANONİM ŞİRKETİ
Mustafa Kemal Mahallesi 2119., Sokak No:3
D:2-3, Çankaya, TR-06520 Ankara, Turkey

(540)

VORIGEN

(591) Black, white

(531) 27.05.01

(511)

5 – Pharmaceuticals, medical and veterinary preparations; sanitary preparations for medical purposes; dietetic food and substances adapted for medical or veterinary use, food for babies; dietary supplements for humans and animals; plasters, materials for dressings; material for stopping teeth, dental wax; disinfectants; preparations for destroying vermin; fungicides, herbicides.

(260) AM 2021 112359 A

(800) 1343278

(151) 2017 01 11

(891) 2020 12 30

(731) GEN İLAÇ VE SAĞLIK ÜRÜNLERİ
SANAYİ VE TİCARET ANONİM ŞİRKETİ
Mustafa Kemal Mahallesi 2119., Sokak No:3
D:2-3, Çankaya, TR-06520 Ankara, Turkey

(540)

Genium

(591) Black, white

(531) 27.05.01

(511)

5 – Pharmaceuticals, medical and veterinary preparations; sanitary preparations for medical purposes; dietetic food and substances adapted for medical or veterinary use, food for babies; dietary supplements for humans and animals; plasters, materials for dressings; material for stopping teeth, dental wax; disinfectants; preparations for destroying vermin; fungicides, herbicides.

(260) AM 2021 112424 A

(800) 1583436

(151) 2020 10 22

(891) 2020 10 22

(731) Apple Inc.
One Apple Park Way, Cupertino CA 95014,
USA

(540)



(591) Black, white

(531) 05.07.13; 05.07.23; 27.05.01

(511)

38 – Subscription-based broadcasting and transmission of streamed music, audio, video, data, images, and multimedia content by means of telecommunications networks.

41 – Distribution, rental, and presentation of radio programs, television programs, motion pictures, multimedia entertainment content, podcasts, and sound recordings; entertainment in the nature of ongoing television, radio, audio, video, podcast, and webcast programs; providing entertainment, sports, animation, music, informational, news, reality, documentary, current events, and arts and culture programming via a fee or pre-paid subscription service accessed by means of telecommunications networks, computer networks, the Internet, satellite, radio, wireless communications networks, television, and cable television; providing non-downloadable computer games, electronic games, interactive games, and video games; providing non-downloadable pre-recorded music, video, and graphics for use on mobile communications devices; providing books, periodicals, newspapers, newsletters, manuals, blogs, journals, and other publications through websites and computer applications; providing fitness and exercise training via non-downloadable computer software.

(260) AM 2021 112425 A

(800) 1583450

(151) 2021 01 11

(891) 2021 01 11

(731) "MY REPUBLIC" Ltd.

Pohodniy proezd, building 14, lev/place/room
5/II/№5, RU-125373 Moscow, Russian
Federation

(540)

Spin&Clean

(591) Black, white

(531) 24.17.09; 27.05.01

(511)

3 – Abrasives; amber [perfume]; descaling preparations for household purposes; antistatic preparations for household purposes; aromatics [essential oils]; air fragrancing preparations; canned pressurized air for cleaning and dusting purposes; balms, other than for medical purposes; polishing stones; abrasive paper; emery paper; polishing paper; petroleum jelly for

cosmetic purposes; shoe polish; cobblers' wax; cotton wool for cosmetic purposes; sachets for perfuming linen; drying agents for dishwashing machines; adhesives for cosmetic purposes; scented water; Javelle water; lavender water; toilet water; floor wax; non-slipping wax for floors; tailors' wax; polish for furniture and flooring; shoemakers' wax; polishing wax; scented wood; perfumes; non-slipping liquids for floors; windshield cleaning liquids; volcanic ash for cleaning; shaving stones [astringents]; smoothing stones; cosmetic pencils; silicon carbide [abrasive]; carbides of metal [abrasives]; alum stones [astringents]; tripoli stone for polishing; quillaia bark for washing; corundum [abrasive]; colorants for toilet purposes; cosmetic dyes; laundry starch; laundry glaze; shoe cream; polishing creams; cosmetic creams; skin whitening creams; polishing rouge; hair lotions; oils for toilet purposes; whiting; cleaning chalk; almond milk for cosmetic purposes; cleansing milk for toilet purposes; musk [perfumery]; soap; deodorant soap; shaving soap; soap for brightening textile; cakes of toilet soap; antiperspirant soap; soap for foot perspiration; almond soap; emery; abrasive cloth; glass cloth [abrasive cloth]; lipsticks; laundry soaking preparations; grinding preparations; smoothing preparations [starching]; color-removing preparations; polishing preparations; starch glaze for laundry purposes; fabric softeners for laundry use; laundry bleach; dry-cleaning preparations; paint stripping preparations; lacquer-removing preparations; make-up removing preparations; floor wax removers [scouring preparations]; varnish-removing preparations; rust removing preparations; cleaning preparations; preparations for cleaning dentures; wallpaper cleaning preparations; preparations for unblocking drain pipes; laundry preparations; color-brightening chemicals for household purposes [laundry]; shining preparations [polish]; diamantine [abrasive]; stain removers; scouring solutions; tissues impregnated with cosmetic lotions; laundry blueing; turpentine for degreasing; potpourris [fragrances]; bleaching soda; bath salts, not for medical purposes; bleaching salts; fumigation preparations [perfumes]; preservatives for leather [polishes]; ammonia [volatile alkali] [detergent]; cosmetics; detergents, other than for use in manufacturing operations and for medical purposes; degreasers, other than for use in manufacturing processes; antiperspirants [toilettries]; emery cloth; cloths impregnated with a detergent for cleaning; sandpaper; soda lye; mint essence [essential oil].

6 – Vats of metal; beams of metal; joists of metal; bottles [metal containers] for compressed gas or liquid air; tin cans; arbours [structures] of metal; blooms [metallurgy]; ingots of common metal; casks of metal; mooring buoys of metal; barrels of metal; bronze; bells; bells for animals; letters and numerals of common metal, except type; silos of metal; busts of common metal; vanadium; bird baths [structures] of metal; valves of metal, other than parts of machines; screws of metal; aviaries [structures] of metal; tun-

gsten; hoppers of metal, non-mechanical; gates of metal; sleeves [metal hardware]; ferrules of metal for handles; signboards of metal; diving boards of metal; loading gauge rods of metal for railway wagons; chimney pots of metal; memorial plates of metal; chimney shafts of metal; troughs of metal for mixing mortar; packaging containers of metal; containers of metal for storing acids; jalousies of metal; outdoor blinds of metal; iron strip; roof gutters of metal; street gutters of metal; tinplate; iron slabs; door bolts of metal; window fasteners of metal; bolts, flat; clips of metal for sealing bags; binding screws of metal for cables; crampons of metal [cramps]; wheel clamps [boots]; rivets of metal; box fasteners of metal; locks of metal for bags; locks of metal for vehicles; locks of metal, other than electric; spring locks; closures of metal for containers; bungs of metal; latches of metal; tension links; couplings of metal for chains; road signs, non-luminous and non-mechanical, of metal; registration plates of metal; signs, non-luminous and non-mechanical, of metal; fences of metal; buckles of common metal [hardware]; bronzes [works of art]; works of art of common metal; hardware of metal, small; indium; cabanas of metal; soundproof booths of metal, transportable; telephone booths of metal; cadmium; paint spraying booths of metal; telfer cables; ropes of metal; jerrycans of metal; greenhouse frames of metal; framework of metal for building; cornices of metal; metal cages for wild animals; mooring bollards of metal; cobalt, raw; chill-molds [foundry]; elbows of metal for pipes; bed casters of metal; furniture casters of metal; manifolds of metal for pipelines; casings of metal for oilwells; chimney cowls of metal; bottle caps of metal; sealing caps of metal; tent pegs of metal; pegs of metal; copper rings; ferrules of metal; split rings of common metal for keys; rings of metal; door fittings of metal; fittings of metal for windows; brackets of metal for building; buildings of metal; buildings, transportable, of metal; steel buildings; containers of metal [storage, transport]; guard rails of metal for railways; baskets of metal; door frames of metal; tool boxes of metal, empty; stringers [parts of staircases] of metal; faucets of metal for casks; tubing of metal; roofing of metal; manhole covers of metal; hooks [metal hardware]; pot hooks of metal; sash fasteners of metal for windows; hooks of metal for clothes rails; clothes hooks of metal; chicken-houses of metal; chests of metal; wrapping or binding bands of metal; staircases of metal; ladders of metal; limonite; steel sheets; traps for wild animals; reinforcing materials, of metal, for concrete; reinforcing materials of metal for pipes; reinforcing materials of metal for building; railway material of metal; materials of metal for funicular railway permanent ways; building materials of metal; refractory construction materials of metal; masts of metal; steel masts; sheets and plates of metal; pyrophoric metals; metals in powder form; moldings of metal for building; moldings of metal for cornices; molybdenum; metal knoc-

kers; pipe muffs of metal; porches [structures] of metal; flashing of metal for building; roof flashing of metal; fish plates [rails]; anvils; anvils [portable]; beak-irons; rope thimbles of metal; ferrules of metal for walking sticks; handcuffs; jets of metal; duckboards of metal; belt stretchers of metal; stretchers for metal bands [tension links]; grease nipples; binding thread of metal for agricultural purposes; thread of metal for tying-up purposes; braces of metal for handling loads; wall claddings of metal for building; enclosures of metal for tombs; laths of metal; barrel hoops of metal; wall linings of metal for building; palings of metal; crash barriers of metal for roads; tree protectors of metal; trellis of metal; door stops of metal; stops of metal; window stops of metal; windows of metal; ironwork for doors; ironwork for windows; tin; shuttering of metal for concrete; filings of metal; poles of metal for power lines; props of metal; branching pipes of metal; monuments of metal; monuments of metal for tombs; acoustic panels of metal; wainscoting of metal; signalling panels, non-luminous and non-mechanical, of metal; building panels of metal; partitions of metal; lintels of metal; casement windows of metal; strap-hinges of metal; shims; rocket launching platforms of metal; platforms, prefabricated, of metal; floor tiles of metal; tiles of metal for building; anchor plates; grave slabs of metal; tile floorings of metal; lead seals; loading pallets of metal; handling pallets of metal; trays of metal; firedogs [andirons]; paving blocks of metal; roof coverings of metal; cladding of metal for building; linings of metal for building; fire-plate mantles of metal; steel strip; door panels of metal; floors of metal; sills of metal; bathtub grab bars of metal; ceilings of metal; brazing alloys; gold solder; silver solder; collars of metal for fastening pipes; floating docks of metal, for mooring boats; aluminium wire; iron wire; wire of common metal; wire of common metal alloys, except fuse wire; barbed wire; copper wire, not insulated; soldering wire of metal; steel wire; springs [metal hardware]; rods of metal for welding; rods of metal for brazing and welding; rods of metal for brazing; window frames of metal; frames of metal for building; containers of metal for liquid fuel; containers of metal for compressed gas or liquid air; tanks of metal; floating containers of metal; rails of metal; straps of metal for handling loads; grilles of metal; runners of metal for sliding doors; door handles of metal; knobs of metal; pigsties of metal; safes [metal or non-metal]; insect screens of metal; burial vaults of metal; door scrapers; junctions of metal for pipes; nozzles of metal; anti-friction metal; silver-plated tin alloys; alloys of common metal; sheaf binders of metal; bindings of metal; shutters of metal; steel alloys; tinfoil; statues of common metal; cask stands of metal; tombstone stelae of metal; bars for metal railings; stables of metal; advertisement columns of metal; posts of metal; telegraph posts of metal; railway points; slings of metal for handling loads; stair treads [steps] of metal; machine belt fasteners of metal;

tombstone plaques of metal; identity plates of metal; tantalum [metal]; greenhouses of metal, transportable; titanium; wire cloth; tombac; mobile boarding stairs of metal for passengers; wire rope; pipework of metal; penstock pipes of metal; water-pipes of metal; gutter pipes of metal; ducts of metal for ventilating and air-conditioning installations; drain pipes of metal; chimneys of metal; pipes of metal; ducts of metal, for central heating installations; steel pipes; angle irons of metal; tinplate packings; door fasteners of metal; bicycle parking installations of metal; wind-driven bird-repelling devices made of metal; towel dispensers, fixed, of metal; figures of common metal; flagpoles [structures] of metal; hand-held flagpoles of metal; flanges of metal [collars]; weather- or wind-vanes of metal; ice moulds of metal; foundry molds of metal; fittings of metal for beds; fittings of metal for furniture; chains of metal; safety chains of metal; pantiles of metal; roofing tiles of metal; poles of metal; safety cashboxes; pulleys of metal, other than for machines; window casement bolts; cotter pins of metal; spurs; pins [hardware]; roller blinds of steel; latch bars of metal; badges of metal for vehicles; labels of metal; lock bolts; cashboxes [metal or non-metal]; tool chests of metal, empty; boxes of common metal; letter boxes of metal; reels of metal, non-mechanical, for flexible hoses; prefabricated houses [kits] of metal; iron, unwrought or semi-wrought; door bells of metal, non-electric; copper, unwrought or semi-wrought; hose numbers of metal, non-luminous; paving slabs of metal; slabs of metal for building; winding spools of metal, non-mechanical, for flexible hoses; lead, unwrought or semi-wrought; cable joints of metal, non-electric; steel, unwrought or semi-wrought; bottle closures of metal; figurines of common metal; step stools of metal; turnstiles of metal.

20 – Picture frame brackets; bumper guards for cots, other than bed linen; reels, not of metal, non-mechanical, for flexible hoses; pulleys of plastics for blinds; bolts, not of metal; casks of wood for decanting wine; mooring buoys, not of metal; casks, not of metal; barrels, not of metal; identification bracelets, not of metal; sideboards; busts of wood, wax, plaster or plastic; costume stands; bolsters; fans for personal use, non-electric; work benches; coatstands; shoulder poles [yokes]; screws, not of metal; display stands; showcases [furniture]; newspaper display stands; comb foundations for beehives; signboards of wood or plastics; loading gauge rods, not of metal, for railway wagons; nuts, not of metal; covers for clothing [wardrobe]; nesting boxes; coffins; doors for furniture; curtain holders, not of textile material; pegs [pins], not of metal; divans; kennels for household pets; keyboards for hanging keys; display boards; plugs [dowels], not of metal; containers, not of metal, for liquid fuel; troughs, not of metal, for mixing mortar; oil drainage containers, not of metal; packaging containers of plastic; indoor window blinds [furniture]; flower-stands [furniture]; curtain tie-backs; binding screws, not of

metal, for cables; clips of plastic for sealing bags; rivets, not of metal; imitation tortoiseshell; locks, not of metal, for vehicles; locks, other than electric, not of metal; bead curtains for decoration; door bolts, not of metal; bottle closures, not of metal; closures, not of metal, for containers; latches, not of metal; mirrors [looking glasses]; hand-held mirrors [toilet mirrors]; registration plates, not of metal; bamboo; scratching posts for cats; animal claws; animal hooves; coral; meerschaum; whalebone, unworked or semi-worked; stag antlers; tortoiseshell; shells; horn, unworked or semi-worked; animal horns; rattan; corozo; plaited straw, except matting; wickerwork; works of art of wood, wax, plaster or plastic; cabinet work; reeds [plaiting materials]; settees; jerrycans, not of metal; curtain rods; index cabinets [furniture]; drain traps [valves] of plastic; water-pipe valves of plastic; valves, not of metal, other than parts of machines; staves of wood; plastic key cards, not encoded and not magnetic; mats for infant playpens; saw horses; bed casters, not of metal; furniture casters, not of metal; brush mountings; chopping blocks [tables]; wind chimes [decoration]; door bells, not of metal, non-electric; bottle caps, not of metal; cradles; tent pegs, not of metal; curtain rings; chests of drawers; console tables; containers, not of metal [storage, transport]; floating containers, not of metal; lecterns; dog kennels; bakers' bread baskets; baskets, not of metal; bottle casings of wood; tool boxes, not of metal, empty; faucets, not of metal, for casks; armchairs; hairdressers' chairs; deck chairs; beds; hospital beds; bedsteads of wood; edgings of plastic for furniture; screw tops, not of metal, for bottles; table tops; hooks, not of metal, for clothes rails; curtain hooks; clothes hooks, not of metal; beds for household pets; nesting boxes for household pets; ladders of wood or plastics; playpens for babies; mannequins; mattresses; air mattresses, not for medical purposes; furniture of metal; office furniture; school furniture; mobiles [decoration]; door knockers, not of metal; curtain rails; barrel hoops, not of metal; moldings for picture frames; bed bases; plastic ramps for use with vehicles; furniture partitions of wood; mother-of-pearl, unworked or semi-worked; ambroid plates; identity plates, not of metal; loading pallets, not of metal; handling pallets, not of metal; transport pallets, not of metal; head-rests [furniture]; trestles [furniture]; magazine racks; book rests [furniture]; stands for calculating machines; flower-pot pedestals; baby changing mats; pet cushions; pillows; cushions; air cushions, not for medical purposes; air pillows, not for medical purposes; removable mats or covers for sinks; racks [furniture]; library shelves; shelves for file cabinets; furniture shelves; shelves for storage; wood ribbon; straw edgings; towel stands [furniture]; hat stands; cask stands, not of metal; inflatable publicity objects; counters [tables]; bedding, except linen; corks for bottles; corks; sealing caps, not of metal; stair rods; standing desks; embroidery frames; towel dispensers, fixed, not of metal; tanks, not of metal nor of

masonry; fodder racks; curtain rollers; door handles, not of metal; knobs, not of metal; fishing baskets; writing desks; seats of metal; benches [furniture]; vats, not of metal; honeycombs; sofas; bungs, not of metal; statues of wood, wax, plaster or plastic; oyster shells; silvered glass [mirrors]; ambroid bars; umbrella stands; gun racks; carts for computers [furniture]; dressing tables; washstands [furniture]; tables; typing desks; drafting tables; massage tables; tables of metal; wall-mounted baby changing platforms; saw benches [furniture]; desks; portable desks; tea carts; dinner wagons [furniture]; steps [ladders], not of metal; chairs [seats]; high chairs for babies; shower chairs; chests, not of metal; placards of wood or plastics; stools; footstools; crates; trolleys [furniture]; straw plaits; mobile boarding stairs, not of metal, for passengers; straw mattresses; decorations of plastic for foodstuffs; beehives; hand-held flagpoles, not of metal; door fittings, not of metal; coffin fittings, not of metal; bed fittings, not of metal; furniture fittings, not of metal; window fittings, not of metal; infant walkers; garment covers [storage]; chaise longues; poles, not of metal; screens [furniture]; filing cabinets; medicine cabinets; plate racks; meat safes; bookcases; wardrobes; cupboards; bamboo curtains; slatted indoor blinds; screens for fireplaces [furniture]; labels of plastic; yellow amber; lockers; chests for toys; tool chests, not of metal, empty; boxes of wood or plastic; bottle racks; reels of wood for yarn, silk, cord; letter boxes, not of metal or masonry; figurines of wood, wax, plaster or plastic; step stools, not of metal; winding spools, not of metal, non-mechanical, for flexible hoses.

21 – Buckets; cookie jars; china ornaments; dishes; paper plates; vegetable dishes; saucers; mugs; boxes for sweets; bottles; demijohns; vases; epergnes; fruit cups; inflatable bath tubs for babies; bird baths; baby baths, portable; plungers for clearing blocked drains; waffle irons, non-electric; diaper disposal pails; coolers [ice pails]; mop wringer buckets; buckets made of woven fabrics; whisks, non-electric, for household purposes; cooking skewers of metal; towel rails and rings; hair for brushes; birdcages; funnels; carpet beaters [hand instruments]; signboards of porcelain or glass; candle extinguishers; flower pots; chamber pots; glue-pots; cruets; decanters; large-toothed combs for the hair; combs for animals; tea cosies; abrasive sponges for scrubbing the skin; sponges for household purposes; toilet sponges; sponge holders; stands for portable baby baths; toothpick holders; soap holders; table napkin holders; holders for flowers and plants [flower arranging]; tea bag rests; shaving brush stands; toilet paper holders; soap dispensers; toilet paper dispensers; plug-in diffusers for mosquito repellents; aromatic oil diffusers, other than reed diffusers, electric and non-electric; ironing boards; cutting boards for the kitchen; bread boards; washing boards; strainers for household purposes; smoke absorbers for household purposes; containers for household or kitchen use; kitchen containers; glass jars

[carboys]; heat-insulated containers; heat-insulated containers for beverages; thermally insulated containers for food; glass flasks [containers]; closures for pot lids; toothpicks; ceramics for household purposes; majolica; works of art of porcelain, ceramic, earthenware, terra-cotta or glass; kitchen grinders, non-electric; cleaning instruments, hand-operated; cabarets [trays]; stew-pans; covers, not of paper, for flower pots; baking mats; polishing leather; glass bulbs [receptacles]; napkin rings; disposable aluminium foil containers for household purposes; coin banks; piggy banks; bread baskets for household purposes; baskets for household purposes; waste paper baskets; feeding troughs; pet feeding bowls, automatic; mangers for animals; lunch boxes; tea caddies; washtubs; earthenware saucepans; mess-tins; cauldrons; coffee percolators, non-electric; coffeepots, non-electric; coffee grinders, hand-operated; beer mugs; tankards; pot lids; aquarium hoods; butter-dish covers; dish covers; cheese-dish covers; reusable silicone food covers; buttonhooks; pitchers; watering cans; insect traps; ice cream scoops; mixing spoons [kitchen utensils]; basting spoons [cooking utensils]; pie servers; spatulas for kitchen use; litter boxes for pets; butter dishes; material for brush-making; polishing materials for making shiny, except preparations, paper and stone; pepper mills, hand-operated; mills for household purposes, hand-operated; feather-dusters; brooms; isothermic bags; bowls [basins]; pet feeding bowls; mosaics of glass, not for building; soap boxes; cooking pot sets; nozzles for watering cans; pouring spouts; wine pourers; cake decorating tips and tubes; nozzles for watering hose; fitted picnic baskets, including dishes; toilet cases; sprinklers; syringes for watering flowers and plants; wool waste for cleaning; cocktail stirrers; pepper pots; polishing gloves; gardening gloves; dripping pans; trays for household purposes; trays of paper, for household purposes; lazy susans; heaters for feeding bottles, non-electric; candelabra [candlesticks]; trivets [table utensils]; coasters, not of paper or textile; grill supports; menu card holders; knife rests for the table; flat-iron stands; egg cups; abrasive pads for kitchen purposes; scouring pads; drinking troughs; serving ladles; pottery; pots; cooking pots; painted glassware; tableware, other than knives, forks and spoons; porcelain ware; earthenware; crystal [glassware]; cosmetic utensils; toilet utensils; trouser presses; cruet sets for oil and vinegar; make-up removing appliances; spice sets; apparatus for wax-polishing, non-electric; bottle openers, electric and non-electric; glove stretchers; boot jacks; crumb trays; tie presses; clothes-pegs; glass stoppers; powder compacts, empty; perfume vaporizers; powder puffs; combs; electric combs; grills [cooking utensils]; sifters [household utensils]; shoe horns; candle drip rings; broom handles; salad bowls; beverage urns, non-electric; sugar bowls; beaters, non-electric; services [dishes]; coffee services [tableware]; liqueur sets; tea services [tableware]; sieves [household utensils];

cinder sifters [household utensils]; tea strainers; siphon bottles for carbonated water; rolling pins, domestic; squeegees [cleaning instruments]; steel wool for cleaning; currycombs; blenders, non-electric, for household purposes; scoops for household purposes; fruit presses, non-electric, for household purposes; drinking straws; salt cellars; drinking vessels; vessels of metal for making ices and iced drinks; refrigerating bottles; cups of paper or plastic; glasses [receptacles]; drinking glasses; statues of porcelain, ceramic, earthenware, terra-cotta or glass; figurines of porcelain, ceramic, earthenware, terra-cotta or glass; glass for vehicle windows [semi-finished product]; plate glass [raw material]; opal glass; glass, unworked or semi-worked, except building glass; opaline glass; glass incorporating fine electrical conductors; glass wool, other than for insulation; vitreous silica fibers, other than for textile use; fiberglass, other than for insulation or textile use; portable cool boxes, non-electric; soup bowls; drying racks for laundry; basins [receptacles]; table plates; disposable table plates; insulating flasks; cloth for washing floors; polishing cloths; cloths for cleaning; dusting cloths [rags]; furniture dusters; aerosol dispensers, not for medical purposes; wax-polishing appliances, non-electric, for shoes; water apparatus for cleaning teeth and gums; electric devices for attracting and killing insects; watering devices; utensils for household purposes; kitchen utensils; cooking utensils, non-electric; coffee filters, non-electric; flasks; hip flasks; drinking bottles for sports; molds [kitchen utensils]; egg poachers; cake moulds; ice cube molds; cookery moulds; deep fryers, non-electric; comb cases; bread bins; fly swatters; teapots; kettles, non-electric; cups; ironing board covers, shaped; tea infusers; mops; mop wringers; cocktail shakers; cosmetic spatulas; corkscrews, electric and non-electric; animal bristles [brushware]; brushes; dishwashing brushes; brushes for cleaning tanks and containers; lamp-glass brushes; horse brushes; scrubbing brushes; toothbrushes; toothbrushes, electric; basting brushes; carpet sweepers; brushes for footwear; tar-brushes, long handled; toilet brushes; electric brushes, except parts of machines; eyebrow brushes; nail brushes; eyelash brushes; decanter tags; nest eggs, artificial; boxes for dispensing paper towels; dustbins; window-boxes; boxes of glass; busts of porcelain, ceramic, earthenware, terra-cotta or glass; clothing stretchers; wine-tasting pipettes; bulb basters; cages for household pets; couscous cooking pots, non-electric.

24 – Frieze [cloth]; banners of textile or plastic; velvet; household linen; diapered linen; bath linen, except clothing; bed linen; table linen, not of paper; cot bumpers [bed linen]; buckram; fustian; sleeping bag liners; felt; bunting of textile or plastic; gauze [cloth]; damask; jersey [fabric]; table runners, not of paper; druggie; shower curtains of textile or plastic; curtains of textile or plastic; net curtains; zephyr [cloth]; canvas for tapestry or embroidery; bolting cloth; baby

buntings; crepe [fabric]; crepon; furniture coverings of textile; fabrics for textile use; filtering materials of textile; wall hangings of textile; non-woven textile fabrics; plastic material [substitute for fabrics]; textile material; tablemats of textile; bivouac sacks being covers for sleeping bags; sleeping bags; sleeping bags for babies; moleskin [fabric]; muslin fabric; pillowcases; bed blankets; blankets for household pets; brocades; diaper changing cloths for babies; handkerchiefs of textile; picnic blankets; travelling rugs [lap robes]; coasters of textile; bed valances; linings [textile]; hat linings, of textile, in the piece; curtain holders of textile material; bed covers; bed covers of paper; furniture coverings of plastic; towels of textile; cloth; hemp cloth; gummed cloth, other than for stationery purposes; printers' blankets of textile; door curtains; sheets [textile]; eiderdowns [down coverlets]; bath mitts; shrouds; glass cloths [towels]; cloths for removing make-up; face towels of textile; place mats of textile; table napkins of textile; mosquito nets; calico; oilcloth for use as tablecloths; tablecloths, not of paper; billiard cloth; taffeta [cloth]; ticks [mattress covers]; tick [linen]; fabric; lingerie fabric; fabric, impervious to gases, for aeronautical balloons; jute fabric; fabric for footwear; ramie fabric; esparto fabric; rayon fabric; fiberglass fabrics for textile use; adhesive fabric for application by heat; linen cloth; upholstery fabrics; hemp fabric; lining fabric for footwear; traced cloth for embroidery; chenille fabric; printed calico cloth; knitted fabric; cotton fabrics; silk fabrics for printing patterns; woollen cloth; elastic woven material; fabric imitating animal skins; haircloth [sackcloth]; cheese cloth; tulle; flags of textile or plastic; flannel [fabric]; trellis [cloth]; covers for cushions; fitted toilet lid covers of fabric; covers [loose] for furniture; pillow shams; cheviots [cloth]; silk [cloth]; labels of textile; marabouts [cloth].

(260) AM 2021 112426 A

(800) 1583460

(151) 2021 01 15

(891) 2021 01 15

(731) ROSIER S.A., société anonyme
Route de Grandmetz 11a, B-7911 Frasnes-lez-Anvaing (Moustier), Belgium

(540)



(591) Green, white and blue

(531) 01.15.23; 26.01.06; 26.11.12; 26.11.14;
26.11.21; 27.05.01; 29.01.12

(511)

1 – Fertilizers and chemical products for use in agriculture, horticulture and forestry; soil fertilizers; nitrogenous chemical products; nitrogenous fertilizers; raw

materials for fertilizers; mineral fertilizers; chemical additives for soil; ammonia; ammonium nitrate; urea [fertilizer]; nitric acid.

(260) AM 2021 112436 A

(800) 1583842

(151) 2020 12 22

(891) 2020 12 22

(731) Yandex LLC

Leo Tolstoy Str., 16, RU-119021 Moscow,
Russian Federation

(540)



(591) White, gradient from blue to purple

(531) 26.01.01; 26.01.03; 26.01.10; 26.01.24;
26.03.01; 26.03.06; 26.03.07; 29.01.12

(511)

9 – Computers, computer peripheral devices, computer terminals; computer hardware; microprocessors; computer memory devices; monitors [computer hardware]; electronic numeric displays; computer keyboards; cables, electric; modems; printers for use with computers; disk drives for computers; electrical adapters; adapter cards; connectors and electronic driver circuits; data storage devices; computer disk drives; miniature hard disk drive storage units; compact discs [audio-video], CD-ROMs, DVDs; blank digital data carriers; magnetic data media; chips, disks and magnetic tapes bearing or for recording computer programs and software; random access memory devices; read only memory devices; solid state storage devices; mouse pads; telephone apparatus; facsimile machines, answering machines; cameras [photography], camcorders; batteries, electric; accumulators, electric; mains chargers; chargers for electric accumulators; digital audio players; notebook computers; tablet computers; hand-held personal computers; electronic personal organisers; digital organizers; handheld digital electronic devices, namely portable audio speakers, portable computers, power banks, digital or analogue recording and storage media, bicycle computers, navigational instruments, digital books, 3D spectacles, and software related thereto; handheld and mobile digital electronic devices for the sending and receiving of telephone calls, faxes, electronic mail, and other digital data; electronic handheld units for the wireless receipt, storage and/or transmission of data and messages, and electronic devices that enable the user to keep track of or manage personal information; elec-

tronic communication equipment and instruments; telecommunications apparatus and instruments; telephone-based information retrieval software and hardware; mobile digital electronic devices, global positioning system (GPS) devices; mobile telephones, video telephones; parts and accessories for mobile telephones included in this class; voice recognition apparatus; digital voice recorders; wireless communication devices for voice, data or image transmission; headphones; audio speakers; sound recording and reproducing apparatus, amplifiers, electric phonographs, record players; high fidelity stereo apparatus, tape recorders and reproducing apparatus, microphones; digital audio and video recorders and players; audio cassette recorders and players, video cassette recorders and players, compact disc recorders and players, digital versatile disc recorders and players, digital audio tape recorders and players; radios; radio transmitters and receivers; audio, video, and digital mixers; apparatus for recording or reproductions of sound for automobiles; computer software, recorded; computer and electronic game software; computer software for creating, authoring, distributing, downloading, transmitting, receiving, playing, editing, extracting, encoding, decoding, displaying, storing and organizing text, graphics, images, audio, video, and multimedia content, and electronic publications; operating system software, data synchronization software, application development software; computer software for personal information management; database management software; database synchronization software; character recognition software; voice recognition software; speech to text conversion software; voice-enabled software applications; software for controlling and managing of communications; electronic mail and messaging software; software for mobile telephones; computer software for accessing, browsing and searching online databases; computer software for the redirection of messages, Internet e-mail, and/or other data to one or more electronic handheld devices from a data store on or associated with a personal computer or a server; computer software for the synchronization of data between a remote station or device and a fixed or remote station or device; downloadable electronic publications; fonts, type designs and symbols recorded on magnetic media; user manuals in electronic format for use with, and sold as a unit with, all the aforementioned goods; computer equipment for use with all of the aforesaid goods; electronic apparatus with multimedia functions for use with all of the aforesaid goods; interactive touch screen terminals for use with all of the aforesaid goods; accessories, parts, fittings, and testing apparatus for all of the aforesaid goods; covers, bags and cases adapted or shaped to contain all of the aforesaid goods.

28 – Computer gaming devices (term considered too vague by the International Bureau – Rule 13 (2) (b) of the Regulations); hand-held game apparatus adapted for use with an external display screen or monitor.

35 – Business management; business administration; business consulting services; providing office functions; advertising agency services; advertising, marketing, marketing and promotional services; advertising and marketing consultancy; sales promotion services; promoting the goods and services of others; sales promotion for others; market intelligence research; analysis of advertising response and market research; development of advertising concepts; creation, preparation, production, and dissemination of advertisements and advertising material for others; advertising planning services; administration of consumer loyalty programs; arranging and conducting of incentive award programs to promote the sale of goods and services of others; computerized database and file management; data processing services; systemization of information, sites and other resources, available on global computer networks and other electronic and communications networks for others; data search in the global computer network and other electronic and communication networks for third parties; compilation of information retrieved from the global computer network and other electronic and communication networks according to user preferences; providing business, consumer, and commercial information over computer networks and global communication networks; compilation of information into computer databases relating to the purchase and sale of a wide variety of products and services of others; compilations of directories for publishing on the Internet and other electronic, computer and communications networks; retail store services and online retail store services; demonstration of goods in stores and via global communication networks and other electronic and communication networks; subscription services, namely, arranging subscriptions to publications in the nature of text, data, image, audio, video, and multimedia content, provided via the Internet and other electronic and communications networks; online retail services for downloadable and pre-recorded text, data, image, audio, video, and multimedia content for a fee or pre-paid subscription, via the Internet and other electronic and communications networks; arranging and conducting of commercial, trade and business shows and exhibitions; information, advisory and consultancy services relating to all the aforesaid.

38 – Providing access to interactive computer databases in the field of social networking, communication and organization of meetings; telecommunications; communication and telecommunication services; communication by computer, computer intercommunication; telex services, telegram transmission services, telephone services; facsimile transmission, collection of electronic messages; transmission of data and of information by electronic means, computer, cable, radio, teleprinter, teleletter, electronic mail, telecopier, television, microwave, laser beam, communications satellite or electronic communication means; providing of wireless telecommunications through electro-

nic telecommunications networks; electronic transmission of data and documentation via the Internet or other electronic telecommunications networks; electronic mailing services; delivery of messages by electronic transmission; wireless digital messaging services, telephone paging services and electronic mailing services, including communication services that enable a user to send and/or receive messages through a wireless data network; rental and hire of communication apparatus and electronic mailboxes; providing online bulletin boards for the transmission of messages among computer users; telecommunication access services; providing telecommunication access to websites; providing telecommunications access and links to computer databases and directories via the Internet and other electronic communications networks; providing access to online searchable databases of text, data, image, audio, video, and multimedia content; providing telecommunication access to electronic communications networks with means of identifying, locating, grouping, distributing, and managing data and links to third-party computer servers, computer processors and computer users; communication services for matching users for the transfer of music, video and audio recordings via communication networks; telecommunications; electronic transmission of audio and video files via computer and other electronic communications networks; audio broadcasting; video broadcasting; broadcasting or transmission of radio and television programs; providing telecommunications access to electronic communication networks, for transmission or reception of audio, video or multimedia content; transmission of digital audio, video and multimedia content by broadcasting or transmission of video content via a global computer network; streaming of audio and video material on the Internet; webcasting services; information, advisory and consultancy services relating to all the aforesaid.

39 – Physical storage of electronically stored data; physical storage of electronically stored data, text, images, audio, and video; information and consultation services in connection with physical storage of electronically stored information and data; transport reservation and travel ticket reservation services.

41 – News reporters services provided via electronic communication means; education and entertainment services; sporting and cultural activities; computer-based educational, teaching, and training services; game services provided online from a computer network; electronic publishing services; publishing of electronic books, magazines, newspapers, journals, periodicals, and other publications; digital imaging services [editing of images]; publication of texts, and production of video, audio, and multimedia online programs; providing information relating to education and entertainment; organizing and conducting performances, sporting events, and cultural events; organizing and conducting exhibitions, displays, exhibits, workshops,

lectures, seminars, training, and conferences; ticket reservation and booking services for entertainment, sporting and cultural events; providing information, advice, news, reviews, and commentary in the fields of entertainment, sporting and cultural events; information, advisory and consultancy services relating to all the aforesaid; arranging and conducting of conferences in the field of commerce, trade and business.

42 – Scientific and technological services and research and development relating thereto; industrial analysis and industrial research services; computer programming; design and development of computer hardware and software; design, development and maintenance of proprietary computer software in the field of natural language, speech, speaker, language, voice recognition, and voice-print recognition; rental of computer hardware and software; consultancy in the design and development of computer hardware; computer software consultancy; support and consultation services for developing computer systems, databases and applications; providing on-line information about computer hardware design and software; creation, design and maintenance of web site; hosting web sites; application service provider (ASP), namely, hosting software applications of others; application service provider (ASP) services, namely, hosting software for creating, authoring, distributing, downloading, transmitting, receiving, playing, editing, extracting, encoding, decoding, displaying, storing and organizing text, graphics, images, audio, video, and multimedia content, and electronic publications; application service provider (ASP) services containing software for use in connection with voice recognition software and voice-enabled software applications; providing online non-downloadable software; providing search engines for obtaining data on a global computer network and via other electronic communications networks; creating indexes of online information, sites and other resources available on global computer networks for others; hosting an on-line web site for social networking; information, advisory and consultancy services relating to all the aforesaid.

45 – Online social networking services.

(260) AM 2021 112439 A
(800) 1583947
(151) 2021 01 29
(891) 2021 01 29
(731) Alcon Inc.
Rue Louis-d'Affry 6, CH-1701 Fribourg,
Switzerland
(540)

SEKTOR

(591) Black, white
(511)

10 – Surgical apparatus and instruments for ophthalmic surgery.

(260) AM 2021 112444 A
 (800) 1584279
 (151) 2021 01 12
 (891) 2021 01 12
 (731) Otis Elevator Company
 One Carrier Place; Farmington CT 06032,
 USA

(540)

HYLIGHT 

(591) Black, white
 (531) 24.15.01; 27.05.09
 (511)

11 – Air cleaning and disinfecting appliances using ultraviolet light; ultraviolet lamps for cleaning, disinfecting and sanitisation purposes; air purifying ultraviolet lamps; air sterilising lighting installations; ultraviolet light sanitisation devices; ultraviolet light devices used to sanitize and disinfect the environment; germicidal lamps; germicidal lamps for purifying the air.

(260) AM 2021 112446 A
 (800) 1584342
 (151) 2021 02 12
 (891) 2021 02 12
 (731) Verizon Trademark Services LLC
 1300 I Street NW, Suite 500 East, Washington
 DC 20005, USA

(540)

BLUEJEANS

(591) Black, white
 (511)

9 – Downloadable telecommunications software for providing video and audio communication, collaboration, document sharing, teleconferencing, streaming of events and content, webinars, and video, audio and web conferencing.

38 – Telecommunications services in the nature of teleconferencing, audio conferencing, web conferencing, video collaboration services, video conferencing, webinars and streaming services.

42 – Non-downloadable telecommunications software for providing video and audio communication, collaboration, document sharing, teleconferencing, streaming of events and content, webinars, and video, audio and web conferencing; Software as a service (SAAS) services featuring telecommunications software for video, audio and web conferencing; Cloud computing featuring software for use in teleconferencing and video, audio and web conferencing.

(260) AM 2021 112455 A
 (800) 1071298
 (151) 2011 03 03
 (891) 2021 03 16
 (731) Association des Opérateurs postaux publics européens AISBL, en abrégé POSTEUROP
 Boulevard Brand Whitlock 114, B-1200
 Bruxelles, Belgium

(540)



(591) Black, white
 (531) 26.04.04; 26.04.07; 26.04.24; 27.05.01
 (511)

16 – Printed matter, including books, reviews, pamphlets, prospectuses and other publications; handbooks in connection with computer programs; stationery; writing instruments; trays for letters; wrapping paper; packaging material (paper, cardboard); plastic packaging in the form of envelopes, small bags, film; postage stamps; all the aforementioned goods from Europe.

18 – Leather and goods made thereof, included in this class; jute bags (shopping bags); luggage (included in this class) such as traveling bags, trunks and suitcases, rucksacks; umbrellas; all the aforementioned goods from Europe.

35 – Advertising and sales promotion, rental of advertising space, especially on a website; rental of stands for sales purposes; rental of vending machines; marketing, marketing studies; retail sale via electronic means (also via global computer networks); management of customer address files; document reproduction; compilation and systemization of data into computer databases, namely electronic processing of commercial and financial processes; advice relating to all the aforementioned services; all the aforementioned services also via electronic means; advice on data processing.

39 – Delivery, warehousing, packing, transport and distribution of goods, transfer of letters, correspondence as well as other movable items such as documents, securities, freight and other goods; transport of travelers and movables such as documents, securities, freight and other goods, by motor vehicle, rail, boat or plane; packing, forwarding and distribution of postal items such as documents, securities, freight and other goods; intermediary services in the context of transport services; messaging services; advice on all the aforementioned services; all the aforementioned services excluding those in connection with tourism and cruises.

40 – Printing work.

(260) AM 2021 112456 A
 (800) 1071611
 (151) 2011 02 09
 (891) 2021 03 15
 (731) Mystery Ranch, Ltd.
 1750 Evergreen Drive, Bozeman,
 Montana 59715, USA

(540)
MYSTERY RANCH

(591) Black, white
 (511)
 18 – Backpacks, daypacks, duffel bags, luggage, briefcases and book bags.
 25 – Jackets, sweaters and pants; caps and shirts.

(260) AM 2021 112457 A
 (800) 1101674
 (151) 2011 11 21
 (891) 2021 02 05
 (731) Provexis Nutrition Limited
 Prospect House, 58 Queens Road, Reading,
 Berkshire RG1 4RP, United Kingdom



(591) Black, white
 (531) 24.15.01; 24.15.13; 27.05.19
 (511)
 5 – Nutritional supplements and additives for dietary and medical purposes; dietetic foods; beverages and substances, including those adapted for medical use; vitamin preparations.
 32 – Non-alcoholic drinks; syrups, extracts and essences for making non-alcoholic beverages; fruit drinks, fruit juices, fruit nectars, vegetable juices, dairy drinks, sport drinks, aerated water.

(260) AM 2021 112458 A
 (800) 1126659
 (151) 2012 07 11
 (891) 2021 03 11
 (731) HORMETA S.A.
 Route de Gilly 15, CH-1182 Gilly, Switzerland

(540)
HORMETA

(591) Black, white
 (511)
 3 – Cosmetics, namely preparations in the form of lotions, milks, creams, gels and serums; soaps, perfumery, essential oils, hair lotions, dentifrices.

5 – Pharmaceutical and parapharmaceutical products for use in dermatology, namely preparations in the form of lotions, milks, creams, gels and serums.

35 – Retail sale of cosmetic products and body and skin care products, as well as of parapharmaceutical products, by means of stores and small specialist stores; retail sale of cosmetics and body and skin care products, as well as of pharmaceutical and parapharmaceutical products, by means of pharmacies; retail sale of cosmetics and body and skin care products, as well as of parapharmaceutical products, by means of sales outlets in beauty salons and institutions; retail sale, by means of global computer networks (the Internet), of cosmetics and body and skin care products, as well as of parapharmaceutical products.

44 – Consultation on beauty care, beauty salons.

(260) AM 2021 112460 A
 (800) 1236752
 (151) 2014 12 05
 (891) 2021 03 11
 (731) HORMETA S.A.
 Route de Gilly 15, CH-1182 Gilly, Switzerland



(591) Black, white
 (531) 05.05.20; 27.05.21
 (511)
 3 – Cosmetic products, particularly preparations in the form of lotions, milks, creams, gels and serums; soaps, perfumery, essential oils, hair lotions, dentifrices.

5 – Pharmaceutical and parapharmaceutical products for use in dermatology, particularly preparations in the form of lotions, milks, creams, gels and serums.

35 – Retail sale of cosmetic products and body and skin care products, as well as of parapharmaceutical products by means of stores and small specialist stores; retail sale of cosmetic products and body and skin care products, as well as of pharmaceutical and parapharmaceutical products, by means of drugstores; retail sale of cosmetic products and body and skin care products, as well as of parapharmaceutical products, by means of sales outlets at beauty salons and institutes; retail sale, by means of global computer networks (the Internet), of cosmetic products and body and skin care products, as well as of parapharmaceutical products.

44 – Consultancy relating to beauty care, beauty salons.

(260) AM 2021 112461 A
 (800) 1270265
 (151) 2015 08 14
 (891) 2021 02 12
 (731) Warsteiner Brauerei Haus Cramer KG
 Domring, 59581 Warstein, Germany
 (540)



(591) Black, white
 (531) 05.11.15; 14.07.01; 24.01.13; 24.01.18;
 24.09.02; 27.05.02; 27.05.19

(511)
 32 – Beers; mineral and aerated waters and other non-alcoholic drinks; fruit drinks and fruit juices; syrups and other preparations for making beverages; mixed drinks containing beer; malt beer; malt soft drinks.

(260) AM 2021 112462 A
 (800) 1321267
 (151) 2016 04 18
 (891) 2021 03 04
 (731) Yandex Services AG
 Werftstrasse 4, CH-6005 Lucerne, Switzerland
 (540)

Toloka

(591) Black, white
 (531) 27.05.01
 (511)

35 – Advertising; business management; business administration; office functions; computerized file management, including management of files containing information in the filed of employment opportunities; systemization of information into computer databases, including information in the filed of employment opportunities; professional business consultancy; business information; promoting the goods and services of others; publication of publicity texts; on-line advertising on a computer network; business investigations; marketing research; outsourcing services [business assistance]; business management for freelance service providers; word processing.

36 – Electronic funds transfer; monetary transfer services, including providing of security financial transactions and payments via Internet and other computer and communication networks.

38 – Telecommunications; providing multiple-user access to computer networks for electronic transmission of information, documents, video and audio files, data and images; providing online forums and virtual communities for transmission of messages and information among computer users.

41 – Translation.

42 – Scientific and technological services and research and design relating thereto; industrial analysis and research services; design and development of computer hardware and software; information technology [IT] consulting services; providing search engines for the internet; computer software consultancy; updating of computer software; maintenance of computer software; computer programming; data conversion of computer programs and data [not physical conversion]; providing search engines for obtaining data via communications networks; application service provider (ASP) services in the filed of computer software; software as a service [SaaS], namely hosting of computer software and contents for others.

(260) AM 2021 112464 A
 (800) 1341840
 (151) 2017 03 10
 (891) 2021 03 11
 (731) Peter Lehmann Wines Pty Limited
 Off Para Rd, TANUNDA SA 5352, Australia
 (540)



(591) Black, white
 (531) 02.01.01
 (511)
 33 – Wine.

(260) AM 2021 112466 A
 (800) 1500412
 (151) 2019 10 08
 (891) 2021 02 25
 (731) DAIICHI SANKYO COMPANY, LIMITED
 3-5-1, Nihonbashi Honcho, Chuo-ku,
 Tokyo 103-8426, Japan
 (540)



(591) Light purple, dark purple, light orange, dark orange

(531) 24.15.21; 26.01.01; 26.01.03; 26.01.10; 26.03.04; 26.03.05; 26.03.07; 29.01.12

(511)

5 – Pharmaceutical preparations and substances; medicines for human purposes.

(260) AM 2021 112514 A

(800) 1584633

(151) 2020 10 20

(891) 2020 10 20

(731) Closed Joint Stock Company "Starodvorskie kolbasy"

ul. Poliny Osipenko, d. 41, of. 210, RU-600009
g. Vladimir, Russian Federation

(540)



(591) Burgundy

(531) 01.03.01; 28.05; 29.01.11

(511)

29 – Meat, fish, poultry and game; meat extracts; preserved, dried and cooked fruits and vegetables; eggs; milk and milk products; ajvar [preserved peppers]; aloe vera prepared for human consumption; alginates for culinary purposes; anchovy, not live; peanuts, processed; artichokes, preserved; albumen for culinary purposes; white of eggs; prepared entrées consisting primarily of seafood; prepared meals consisting primarily of meat, fish, poultry or vegetables; frozen meals consisting primarily of meat, fish, poultry or vegetables; vegetable-based entrées; packaged meals consisting primarily of seafood; packaged meals consisting primarily of meat, fish, poultry or vegetables; beans, preserved; soya beans, preserved, for food; broth; ginger jam; ham; toasted laver; beef; dried beef; beef slices; prepared beef; beef stew; edible birds' nests; peas, preserved; mushrooms, preserved; gelatine; meat jellies; jellies for food; fruit jellies; yolk of eggs; curd; fruit-based snack food; frozen appetizers consisting primarily of chicken; frozen appetizers consisting primarily of seafood; potato-based snack foods; aspic; meat substitutes; poultry substitutes; vegetable-based meat substitutes; sour cream substitutes; cheese substitutes; shepherd's pie; brawn; charcuterie; fish sausages; raisins; caviar; eggplant paste; vegetable marrow paste; fish roe, prepared; turkey; yogurt; sauerkraut; kefir [milk beverage]; isinglass for food; clams [not live]; milk shakes; smoked sausage; black pudding; compotes; meat, canned; vegetables, canned; fish, canned; fruits, canned; broth concentrates; gherkins; shrimps, not live; prawns, not live; buttercream; croquettes; silkworm chrysalis, for human consumption;

kumys [milk beverage]; spiny lobsters, not live; lecithin for culinary purposes; salmon, not live; onions, preserved; marmalade; mussels, not live; almonds, ground; animal marrow for food; mollusks, not live; peanut milk for culinary purposes; almond milk for culinary purposes; rice milk being milk substitute; protein milk; condensed milk; soya milk [milk substitute]; fish meal for human consumption; vegetable mousses; fish mousses; fruit pulp; fried meat; snack foods made from meat; frozen meat; meat, preserved; processed meat; sliced meat; prepared meat; cooked meat, canned; ground meat; dried meat; pieces of chicken meat dipped in batter and fried; milk beverages, milk predominating; pre-packaged dinners consisting primarily of game; pre-packaged dinners consisting primarily of seafood; pre-packaged dinners consisting primarily of meat; pre-packaged dinners consisting primarily of poultry; pre-packaged dinners consisting primarily of fish; potato fritters; olives, preserved; lobsters, not live; coconut, desiccated; nuts, prepared; tomato paste; liver pâté; pectin for culinary purposes; liver; pickles; jams; powdered eggs; foods prepared from fish; prostokvasha [soured milk]; poultry, not live; pollen prepared as foodstuff; cranberry compote; tomato purée; apple purée; crayfish, not live; crustaceans, not live; fish, preserved; fish, not live; salted fish; ryazhenka [fermented baked milk]; vegetable salads; fruit salads; bacon; sardines, not live; pork; pork, canned; canned pork and beans; herrings, not live; seeds, prepared; processed sunflower seeds; cream [dairy products]; whipped cream; smetana [sour cream]; tomato juice for cooking; vegetable juices for cooking; salted meats; sausages; sausages in batter; preparations for making bouillon; preparations for making soup; tripe; soups; vegetable soup preparations; whey; uncooked smoked sausages; cheese; tahini [sesame seed paste]; tofu; sea-cucumbers, not live; truffles, preserved; tuna, not live; oysters, not live; milk ferments for culinary purposes; rennet; fish fillets; dates; meatballs; frosted fruits; frozen fruits; fruit preserved in alcohol; potato flakes; hummus [chickpea paste]; fruit peel; preserved garlic; lentils, preserved; potato chips; low-fat potato chips; fruit chips; bacon rinds; pork rinds; non-alcoholic eggnog; seaweed extracts for food; snail eggs for consumption.

30 – Flour and preparations made from cereals; bakery products; honey; molasses syrup for food; yeast; baking powder; cereal bars; high-protein cereal bars; pancakes; packaged meals consisting primarily of pasta or rice; pasta-based prepared meals; prepared meals consisting primarily of pasta or rice; frozen meals consisting primarily of pasta or rice; noodle-based prepared meals; rice-based prepared meals; entrées consisting primarily of pasta or rice; buns; bread rolls; vareniki [stuffed dumplings]; vermicelli; sausage binding materials; sea water for cooking; malt biscuits; glucose for culinary purposes; gluten additives for culinary purposes; leaven; rice-based snack food; cereal-

based snack food; pasta; pasta shells; pasta for soups; fresh pasta; pasties; cream of tartar for culinary purposes; quiches; gluten prepared as foodstuff; starch for food; crackers; potpies; farinaceous foods; noodles; rice cakes; macaroni; maltose; hominy; royal jelly; bean meal; tapioca flour; potato flour; corn meal; nut flours; soya flour; barley meal; muesli; infusions, not medicinal; pâtés en croûte; pelmeni [dumplings stuffed with meat]; pies; meat pies; poultry and game meat pies; pizzas; popcorn; bee glue; ravioli; wheat germ for human consumption; linseed for culinary purposes [seasoning]; golden syrup; baking soda [bicarbonate of soda for cooking purposes]; malt for human consumption; ham glaze; spaghetti; preparations for stiffening whipped cream; rusks; breadcrumbs; sushi; sandwiches; tabbouleh; tacos; tarts; ferments for pastes; bread; unleavened bread; chips [cereal products]; corn flakes; oat flakes; chebureki [deep-fried pies]; cheeseburgers [sandwiches]; malt extract for food; piccalilli.

43 – Providing temporary accommodation; accommodation bureau services [hotels, boarding houses]; rental of temporary accommodation; rental of meeting rooms; tourist home services; hotel reservations; boarding house bookings; temporary accommodation reservations; hotel services; retirement home services; motel services; boarding house services; boarding for animals; rental of lighting apparatus; rental of tents; rental of transportable buildings; holiday camp services [lodging]; providing campground facilities; day-nursery [crèche] services.

(260) AM 2021 112515 A

(800) 1584659

(151) 2020 12 14

(891) 2020 12 14

(731) ZELENSKYI VOLODYMYR

OLEKSANDROVYCH

PROSP HEROIV STALINHRADA. 6 B.,

KORP 1. KV. 31, M KYIV 04210, Ukraine

(540)

Слуга народа

(591) Black, white

(531) 28.05

(511)

28 – Games and toys; gymnastic and sports articles; ornaments for Christmas trees; arcade video game machines; video game machines; climbers' harness; tennis ball throwing apparatus; swimming pools [play articles]; trampolines; billiard cues; billiard markers; billiard tables; coin-operated billiard tables; body boards; boxing gloves; rattles [playthings]; building blocks [toys]; twirling batons; teddy bears; stationary exercise bicycles; creels [fishing traps]; bite sensors [fishing tackle]; golf bag carts; shuttlecocks; fishing lines; rods for fishing; dumb-bells; harpoon guns

[sports articles]; gyroscopes and flight stabilizers for model aircraft; golf clubs; bar-bells; swings; jigsaw puzzles; parlour games; hang gliders; bells for Christmas trees; spinning tops [toys]; joysticks for video games; discs for sports; dominoes; swimming kickboards; surfboards; sailboards; spring boards [sports articles]; chessboards; checkerboards; drones [toys]; darts; electronic targets; exercisers [expanders]; poles for pole vaulting; gut for fishing; ascenders [mountaineering equipment]; novelty toys for parties; ski bindings; scent lures for hunting or fishing; protective films adapted for screens for portable games; protective paddings [parts of sports suits]; kites; divot repair tools [golf accessories]; toys for pets; novelty toys for playing jokes; stuffed toys; toy vehicles; toy models; toy pistols; toy figures; ring games; gaming machines for gambling; amusement machines, automatic and coin-operated; playing cards; playing balls; play balloons; kaleidoscopes; bladders of balls for games; rosin used by athletes; paper party hats; carnival masks; bingo cards; skittles; skittles [games]; mah-jong; quoits; ice skates; rocking horses; building games; controllers for game consoles; confetti; dice; chalk for billiard cues; counters [discs] for games; marbles for games; swimming jackets; flippers for swimming; flying discs [toys]; skis; waterskis; surf skis; edges of skis; bows for archery; dolls; dolls' clothes; dolls' rooms; dolls' beds; dolls' houses; plush toys; balls for games; puppets; masks [playthings]; camouflage screens [sports articles]; matryoshka dolls; ball pitching machines; soap bubbles [toys]; hunting game calls; targets; clay pigeons [targets]; scale model vehicles; scale model kits [toys]; reels for fishing; kite reels; water wings; billiard table cushions; knee guards [sports articles]; billiard cue tips; elbow guards [sports articles]; board games; in-line roller skates; paddleboards; golf gloves; paragliders; swimming belts; pachinkos; punching bags; horseshoe games; sole coverings for skis; landing nets for anglers; Christmas tree stands; piñatas; caps for pistols [toys]; dolls' feeding bottles; toy air pistols; surfboard leashes; bite indicators [fishing tackle]; floats for fishing; portable games with liquid crystal displays; weight lifting belts [sports articles]; harness for sailboards; archery implements; decoys for hunting or fishing; artificial fishing bait; apparatus for games; controllers for toys; remote-controlled toy vehicles; rackets; fishing tackle; fish hooks; sling shots [sports articles]; rollers for stationary exercise bicycles; skateboards; roller skates; gloves for games; baseball gloves; roulette wheels; toy mobiles; scooters [toys]; sleds [sports articles]; bob-sleighs; candle holders for Christmas trees; butterfly nets; nets for sports; scratch cards for playing lottery games; slot machines [gaming machines]; artificial snow for Christmas trees; snow globes; snowshoes; snowboards; starting blocks for sports; clay pigeon traps; tables for table tennis; foosball tables; strings for rackets; gut for rackets; men's athletic supporters [sports articles]; theatrical masks;

tennis nets; slides [playthings]; golf bags, with or without wheels; cricket bags; machines for physical exercises; body-building apparatus; backgammon games; batting gloves [accessories for games]; appliances for gymnastics; bowling apparatus and machinery; conjuring apparatus; fairground ride apparatus; paintball guns [sports apparatus]; paintballs [ammunition for paintball guns] [sports apparatus]; fencing weapons; fencing masks; fencing gauntlets; chips for gambling; party poppers [party novelties]; hockey sticks; cups for dice; skating boots with skates attached; bags especially designed for skis and sailboards; chess games; checkers [games]; seal skins [coverings for skis]; shin guards [sports articles]; masts for sailboards; Christmas trees of synthetic material.

35 – Advertising; business management; administration of business; office functions; administration of consumer loyalty programs; administration of frequent flyer programs; administrative processing of purchase orders; cost price analysis; business auditing; auctioneering; outsourced administrative management for companies; book-keeping; market studies; opinion polling; web indexing for commercial or advertising purposes; invoicing; arranging newspaper subscriptions for others; arranging subscriptions to telecommunication services for others; payroll preparation; tax preparation; demonstration of goods; business inquiries; business management assistance; commercial or industrial management assistance; advisory services for business management; business research; economic forecasting; providing business information via a web site; compilation of information into computer databases; compilation of statistics; commercial information agency services; appointment scheduling services [office functions]; appointment reminder services [office functions]; import-export agency services; business information; business management of performing artists; business management for freelance service providers; business management of hotels; business management of sports people; business management of reimbursement programs for others; commercial information and advice for consumers in the choice of products and services; commercial administration of the licensing of the goods and services of others; computerized file management; personnel management consultancy; business management consultancy; business organization consultancy; marketing; marketing research; typing; provision of an online marketplace for buyers and sellers of goods and services; rental of advertising time on communication media; scriptwriting for advertising purposes; writing of curriculum vitae for others; writing of publicity texts; word processing; updating of advertising material; updating and maintenance of data in computer databases; web site traffic optimization / web site traffic optimisation; organization of exhibitions for commercial or advertising purposes; organization of fashion shows for promotional purposes; organization of trade fairs for commercial or advertising purposes; rental of

advertising space; shop window dressing; business appraisals; personnel recruitment; business management and organization consultancy; employment agency services; business efficiency expert services; outsourcing services [business assistance]; business project management services for construction projects; commercial intermediation services; layout services for advertising purposes; news clipping services; price comparison services; procurement services for others [purchasing goods and services for other businesses]; administrative services for the relocation of businesses; photocopying services; tax filing services; modelling for advertising or sales promotion; secretarial services; public relations; retail services for pharmaceutical, veterinary and sanitary preparations and medical supplies; data search in computer files for others; sponsorship search; search engine optimization for sales promotion; presentation of goods on communication media, for retail purposes; telephone answering for unavailable subscribers; rental of billboards [advertising boards]; office machines and equipment rental; publicity material rental; rental of vending machines; rental of sales stands; rental of photocopying machines; direct mail advertising; psychological testing for the selection of personnel; publication of publicity texts; radio advertising; advertising agency services; pay per click advertising; outdoor advertising; advertising by mail order; online advertising on a computer network; document reproduction; the bringing together, for the benefit of others, of a variety of goods (excluding the transport thereof), enabling customers to conveniently view and purchase those goods in retail stores, wholesale outlets, through vending machines, mail order catalogues or by means of electronic media, including through web sites or television shopping programmes; distribution of samples; dissemination of advertising matter; development of advertising concepts; business investigations; systemization of information into computer databases; drawing up of statements of accounts; sales promotion for others; production of advertising films; shorthand; transcription of communications [office functions]; television advertising; telemarketing services; negotiation and conclusion of commercial transactions for third parties; professional business consultancy.

38 – Telecommunications services; telex services; providing access to databases; providing user access to global computer networks; providing internet chatrooms; providing online forums; providing telecommunications connections to a global computer network; providing telecommunication channels for tele-shopping services; communications by fiber optic networks; communications by computer terminals; communications by cellular phones; news agency services; providing information in the field of telecommunications; paging services [radio, telephone or other means of electronic communication]; transmission of greeting cards online; computer aided transmission of messages and images; transmission of telegrams;

transmission of digital files; transmission of electronic mail; video-on-demand transmission; message sending; videoconferencing services; voice mail services; electronic bulletin board services [telecommunications services]; telecommunications routing and junction services; teleconferencing services; streaming of data; rental of message sending apparatus; rental of modems; rental of telecommunication equipment; rental of telephones; rental of facsimile apparatus; rental of access time to global computer networks; radio communications; radio broadcasting; satellite transmission; television broadcasting; cable television broadcasting; communications by telegrams; telegraph services; communications by telephone; telephone services; wireless broadcasting; facsimile transmission.

41 – Education; providing of training; entertainment services; arranging and conducting of sporting and cultural events; academies [education]; teaching; videotaping; arranging and conducting of congresses; arranging and conducting of colloquiums; arranging and conducting of conferences; arranging and conducting of concerts; arranging and conducting of workshops [training]; arranging and conducting of seminars; arranging and conducting of symposiums; arranging and conducting of in-person educational forums; arranging of beauty contests; gymnastic instruction; electronic desktop publishing; nursery schools; animal training; dubbing; educational examination; providing online videos, not downloadable; providing online electronic publications, not downloadable; providing online music, not downloadable; providing sports facilities; providing recreation facilities; providing golf facilities; providing casino facilities [gambling]; booking of seats for shows; correspondence courses; game services provided online from a computer network; providing information relating to recreational activities; providing information in the field of education; providing information in the field of entertainment; cinema presentations; movie studio services; microfilming; videotape editing; tutoring; providing museum facilities [presentation, exhibitions]; boarding school education; writing of texts; songwriting; screenplay writing; organization of balls; organization of shows [impresario services]; organization of exhibitions for cultural or educational purposes; organization of competitions [education or entertainment]; organization of lotteries; organization of fashion shows for entertainment purposes; organization of sports competitions; amusement park services; sign language interpretation; party planning [entertainment]; lending library services; entertainer services; disc jockey services; discotheque services; calligraphy services; karaoke services; layout services, other than for advertising purposes; language interpreter services; providing amusement arcade services; zoological garden services; coaching [training]; club services [entertainment or education]; health club services [health and fitness training]; modelling for artists; nightclub services [entertainment]; orchestra services; translation;

mobile library services; personal trainer services [fitness training]; news reporters services; sport camp services; recording studio services; scriptwriting, other than for advertising purposes; holiday camp services [entertainment]; ticket agency services [entertainment]; photographic reporting; educational services provided by schools; gambling services; music composition services; practical training [demonstration]; presentation of variety shows; presentation of live performances; conducting guided tours; conducting fitness classes; rental of audio equipment; rental of show scenery; rental of video cameras; rental of video cassette recorders; rental of videotapes; rental of sound recordings; toy rental; games equipment rental; rental of cinematographic apparatus; rental of motion pictures; rental of skin diving equipment; rental of lighting apparatus for theatrical sets or television studios; rental of radio and television sets; rental of sports grounds; rental of sports equipment, except vehicles; rental of stage scenery; rental of tennis courts; rental of stadium facilities; vocational retraining; vocational guidance [education or training advice]; online publication of electronic books and journals; publication of books; publication of texts, other than publicity texts; radio entertainment; religious education; production of shows; production of music; production of radio and television programmes; film production, other than advertising films; subtitling; theatre productions; television entertainment; physical education; photography; timing of sports events; presentation of circus performances.

(260) AM 2021 112517 A

(800) 1584691

(151) 2020 10 20

(891) 2020 10 20

(731) Zakrytoe aktsionernoe obshchestvo
"Starodvorskie kolbasy"

ul. Poliny Osipenko, d. 41, of. 210, RU-600009
Vladimir, Russian Federation

(540)



(591) Burgundy, white and gray

(531) 28.05; 29.01.13

(526) Symbol "R".

(511)

29 – Albumen for culinary purposes; seaweed extracts for food; gelatine; edible fats; anchovy, not live; peanut butter; butter; cocoa butter for food; coconut butter; buttercream; white of eggs; black pudding; broth; preparations for making bouillon; caviar; fruit, preserved; charcuterie; potato chips; sauerkraut; coconut, desiccated; rape oil for food; broth concentrates; jams; frozen fruits; soups; raisins; gherkins; vegetables, pre-

served; vegetables, cooked; vegetables, dried; edible oils; cream [dairy products]; cheese; frosted fruits; croquettes; crustaceans, not live; dates; milk; crayfish, not live; fish fillets; rennet; fruit, stewed; fruit jellies; fruit pulp; meat; fish, not live; jellies for food; meat jellies; game, not live; ginger jam; soya beans, preserved, for food; fatty substances for the manufacture of edible fats; fat-containing mixtures for bread slices; herrings, not live; lobsters, not live; corn oil; palm kernel oil for food; sesame oil; oysters, not live; isinglass for food; ham; yolk of eggs; yogurt; vegetable soup preparations; vegetable juices for cooking; meat extracts; kefir [milk beverage]; kumys [milk beverage]; milk beverages, milk predominating; whey; milk products; spiny lobsters, not live; bacon; lentils, preserved; margarine; marmalade; animal marrow for food; mussels, not live; mollusks, not live; palm oil for food; nuts, prepared; eggs; powdered eggs; liver pâté; onions, preserved; olives, preserved; olive oil for food; bone oil for food; pectin for culinary purposes; pickles; peas, preserved; sausages; sardelki [sausages]; salted meats; preparations for making soup; tomato purée; vegetable salads; lard; fruit salads; sardines, not live; salmon, not live; suet for food; tuna, not live; tomato juice for cooking; sunflower oil for food; tripe; truffles, preserved; poultry, not live; pieces of chicken in batter; fruit peel; alginates for culinary purposes; almonds, ground; peanuts, processed; mushrooms, preserved; coconut fat; coconut oil for food; beans, preserved; liver; fish-based foodstuffs; fruit chips; clams, not live; fruit preserved in alcohol; pollen prepared as foodstuff; prawns, not live; fish, preserved; meat, preserved; shrimps, not live; snail eggs for consumption; tofu; whipped cream; pork; edible birds' nests; fish, canned; fish meal for human consumption; fruits, canned; meat, canned; potato fritters; salted fish; sea-cucumbers, not live; silkworm chrysalis for human consumption; vegetables, canned; sausages in batter; potato flakes; apple purée; cranberry compote; tahini [sesame seed paste]; hummus [chickpea paste]; toasted laver; fruit-based snack food; curd; kimchi [fermented vegetable dish]; soya milk; milk shakes; ajvar [preserved peppers]; processed sunflower seeds; fish mousses; non-alcoholic eggnog; vegetable mousses; fish roe, prepared; seeds, prepared; aloe vera prepared for human consumption; preserved garlic; protein milk; linseed oil for food; low-fat potato chips; lecithin for culinary purposes; milk ferments for culinary purposes; compotes; condensed milk; smetana [sour cream]; ryazhenka [fermented baked milk]; prostokvasha [soured milk]; tomato paste; vegetable marrow paste; eggplant paste; peanut milk for culinary purposes; almond milk for culinary purposes; rice milk; artichokes, preserved; arrangements of processed fruit; powdered milk; yakitori; bulgogi; candied nuts; flavored nuts; hazelnuts, prepared; berries, preserved; guacamole [mashed avocado]; onion rings; falafel; lemon juice for culinary purposes; freeze-dried meat; oat milk; vegetable-ba-

sed cream; freeze-dried vegetables; extra virgin olive oil for food; galbi [grilled meat dish]; escamoles [edible ant larvae, prepared]; edible insects, not live; sweet corn, processed; nut-based spreads; potato-based dumplings; hot dog sausages; corn dogs; soya bean oil for food; milk substitutes; almond milk; peanut milk; coconut milk; coconut milk for culinary purposes; coconut milk-based beverages; rice milk for culinary purposes; almond milk-based beverages; peanut milk-based beverages; sausage casings, natural or artificial; shpikachki [sausages]; chicken nuggets; klipfish [salted and dried cod]; cottage cheese fritters; pressed fruit paste; yuba [tofu skin]; soya patties; tofu patties.

30 – Seaweed [condiment]; pasta; almond paste; aniseed; star aniseed; confectionery for decorating Christmas trees; infusions, not medicinal; coffee flavorings; aromatic preparations for food; seasonings; unleavened bread; salt for preserving foodstuffs; rusks; cookies; malt biscuits; peppermint sweets; sweets; waffles; buns; cocoa; coffee; unroasted coffee; vegetal preparations for use as coffee substitutes; cakes; cinnamon [spice]; capers; caramels [sweets]; curry [spice]; cereal preparations; chewing gum; chicory [coffee substitute]; tea; chocolate; marzipan; cloves [spice]; condiments; confectionery; corn flakes; popcorn; preparations for stiffening whipped cream; ice cream; pancakes; essences for foodstuffs, except etheric essences and essential oils; cooking salt; thickening agents for cooking foodstuffs; turmeric; natural sweeteners; spices; gingerbread; allspice; flour; bean meal; corn meal; mustard meal; barley meal; soya flour; wheat flour; starch for food; ferments for pastes; fondants [confectionery]; petits fours [cakes]; sugar; flavorings, other than essential oils, for cakes; cake powder; cake dough; ginger [spice]; binding agents for ice cream; ice, natural or artificial; ice for refreshment; glucose for culinary purposes; gluten prepared as foodstuff; groats for human food; vinegar; ketchup [sauce]; cocoa beverages with milk; coffee beverages with milk; chocolate beverages with milk; leaven; yeast; sausage binding materials; macarons; macaroni; corn, milled; corn, roasted; bread; maltose; molasses for food; golden syrup; mint for confectionery; honey; husked barley; mustard; nutmegs; noodles; pies; crushed barley; sandwiches; pastilles [confectionery]; pastries; petit-beurre biscuits; bread rolls; peppers [seasonings]; pizzas; pepper; potato flour; puddings; pralines; ravioli; liquorice [confectionery]; rice; saffron [seasoning]; sago; sauces [condiments]; celery salt; semolina; sherbets [ices]; spaghetti; tapioca; tapioca flour; tarts; vanilla flavorings for culinary purposes; vanillin [vanilla substitute]; vermicelli; meat pies; pâtés en croûte; meat tenderizers for household purposes; edible ices; powders for making ice cream; almond confectionery; peanut confectionery; food flavorings, other than essential oils; flavorings, other than essential oils, for beverages; crushed oats; husked oats; oat-based food; oat flakes; oatmeal; stick liquorice [confectionery]; beer vinegar; coffee-based

beverages; cocoa-based beverages; chocolate-based beverages; artificial coffee; lollipops [confectionery]; chips [cereal products]; chow-chow [condiment]; couscous; malt extract for food; malt for human consumption; bee glue; relish [condiment]; royal jelly; sea water for cooking; sushi; tomato sauce; mayonnaise; crackers; custard; fruit jellies [confectionery]; muesli; rice cakes; soya sauce; frozen yogurt [confectionery ices]; chutneys [condiments]; spring rolls; tacos; tortillas; iced tea; tea-based beverages; dressings for salad; breadcrumbs; tabbouleh; halvah; quiches; meat gravies; miso [seasoning]; cereal-based snack food; rice-based snack food; hominy; hominy grits; baking powder; baking soda [bicarbonate of soda for cooking purposes]; garden herbs, preserved [seasonings]; noodle-based prepared meals; cake frosting [icing]; chocolate mousses; dessert mousses [confectionery]; fruit coulis [sauces]; marinades; cheeseburgers [sandwiches]; pesto [sauce]; ham glaze; linseed for culinary purposes [seasoning]; wheat germ for human consumption; high-protein cereal bars; cream of tartar for culinary purposes; gluten additives for culinary purposes; pasta sauce; cereal bars; palm sugar; dough; flowers or leaves for use as tea substitutes; pastry dough; vareniki [stuffed dumplings]; pelmeni [dumplings stuffed with meat] including khinkali, manti; chocolate decorations for cakes; candy decorations for cakes; chocolate-coated nuts; rice pudding; nut flours; minced garlic [condiment]; baozi; rice pulp for culinary purposes; jiaozi; ramen [Japanese noodle-based dish]; okonomiyaki [Japanese savory pancakes]; batter mixes for okonomiyaki [Japanese savory pancakes]; burritos; prepared rice rolled in seaweed; edible paper; edible rice paper; chocolate-based spreads; chocolate spreads containing nuts; flour-based dumplings; agave syrup [natural sweetener]; mirror icing [mirror glaze]; freeze-dried dishes with the main ingredient being rice; freeze-dried dishes with the main ingredient being pasta; chamomile-based beverages; dulce de leche; bibimbap [rice mixed with vegetables and beef]; onigiri [rice balls]; instant rice; hot dog sandwiches; ice cubes; processed seeds for use as a seasoning; sesame seeds [seasonings]; chebureki [deep-fried pie]; piccaililli; quinoa, processed; bulgur; buckwheat, processed; buckwheat flour; cranberry sauce [condiment]; apple sauce [condiment]; croutons; potato-based flatbreads; zefir [confectionery]; pastila [confectionery]; senbei [rice crackers]; kimchijeon [pancakes made with fermented vegetables]; shaved ice with sweetened red beans; mints for breath freshening; chewing gum for breath freshening; udon noodles; soba noodles.

43 – Accommodation bureau services [hotels, boarding houses]; food and drink catering; retirement home services; café services; cafeteria services; providing campground facilities; canteen services; rental of temporary accommodation; boarding house services; tourist home services; hotel services; day-nursery [crèche] services; restaurant services; boarding house bookings; hotel reservations; self-service restaurant

services; snack-bar services; boarding for animals; bar services; holiday camp services [lodging]; rental of transportable buildings; temporary accommodation reservations; motel services; rental of chairs, tables, table linen, glassware; rental of meeting rooms; rental of tents; rental of cooking apparatus; rental of drinking water dispensers; rental of lighting apparatus; food sculpting; reception services for temporary accommodation [management of arrivals and departures]; washoku restaurant services; udon and soba restaurant services.

(260) AM 2021 112522 A

(800) 1584935

(151) 2021 01 19

(891) 2021 01 19

(731) Smart Engines Service Limited Liability

Company

Skolkovo Innovation Centre, Nobelya str.,
7, Off 132, 1 st floor, RU-121205 Moscow,
Russian Federation

(540)

 smart engines

(591) Turquoise, dark turquoise and dark navy blue

(531) 27.05.01; 27.05.02; 29.01.12

(511)

9 – Computer software, recorded; steering apparatus, automatic, for vehicles; readers [data processing equipment].

42 – Consultancy in the field of energy-saving.

(260) AM 2021 112523 A

(800) 1584964

(151) 2020 12 11

(891) 2020 12 11

(731) PAUL HARTMANN AG

Paul-Hartmann-Str. 12, 89522 Heidenheim,
Germany

(540)

 HARTMANN

(591) Blue and white

(531) 24.13.01; 24.13.22; 26.01.02; 26.01.06;

26.01.16; 26.01.18; 26.01.24; 27.05.24;

29.01.12

(511)

1 – Chemical products for industrial, scientific, photographic, agricultural, horticultural and forestry purposes; adhesives for industrial purposes; chemical reagents and diagnostic preparations (except for medical

and veterinary purposes), namely fluorescent test concentrates for detecting wetting gaps and contamination routes, including in tablet form.

3 – Bleaching preparations and other substances for laundry use; cleaning, polishing, scouring and abrasive preparations; soaps; perfumery, essential oils, cosmetics, hair lotions, dentifrices; absorbent cotton for cosmetic purposes and absorbent cotton products for cosmetic purposes, namely cotton balls, cotton swabs, cotton pads, absorbent cotton string, and absorbent cotton in ribbon form; cosmetic skin and hair care products; baby body care products, non-medicated, in particular in the form of ointments, creams, oils, soaps and powders; shampoos, wet wipes made of paper and/or cellulose impregnated with cosmetic lotions; plasters for cosmetic purposes; cleaning agents for care devices; cleaning agents with disinfectant properties.

5 – Chemical reagents and diagnostic preparations for medical and veterinary purposes; pharmaceutical and sanitary preparations; dietetic substances for medical purposes; disinfectants; disinfectants for sanitary and medical purposes; test strips for diabetes and pregnancy tests; strips for cholesterol tests; plasters for medical purposes, namely adhesive plasters, plasters for healing purposes, also as quick-acting wound dressings, fixation plasters, plasters for calluses and corns, plasters with transdermal active ingredients, rheumatism plasters, kidney plasters; dressing materials, in particular abdominal cloths, compresses, in particular gel and alginate compresses, swabs, tampons, gauze bandages, gauze for bandages, dressing material, also with X-ray contrast material or detection chip; X-ray contrast medium; articles of cellulose and/or absorbent cotton for feminine hygiene, namely sanitary towels, panties, tampons, panty liners; maternity pads, intimate wadding, sets consisting of identical or different dressing materials; bandages for medical purposes, namely fixation bandages, universal bandages, compression bandages, padded bandages; absorbent cotton and absorbent cotton products for medical and hygienic purposes; absorbent cotton or cellulose wipes impregnated with disinfectant and/or oil and/or detergent for medical and hygienic purposes; medical skin and hair care products; diapers, diaper liners, panty diapers and absorbent pads for sick persons and incontinent; first-aid material, namely dressing materials, pharmaceutical products, filled containers and sets as well as refills equipped with these goods, filled first-aid boxes; sanitary preparations for medical purposes; fixation panties, knitted and/or crocheted of textile threads or consisting of cellulose, for fixation of absorbent pads, all the aforementioned goods for incontinent care; dressing change sets, namely dressing material, plasters, compresses, swabs, tampons as parts of a dressing change set; catheter sets, namely pharmaceutical products, dressing material, plasters, compresses, swabs, tampons,

dressing material (also with material capable of X-ray contrast), disinfectants as parts of a catheter set; surgical sets, namely pharmaceutical products, dressing material, also with X-ray contrast material or detection chip, plasters, compresses, swabs, tampons, bandages, abdominal cloths, also with X-ray contrast chip, incision foils, incontinence pads and incontinence underpads, as parts of a surgical set; fungicides, herbicides; synthetic resin dressings; slip-on and net dressings; herbal mud packs for therapeutic use; nursing pads; diapers and diaper liners, essentially consisting of paper, non-woven and/or cellulose; fixation panties, knitted and/or crocheted of textile threads and/or consisting of cellulose for fixing absorbent pads; dispenser boxes for compresses; medicinal soaps.

9 – Measuring apparatus and instruments; electrical or electronic measuring apparatus and instruments, in particular apparatus for measuring body temperature (not for medical purposes); computer software; computer operating systems and computer programs, stored or downloadable; data processing programs, in particular in connection with courier services, for the supply of hospitals and waste disposal from hospitals; electrical protection apparatus for the elderly and children, namely protection devices for sockets, stoves and night lamps, intercommunication systems; downloadable electronic data, publications and newspapers, in particular journals in electronic form.

10 – Surgical, medical, dental and veterinary instruments and apparatus, also for single use; artificial limbs, eyes and teeth; orthopaedic articles, surgical suture material; wound suture strips; thermometers for medical purposes; examination, protective and surgical gloves for medical and surgical purposes; surgical hoods and head veils; drapes for surgical purposes; cloths for sterile covering of patients and objects; mouth and nose masks for medical purposes; bedding made of cellulose, non-woven fabric, plastic, textile materials and/or rubber for children and sick persons; medical and incontinence sheets and supports (included in this class); catheters, urinals; nipple bags made of non-woven fabric and/or plastic for holding nipple tubes; special containers for medical purposes, namely containers made of plastic, paper or metal foil; first-aid material, namely medical instruments as parts of a set and refills equipped with these goods; dressing change sets, namely cloths for sterile covering of patients and objects as parts of a dressing change set; catheter sets, namely examination, protective and surgical gloves for medical and surgical purposes, catheters, urinals, cloths for sterile covering of patients and objects, surgical and medical instruments and apparatus, wound suture strips as parts of a catheter set; surgical sets, namely examination, protective and surgical gloves, catheters, urinals, cloths for sterile covering of patients and objects, surgical, medical and veterinary instruments and apparatus, spatulas (for medical purposes), cups (for medical purposes) and

bowls (for medical purposes), medical filters, suture material (for medical purposes); bottles (for medical purposes), bags (for medical purposes), syringes, cannulas, filter needles (for medical purposes), electrodes (for medical purposes), drains (for medical purposes) and tubes (for medical purposes), trocars, skin marking pens (for medical purposes), needle and blade collectors (for medical purposes); medical apparatus and instruments for angiographic procedures as parts of a surgical set; surgical clothing for medical personnel; orthopedic bandages; plaster, fixation, support and padding bandages for orthopedic purposes; orthopedic articles, in particular positioning splints for trunk, leg and arm orthopedics; compression stockings, anti-thrombosis stockings; catheters and catheter sets consisting thereof; urinals, suction bags made of non-woven fabric and/or plastic for holding suction tubes; blood pressure and blood sugar measuring devices; cholesterol measuring devices; inhalers, condoms; containers and sets filled with "first aid material", namely medical instruments, and refills containing these goods; breast pumps; teething rings; teats and soothers; orthopaedic and medical mattresses; vascular loops as parts of surgical sets; maternity belts.

16 – Packaging bags of paper or plastic for the disposal of babies' diapers, also perfumed; magazines, brochures and printed matter; sterilizable packaging, essentially consisting of paper and/or plastic for medical devices; baby bibs made of cellulose; washcloths consisting of cellulose, for single use; paper handkerchiefs; multi-purpose towels for hygienic purposes, of cellulose and/or paper; paper, cardboard and goods made from these materials, not included in other classes; printed matter; bookbinding material; photographs [printed]; instructional and teaching material (except apparatus); brochures, books, diagrams, leaflets, magazines, newspapers and publications (writings).

24 – Sheets [textile], comforters, multi-purpose towels for hygienic purposes made of non-woven and/or textile materials; non-wovens and goods manufactured using these materials, namely table and bed linen, bed covers, bedspreads, bed blankets; towels, wash cloths, handkerchiefs, napkins; baby and children's textile goods, namely changing cloths, bath towels, washing gloves.

25 – Children's clothing, baby bibs made of textile fabrics; work clothing for medical staff and for patients as disposable and reusable clothing; nursing bras; baby bibs made of non-wovens.

35 – Market research, opinion polling; preparation of cost-price analyses, consultancy in the organisation and management of businesses, business management consultancy, business management consultancy for hospitals; market research, in particular in the medical field; wholesale and retail services relating to the go-

ods: chemical products for industrial, scientific, photographic, agricultural, horticultural and forestry purposes, adhesives for industrial purposes, chemical reagents and diagnostic agents other than for medical and veterinary purposes namely fluorescent test concentrates for detecting wetting gaps and contamination routes also in tablet form, detergents and bleaching agents, cleaning, polishing, degreasing and abrasive agents, soaps, perfumery products, essential oils, agents for body and beauty care, hair lotions, toothpastes, absorbent cotton and absorbent cotton products for cosmetic purposes, cotton balls, cotton swabs, cotton pads, absorbent cotton strings, absorbent cotton in ribbon form, cosmetic skin and hair care products, agents for baby body care, in particular ointments, creams, oils, soaps, powders, shampoo, wet wipes made of paper and/or cellulose, plasters for cosmetic purposes, cleaning agents for care equipment, medical soaps, cleaning agents with disinfecting action, chemical reagents and diagnostic agents for medical and veterinary purposes, pharmaceutical and health care products, dietary products for medical purposes, disinfectants, disinfectants for health and medical purposes, chemical products for personal hygiene to protect and clean the skin, test strips for diabetes and pregnancy tests, strips for cholesterol tests, plasters of all kinds, namely adhesive plasters, plasters for healing purposes, also as quick-acting wound dressings, fixation plasters, plasters for calluses and corns, plasters with transdermal active ingredients, rheumatism plasters, kidney plasters, wound care material, dressing materials, in particular abdominal cloths, compresses, including gel and alginate compresses, swabs, tampons, gauze bandages, gauze, dressing materials, including those with X-ray contrast material or detection chip, X-ray contrast medium, articles made of cellulose and/or absorbent cotton for feminine hygiene, namely sanitary towels, panties, tampons, panty liners, maternity pads, intimate wadding, sanitary belts, sets consisting of identical or different dressing materials, bandages, in particular fixation bandages, universal bandages, compression bandages, padded bandages, absorbent cotton and absorbent cotton products for medical and hygienic purposes, absorbent cotton or cellulose wipes impregnated with disinfectant and/or oil and/or detergent for medical and hygienic purposes, medical skin and hair care products, diapers, diaper pads, panty diapers and absorbent pads for sick and incontinent persons, "first aid material", namely dressing materials, pharmaceutical products, medical instruments, filled containers and sets as well as refills containing these goods, filled first aid boxes, sanitary preparations for medical purposes, fixation panties, knitted and/or crocheted of textile threads or consisting of cellulose, for the fixation of absorbent pads, all the aforementioned goods for incontinent care, dressing change sets, namely dressing material, plasters, compresses, swabs, tampons as parts of a dressing change set, catheter sets, namely pharmaceutical pro-

ducts, dressing material, chemical products for personal hygiene to protect and cleanse the skin, plasters, compresses, swabs, tampons, dressing material, also with radiocontrast material, disinfectants as parts of a catheter set, surgical sets, namely pharmaceutical products, dressing material, also with radiocontrast material or a detection chip, plasters, compresses, swabs, tampons, bandages, abdominal cloths also with X-ray contrast chip, incision foils, vascular loops, incontinence pads and incontinence underlays, as parts of a surgical set, fungicides, herbicides, measuring apparatus and instruments, electrical or electronic measuring devices and instruments, including body temperature measuring devices, computer software, computer operating systems and computer programs stored or downloadable, data processing programs, in particular in connection with delivery services for the supply of hospitals and/or waste disposal from hospitals, electrical protection devices for the elderly and children, namely protection devices for sockets, stoves and night lamps, intercom systems, downloadable electronic data, publications, journals in electronic form, surgical, medical, dental and veterinary instruments and apparatus, also for single use, artificial limbs, eyes and teeth, orthopedic articles, surgical sutures, wound suture strips, thermometers for medical purposes, examination, protective and surgical gloves for medical and surgical purposes, surgical hoods and head veils, drapes for surgical purposes, cloths for sterile covering of patients and objects, mouth and nose masks, bedding made of cellulose, non-woven, plastic, textile materials and/or rubber for children and sick persons, medical and incontinence pads (included in this class), catheters, urinals, nipple bags made of non-woven and/or plastic material for holding nipple tubes, special containers for medical purposes, namely containers made of plastic, paper or metal foil, first aid material, namely medical instruments as parts of a set and refills containing these goods, dressing change sets, namely wipes for sterile covering of patients and objects as parts of a dressing change set, catheter sets, namely examination, protective and surgical gloves for medical, medical and surgical purposes, catheters, urinals, wipes for sterile covering of patients and objects, surgical and medical instruments and apparatus, wound suture strips as parts of a catheter set, surgical sets, namely examination, protective and surgical gloves, catheters, urinals, cloths for sterile covering of patients and objects, surgical, medical and veterinary instruments and apparatus, spatulas, cups and bowls, medical filters, suture material, bottles, bags, syringes, cannulas, filter needles, electrodes, drains and tubes, trocars, suction systems/fluid conduction systems, skin marking pens, needle and blade collectors, products for angiographic procedures as parts of an operating set, work clothing for medical personnel and patients as disposable and reusable clothing, orthopedic bandages, synthetic resin dressings, plaster, fixation, support and padding bandages, slip-on and net

bandages, orthopaedic aids, in particular positioning splints for trunk, leg and arm orthopaedics, compression stockings, anti-thrombosis stockings, catheters, catheter sets, urinals, suction bags made of non-woven fabric and/or plastic for holding suction tubes, surgical, medical and medical-technical instruments and devices, blood pressure and blood sugar measuring devices, cholesterol meters, inhalers, fango packs, condoms, first-aid kits, namely medical instruments, filled containers and sets, and refills fitted with these goods, nursing bras, pads and breast pumps, teething rings, teats and soothers, orthopaedic and medical mattresses, diapers, diaper liners, consisting essentially of paper, non-woven fabric and/or cellulose, packaging bags made of paper or plastic for the disposal of baby diapers, also perfumed, magazines, brochures and printed matter, sterilizable packaging, essentially consisting of paper, non-woven fabric and/or plastic for medical products, baby bibs made of non-woven fabric and/or cellulose, washcloths, in particular consisting of cellulose for single use, cellulose, paper handkerchiefs, dispenser boxes for compresses, cotton swabs, wrapping foils essentially consisting of plastic material for fixing absorbent pads, multi-purpose towels for hygienic purposes made of cellulose and/or paper, paper, cardboard, paperboard and goods made of these materials, not included in other classes, printed matter, bookbinding material, photographs [printed], teaching and instructional materials (other than apparatus), brochures, books, diagrams, prospectuses, journals, newspapers and publications (writings), sheets, quilts, multi-purpose towels for hygienic purposes made of non-woven and/or textile materials, non-woven fabrics and goods manufactured with the use of such materials, namely table and bed linen, bed covers, bedspreads, blankets, towels, wipes, handkerchiefs, napkins, baby and children's textiles, namely napkins, bath towels, washing gloves, fixing panties, knitted and/or crocheted of textile threads and/or consisting of cellulose for fixing absorbent pads, children's clothing, baby bibs made of textile materials, workwear for medical personnel and for patients as disposable and reusable clothing.

39 – Transportation; packaging and storage of goods; organization of trips; delivery services for the supply of hospitals and/or waste disposal from hospitals and homes for the elderly and disabled, in particular the operating theater area with the following goods: pharmaceutical products, chemical products for personal hygiene to protect and clean the skin, hygiene preparations for medical purposes, sanitary towels, panty liners, maternity pads, diapers, diaper liners, panty diapers and absorbent pads for incontinent and sick persons, dietary products for medical purposes, plasters, dressing material also with X-ray contrast material or detection chips, X-ray contrast medium, disinfectants, absorbent cotton and absorbent cotton products for medical and hygienic purposes, absorbent cotton or cellulose wipes impregnated with disin-

fectant and/or oil and/or detergent for medical and hygienic purposes, medical skin and hair care products, containing first aid material, namely dressing materials and pharmaceutical products as parts of a set and refills containing these goods, filled first aid kits, fixing panties, knitted and/or knitted of textile threads or consisting of cellulose, for fixing absorbent pads, all the aforementioned goods for incontinent care, dressing change sets, namely dressing material, plasters, compresses, swabs, tampons as parts of a dressing change set, catheter sets, namely pharmaceutical products, dressing material, chemical products for personal hygiene to protect and clean the skin, plasters, compresses, swabs, tampons, dressing material also with material capable of producing X-ray contrast, disinfectants as parts of a catheter set, surgical sets, namely pharmaceutical products, dressing material, also with X-ray contrast material or a detection chip, plasters, compresses, swabs, bandages, abdominal cloths, also with X-ray contrast chip, incision foils, vascular loops, incontinence pads and incontinence underlays as parts of a surgical set, measuring apparatus and instruments, electrical or electronic measuring apparatus and instruments including body temperature measuring devices, surgical, medical, dental and veterinary instruments and apparatus also for single use, artificial limbs, eyes and teeth, orthopaedic articles, surgical suture material, wound suture strips, thermometers for medical purposes, examination, protective and surgical gloves for medical and surgical purposes, surgical hoods and head veils, drapes for surgical purposes, cloths for sterile covering of patients and objects, mouth and nose masks, bedding made of cellulose, non-woven fabric, plastic, textile materials and/or rubber for children and the sick, medical and incontinence pads (included in this class), catheters, urinals, nipple bags made of non-woven and/or plastic material for holding nipple tubes, special containers for medical purposes, namely containers made of plastic, paper or metal foils, first-aid material, namely medical instruments as part of a set and refills equipped with these goods, dressing change sets namely wipes for sterile covering of patients and objects as parts of a dressing change set, catheter sets, namely examination, protective and surgical gloves for medical, medical and surgical purposes, catheters, urinals, wipes for sterile covering of patients and objects, surgical and medical instruments and apparatus, wound suture strips as parts of a catheter set, surgical sets, namely examination, protective and surgical gloves, catheters, urinals, wipes for sterile covering of patients and objects, surgical, medical and veterinary instruments and apparatus, spatulas, cups and bowls, medical filters, suture material, bottles, bags, syringes, cannulas, filter needles, electrodes, drains and tubes, trocars, suction systems/fluid management systems, skin marking pens, needle and blade collectors, angiographic procedure products as parts of a surgical kit, workwear for medi-

cal personnel and patients as disposable and reusable clothing, clothing, footwear, headgear; storage and delivery of medical goods for the homes of the elderly and disabled.

41 – Education; training; entertainment; sporting and cultural activities; organisation and running of courses, specialist seminars, conferences, congresses and workshops to impart knowledge in the field of wound care, incontinence, the operating theatre, infusion therapy and compression therapy, as well as tape courses (to impart knowledge in the field of tape bandages); running of training, educational, training and upbringing courses for young people and adults, in particular for scientific, medical and social occupational areas; education and further training; correspondence courses; publication of texts (except advertising texts); information on training and further training events; online publication of electronic books and magazines; organisation and holding of conferences, congresses, symposia; teaching and education; organisation and holding of seminars, meetings and workshops; organisation and holding of colloquia; education and training in incontinence care; publication of printed matter containing information on diseases and information in the field of health and medicine, except for advertising purposes.

42 – Design and development of computer hardware and software; scientific and technological services and research and development relating thereto; industrial analysis and research; surveying; scientific, economic and medical research services for third parties; chemical laboratory services; chemical analysis.

43 – Services for providing food and drink; services for the accommodation of guests; operation of retirement homes.

44 – Medical services; hygienic and beauty care for humans and animals; medical consultancy; medical outpatient services; operation of convalescent homes, nursing homes, hospices and clinics; pharmaceutical consultancy; rental of health care equipment; medical consultancy for medical outpatient services, for convalescent homes, nursing homes, hospices and clinics; medical consultancy in the field of medical services, medical nursing and health care.

(260) AM 2021 112524 A

(800) 1584975

(151) 2020 12 11

(891) 2020 12 11

(731) Individual entrepreneur Kharitonov Roman Nikolayevich
ul. Lesnaya, d.3, mkr Novogorsk, g.Khimki,
RU-141435 Moskovskaya obl., Russian
Federation

(540)

EvdeLUX

(591) Black, white

(531) 15.09.10; 15.09.12; 27.05.01

(511)

7 – Machines; power-operated tools; water heaters being parts of machines; food blenders, electric, for household purposes; kitchen mixers, electric; electric hand-held mixers for household purposes; meat choppers [machines]; kitchen grinders, electric; kitchen machines, electric; food processors, electric, for household purposes; food processors, electric; coffee grinders, electric; coffee grinders, other than hand-operated; dishwashers for household purposes; washing machines [laundry]; spin driers [not heated]; mixers, electric, for household purposes; vacuum cleaners; fruit presses, electric, for household purposes; food blenders, electric; knives, electric; waste disposal units, electric; electric food slicers.

8 – Hand tools and implements, hand-operated; cutlery; flat irons; irons [non-electric hand tools]; mincing knives [hand tools]; vegetable slicers; vegetable spiralizers, hand-operated; vegetable peelers [hand tools]; vegetable choppers; edge tools [hand tools]; cutters.

11 – Apparatus for lighting, heating, steam generating, cooking, refrigerating, drying, ventilating, water supply and sanitary purposes; cookers; kitchen ranges [ovens]; electric ovens; gas ovens; electric cooktops; gas cooking panels; induction cooking panels; heaters for heating irons; steam boilers, other than parts of machines; grills [cooking appliances]; gas cooking ovens; electric cooking stoves for household purposes; electric cookers; cooktops; cooking rings; electric appliances for making yogurt; multicookers; food steamers, electric; rice steamers, electric; vegetable steamers, electric; automatic bread-making machines for household purposes; bread toasters; electric toaster ovens; coffee machines, electric; kettles, electric; thermo-pots, electric; mixer faucets for water pipes; water-saving aerators for faucets; sinks; artificial stone sinks; refrigerators; refrigerators, cooling apparatus and freezers; refrigerating chambers; cool boxes, electric; wine cellars, electric; air-conditioning apparatus; radiators [heating]; radiators, electric; humidifiers for central heating radiators; humidifiers for household purposes; humidifiers, electric; air sterilizers; air deodorizing apparatus; ionization apparatus for the treatment of air or water; fans [air-conditioning]; air purifying apparatus and machines; air filtering installations; air-conditioning installations; air cooling apparatus; filters for air conditioning; fans [parts of air-conditioning installations]; hot air apparatus; ventilation [air-conditioning] installations and apparatus; ionization apparatus for the treatment of air; air-conditioning units; air purifying units; air-conditioning apparatus

and installations; air purifying units for household purposes; ventilation hoods for stoves; kitchen hoods; electric dryers for vegetables and fruits; rice cookers; electric sandwich makers; electric waffle makers; roasters; electric fondues [cooking apparatus]; convectors; filters for drinking water; microwave ovens [cooking apparatus]; multi-bakers; mini ovens; deep fryers; electric BBQ grills; electric pancake makers; electric waffle irons; electric raclette grills.

21 – Kitchen mixers, non-electric; household or kitchen utensils and containers; food blenders, non-electric; non-electric griddles [cooking utensils]; crushers for kitchen use, non-electric; kitchen grinders, non-electric; food steamers, non-electric; fondue pots, non-electric; coffee percolators, non-electric; coffee grinders, non-electric; coffee grinders, hand-operated; teapots; kettles, non-electric; food grinders, hand-operated; washing boards; fruit presses, non-electric, for household purposes.

(260) AM 2021 112525 A

(800) 1584977

(151) 2021 01 11

(891) 2021 01 11

(731) "MY REPUBLIC" Ltd.

Pohodniy proezd, building 14, lev/place/room
5/II/№5, RU-125373 Moscow, Russian
Federation

(540)



(591) Yellow and blue

(531) 03.07.13; 03.07.20; 03.07.24; 24.17.12;
27.05.10; 29.01.12

(511)

8 – Carving forks; table forks; rakes [hand tools]; sculptors' chisels; cutlery; edge tools [hand tools]; garden tools, hand-operated; implements for decanting liquids [hand tools]; ear-piercing apparatus; cutting tools [hand tools]; hand tools, hand-operated; mallets [hand instruments]; ladles [hand tools]; foundry ladles [hand tools]; diggers [hand tools]; nail nippers; spoons; table knives, forks and spoons for babies; table knives, forks and spoons of plastic; trowels [gardening]; shovels [hand tools]; hair clippers for personal use, electric and non-electric; hammers [hand tools]; mattocks; manicure sets; manicure sets, electric; pedicure sets; bits [hand tools]; air pumps, hand-operated; hand pumps; knives; fruit segmenters; vegetable knives; hobby knives [scalpels]; fruit corers; ceramic knives; bill-hooks; scissors; border shears; pruning shears; shearers [hand instruments]; agricultural imple-

ments, hand-operated; stirring sticks for mixing paint; emery boards; nail files; nail files, electric; tweezers; guns, hand-operated, for the extrusion of mastics; dies [hand tools]; tool belts [holders]; hair braiders, electric; table cutlery [knives, forks and spoons]; hand implements for hair curling; hackles [hand tools]; silver plate [knives, forks and spoons]; mortars for pounding [hand tools]; mitre boxes [hand tools]; hoop cutters [hand tools]; hoes [hand tools]; squares [hand tools]; irons [non-electric hand tools]; awls; choppers [knives]; swords; palette knives; spatulas [hand tools]; spatulas for use by artists; pliers; curling tongs; cuticle tweezers; eyelash curlers; nail clippers, electric or non-electric; cutters; fullers [hand tools]; egg slicers, non-electric; pizza cutters, non-electric; fingernail polishers, electric or non-electric.

10 – Maternity belts; bandages, elastic; cupping glasses; feeding bottles; air cushions for medical purposes; vibromassage apparatus; pill cutters; containers especially made for medical waste; clips for dummies; feeding bottle valves; spoons for administering medicine; furniture especially made for medical purposes; breast pumps; dummies for babies; feeding bottle teats; baby feeding dummies; receptacles for applying medicines; cases fitted for medical instruments; tongue depressors for medical purposes.

11 – Refrigerating containers; shower enclosures; toilet seats; ornamental fountains; thermo-pots, electric.

18 – Mountaineering sticks; slings for carrying infants; pocket wallets; reins for guiding children; sling bags for carrying infants; umbrellas; parasols; cases of leather or leatherboard; imitation leather; leather, unworked or semi-worked; hat boxes of leather; boxes of leather or leatherboard; purses; bags [envelopes, pouches] of leather, for packaging; moleskin [imitation of leather]; travelling sets [leatherware]; vanity cases, not fitted; hiking sticks; music cases; girths of leather; garment bags for travel; shoulder belts [straps] of leather; briefcases; randsels [Japanese school satchels]; haversacks; leather straps; straps for skates; straps of leather [saddlery]; umbrella handles; walking stick handles; suitcase handles; grips for holding shopping bags; rucksacks; travelling bags; net bags for shopping; bags; handbags; beach bags; saddlebags; compression cubes adapted for luggage; bags for sports; bags for campers; shopping bags; wheeled shopping bags; school satchels; pouch baby carriers; travelling trunks; nose bags [feed bags]; umbrella sticks; walking stick seats; key cases; suitcases; motorized suitcases; suitcases with wheels; valises; attaché cases; umbrella covers; leather cord; labels of leather; boxes of vulcanized fiber.

20 – Bumper guards for cots, other than bed linen; pulleys of plastics for blinds; bolts, not of metal; barrels, not of metal; sideboards; busts of wood, wax, plaster or plastic; costume stands; bolsters; fans for personal use, non-electric; valet stands; coatstands;

shoulder poles [yokes]; display stands; showcases [furniture]; signboards of wood or plastics; covers for clothing [wardrobe]; curtain holders, not of textile material; pegs [pins], not of metal; door closers, not of metal, non-electric; keyboards for hanging keys; display boards; packaging containers of plastic; binding screws, not of metal, for cables; clips of plastic for sealing bags; rivets, not of metal; bottle closures, not of metal; closures, not of metal, for containers; latches, not of metal; mirrors [looking glasses]; hand-held mirrors [toilet mirrors]; bamboo; wickerwork; works of art of wood, wax, plaster or plastic; settees; jerrycans, not of metal; curtain rods; plastic keys; mats for infant playpens; bed casters, not of metal; furniture casters, not of metal; brush mountings; wind chimes [decoration]; door bells, not of metal, non-electric; bottle caps, not of metal; cradles; tent pegs, not of metal; curtain rings; chests of drawers; containers, not of metal [storage, transport]; floating containers, not of metal; lecterns; baskets, not of metal; Moses baskets; bottle casings of wood; tool boxes, not of metal, empty; faucets, not of metal, for casks; deck chairs; beds; edgings of plastic for furniture; screw tops, not of metal, for bottles; hooks, not of metal, for clothes rails; curtain hooks; clothes hooks, not of metal; bag hangers, not of metal; ladders of wood or plastics; playpens for babies; mannequins; mattresses; air mattresses, not for medical purposes; camping mattresses; furniture of metal; office furniture; school furniture; door knockers, not of metal; curtain rails; legs for furniture; feet for furniture; door stops, not of metal or rubber; window stops, not of metal or rubber; moldings for picture frames; freestanding partitions [furniture]; stakes, not of metal, for plants or trees; trestles [furniture]; magazine racks; book rests [furniture]; flower-pot pedestals; baby changing mats; head support cushions for babies; anti-roll cushions for babies; air pillows, not for medical purposes; head positioning pillows for babies; racks [furniture]; library shelves; furniture shelves; shelves for storage; wood ribbon; straw edgings; towel stands [furniture]; hat stands; bathtub grab bars, not of metal; inflatable publicity objects; counters [tables]; bedding, except linen; corks for bottles; sealing caps, not of metal; tanks, not of metal nor of masonry; curtain rollers; door handles, not of metal; knobs, not of metal; bath seats for babies; seats of metal; benches [furniture]; vats, not of metal; statues of wood, wax, plaster or plastic; shelving units; umbrella stands; gun racks; dressing tables; tables of metal; wall-mounted baby changing platforms; steps [ladders], not of metal; chairs [seats]; high chairs for babies; shower chairs; chests, not of metal; placards of wood or plastics; stools; footstools; decorations of plastic for foodstuffs; door fittings, not of metal; bed fittings, not of metal; furniture fittings, not of metal; infant walkers; garment covers [storage]; chaise longues; screens [furniture]; bamboo curtains; slatted indoor blinds; labels of plastic; lockers; chests for toys; tool chests, not of me-

tal, empty; boxes of wood or plastic; bottle racks; trays, not of metal; step stools, not of metal; figurines of wood, wax, plaster or plastic.

21 – Buckets; cookie jars; china ornaments; dishes; paper plates; vegetable dishes; saucers; mugs; boxes for sweets; bottles; demijohns; vases; epergnes; fruit cups; inflatable bath tubs for babies; baby baths, portable; waffle irons, non-electric; diaper disposal pails; coolers [ice pails]; whisks, non-electric, for household purposes; towel rails and rings; flower pots; chamber pots; cruets; decanters; sponge holders; stands for portable baby baths; toothpick holders; soap holders; table napkin holders; holders for flowers and plants [flower arranging]; tea bag rests; shaving brush stands; toilet paper holders; soap dispensers; toilet paper dispensers; cutting boards for the kitchen; bread boards; washing boards; strainers for household purposes; containers for household or kitchen use; kitchen containers; heat-insulated containers; heat-insulated containers for beverages; thermally insulated containers for food; glass flasks [containers]; closures for pot lids; toothpicks; works of art of porcelain, ceramic, earthenware, terra-cotta or glass; cleaning instruments, hand-operated; cabarets [trays]; stew-pans; covers, not of paper, for flower pots; basting brushes; baking mats; polishing leather; hot pots, not electrically heated; glass bulbs [receptacles]; napkin rings; poultry rings; coin banks; piggy banks; bread baskets for household purposes; baskets for household purposes; waste paper baskets; lunch boxes; tea caddies; washtubs; mess-tins; pot lids; aquarium hoods; butter-dish covers; dish covers; cheese-dish covers; reusable silicone food covers; pitchers; perfume burners; watering cans; ice cream scoops; mixing spoons [kitchen utensils]; basting spoons [cooking utensils]; pie servers; spatulas for kitchen use; butter dishes; pepper mills, hand-operated; isothermic bags; bowls [basins]; soap boxes; cooking pot sets; nozzles for watering cans; pouring spouts; cake decorating tips and tubes; nozzles for watering hose; fitted picnic baskets, including dishes; toilet cases; sprinklers; cold packs for chilling food and beverages; chopsticks; plates to prevent milk boiling over; dripping pans; trays for household purposes; lazy susans; heaters for feeding bottles, non-electric; candelabra [candlesticks]; trivets [table utensils]; coasters, not of paper or textile; knife rests for the table; flat-iron stands; egg cups; drinking troughs; serving ladles; pots; cooking pots; tableware, other than knives, forks and spoons; porcelain ware; crystal [glassware]; cosmetic utensils; toilet utensils; make-up removing appliances; spice sets; apparatus for wax-polishing, non-electric; bottle openers, electric and non-electric; glove stretchers; clothes-pegs; glass stoppers; powder compacts, empty; combs; sifters [household utensils]; shoe horns; salad bowls; sugar bowls; beaters, non-electric; egg separators, non-electric, for household purposes; services [dishes]; coffee services [tableware]; tea services [tableware]; cooking mesh bags, other than for microwaves; sieves

[household utensils]; tea strainers; squeegees [cleaning instruments]; currycombs; blenders, non-electric, for household purposes; scoops for household purposes; fruit presses, non-electric, for household purposes; drinking straws; salt cellars; drinking vessels; refrigerating bottles; cups of paper or plastic; glasses [receptacles]; drinking glasses; statues of porcelain, ceramic, earthenware, terra-cotta or glass; figurines of porcelain, ceramic, earthenware, terra-cotta or glass; mortars for kitchen use; portable cool boxes, non-electric; soup bowls; drying racks for laundry; basins [receptacles]; table plates; disposable table plates; insulating flasks; utensils for household purposes; kitchen utensils; cooking utensils, non-electric; flasks; molds [kitchen utensils]; egg poachers; cake moulds; ice cube molds; cookery moulds; deep fryers, non-electric; comb cases; bread bins; teapots; kettles, non-electric; cups; ironing board covers, shaped; tea infusers; mops; mop wringers; cocktail shakers; cosmetic spatulas; brushes; dishwashing brushes; brushes for cleaning tanks and containers; carpet sweepers; brushes for footwear; tar-brushes, long handled; toilet brushes; nail brushes; boxes for dispensing paper towels; dustbins; window-boxes; busts of porcelain, ceramic, earthenware, terra-cotta or glass; clothing stretchers; bulb basters.

27 – Artificial turf; yoga mats; floor mats, fire-resistant, for fireplaces and barbecues; carpets; carpets for automobiles; bath mats; non-slip mats; linoleum; wall hangings, not of textile; wallpaper; textile wallpaper; carpet underlay; vinyl floor coverings; floor coverings; textile wallcoverings; door mats; tatami mats; gymnasium mats.

28 – Swimming pools [play articles]; trampolines; novelty toys for parties; bodyboards; boomerangs; dolls' feeding bottles; tricycles for infants [toys]; shuttlecocks; spinning tops [toys]; dumb-bells; jigsaw puzzles; punching bags; flying discs [toys]; discuses for sports; dolls' houses; playhouses for children; dominoes; swimming kickboards; paddleboards; surfboards; skateboards; sailboards; chessboards; checkerboards; drones [toys]; darts; Christmas trees of synthetic material; cups for dice; kites; toys; stuffed toys; inflatable games for swimming pools; plush toys; novelty toys for playing jokes; games; parlor games; board games; ring games; building games; toy imitation cosmetics; swimming pool air floats; kaleidoscopes; bladders of balls for games; trading cards for games; rocking horses; swings; yoga swings; skittles; skittles [games]; baby gyms; bells for Christmas trees; dolls' rooms; confetti; roller skates; dice; dolls' beds; building blocks [toys]; dolls; flippers for swimming; rhythmic gymnastics ribbons; puppets; masks [playthings]; carnival masks; toy putty; matryoshka dolls; teddy bears; targets; toy models; scale model kits [toys]; scale model vehicles; kite reels; balls for games; knee guards [sports articles]; elbow guards [sports articles]; pumps specially adapted for use with balls for

games; dolls' clothes; play tents; batting gloves [accessories for games]; pinatas; toy pistols; toy air pistols; percussion caps [toys]; caps for pistols [toys]; toy dough; protective films adapted for screens for portable games; rattles [playthings]; horseshoe games; candle holders for Christmas trees; Christmas tree stands; water wings; swimming belts; soap bubbles [toys]; rackets; toy robots; plush toys with attached comfort blanket; scooters [toys]; sleds [sports articles]; butterfly nets; snowboards; toy vehicles; remote-controlled toy vehicles; ornaments for Christmas trees, except lights, candles and confectionery; conjuring apparatus; apparatus for games; toy figures; party poppers [party novelties]; Christmas crackers [party novelties]; marbles for games; playing balls; play balloons; chess games; checkers [games]; paper party hats; toy mobiles; flippers for diving; swimming webs.

(260) AM 2021 112529 A

(800) 1585026

(151) 2020 12 02

(891) 2020 12 02

(731) voestalpine Tubulars GmbH & Co KG
Alpinestraße 17, A-8652 Kindberg-Aumühl,
Austria

(540)

V Awizard

(591) Black, white

(511)

6 – Pipes of metal, in particular steel pipes; pipelines of metal, in particular of steel; steel penstocks for the transport of oil and/or natural gas; pipe connectors of metal such as steel, in particular for oil pipelines or natural gas pipelines; threaded connectors of metal such as steel, in particular for oil pipelines or natural gas pipelines; pipe sleeves of metal, in particular of steel; threaded tubes of metal, in particular of steel; manifolds of metal for pipelines; pipe strings of metal for the transport of crude oil or natural gas; oilfield pipes of metal; metal drill strings for oil fields.

37 – Repair and installation of metal pipelines; pipeline installation and maintenance; installation of threaded pipes and/or gas-tight threaded fittings made of metal; repair of threaded pipes and/or gas-tight threaded connections made of metal.

(260) AM 2021 112531 A

(800) 1585049

(151) 2021 03 02

(891) 2021 03 02

(731) FM World Sp. z o.o.
ul. Żmigrodzka 247, PL-51-129 Wrocław,
Poland

(540)

FM WORLD

(591) Black, white

(511)

3 – Bleaching preparations; laundry detergent; laundry additives; cleaning preparations; polishing preparations; scouring substances; abrasive preparations; soap; perfumery and fragrances; essential oils; cosmetics; hair care lotions; dentifrice; cotton balls for cosmetic purposes; make-up pads of cotton wool.

5 – Pharmaceuticals; veterinary preparations; dietetic substances adapted for medical use; bactericides; salts for mineral water baths; air deodorising preparations; swabs for medical use.

21 – Household or kitchen utensils; kitchen containers; household containers; combs; sponges; make-up brushes; brushes; material for brush-making; cleaning articles; glassware not included in other classes; porcelain ware; ceramics for household purposes; earthenware not included in other classes; works of art made of earthenware; cosmetic utensils; powder compacts [cases]; powder compacts; eyebrow brushes; eyelash combs; mascara brushes; nail brushes; applicators for cosmetics; perfume vaporizers; toilet cases; flasks; make-up removing appliances; comb cases; gloves for household purposes.

28 – Games; toys; gymnastic and sporting articles; decorations for Christmas trees.

30 – Coffee; tea; cocoa; sugar; rice; tapioca; sago; artificial coffee; flour; preparations made from cereals; bread; confectionery; sweetmeats [candy]; ice cream; honey; treacle; yeast; baking powder; salt; mustard; vinegar; sauces [condiments]; condiments; ice.

(260) AM 2021 112536 A

(800) 1585192

(151) 2021 01 05

(891) 2021 01 05

(731) Anker Innovations Technology Co., Ltd.
Room 701, 7F Building 7, 1st Phase of,
Headquarters Building of Changsha,
Zhongdian Software Park Co., Ltd., No. 39
Jianshan Road, Changsha National,
High-Tech Industrial Development Zone,
Changsha, Hunan, China

(540)

ROBOVAC

(591) Black, white

(531) 27.05.01

(511)

7 – Machines and apparatus for cleaning, electric; vacuum cleaners; brushes for vacuum cleaners; washing apparatus; dust exhausting installations for cleaning purposes; central vacuum cleaning installations; vacuum cleaner hoses; garbage disposal units; cleaning appliances utilizing steam; suction nozzles for vacuum cleaners.

(260) AM 2021 112552 A
 (800) 1585484
 (151) 2021 02 17
 (891) 2021 02 17
 (731) UAB "VILNIAUS DEGTINĖ"
 Panerių g. 47, Vilnius, Lithuania
 (540)



(591) Light brown, black, dark green and gold
 (531) 23.01.01; 24.03.09; 25.01.15; 27.05.11;
 29.01.14

(511)
 33 – Brandy; vodka; distilled beverages; gin; cocktails (alcoholic); liqueurs; spirits (beverages); pre-mixed alcoholic beverages, other than beer-based; alcoholic beverages, except beer; alcoholic beverages containing fruit; bitters; whisky.

(260) AM 2021 112553 A
 (800) 1585548
 (151) 2021 01 28
 (891) 2021 01 28
 (731) National Basketball Players Association
 1133 Avenue of the Americas, 5th Floor,
 New York NY 10036, USA
 (540)



(591) Black, white
 (531) 21.03.01; 26.01.05; 26.01.21; 26.01.24;
 26.11.03; 26.11.13

(511)
 16 – Printed publications and printed matter, namely, trading cards, stickers, decals, post cards, note cards, memo pads, pens, pencils, 3-ring binders, folders, wire-bound notebooks, portfolio notebooks, unmounted and mounted photographs, posters, calendars, bumper stickers, book covers, wrapping paper, guide books and reference books for basketball, stationery, and newsletters, pamphlets, and magazines in the field of basketball.

25 – Clothing, namely, t-shirts, shirts, polo shirts, sweatshirts, sweatpants, pants, tank tops, jerseys,

shorts, pajamas, sport shirts, rugby shirts, sweaters, belts, ties, hats, caps, visors, warm-up suits, jackets, parkas, coats, head bands, wrist bands; sandals, footwear, socks.

(260) AM 2021 112554 A
 (800) 1585577
 (151) 2020 12 16
 (891) 2020 12 16
 (731) DAW SE
 Rossdörfer Str. 50, 64372 Ober-Ramstadt,
 Germany
 (540)



(591) Black, violet, blue, green, yellow, orange, red
 (531) 26.04.05; 26.04.12; 26.04.24; 26.11.07;
 26.11.09; 29.01.15

(511)
 1 – Industrial chemicals; preservative and damp-proofing preparations for masonry, roofing tiles, cement and concrete, except paints and oils; artificial resins, synthetic resins and unprocessed plastics; solvents (chemicals); solvents for varnishes and lacquers; adhesives used in industry; adhesives for wallpaper; adhesives used in building; filler for the treatment of subsurfaces for paints (not included in other classes).

2 – Paints; varnishes; lacquers; glazes; coatings; preservatives against rust; primers; colorants; dyestuffs; dye pastes; mordants; paint thickeners; fixatives for paints; siccatives for paints; raw natural resins; thinning and binding preparations for paints, lacquers and coatings; solvents for thinning paints; preparations for preserving wood; wood mordants and wood preserving oils; paints, including structuring paints; bactericidal and/or fungicidal paints; anti-corrosion preparations; protective preparations for metals; metals in foil and powder form for painters, decorators, printers and artists.

6 – Building materials of metal or mainly of metal; expanded pierced metal; wire cloths of metal or mainly of metal; adjusting and levelling parts of metal or mainly of metal for building purposes; screws, pins, and bolts (of metal or mainly of metal); spacers of metal or mainly of metal for building purposes; fixing anchors of metal or mainly of metal for building; sills of metal or mainly of metal; window sills of metal and components of metal for window sills.

7 – Machine tools, all for paint works and builder; hand-held tools, other than hand-operated, all for pa-

int works and builder; mixing machines for paints, lacquers and coatings; compressed air guns for the extrusion of mastics; spray guns for paints, lacquers and plaster; painting machines, coating machines for lacquers and plaster.

8 – Hand tools and implements (hand-operated), all for painting; hand tools and implements (hand-operated), namely special-purpose tools and implements for facade claddings and coatings; hand-operated gluing apparatus, hand-operated stirring apparatus (tools), hand operated guns for the extrusion of mastics; hand-operated spray guns for applying sealing compounds; hand-operated spray guns for spraying paints, lacquers and plaster.

9 – Scientific, research, navigation, surveying, photographic, cinematographic, audiovisual, optical, weighing, measuring, signalling, detection, testing, inspecting, life-saving and teaching apparatus and instruments; apparatus and instruments for conducting, switching, transforming, accumulating, regulating or controlling the distribution or use of electricity; apparatus and instruments for recording, transmitting, reproducing or processing sound, images or data; recorded and downloadable media; software; blank digital or analogue recording and storage media; computers and computer peripheral devices; mobile apps.

16 – Paper, cardboard; printed matter; catalogues; brochures; prospectuses; stickers (stationery); photographs; stationery; adhesives for stationery or household purposes; artists' materials; materials for painters and upholsterers, namely, paintbrushes, brushes, paint rollers, painters' rollers, paint trays, spin grid, paint and dirt protection paper; marking chalk; chalk holders; rulers; teaching materials (except apparatus); packaging materials; color and/or sample cards, color and/or sample fans, color and/or sample card collections, color and/or sample boards, color and/or sample board collections; colored paper.

17 – Sealing, thermal protection and insulating materials; insulating paints, insulating varnishes, insulating fabrics, insulating plaster; substances for insulating buildings against moisture; artificial and synthetic resins (semi-finished products); fabrics for building insulation; insulating tapes; heat insulators; insulating panels; grid mats of glass fiber fabric and/or plastics, in the form of parts for composite heat insulation systems; plastic films, other than for wrapping purposes; adhesive tapes and strips for building.

19 – Building materials, not of metal or mainly not of metal, in particular profile rails and corner irons, finishing profiles; adjusting and levelling parts, spacers for building, sills, all not of metal or mainly not of metal; natural and artificial stone; mortar (building materials); quartz; plaster [building materials]; coatings (building materials); wall and ceiling panels (not of metal or mainly not of metal, for building); fabric embed-

ding compounds for building; fillers (building materials); fabrics for building, not of metal or mainly not of metal, in particular stabilising fabrics.

20 – Fixing materials (not of metal or mainly not of metal), in particular fixing anchors for building; bolts, plugs, pins, screws, nuts, not of metal or mainly not of metal.

24 – Textile wall hangings; non-woven fabrics; fabrics for textile use.

27 – Wall hangings (non-textile), even structuring in connection with paints; wallpaper; floor coverings.

35 – Advertising, marketing and sales promotion; business management; administrative services; commercial information and advice for consumers in the choice of products and services; import and export agency services, as well as wholesaling and retailing services, including via the Internet, in the fields of: chemicals, paints, machines, tools and metal hardware, construction articles, building materials, DIY articles and gardening articles, craft supplies, electric goods and electronic goods, sound recording carriers and data carriers; import and export agency services, as well as wholesaling and retailing services, including via the Internet, in the fields of: apparatus for sanitary purposes, printed matter, stationery, office requisites, furnishings and decorative articles, tents, awnings, wall hangings, agricultural products, horticultural products and forestry products.

37 – Painting, in particular tinting of paints; constructions; construction consultancy; building insulating; scaffolding; wallpapering; consultancy with regard to the use of paints, plasters and other coating materials in the construction industry.

39 – Transport; packaging and storage of goods; rental of units, silos and containers for storage and transport.

42 – Architectural services; consultancy in the field of energy-saving; architectural consultancy with regard to the interior and exterior colour designing for buildings (buildings and constructions); IT services, namely development, programming, updating and implementation of software; hosting services, software as a service (SaaS) and rental of software; IT consultancy, advisory and information services; design services; software design and software development; consultancy relating to the aforesaid services.

(260) AM 2021 112562 A

(800) 1585782

(151) 2021 02 15

(891) 2021 02 15

(731) Individual entrepreneur Khohlov Dmitriy

Leonidovich

ul. Urzhumskaya, d. 3, korp. 4, kv. 234,

RU-129343 Moscow, Russian Federation

(540)



(591) Black and pink

(531) 16.03.13; 27.01.16; 27.05.01; 29.01.12

(526) MUST HAVE

(511)

3 – Abrasives; amber [perfume]; descaling preparations for household purposes; antistatic preparations for household purposes; aromatics [essential oils]; air fragrancing preparations; cake flavorings [essential oils]; flavorings for beverages [essential oils]; food flavorings [essential oils]; breath freshening sprays; canned pressurized air for cleaning and dusting purposes; balms, other than for medical purposes; basma [cosmetic dye]; lip glosses; nail glitter; polishing stones; abrasive paper; emery paper; polishing paper; petroleum jelly for cosmetic purposes; shoe polish; cobblers' wax; cotton wool for cosmetic purposes; sachets for perfuming linen; drying agents for dish-washing machines; adhesives for cosmetic purposes; scented water; Javelle water; lavender water; toilet water; wax for parquet floors; floor wax; non-slipping wax for floors; depilatory wax; mustache wax; creams for leather; polish for furniture and flooring; shoemakers' wax; polishing wax; tailors' wax; massage gels, other than for medical purposes; heliotropine; dental bleaching gels; geraniol; make-up; deodorants for pets; deodorants for human beings or for animals; depilatory preparations; air fragrance reed diffusers; scented wood; perfumes; non-slipping liquids for floors; windshield cleaning liquids; greases for cosmetic purposes; volcanic ash for cleaning; perfumery; decorative transfers for cosmetic purposes; ionone [perfumery]; shaving stones [astringents]; smoothing stones; eyebrow pencils; cosmetic pencils; silicon carbide [abrasive]; carbides of metal [abrasives]; alum stones [astringents]; tripoli stone for polishing; adhesives for affixing false eyelashes; adhesives for affixing false hair; hair conditioners; quillaia bark for washing; corundum [abrasive]; beard dyes; colorants for toilet purposes; cosmetic dyes; laundry starch; laundry glaze; shoe cream; polishing creams; cosmetic creams; skin whitening creams; polishing rouge; incense; hair spray; nail polish; hair lotions; lotions for cosmetic purposes; after-shave lotions; beauty masks; oils for cleaning purposes; oils for perfumes and scents; oils for cosmetic purposes; oils for toilet purposes; essential oils; essential oils of cedarwood; essential oils of lemon; essential oils of citron; bergamot oil; gaultheria oil; jasmine oil; lavender oil; almond oil; rose oil; oil of turpentine for degreasing; whiting; cleaning chalk; almond milk for cosmetic purposes; cleansing milk for toilet purposes; musk [perfumery]; soap; deodorant soap; shaving soap; soap for brightening texti-

le; cakes of toilet soap; antiperspirant soap; soap for foot perspiration; almond soap; mint for perfumery; cosmetic kits; emery; gel eye patches for cosmetic purposes; nail art stickers; false nails; eau de Cologne; bases for flower perfumes; joss sticks; pastes for razor strops; non-medicated dentifrices; pumice stone; lipstick cases; hydrogen peroxide for cosmetic purposes; breath freshening strips; teeth whitening strips; abrasive cloth; glass cloth [abrasive cloth]; lipsticks; pomades for cosmetic purposes; breath freshening preparations for personal hygiene; shaving preparations; bath preparations, not for medical purposes; cosmetic preparations for baths; hair straightening preparations; hair waving preparations; laundry soaking preparations; grinding preparations; smoothing preparations [starching]; color-removing preparations; leather bleaching preparations; polishing preparations; denture polishes; mouthwashes, not for medical purposes; cosmetic preparations for slimming purposes; starch glaze for laundry purposes; preparations to make the leaves of plants shiny; eye-washes, not for medical purposes; fabric softeners for laundry use; laundry bleach; dry-cleaning preparations; paint stripping preparations; lacquer-removing preparations; make-up removing preparations; floor wax removers [scouring preparations]; varnish-removing preparations; rust removing preparations; nail care preparations; cleaning preparations; preparations for cleaning dentures; wall-paper cleaning preparations; preparations for unblocking drain pipes; chemical cleaning preparations for household purposes; collagen preparations for cosmetic purposes; bleaching preparations [decolorants] for household purposes; laundry preparations; aloe vera preparations for cosmetic purposes; sunscreen preparations; color-brightening chemicals for household purposes [laundry]; shining preparations [polish]; make-up powder; diamantine [abrasive]; stain removers; nail varnish removers; vaginal washes for personal sanitary or deodorant purposes; scouring solutions; false eyelashes; tissues impregnated with cosmetic lotions; tissues impregnated with make-up removing preparations; baby wipes impregnated with cleaning preparations; safrol; massage candles for cosmetic purposes; laundry blueing; turpentine for degreasing; potpourris [fragrances]; bleaching soda; washing soda, for cleaning; bath salts, not for medical purposes; bleaching salts; fumigation preparations [perfumes]; preservatives for leather [polishes]; ammonia [volatile alkali] [detergent]; astringents for cosmetic purposes; eyebrow cosmetics; make-up preparations; sun-tanning preparations [cosmetics]; hair dyes; neutralizers for permanent waving; cosmetic preparations for eyelashes; cosmetic preparations for skin care; shoe wax; cosmetics; cosmetics for children; cosmetics for animals; mascara; detergents, other than for use in manufacturing operations and for medical purposes; cleansers for intimate personal hygiene purposes, non medicated; douching preparations for personal sanitary or deodorant purposes [toiletries]; degreasers, other

than for use in manufacturing processes; bleaching preparations [decolorants] for cosmetic purposes; toiletry preparations; antiperspirants [toiletries]; phyto-cosmetic preparations; talcum powder, for toilet use; cotton swabs for cosmetic purposes; terpenes [essential oils]; emery cloth; cloths impregnated with a detergent for cleaning; henna [cosmetic dye]; shampoos; shampoos for animals [non-medicated grooming preparations]; shampoos for pets [non-medicated grooming preparations]; dry shampoos; sandpaper; soda lye; herbal extracts for cosmetic purposes; extracts of flowers [perfumes]; ethereal essences; badian essence; mint essence [essential oil].

(260) AM 2021 112564 A

(800) 974895

(151) 2008 06 05

(891) 2021 03 22

(731) HERMES Fabrik pharm. Präparate, Franz

Gradinger GmbH & Co.

Georg-Kalb-Str. 5-8, 82049

Großhesselohe/München, Germany

(540)

BIOLECTRA

(591) Black, white

(511)

5 – Medicines; pharmaceutical and veterinary preparations; pharmaceutical preparations for supplementing food; preparations for health care; dietetic substances adapted for sanitary purposes, in particular with added vitamins; vitamin, mineral and trace element preparations, and combinations thereof; medicinal plant-based preparations in the form of herbal teas and preparations made from plant extracts and combinations thereof; food supplements adapted for medical use and not adapted for medical use, included in this class, including food supplements based on vitamins, minerals or trace elements or combinations thereof, including the aforesaid goods, where possible, in the form of effervescent tablets and for making non-alcoholic beverages.

29 – Food supplements not adapted for medical use, included in this class.

30 – Plant-based preparations in the form of herbal teas, and preparations made from plant extracts and combinations thereof, not for medical; food supplements not adapted for medical use, included in this class; including the aforesaid goods, where possible, in the form of effervescent tablets and other preparations for making non-alcoholic drinks.

32 – Mineral and aerated waters and other non-alcoholic drinks; Effervescent tablets and other preparations for making non-alcoholic beverages.

(260) AM 2021 112565 A

(800) 1146723

(151) 2012 11 09

(891) 2021 02 01

(731) SIGFOX

425 rue Jean Rostand, F-31670 LABEGE,

France

(540)

SIGFOX

(591) Black, white

(511)

9 – Scientific (other than for medical use), nautical, surveying, photographic, cinematographic, optical, weighing, measuring, signaling, checking (inspecting), life-saving and teaching apparatus and instruments and apparatus; apparatus for broadcasting, recording, transmitting or reproducing sound, data or images; magnetic recording media, and electronic; data processing apparatus, computers, computer memories, modems, magnetic tapes, fax machines, optical or magnetic media for information, electrical cables, digital optical discs, keyboards, circuit boards, printed circuit boards, recorded memory cards, electronic circuit cards, electronic identification cards, software, software packages, computer terminals, video monitors, computer printers, electronic machines with a keyboard and/or screen, input or output media, magnetic and optical discs; apparatus for collecting, reading out, storing, converting, processing, inputting, broadcasting, transmitting data, information and signals; apparatus for the transmission of data and signals by telephone, fax, telegraph, teletype, telex, cable, satellite or any means of communication; telecommunication and radio communication apparatus, mobile phones and fixed telephones, answering machines; media for recording and reproducing sound, images or signals; telecommunication transmitters and receivers.

38 – Telecommunications, namely the transmission of information accessible by any means of telecommunication; secure data transmission services; communications by computer terminals, telephone communications; transmission of telephone, television, radio information; transmission and reception of information by telex, Internet, satellite, cable, broadcasting, and by any means of communication; Message transmission, of encoded images; data transmission services, in particular packet transmission of information and images, electronic mail and paging services, mailing and transmission of dispatches, exchange of computerized documents, electronic information exchanges; telephone enquiry services for telecommunications, telephone call transfer or telecommunications services; services for transmitting replies on an online interactive electronic service on a telecommunications network; electronic information dissemination services for global communication networks or private or restricted-access networks; computer-assisted downloading

(transmission) of data, messages and images; providing access to a global computer network; providing access to databases; provision of access to search engines; electronic mail services on a telecommunications network; rental of telecommunication apparatus and installations; technical consulting and advice in the field of telecommunications; transmission and reception of data, signals, images and information processed by computers or telecommunication apparatus; mobile telecommunications network services; administration, supervision and definition of telecommunications networks; rental of access time to a database server center.

(260) AM 2021 112566 A
 (800) 1234484
 (151) 2014 10 02
 (891) 2021 03 15
 (731) FINANCIERA MADERERA, S.A.
 Formaris, s/n, E-15707 Santiago de Compostela
 (A Coruña), Spain
 (540)

FINFLOOR

(591) Black, white
 (511)
 19 – Non-metallic building materials, non-metallic floors, wooden floors, parquet floors of wood, laminated floors of wood and derived wood products, floor coverings of wood as well as derived wood products, floor coverings not of metal, coverings for building not of metal, vinyl siding (building materials), non-metallic materials for floors, non-metallic floor panels, floor boards of wood.

(260) AM 2021 112572 A
 (800) 1557540
 (151) 2020 08 18
 (891) 2021 02 26
 (731) Mylan Inc.
 1000 Mylan Boulevard, Canonsburg PA 15317,
 USA
 (540)



(591) The color(s) Blue, purple, yellow is/are claimed as a feature of the mark
 (531) 01.05.02; 01.15.23; 29.01.13
 (511)
 5 – Pharmaceutical preparations for the treatment of cardiovascular, gastrointestinal, neurological, respiratory, psychiatric, allergic, dermatological, pulmonary, metabolic, muscular, erectile dysfunction, infectious and inflammatory conditions, cancer, diabetes, multiple sclerosis; oral and transdermal contraceptives.

10 – Medical fluid injectors.

44 – Providing information relating to diagnostic, prophylactic and therapeutic properties of pharmaceuticals.

(260) AM 2021 112643 A
 (800) 1586500
 (151) 2021 03 08
 (891) 2021 03 08
 (731) Becton, Dickinson and Company
 1 Becton Drive, MC 090, Franklin Lakes
 NJ 07417, USA
 (540)

BD CELLVIEW

(591) Black, white
 (511)
 9 – Laboratory flow cytometer.

(260) AM 2021 112644 A
 (800) 1586507
 (151) 2021 01 18
 (891) 2021 01 18
 (731) ZHEJIANG V-BRIGHT AUTO FITTINGS
 CO. LTD
 International Auto and Motorcycle, Parts
 Industrial Zone, Ruian, Wenzhou, Zhejiang,
 China
 (540)



(591) Black, white
 (531) 26.11.02; 26.11.12; 27.05.02; 28.03
 (511)
 7 – Ignition coils for automotive engines; igniting devices for internal combustion engines; oil filters; radiators [cooling] for automobile engines; motors, electric, other than for land vehicles; dynamos; regulating valve; oil pumps for automobile; steam/oil separators; bearings [parts of machines].

(260) AM 2021 112645 A
 (800) 1586542
 (151) 2020 08 25
 (891) 2020 08 25
 (731) ELEKTRO KALORİ PAZARLAMA VE
 TİCARET ANONİM ŞİRKETİ
 Kemankeş Karamustafa Paşa Mahallesi,
 Murakıp Sokak, No:18/1, Beyoğlu, İstanbul,
 Turkey

(540)



(591) Yellow, orange and black

(531) 26.11.07; 27.05.10; 29.01.13

(526) elektro

(511)

11 – Lighting installations; lights for vehicles and interior-exterior spaces; heating installations using solid, liquid or gas fuels or electricity, central heating boilers, boilers for heating installations, radiators [heating], heat exchangers, not parts of machines, stoves, kitchen stoves, solar thermal collectors [heating]; steam, gas and fog generators, steam boilers, other than parts of machines, acetylene generators, oxygen generators, nitrogen generators; installations for air-conditioning and ventilating; cooling installations and freezers; electric and gas-powered devices, installations and apparatus for cooking, drying and boiling, cookers, electric cooking pots, electric water heaters, barbecues, electric laundry driers; hair driers; hand drying apparatus; sanitary installations, taps [faucets], shower installations, toilets [water-closets], shower and bathing cubicles, bath tubs, toilet seats, sinks, wash-hand basins [parts of sanitary installations]; washers for water taps; water softening apparatus; water purification apparatus; water purification installations; waste water purification installations; electric bed warmers and electric blankets, not for medical use; electric pillow warmers; electric or non-electric footwarmers; hot water bottles; socks, electrically heated; filters for aquariums and aquarium filtration apparatus; industrial type installations for cooking, drying and cooling purposes; pasteurizers and sterilizers.

37 – Construction services, rental of construction machines and equipment; cleaning services for buildings (interior and exterior), public areas, industrial premises; disinfecting, vermin exterminating services, other than for agriculture, rental of cleaning machines and equipment; vehicles service stations for land vehicles, maintenance, repair and refueling of land vehicles; vehicles service stations for marine vehicles, maintenance, repair and refueling of marine vehicles; repair and maintenance of air vehicles; upholstering, repair and restoration of furniture; installation, maintenance and repair of heating, cooling and sanitary installations; cleaning, care and repair of clothing; installation, maintenance and repair of industrial machines and equipment, office machines and equipment, communication apparatus, electric and electronic appliances; repair and maintenance of lifts; clock and watch repair; mining services (term considered too vague by the International Bureau – Rule 13 (2) (b) of the Regulations) and mining extraction; repair of shoes, bags and belts.

(260) AM 2021 112646 A

(800) 1586604

(151) 2021 02 10

(891) 2021 02 10

(731) EGT Interactive

159 Tsarigradsko Shose Blvd., Fl. 10, BG-1784
Sofia, Bulgaria

(540)



(591) Black, white, purple, light blue, pink

(531) 01.15.09; 26.11.14; 26.11.25; 27.05.02;
27.05.24; 27.07.03; 29.01.15

(511)

9 – Computer software for the administration of on-line games and gaming, namely computer software for the playing of online slot games; computer application software featuring games and gaming, namely computer application software for the playing of online slot games; betting software, namely betting software for the playing of online slot games; gaming software that generates or displays wager outcomes of gaming machines, namely gaming software that generates or displays wager outcomes of online slot games.

28 – Gaming machines for gambling; slot machines [gaming machines].

41 – Providing of casino and gaming facilities, namely providing online slot games; betting services, namely providing online slot games.

(260) AM 2021 112647 A

(800) 1586611

(151) 2021 01 29

(891) 2021 01 29

(731) Kartalova Marina Vitalievna

ul. Trifonova, d. 22, kv. 133, RU-634050
Tomsk, Russian Federation

(540)

KARTALIN

(591) Black, white

(511)

5 – Pharmaceutical preparations; veterinary preparations; sanitary preparations for medical purposes; dietary supplements for animals; nutritional supplements.

(260) AM 2021 112655 A

(800) 1586871

(151) 2020 11 30

(891) 2020 11 30

(731) Cornelis Buijsen

Turnhoutsebaan 50 bus 3, B-2400 Mol,
Belgium

(540)

SENUVERSITY

(591) Black, white

(511)

9 – Downloadable digital content being digital courses; computer software products; software applications; electronic databases.

16 – Printed matter, books, leaflets, scientific books, student courses on paper as well as leaflets and periodicals to promote university education and research; academic teaching aids and other teaching materials (except devices).

35 – Advertising; business management services; business administration services; office functions; business organizational and business economics advice; economic research; distribution of advertising articles and merchandising also via an online shop, preparation of advertising and promotional material for third parties also via electronic means; marketing, marketing research and analysis, copying of documents; research and advice in the field of public administration and business administration; recruiting internships; recruiting students; advice on data processing.

41 – Education, training, study advice in the context of student counseling; university education services; publishing and dissemination of courses for university students and of scientific publications for the disclosure and promotion of research conducted at the university; university library services; sports and cultural activities organized from the university; organizing lectures, seminars, courses and conferences of an educational, cultural or academic nature; information with an educational character [education]; entertainment services; organization of events for entertainment purposes; recreation activities.

43 – Temporary housing, including housing for the elderly and people with a physical or mental illness or disability; services for providing food and drink; retirement homes; temporary housing, including so-called care hotels for the elderly and the needy; catering services; catering and meals at home; services of hotels, restaurants, grand cafes, cafes; making temporary accommodations available; delivery and provision of dishes and meals [catering] in the context of community care services and mobile meal care; welcoming and caring for guests [provision of food and drinks]; cooking or heating dishes and meals [catering].

44 – Nursing home services; nursing and care services and home nursing and home care services; medical services; occupational therapy and rehabilitation; nursing, care and treatment of persons in the context of home help and home care; nursing homes, care homes; medical care; psychogeriatrics services; services of psychologists; services of psychotherapists; services of occupational therapists; medical and personal care services provided by so-called residential / care complexes; physical and personal care services, including in the context of home care and medical care at

home; first aid services for the elderly and the sick; advice in the field of health care, youth health care and home care; sick care and nursing, also at home; lending and renting equipment in the medical and / or nursing field for home nursing and home care; services rendered by a dietician; nutrition and diet information; services of a medical clinic; nursing home services; health care services; lending and renting out medical and / or nursing equipment for home nursing and home care; services of physiotherapists and other therapists; services of doctors; nursing services; 24-hour nursing assistance; paramedical services; care and nursing of the sick and dependent; health care services; curative care; preventive care; nursing and care home services; services in the field of hygiene and beauty care for people; services of a beauty salon, hair salon, sauna, manicure and pedicure; massage; renting and lending medical and nursing equipment and instruments for health care and home nursing; providing information and advice on care for the sick, home care, health care; elderly care; services in the field of (home) nursing and (home) care; advice in the field of (youth) health care and home care; sick care and nursing, also at home; lending and hiring of equipment in the medical and / or nursing field for home nursing and care; services of physiotherapists and other therapists.

45 – Dating services; dating agency services; companionship services for the elderly and dependent on care.

(260) AM 2021 112656 A

(800) 1586939

(151) 2021 03 08

(891) 2021 03 08

(731) Becton, Dickinson and Company

1 Becton Drive, Franklin Lakes NJ 07417, USA

(540)

BD FACSDiscover

(591) Black, white

(511)

9 – Laboratory cell analyzer, cell separator.

(260) AM 2021 112742 A

(800) 1587059

(151) 2021 03 09

(891) 2021 03 09

(731) Rosier S.A.

Route de Grandmetz 11A, B-7911 Moustier,
Belgium

(540)



(591) Blue, green, white
 (531) 26.02.07; 26.07.04; 26.11.12; 27.05.01;
 29.01.12

(511)
 1 – Fertilisers, and chemicals for use in agriculture, horticulture and forestry; manures; industrial nitrogen products; nitrogenous fertilisers; raw materials for manures; mineral fertilising preparations; soil additives; ammonia; ammonium nitrate; urea fertilizer; nitric acid.

(260) AM 2021 112743 A
 (800) 1587074
 (151) 2021 02 18
 (891) 2021 02 18
 (731) Bahlsen GmbH & Co. KG
 Podbielskistraße 11, 30163 Hannover,
 Germany

(540)



(591) Blue and brown
 (531) 08.01.11; 08.01.21; 29.01.12
 (511)

29 – Meat; fish, not live; poultry, not live; game, not live; meat extracts; frozen fruits; fruit, preserved; dried fruit; fruit, stewed; frozen vegetables; vegetables, preserved; vegetables, dried; vegetables, cooked; jellies for food; jams; compotes; eggs; milk; milk products; oils for food; edible fats; potato snacks; raisins; dried nuts; roasted nuts; salted nuts; spiced nuts; dried fruit products; fat-containing mixtures for bread slices; yoghurt; dairy products and dairy substitutes.

30 – Cocoa; sugar; rice; tapioca; sago; flour; cereal preparations; bread; pastries; chocolate confectionery containing pralines; snack foods consisting principally of confectionery; chocolate for confectionery and bread; non-medicated confectionery in jelly form; chocolate candies; flour confectionery; prepared desserts [confectionery]; confectionery items coated with chocolate; candy coated confections; truffles [confectionery]; edible ices; honey; golden syrup; yeast; baking powder; salt; mustard; vinegar; sauces [condiments]; spices; ice for refreshment; biscuits; aperitif biscuits; rolled wafers [biscuits]; cakes; chocolate; chocolate based products; candy bars; chocolates; bonbons made of sugar; sweetmeats [candy]; marzipan; extruded food products made of wheat; extruded food products made of rice; extruded food products made of maize; popcorn; waffles; coffee; tea; artificial coffee.

41 – Entertainment services; sporting activities; cultural activities.

(260) AM 2021 112752 A
 (800) 1587626
 (151) 2021 01 15
 (891) 2021 01 15
 (731) IREST HEALTH SCIENCE AND
 TECHNOLOGY CO., LTD
 No.468 Shibali East Road, Daqiao Town,
 Nanhu District, Jiaxing, Zhejiang Province,
 China
 (540)

iRest

(591) Black, white
 (531) 27.05.01; 27.05.09; 27.05.10
 (511)

20 – Furniture; cable or pipe clips of plastics; mirrors [looking glasses]; bamboo weaved works of art; unworked or partly worked horn, animal teeth, shell; beds for household pets; furniture fittings, not of metal; bedding [except linen]; curtain rings; indoor window blinds [shades] [furniture].

28 – Game machines; toys; ball for games; body-building apparatus; physical exercises (machines for –); chess [games]; plastic race track; roller skates; fishing tackle.

(260) AM 2021 112753 A
 (800) 1587628
 (151) 2021 02 12
 (891) 2021 02 12
 (731) HOLISTIC HEALTH, INC.
 9070 GLEANNLOCH FOREST DRIVE,
 SUITE 100, SPRING TX 77379, USA
 (540)



(591) Black, white
 (531) 26.01.18; 26.05.01; 27.05.01
 (511)

41 – Entertainment services, namely, an on-going series featuring fitness, sports and exercise provided through internet, providing information in the fields of fitness, sports and exercise via a website; online publication of journals in the fields of fitness, sports and exercise; entertainment services via podcasts in the fields of fitness, sports and exercise; educational services, namely, conducting lectures, seminars and workshops in the fields of fitness, nutrition, sports and exercise; entertainment in the nature of competitions

in the field of fitness; entertainment in the nature of sports competitions; fitness training.

(260) AM 2021 112754 A

(800) 1587632

(151) 2020 12 30

(891) 2020 12 30

(731) GEN İLAÇ VE SAĞLIK ÜRÜNLERİ,
SANAYİ VE TİCARET ANONİM ŞİRKETİ
Mustafa Kemal Mahallesi 2119., Sokak No: 3
D: 2-3, TR-06520 Çankaya Ankara, Turkey

(540)



(591) Dark Turquoise (Pantone 7476 C) and Flame Red (Pantone 172 C)

(531) 26.11.12; 26.15.25; 29.01.12

(511)

5 – Pharmaceuticals, medical and veterinary preparations; sanitary preparations for medical purposes; dietetic food and substances adapted for medical or veterinary use, food for babies; dietary supplements for human beings and animals; plasters, materials for dressings; material for stopping teeth, dental wax; disinfectants; preparations for destroying vermin; fungicides, herbicides.

(260) AM 2021 112755 A

(800) 1587641

(151) 2020 12 30

(891) 2020 12 30

(731) GEN İLAÇ VE SAĞLIK ÜRÜNLERİ
SANAYİ VE TİCARET ANONİM ŞİRKETİ
Mustafa Kemal Mahallesi 2119., Sokak No: 3
D: 2-3, TR-06520 Çankaya Ankara, Turkey

(540)



(591) Claret red (Pantone 1955 C), grey (Pantone Black 7 C) and grey (Pantone Cool Grey 8 C)

(531) 15.09.11; 24.13.09; 27.03.15; 27.05.01;
29.01.12

(511)

5 – Pharmaceuticals, medical and veterinary preparations; sanitary preparations for medical purposes; dietetic food and substances adapted for medical or veterinary use, food for babies; dietary supplements for human beings and animals; plasters, materials for dressings; material for stopping teeth, dental wax; di-

sinfectants; preparations for destroying vermin; fungicides, herbicides.

10 – Surgical, medical, dental and veterinary apparatus and instruments; artificial limbs, eyes and teeth; orthopaedic articles; suture materials; therapeutic and assistive devices adapted for persons with disabilities; massage apparatus; apparatus, devices and articles for nursing infants; sexual activity apparatus, devices and articles.

(260) AM 2021 112756 A

(800) 1587654

(151) 2020 08 14

(891) 2020 08 14

(731) ARSAN KIMYA SANAYİ VE TİCARET
ANONİM ŞİRKETİ
Yakuplu Mahallesi, 59. Sokak, No: 41/1,
Beylikdüzü, İstanbul, Turkey

(540)



ULTRA COMPACT.

(591) Dark blue

(531) 05.01.16; 26.11.13; 27.05.01; 29.01.04

(511)

3 – Bleaching and cleaning preparations, detergents other than for use in manufacturing operations and for medical purposes, laundry bleach, fabric softeners for laundry use, stain removers, dishwasher detergents; perfumery; cosmetics (except medicated cosmetics); fragrances; deodorants for personal use and animals; soaps (except medicated soap); dental care preparations, dentifrices, denture polishes, tooth whitening preparations, mouth washes, not for medical purposes; abrasive preparations; emery cloth; sandpaper; pumice stone; abrasive pastes; polishing preparations for leather, vinyl, metal and wood, polishes and creams for leather, vinyl, metal and wood, wax for polishing.

5 – Pharmaceutical and veterinary preparations for medical purposes; chemical preparations for medical and veterinary purposes, chemical reagents for pharmaceutical and veterinary purposes, radioactive substances for medical and veterinary purposes; medicated cosmetics; dietary supplements for pharmaceutical and veterinary purposes; dietary supplements for human consumption; dietary supplements for animals; nutritional supplements; medical preparations for slimming purposes; food for babies; herbs and herbal beverages adapted for medicinal purposes; dental preparations and articles, teeth filling material, dental impression material, dental adhesives and material for repairing teeth; sanitary preparations for medical use;

hygienic pads; hygienic tampons; plasters; materials for dressings; diapers, including those made of paper and textiles; babies diapers of paper; babies diapers of textile, babies napkins of paper, adult diapers of paper, adult diapers of textile, diapers for pets; preparations for destroying vermin; fungicides, herbicides; rodenticides; deodorants, other than for human beings or for animals; air deodorising preparations; disinfectants; antiseptics; detergents for medical purposes; medicated soap, disinfectant soap, antibacterial hand lotions.

16 – Paper and cardboard; paper and cardboard for packaging and wrapping purposes, cardboard boxes; paper towels; toilet paper; paper napkins; plastic materials for packaging and wrapping purposes; printing blocks and types; bookbinding material; printed publications; printed matter; books, magazines, newspapers, bill books, printed dispatch notes, printed vouchers, calendars; posters; photographs [printed]; paintings; stickers [stationery]; postage stamps; stationery, office stationery, instructional and teaching material [except furniture and apparatus]; writing and drawing implements; artists' materials; paper products for stationery purposes; adhesives for stationery purposes, pens, pencils, erasers, adhesive tapes for stationery purposes, cardboard cartons [artists' materials], writing paper, copying paper, paper rolls for cash registers, drawing materials, chalkboards, painting pencils, watercolors [paintings]; office requisites; paint rollers and paintbrushes for painting.

(260) AM 2021 112777 A

(800) 1207436

(151) 2014 01 29

(891) 2021 03 15

(731) VBAND LLC

1120 20th Street, NW, Suite S-300,
Washington, DC 20035, USA

(540)



(591) Black, white

(531) 27.05.22

(511)

5 – Pharmaceutical and veterinary preparations; sanitary preparations for medical purposes; dietetic food and substances adapted for medical or veterinary use, food for babies; dietary supplements for humans and animals; plasters, materials for dressings; material for stopping teeth, dental wax; disinfectants; preparations for destroying vermin; fungicides, herbicides; absorbent cotton; acaricides; acetates for pharmaceutical

purposes; acids for pharmaceutical purposes; aconitine; adhesive bands for medical purposes; adhesive plasters; adhesives for dentures; adjuvants for medical purposes; air deodorising preparations; air purifying preparations; albumin dietary supplements; albuminous foodstuffs for medical purposes; albuminous preparations for medical purposes; alcohol for pharmaceutical purposes; aldehydes for pharmaceutical purposes; algicides; alginate dietary supplements; alginates for pharmaceutical purposes; alkaline iodides for pharmaceutical purposes; alkaloids for medical purposes; alloys of precious metals for dental purposes; aloe vera preparations for pharmaceutical purposes; aluminium acetate for pharmaceutical purposes; amino acids for medical purposes; amino acids for veterinary purposes; anaesthetics; analgesics; angostura bark for medical purposes; animal washes; anti-rheumatism bracelets; anti-rheumatism rings; anti-uric preparations; antibiotics; anticryptogamic preparations; antioxidant pills; antiparasitic collars for animals; antiparasitic preparations; antiseptic cotton; antiseptics; appetite suppressant pills; appetite suppressants for medical purposes; articles for headache; aseptic cotton; asthmatic tea; babies' diaper-pants; babies' napkins (diapers); bacterial poisons; bacterial preparations for medical and veterinary use; bacteriological culture mediums; bacteriological preparations for medical and veterinary use; balms for medical purposes; balsamic preparations for medical purposes; bandages for dressings; barks for pharmaceutical purposes; bath preparations, medicated; bath salts for medical purposes; belts for sanitary napkins [towels]; bicarbonate of soda for pharmaceutical purposes; biocides; biological preparations for medical purposes; biological preparations for veterinary purposes; biological tissue cultures for medical purposes; biological tissue cultures for veterinary purposes; bismuth preparations for pharmaceutical purposes; bismuth subnitrate for pharmaceutical purposes; blood for medical purposes; blood plasma; bone cement for surgical and orthopaedic purposes; bracelets for medical purposes; breast-nursing pads; bromine for pharmaceutical purposes; bronchodilating preparations; bunion pads; by-products of the processing of cereals for dietetic or medical purposes; cachets for pharmaceutical purposes; cachou for pharmaceutical purposes; calomel; camphor for medical purposes; camphor oil for medical purposes; candy for medical purposes; candy, medicated; capsules for medicines; carbolineum [parasiticide]; casein dietary supplements; castor oil for medical purposes; cattle washes; caustic pencils; caustics for pharmaceutical purposes; cedar wood for use as an insect repellent; cellulose esters for pharmaceutical purposes; cellulose ethers for pharmaceutical purposes; cement for animal hooves; charcoal for pharmaceutical purposes; chemical conductors for electrocardiograph electrodes; chemical contraceptives; chemical preparations for medical purposes; chemical preparations for pharmaceutical purposes; chemical

preparations for the diagnosis of pregnancy; chemical preparations for treating phyloxera; chemical preparations for veterinary purposes; chemical preparations to treat mildew; chemical preparations to treat wheat smut; chemical reagents for medical or veterinary purposes; chemico-pharmaceutical preparations; chewing gum for medical purposes; chilblain preparations; chinoline for medical purposes; chloroform; cinchona for medical purposes; cocaine; cod liver oil; collodion for pharmaceutical purposes; collyrium; compresses; condurango bark for medical purposes; contact lens cleaning preparations; cooling sprays for medical purposes; corn remedies; corn rings for the feet; cotton for medical purposes; cream of tartar for pharmaceutical purposes; creosote for pharmaceutical purposes, croton bark; cultures of microorganisms for medical and veterinary use; curare; decoctions for pharmaceutical purposes; dental abrasives; dental amalgams; dental amalgams of gold, dental cements; dental impression materials; dental lacquer; dental mastics; deodorants for clothing and textiles; deodorants, other than for human beings or for animals; depuratives; detergents for medical purposes; diabetic bread adapted for medical use; diagnostic preparations for medical purposes; diapers for pets; diastase for medical purposes; dietary fiber; dietary supplements for animals; dietetic beverages adapted for medical purposes; dietetic foods adapted for medical purposes; dietetic substances adapted for medical use; digestives for pharmaceutical purposes; digitalin; dill oil for medical purposes; disinfectants for chemical toilets; disinfectants for hygiene purposes; dog lotions; dog washes; douching preparations for medical purposes; dressings, medical; drugs for medical purposes; elixirs [pharmaceutical preparations]; enzyme dietary supplements; enzyme preparations for medical purposes; enzyme preparations for veterinary purposes; enzymes for medical purposes; enzymes for veterinary purposes; ergot for pharmaceutical purposes; esters for pharmaceutical purposes; ethers for pharmaceutical purposes; eucalyptol for pharmaceutical purposes; eucalyptus for pharmaceutical purposes; evacuants; extracts of hops for pharmaceutical purposes; eye-washes; eyepatches for medical purposes; febrifuges; fennel for medical purposes; ferments for pharmaceutical purposes; first-aid boxes, filled; fish meal for pharmaceutical purposes; flowers of sulphur for pharmaceutical purposes; fly catching paper; fly destroying preparations; fly glue; food for babies; formic aldehyde for pharmaceutical purposes; frostbite salve for pharmaceutical purposes; fumigating sticks; fumigation preparations for medical purposes; fungicides, gallic acid for pharmaceutical purposes; gamboge for medical purposes; gases for medical purposes; gauze for dressings; gelatine for medical purposes; gentian for pharmaceutical purposes; germicides; glucose dietary supplements; glucose for medical purposes, glycerine for medical purposes; glycerophosphates; greases for medical purposes; greases for veterinary purposes; guaiacol for

pharmaceutical purposes; gum for medical purposes; gurjun [gurjon, gurjan] balsam for medical purposes; headache pencils; hematogen; hemoglobin; hemorrhoid preparations; hemostatic pencils; herbal teas for medicinal purposes; herbicides; hormones for medical purposes; hydrastine; hydrastinine; hydrated chloral for pharmaceutical purposes; hydrogen peroxide for medical purposes; insect repellent incense; insect repellents; insecticides; iodides for pharmaceutical purposes; iodine for pharmaceutical purposes; iodoform; irish moss for medical purposes; isotopes for medical purposes; jalap; jujube, medicated; lacteal flour for babies; lactose for pharmaceutical purposes; larvae exterminating preparations; laxatives; lead water; lecithin dietary supplements; lecithin for medical purposes; leeches for medical purposes; liniments; linseed dietary supplements; linseed for pharmaceutical purposes; linseed meal for pharmaceutical purposes; linseed oil; dietary supplements; lint for medical purposes; liquorice for pharmaceutical purposes; lotions for pharmaceutical purposes; lotions for veterinary purposes; lozenges for pharmaceutical purposes; lupulin for pharmaceutical purposes; magnesia for pharmaceutical purposes; malt for pharmaceutical purposes; malted milk beverages for medical purposes; mangrove bark for pharmaceutical purposes; meal for pharmaceutical purposes; medical preparations for slimming purposes; medicinal alcohol; medicinal drinks; medicinal hair growth preparations; medicinal herbs; medicinal infusions; medicinal mud; medicinal oils; medicinal roots; medicinal tea; medicine cases, portable, filled; medicines for alleviating constipation; medicines for dental purposes; medicines for human purposes; medicines for veterinary purposes; melissa water for pharmaceutical purposes; menthol; mercurial ointments; milk ferments for pharmaceutical purposes; milk of almonds for pharmaceutical purposes; milking grease; mineral food supplements; mineral water salts; mineral waters for medical purposes; mint for pharmaceutical purposes; molding wax for dentists; moleskin for medical purposes; mothproof paper; mothproofing preparations; mouthwashes for medical purposes; mud for baths; mustard for pharmaceutical purposes; mustard oil for medical purposes; mustard plasters; myrobalan bark for pharmaceutical purposes; napkins for incontinents; narcotics; nervines; nutritional supplements; nutritive substances for microorganisms; oil of turpentine for pharmaceutical purposes; ointments for pharmaceutical purposes; opiates; opium; opodeldoc; opotherapy preparations; oxygen baths; oxygen for medical purposes; pants, absorbent, for incontinents; panty liners [sanitary]; paper for mustard plasters; parasiticides; pearl powder for medical purposes; pectin for pharmaceutical purposes; pepsins for pharmaceutical purposes; peptones for pharmaceutical purposes; personal sexual lubricants; pesticides, petroleum jelly for medical purposes; pharmaceutical preparations; pharmaceutical preparations for skin care; pharmaceutical preparations

for treating dandruff; phenol for pharmaceutical purposes; phosphates for pharmaceutical purposes; poisons; pollen dietary supplements, pomades for medical purposes; porcelain for dental prostheses; potassium salts for medical purposes; poultices; powder of cantharides; preparations for callouses; preparations for destroying dry rot fungus; preparations for destroying mice; preparations for destroying noxious animals; preparations for reducing sexual activity; preparations for the treatment of burns; preparations of lime for pharmaceutical purposes; preparations of trace elements for human and animal use; preparations to facilitate teething; propolis dietary supplements; propolis for pharmaceutical purposes; protein dietary supplements; protein supplements for animals; pyrethrum powder; quassia for medical purposes; quebracho for medical purposes; quinine for medical purposes; radioactive substances for medical purposes; radiological contrast substances for medical purposes; radium for medical purposes; rat poison; reagent paper for medical or veterinary purposes; remedies for foot perspiration; remedies for perspiration; repellents for dogs; rhubarb roots for pharmaceutical purposes; royal jelly dietary supplements; royal jelly for pharmaceutical purposes; rubber for dental purposes; salts for medical purposes; salts for mineral water baths; sanitary pads; sanitary pants; sanitary tampons; sanitary towels; sarsaparilla for medical purposes; scapulars for surgical purposes; sea water for medicinal bathing; sedatives; semen for artificial insemination; serotherapeutic medicines; serums; siccatives [drying agents] for medical purposes; slimming pills; slug exterminating preparations; smelling salts; smoking herbs for medical purposes; sodium salts for medical purposes; soil-sterilising preparations; solutions for contact lenses; solvents for removing adhesive plasters; soporifics; starch for dietetic or pharmaceutical purposes; stem cells for medical purposes, stem cells for veterinary purposes; sterilising preparations; steroids; stick liquorice for pharmaceutical purposes; strychnine; styptic preparations; sugar for medical purposes; sulphonamides [medicines]; sulphur sticks [disinfectants]; sunburn ointments; sunburn preparations for pharmaceutical purposes; suppositories; surgical dressings; surgical implants [living tissues]; surgical tissues; syrups for pharmaceutical purposes; tanning pills; tartar for pharmaceutical purposes; teeth filling material; therapeutic preparations for the bath; thermal water, thymol for pharmaceutical purposes; tincture of iodine; tinctures for medical purposes, tissues impregnated with pharmaceutical lotions; tobacco extracts [insecticides]; tobacco-free cigarettes for medical purposes; tonics [medicines]; turpentine for pharmaceutical purposes, vaccines; vaginal washes; vermifuges; vermin destroying preparations; vesicants; veterinary preparations; vine disease treating chemicals; vitamin preparations; vulnerary sponges; wadding for medical purposes; wart pencils; wheat germ dietary supple-

ments; yeast dietary supplements; yeast for pharmaceutical purposes.

(260) AM 2021 112778 A

(800) 1277057

(151) 2015 07 17

(891) 2021 02 26

(731) Just Eat Holding Limited

Fleet Place House, 2 Fleet Place, Holborn

Viaduct, London EC4M 7RF, United Kingdom

(540)

JUST EAT

(591) Black, white

(511)

35 – Advertising; business management; business administration; office functions; listing restaurant and take away restaurant particulars and menus on the internet (business and commercial information); directory and search services (business and commercial information); restaurant and take away restaurant directory and search services (business and commercial information); opinion polling; restaurant and take away restaurant opinion polling; industry statistics services; restaurant and take away restaurant industry statistics services; internet advertising services; internet advertising services for restaurants and take away restaurants; consumer generated reviews for the purpose of consumer research; consumer generated reviews of restaurants and take away restaurants for the purposes of consumer research; procurement services; order procurement services; order procurement services for restaurants and take away restaurants; market research services; market research services for restaurants and takeaway restaurants; information and advisory services relating to the aforesaid; the bringing together, for the benefit of others, of a variety of take-away restaurant and restaurant services, enabling customers to conveniently view and purchase those services online via an internet website or via a computer software application.

(260) AM 2021 112779 A

(800) 1308772

(151) 2016 04 11

(891) 2021 04 07

(731) AROMATİK KİMYEVİ MADDELER DIŞ

TİCARET LİMİTED ŞİRKETİ

Sanayi Mah. Ensar Cad., Tunahan Sok.

No:42/44, Pendik, İstanbul, Turkey

(540)



(591) Black, white
(531) 26.05.09; 27.05.22
(511)

1 – Unprocessed artificial resins and unprocessed plastics.

2 – Paints; varnishes; thinners and binders for paints; pigments.

(260) AM 2021 112781 A

(800) 1539474

(151) 2020 04 01

(891) 2021 04 07

(731) Nordic Entertainment Group Sweden AB
Box 17104, SE-104 62 Stockholm, Sweden

(540)



(591) Black, violet, red, white

(531) 25.12.03; 26.01.03; 26.01.18; 27.05.01;
29.01.13

(511)

9 – Media content; downloadable motion pictures; downloadable television shows; downloadable series; downloadable digital music; podcasts; animated cartoons; cinematographic films; multi-media recordings; audio and visual recordings; application software for televisions; computer software for entertainment; Video recordings; computer software; software for streaming audiovisual and multimedia content via the internet and global communications networks; software for streaming audiovisual and multimedia content to mobile digital electronic devices; software for searching, organizing, and recommending multimedia content; downloadable computer software applications; downloadable mobile applications; video game software; computer game software; DVDs; virtual reality game hardware and software; computer software for wireless content delivery; computer software for purchasing, accessing, streaming and viewing movies, TV shows, videos, and multimedia content; mobile applications for accessing and streaming audiovisual and multimedia content via the internet and global communications networks; audio and visual recordings featuring music, stories, dramatic performances, non-dramatic performances, live-action entertainment, animated entertainment, learning activities for children, and games; encoded electronic chip cards; magnetically encoded gift cards; television set-top boxes; digital media players; digital media streaming devices.

35 – Advertising; provision and rental of advertising space, time and media; provision of advertising space; rental of advertising space, time and materials; rental of advertising time on communication media; retail services in relation to computer software; retail services in relation to games; retail services in relation to

recorded content; online retail services for downloadable and pre-recorded music and movies.

38 – Telecommunication services; broadcasting services; subscription television broadcasting; pay-per-view television transmission services; audiovisual transmission services; Information services relating to broadcasting; transmission of video data via the Internet; streaming of video material on the internet; streaming of television over the Internet; telephone and mobile telephone services; provision of access to an Internet portal featuring video-on-demand programs; video-on-demand transmission; television broadcasting; broadcasting and transmission of pay-per-view television programs; transmission of television programs; transmission of webcasts.

41 – Education, entertainment and sports; entertainment services; television entertainment; film production services; advisory services relating to entertainment; providing entertainment information; organizing of entertainment competitions; television viewing guide services; production of television entertainment features; provision of radio and television entertainment services; providing user rankings for entertainment or cultural purposes; Entertainment services provided on-line from a computer database or the internet; education, entertainment and sport services; entertainment by film; entertainment services in the form of television programmes; entertainment by IPTV; entertainment services for matching users with audio and video recordings; entertainment services provided by telephone; entertainment services provided by on-line streams; providing films, not downloadable, via video-on-demand services; providing television programmes, not downloadable, via video-on-demand services; Provision of non-downloadable films.

(260) AM 2021 112783 A

(800) 1566509

(151) 2020 10 19

(891) 2021 04 07

(731) KRKA, tovarna zdravil, d.d., Novo mesto
Šmarješka cesta 6, SI-8000 Novo mesto,
Slovenia

(540)

MAYMETSU

(591) Black, white

(511)

5 – Pharmaceutical preparations.

(260) AM 2021 112787 A

(800) 1587998

(151) 2021 03 15

(891) 2021 03 15

(731) Han, Ma Eum

20710 Manhattan Pl., Suite 104,
Torrance CA 90501, USA

(540)

Hydrojelly

(591) Black, white

(511)

3 – Cosmetic masks; cosmetics.

(260) AM 2021 112788 A

(800) 1588008

(151) 2021 03 17

(891) 2021 03 17

(731) Becton, Dickinson and Company

1 Becton Drive, Franklin Lakes NJ 07417,
USA

(540)

**BD HORIZON
REALBLUE**

(591) Black, white

(511)

1 – Reagents for scientific use.

(260) AM 2021 112789 A

(800) 1588030

(151) 2021 02 03

(891) 2021 02 03

(731) "Inter Tobacco", Limited liability company

FEZ "Minsk", Novodvorsky r/c 131, 223016
Minsk District, Minsk Region, Belarus

(540)



(591) Black, white

(531) 24.09.02; 26.04.08; 26.04.09; 26.04.12;

26.04.18; 26.04.24; 27.05.07; 27.05.09;

27.05.11

(511)

34 – Cigarette paper; lighters for smokers; matchboxes; cigarette holders; cigar holders; liquid solutions for use in electronic cigarettes; electronic cigarettes; cigarettes; cigarettes containing tobacco substitutes, not for medical purposes; cigarillos; cigars; matches; tobacco; cigarette filters; cigarette tips; cigarette cases; mouthpieces for cigarette holders; snuff boxes.

(260) AM 2021 112790 A

(800) 1588041

(151) 2021 02 06

(891) 2021 02 06

(731) BEHINEHWAZIN FOOD PRODUCTS AND
PROTEIN COMPANYUnit 10, No. 2, Parvaneh Alley, Jalal Al Ahmad
Highway, Next To Chamran Highway,
1439914173 Tehran, Islamic Republic of Iran

(540)



(591) Blue, green, yellow and red

(531) 05.03.13; 26.01.02; 26.01.20; 27.05.01;

29.01.15

(511)

29 – Olive oil for food; palm kernel oil for food; palm oil for food; margarine; rapeseed oil; corn oil; edible oils; bone oil for food; butter; cocoa butter; coconut butter; peanut butter; buttercream; coconut oil for food; sesame oil; palm oil for food; edible flaxseed oil; clarified butter; oil-based cooking spray; rice bran oil; cooking oil; edible vegetable oils; soya bean oil for food; canola oil; margarine substitute; grapeseed oil for food; animal oils for food; pistachio oil; almond butter; sunflower oil; nut butter; hazelnut oil; blended vegetable oils for food; vegetable oils for food.

(260) AM 2021 112791 A

(800) 1588071

(151) 2021 02 17

(891) 2021 02 17

(731) Green for Growth Fund, Southeast Europe S.A.,
SICAV-SIF14, Boulevard Royal, L-2449 Luxembourg,
Luxembourg

(540)



(591) Blue, green, orange, yellow and black

(531) 26.11.06; 26.11.07; 27.05.10; 29.01.15

(511)

16 – Printed matter; magazines; periodicals; printed publications; educational and teaching materials, except apparatus; stationery.

36 – Financial affairs; monetary affairs; real estate affairs; investment and financing services; raising of finance; financing, provision and arranging of loans; underwriting services; financial investment and financial management services; guarantee services; corporate finance services; financial and investment planning services; advisory, consultancy, information, assistance, analysis and appraisal services relating to the aforesaid services; financial evaluation; fund investments.

41 – Education and instruction; entertainment services; cultural activities; organisation and holding of congresses, conferences, symposia, conventions, seminars, training courses, educational events, workshops; organisation and holding of exhibitions for entertainment, cultural or educational purposes; publication of printed and electronic books, magazines, periodicals and instructional literature; publishing services.

(260) AM 2021 112802 A
(800) 1588297
(151) 2021 01 29
(891) 2021 01 29
(731) Belarusian-German Joint Venture "Santa Bremor" Limited Liability Company
ul. Katin Bor 106, 224025 g. Brest, Belarus
(540)



(591) Red, blue and white
(531) 06.01.02; 24.09.03; 24.09.24; 28.05; 29.01.13
(511)
29 – Meat, poultry and game; meat extracts; preserved, frozen, dried and cooked fruits and vegetables; jellies, jams, compotes; eggs; milk, cheese, butter, yogurt and other milk products; oils and fats for food; fish, not live; fish fillets; fish, tinned; fish-based foodstuffs; fish, preserved; salted fish; herrings, not live; salted herrings; salmon, not live; tuna, not live; sardines, not live; seafood; caviar; crustaceans, not live; crustaceans products; crab meat; crayfish, not live; crab sticks; shrimps, not live; prawns, not live; anchovy, not live; lobsters, not live; oysters, not live; isinglass for food; spiny lobsters, not live; shellfish, not live; mussels, not live; fish meal for human consumption; sea-cucumbers, not live; laver, fried; laver, preserved; fish mousses; fish roe, processed; seaweed extracts for food; fat-containing mixtures for bread slices.

(260) AM 2021 112803 A
(800) 1588377
(151) 2021 02 02
(891) 2021 02 02
(731) Przedsiębiorstwo RANAL Sp. z o.o.
ul. Łódzka 3, PL-42-240 Rudniki, Poland
(540)

ANTIGRAVITEX

(591) Black, white
(511)
2 – Protective preparations for metals, anti-corrosive preparations, anti-rust preparations.

(260) AM 2021 112812 A
(800) 1588556
(151) 2021 02 16
(891) 2021 02 16
(731) Zarrin Barg Persia paper Industries
No 3444, fourth anonymous martyrs street, anonymous martyrs street, Kaveh, industrial city, Taraz Nahid village, central part, Saveh city, Markazi province, Islamic Republic of Iran
(540)

Qlean

کیولین

(591) Black, white
(531) 27.05.11; 28.01
(511)
16 – Paper table napkins; paper towels; towels of paper; disposable paper napkins; paper toilet rolls; cellulose wipes; disposable table napkins of paper; doilies of paper; napkin paper; napkins of paper for household use; paper toilet rolls; paper wipes for cleaning; table napkins of paper; tissue paper; tissues of paper; tissues of paper for cosmetic use.

(260) AM 2021 112813 A
(800) 1588557
(151) 2020 10 21
(891) 2020 10 21
(731) Crystalex CZ, s.r.o.
Masarykovo nábřeží 2360, CZ-110 00 Praha 1, Nové Město, Czech Republic
(540)



(591) Black, white
(531) 27.01.04; 27.05.21
(511)

21 – Glass products of all kinds within this class, products of utility, works of art made of smooth and refined glass.

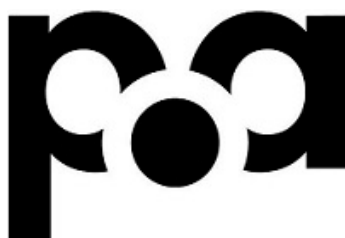
(260) AM 2021 112814 A
(800) 1588665
(151) 2020 12 23
(891) 2020 12 23
(731) Lenzing Aktiengesellschaft
Werkstr. 2, A-4860 Lenzing, Austria
(540)

VEOCEL

(591) Black, white
(511)
9 – Protective breathing masks, other than for artificial respiration; protective face masks; protective masks; masks [protective]; protecting masks.

10 – Face masks for medical use; protective face masks for protection against viral infection; sanitary masks for virus isolation purposes; protective face masks for medical use; protective mouth masks for medical use; protective nose masks for medical use.

(260) AM 2021 112816 A
(800) 1588781
(151) 2021 03 29
(891) 2021 03 29
(731) PEPCO Poland Sp. z o.o.
Strzeszyńska 73A, PL-60-479 Poznań,
Poland
(540)



(591) Black, white
(531) 24.17.02; 27.05.12
(511)
16 – Pencil cases.

18 – Rucksacks; school knapsacks; drawstring bags.

(260) AM 2021 112859 A
(800) 1589226
(151) 2021 02 23
(891) 2021 02 23
(731) Alpen Pharma AG
Finkenhübelweg 16, CH-3012 Bern,
Switzerland

(540)

AUREX

(591) Black, white
(511)
10 – Surgical, medical, dental and veterinary apparatus and instruments; artificial limbs, eyes and teeth; orthopedic articles; suture material; therapeutic and assistance devices designed for people with disabilities; massage apparatus; apparatus, devices and articles for child care; apparatus, devices and articles for sexual activities.

(260) AM 2021 112860 A
(800) 1589289
(151) 2021 01 28
(891) 2021 01 28
(731) Limited Liability Company
"RESURSKOMPLEKT"
st. Transportnaya, 11, pom. IV, floor 3,
room. 9-10, Reutov, RU-143960 Moscow
region, Russian Federation

(540)

КРИМЕЈТЕ

(591) Black, white
(531) 28.05
(511)
1 – Industrial chemicals; adhesives for industrial purposes.
17 – Sealant compounds for joints.
19 – Linings, not of metal, for building; coatings [building materials].

(260) AM 2021 112861 A
(800) 1589301
(151) 2021 03 10
(891) 2021 03 10
(731) TANTIVY AUTOMOTIVE CO., LTD.
9C, Tower 2, Plaza B, Golden Resources
Business Center, Lan Dian Chang Dong
Avenue, Hai Dian District, 100097 BEIJING,
China

(540)



(591) Black, white
(531) 25.03.01; 27.05.01; 27.05.23
(511)
11 – Light bulbs; lights for vehicles; lights for automobiles; anti-glare devices for vehicles [lamp fittings]; light bulbs for directional signals for vehicles; vehicle headlights; vehicle reflectors; lighting apparatus for vehicles; cooling installations and machines;

fans [parts of air-conditioning installations]; fans [air-conditioning]; air conditioners for vehicles.

12 – Rearview mirrors; hoods for vehicle engines; hub caps; bumpers for automobiles, tires for vehicle wheels; steering signal device for vehicles; hubs for vehicle wheels; windscreen wipers; doors for vehicles; upholstery for vehicles; vehicle covers [shaped].

(260) AM 2021 112862 A

(800) 1589310

(151) 2020 11 19

(891) 2020 11 19

(731) Zakrytoe aktsionernoe obshchestvo "Myasnaya galereya"

ul. Poliny Osipenko, d. 65, of. 10, RU-600009

g. Vladimir, Russian Federation

(540)

Круггетсы

(591) Black, white

(531) 28.05

(511)

29 – Ajvar [preserved peppers]; aloe vera prepared for human consumption; alginates for culinary purposes; anchovy, not live; peanuts, prepared; albumen for culinary purposes; white of eggs; beans, preserved; prepared meals consisting primarily of meat, fish, poultry or vegetables; frozen meals consisting primarily of meat, fish, poultry or vegetables; packaged meals consisting primarily of meat, fish, poultry or vegetables; beef stock; veal stock; chicken stock; prepared stock; soya beans, preserved, for food; broth; ginger jam; ham; fatty substances for the manufacture of edible fats; roasted edible seaweed; edible birds' nests; peas, preserved; mushrooms, preserved; beef; dried beef; beef slices; prepared beef; beef stew; game, not live; beef jerky; gelatine; meat jellies; jellies for food; fruit jellies; yolk of eggs; coconut fat; bone oil for food; lard; suet for food; edible fats; curd; fruit-based snack food; frozen appetizers consisting primarily of chicken; potato-based snack foods; vegetable-based snack foods; shepherd's pie; brawn; charcuterie; raisins; caviar; fish roe, prepared; yogurt; sauerkraut; kefir; kimchi; isinglass for food; clams, not live; potato-based dumplings; milk shakes; blood sausage; smoked sausage; uncooked smoked sausages; beef patties; veggie burger patties; soya burger patties; uncooked hamburger patties; turkey burger patties; compotes; meat, canned; vegetables, canned; fish, canned; fruits, canned; broth concentrates; gherkins; shrimps, not live; prawns, not live; buttercream; croquettes; silkworm chrysalis for human consumption; kumys; spiny lobsters, not live; lecithin for culinary purposes; salmon, not live; onions, preserved; margarine; marmalade; oils for food; peanut butter; cocoa butter for food; coconut oil for food; coconut butter; corn oil for food; sesame oil for food; flaxseed oil for food; olive oil for

food; palm oil for food; palm kernel oil for food; sunflower oil for food; rape oil for food; butter; mussels, not live; almonds, ground; animal marrow for food; mollusks, not live; milk; condensed milk; protein milk; soya milk; fish meal for human consumption; vegetable mousses; fish mousses; fruit pulp; meat; fried meat; luncheon meat; frozen meat; processed meat; sliced meat; prepared meat; minced meat; meat, preserved; milk beverages, milk predominating; pieces of chicken meat fried in batter; pre-packaged dinners consisting primarily of meat; pre-packaged dinners consisting primarily of poultry; vegetables, cooked; vegetables, preserved; vegetables, dried; potato fritters; olives, preserved; lobsters, not live; coconut, desiccated; nuts, prepared; tomato paste; tomato purée; liver pâté; meat pastes; pectin for culinary purposes; liver; pickles; jams; powdered eggs; milk products; fish-based foodstuffs; processed meat products; prostokvasha [soured milk]; poultry, not live; pollen prepared as foodstuff; cranberry compote; apple purée; stews; crayfish, not live; crustaceans, not live; fish, preserved; fish, not live; salted fish; ryazhenka [fermented baked milk]; roast beef; vegetable salads; fruit salads; bacon; sardines, not live; pork; pork, canned; canned pork and beans; herrings, not live; seeds, prepared; sunflower seeds, prepared; cream [dairy products]; whipped cream; fat-containing mixtures for bread slices; Smetana [sour cream]; tomato juice for cooking; vegetable juices for cooking; salted meats; corned beef; sausages; vegetarian sausages; sausages in batter; hot dog sausages; preserved sausages; uncooked sausages; preparations for making bouillon; preparations for making soup; tripe; soups; vegetable soup preparations; whey; cheese; tahini; tofu; veal; sea-cucumbers, not live; truffles, preserved; tuna, not live; oysters, not live; milk ferments for culinary purposes; rennet; fish fillets; chicken breast fillets; dates; meatballs; frosted fruits; frozen fruits; fruit, preserved; fruit preserved in alcohol; fruit, stewed; potato flakes; hummus; fruit peel; preserved garlic; lentils, preserved; potato chips; low-fat potato chips; fruit chips; bacon rinds; pork rinds; non-alcoholic eggnog; seaweed extracts for food; meat extracts; snail eggs for consumption; eggs; corn dogs.

30 – Aromatic preparations for food; flavorings, other than essential oils, for cakes; flavorings, other than essential oils, for beverages; coffee flavorings; food flavorings, other than essential oils; star aniseed; cereal bars; high-protein cereal bars; pancakes; packaged meals consisting primarily of pasta or rice; pasta-based prepared meals; prepared meals consisting primarily of pasta or rice; noodle-based prepared meals; rice-based prepared meals; entrées consisting primarily of pasta or rice; boxed lunches consisting of rice, with added meat, fish or vegetables; biscuits; cheese-flavored biscuits; buns; bagels; bread rolls; jam buns; cream buns; burritos; vanillin [vanilla substitute]; vanilla flavorings for culinary purposes; waffles; vermicelli; natural sweeteners; sausage binding

materials; binding agents for ice cream; sea water for cooking; seaweed [condiment]; biscuits for cheese; malt biscuits; hamburgers [sandwiches]; cloves [spice]; cake frosting [icing]; glucose for culinary purposes; mustard; croutons; gluten additives for culinary purposes; yeast; thickening agents for cooking foodstuffs; leaven; rice-based snack food; cereal-based snack food; artificial coffee; vegetal preparations for use as coffee substitutes; dressings for salad; fruit jellies [confectionery]; confectionery for decorating Christmas trees; frozen confectionery; pastries; cakes; peanut confectionery; almond confectionery; pasta; pasties; ginger [spice]; frozen yogurt [confectionery ices]; cocoa; cream of tartar for culinary purposes; capers; caramels [sweets]; curry [spice]; gruel, with a milk base, for food; ketchup [sauce]; quiches; gluten prepared as foodstuff; sweets; liquorice [confectionery]; peppermint sweets; cinnamon [spice]; coffee; unroasted coffee; starch for food; crackers; custard; hominy grits; semolina; oatmeal; steamed dumplings; stuffed dumplings; flour-based dumplings; rice dumplings; crushed barley; groats for human food; corn, milled; corn, roasted; meat pies; turmeric; couscous; farinaceous foods; noodles; ice for refreshment; ice, natural or artificial; edible ices; lollipops; fried dough cookies; rice cakes; mayonnaise; macarons; macaroni; muffins; maltose; hominy; marinades; marzipan; honey; royal jelly; ice cream; bean meal; tapioca flour; potato flour; corn flour; flour; wheat flour; soya flour; barley meal; dessert mousses [confectionery]; chocolate mousses; muesli; mint for confectionery; cocoa beverages with milk; coffee beverages with milk; coffee-based beverages; tea-based beverages; chocolate beverages with milk; chocolate-based beverages; cocoa-based beverages; infusions, not medicinal; crushed oats; husked oats; nutmegs; stick liquorice [confectionery]; miso; bread sticks; pastilles [confectionery]; molasses for food; pâtés en croûte; pepper; allspice; peppers [seasonings]; pesto; cookies; petit-beurre biscuits; pies; poultry and game meat pies; fried pies; pizzas; fresh pizzas; meat gravies; fondants [confectionery]; donuts; popcorn; powders for making ice cream; baking powder; mustard meal; pralines; condiments; meat tenderizers for household purposes; cereal preparations; oat-based food; bee glue; gingerbread; spices; petits fours; puddings; cake powder; fruit coulis [sauces]; ravioli; pelmeni including pelmeni stuffed with berries; pelmeni including stuffed pelmeni; manti [stuffed dumplings]; khinkali [stuffed dumplings]; chewing gum; relish [condiment]; rice; risotto; wheat germ for human consumption; spring rolls; sago; sugar; palm sugar; aniseed; flaxseed for culinary purposes [seasoning]; golden syrup; sugar confectionery; baking soda [bicarbonate of soda for cooking purposes]; malt for human consumption; salt for preserving foodstuffs; cooking salt; celery salt; sherbets [ices]; ham glaze; soya sauce; tomato sauce; pasta sauce; hot dogs [sandwiches]; sauces [condiments]; wheat-based snack foods; cheese-flavored pu-

ffed corn snacks; extruded corn snacks; muesli snacks; spaghetti; spaghetti with meatballs; seasonings; preparations for stiffening whipped cream; rusks; breadcrumbs; sushi; sandwiches; tabbouleh; tacos; tapioca; tarts; dough; pastry dough; cake dough; almond paste; tortillas; garden herbs, preserved [seasonings]; vinegar; beer vinegar; ferments for pastes; halvah; bread; unleavened bread; chips [cereal products]; corn flakes; oat flakes; flowers or leaves for use as tea substitutes; chicory [coffee substitute]; tea; iced tea; chutneys [condiments]; cheeseburgers [sandwiches]; chow-chow [condiment]; saffron [seasoning]; chocolate; malt extract for food; essences for foodstuffs, except etheric essences and essential oils; husked barley; piccalilli.

43 – Accommodation bureau services [hotels, boarding houses]; rental of temporary accommodation; rental of meeting rooms; tourist home services; hotel reservations; boarding house bookings; temporary accommodation reservations; hotel services; retirement home services; snack-bar services; café services; cafeteria services; motel services; boarding house services; boarding for animals; rental of cooking apparatus; rental of chairs, tables, table linen, glassware; rental of lighting apparatus; rental of tents; rental of transportable buildings; rental of drinking water dispensers; restaurant services; self-service restaurant services; food sculpting; canteen services; holiday camp services [lodging]; bar services; providing campground facilities; food and drink catering; day-nursery [crèche] services.

(260) AM 2021 112863 A

(800) 1589352

(151) 2020 11 11

(891) 2020 11 11

(731) 3 HOLDINGS LLC

2250 s. Western Ave., Park Forest IL 60466,
USA

(540)



(591) Black, white

(531) 27.05.01; 27.05.22; 27.07.01; 27.07.11

(511)

3 – Shampoos for hair; conditioners for hair; shaving gels; facial scrubs [cosmetic]; body scrubs [cosmetic]; hair sprays; hair gels; cosmetic creams; facial creams [cosmetic]; non-medicated oils for beard care; non-medicated oils for hair care; non-medicated hair serums; pomades for cosmetic purposes; styling paste

for hair; styling powders for hair; cosmetic hair filling powder spray for cosmetic purpose; hair wax for styling hair; forming creams for hair; tinted gels for hair; wax beads for removing body hair; wax strips for removing body hair; wax strips for removing facial hair; nose cleansing strips for blackhead removal; temporary colorings for beard; cosmetic eye pencils; fibers for hair filling [cosmetic]; temporary hair dyes [cosmetic]; deodorants; cosmetic hair products, namely thickening creams; hair bleaching preparations.

25 – Capes for use in salons and barber shops; waterproof hairdressing capes [clothing]; waterproof aprons [clothing]; plastic aprons; paper aprons; face masks made of fabric [clothing]; aprons [clothing]; bandanas [neckerchiefs]; sandals; bathing trunks; belts [clothing]; sports bras; boots; boxer shorts; caps being headwear; clothing containing slimming substances; clothing incorporating LEDs; clothing of leather; coats; collars [clothing]; dress shirts; polos; underclothing; fingerless gloves; hats; hairdressing capes; shoes; headscarves; headwear; sweatshirts; jackets [clothing]; jerseys [clothing]; leggings [trousers]; neck tube scarves; outer clothing; smocks; ponchos; scarves; shawls; shirts; shoes; short-sleeve shirts; socks; gaiters; jackets [clothing]; underwear; sweaters; jumpers [pullovers]; tee-shirts; tights; top hats; trousers; pants; underpants; underwear; uniforms; vests; waterproof clothing; non-slipping devices for footwear; suits; neck ties.

35 – The bringing together, for the benefits of others, of a variety of goods, namely, shampoos for hair, conditioners for hair, shaving gels, facial scrubs [cosmetic], body scrubs [cosmetic], hair sprays, hair gels, cosmetic creams, facial creams [cosmetic], non-medicated oils for beard care, non-medicated oils for hair care, non-medicated hair serums, pomades for cosmetic purposes, styling paste for hair, styling powders for hair, cosmetic hair filling powder spray for cosmetic purpose, hair wax for styling hair, forming creams for hair, tinted gels for hair, wax beads for removing body hair, wax strips for removing body hair, wax strips for removing facial hair, nose cleansing strips for blackhead removal, temporary colorings for beard, cosmetic eye pencils, fibers for hair filling [cosmetic], temporary hair dyes [cosmetic], deodorants, cosmetic hair products, namely thickening control creams, hair bleaching preparations, sanitizing preparations, hand-sanitizing preparations and disinfecting preparation with antibacterial and anti-microbial properties, sanitizing sprays for hands, sanitizing wipes for face and hands, disinfectant spray for hairdresser tools, razors, razor blades, face shields for use in hairdressers [for cosmetic purposes], hand-operated pumps for spraying hair fibers, holders for razors, backpacks, mirrors, hand mirrors [toilet mirrors], disposable latex and nitrile gloves for general purposes, hair brushes, bristle brushes for hair, combs, comb sets, facial cleansing brushes, neck brush sets for ha-

irdressing, empty spray bottles, collapsible tint bowls made of plastic, brushes for use in hair tinting, brush sets for facial masks, jars for disinfecting hairdresser tools, hair pick comb sets, towels, face towels, capes for use in salons and barber shops, waterproof hairdressing capes [clothing], waterproof aprons [clothing], plastic aprons, paper aprons, face masks made of fabric [clothing], aprons [clothing], bandanas [neckerchiefs], sandals, bathing trunks, belts [clothing], sports bras, boots, boxer shorts, caps being headwear, clothing containing slimming substances, clothing incorporating LEDs, clothing of leather, coats, collars [clothing], dress shirts, polos, underclothing, fingerless gloves, hats, hairdressing capes, shoes, headscarves, headwear, sweatshirts, jackets [clothing], jerseys [clothing], leggings [trousers], neck tube scarves, outer clothing, smocks, ponchos, scarves, shawls, shirts, shoes, short-sleeve shirts, socks, gaiters, jackets [clothing], underwear, sweaters, jumpers [pullovers], tee-shirts, tights, top hats, trousers, pants, underpants, underwear, uniforms, vests, waterproof clothing, non-slipping devices for footwear, suits, neck ties, hair grips, hair clips, enabling customers to conveniently view and purchase those goods, such services provided by wholesale outlets, and by means of electronic media.

(260) AM 2021 112974 A

(800) 1590873

(151) 2021 01 06

(891) 2021 01 06

(731) Egis Gyógyszergyár Zrt.

Keresztúri út 30-38, H-1106 Budapest,
Hungary

(540)

ELIOTENDER

(591) Black, white

(511)

3 – Cosmetics and cosmetic preparations.

5 – Human pharmaceutical preparations; dietetic substances adapted for medical use; dietary supplements; medicinal ointments; medicated skin creams; plasters, materials for dressings.

(260) AM 2021 112975 A

(800) 1590877

(151) 2021 01 26

(891) 2021 01 26

(731) Egis Gyógyszergyár Zrt.

Keresztúri út 30-38., H-1106 Budapest,
Hungary

(540)

РЕВЕРСОЛЮТ

(591) Black, white

(531) 28.05

(511)

3 – Cosmetics and cosmetic preparations.

5 – Human pharmaceutical preparations; dietetic substances adapted for medical use; dietary supplements; medicinal ointments; medicated skin creams; plasters, materials for dressings.

(260) AM 2021 112979 A

(800) 1590995

(151) 2020 11 19

(891) 2020 11 19

(731) Zakrytoe aktsionernoe obshchestvo "Myasnaya galereya"

ul. Poliny Osipenko, d. 65, of. 10, RU-600009

g. Vladimir, Russian Federation

(540)



(591) Yellow, black and white

(531) 03.07.03; 03.07.17; 03.07.19; 03.07.24; 28.05; 29.01.13

(511)

29 – Meat, fish, poultry and game; meat extracts; preserved, dried and cooked fruits and vegetables; eggs; milk and milk products; edible oils and fats; ajvar [preserved peppers]; aloe vera prepared for human consumption; alginates for culinary purposes; anchovy, not live; peanuts, processed; artichokes, preserved; albumen for culinary purposes; white of eggs; prepared entrées consisting primarily of seafood; frozen meals consisting primarily of meat, fish, poultry or vegetables; prepared meals consisting primarily of meat, fish, poultry or vegetables; vegetable-based entrées; pre-packaged entrées consisting primarily of seafood; packaged meals consisting primarily of meat, fish, poultry or vegetables; beans, preserved; soya beans, preserved, for food; broth; ginger jam; ham; fatty substances for the manufacture of edible fats; toasted laver; beef; dried beef; beef slices; prepared beef; beef stew; edible birds' nests; peas, preserved; mushrooms, preserved; gelatine; meat jellies; jellies for food; fruit jellies; yolk of eggs; coconut fat; bone oil for food; lard; suet for food; curd; fruit-based snack food; frozen appetizers consisting primarily of chicken; frozen appetizers consisting primarily of seafood; potato-based snack foods; aspic; meat substitutes; poultry substitutes; vegetable-based meat substitutes; sour cream substitutes; cheese substitutes; shepherd's

pie; brawn; charcuterie; fish sausages; raisins; caviar; eggplant paste; vegetable marrow paste; fish roe, prepared; turkey; yogurt; sauerkraut; kefir [milk beverage]; kimchi; isinglass for food; clams [not live]; milk shakes; smoked sausage; black pudding; compotes; meat, canned; vegetables, canned; fish, canned; fruits, canned; broth concentrates; gherkins; shrimps, not live; prawns, not live; buttercream; croquettes; silk-worm chrysalis, for human consumption; kumys [milk beverage]; spiny lobsters, not live; lecithin for culinary purposes; salmon, not live; onions, preserved; margarine; marmalade; peanut butter; cocoa butter for food; coconut oil for food; coconut butter; corn oil for food; sesame oil for food; flaxseed oil for food; olive oil for food; palm oil for food; palm kernel oil for food; sunflower oil for food; rape oil for food; butter; mussels, not live; almonds, ground; animal marrow for food; mollusks, not live; peanut milk for culinary purposes; almond milk for culinary purposes; rice milk being milk substitute; protein milk; condensed milk; soya milk [milk substitute]; fish meal for human consumption; vegetable mousses; fish mousses; fruit pulp; fried meat; luncheon meat; frozen meat; meat, preserved; processed meat; sliced meat; prepared meat; cooked meat, canned; ground meat; dried meat; breaded and fried pieces of chicken meat; milk beverages, milk predominating; pre-packaged dinners consisting primarily of game; pre-packaged dinners consisting primarily of seafood; pre-packaged dinners consisting primarily of meat; pre-packaged dinners consisting primarily of poultry; pre-packaged dinners consisting primarily of fish; potato fritters; olives, preserved; lobsters, not live; coconut, desiccated; nuts, prepared; tomato paste; liver pâté; pectin for culinary purposes; liver; pickles; jams; powdered eggs; fish-based foodstuffs; prostokvasha [soured milk]; poultry, not live; pollen prepared as foodstuff; cranberry compote; tomato purée; apple purée; crayfish, not live; crustaceans, not live; fish, preserved; fish, not live; salted fish; ryazhenka [fermented baked milk]; vegetable salads; fruit salads; bacon; sardines, not live; pork; pork, canned; canned pork and beans; herrings, not live; seeds, prepared; processed sunflower seeds; cream [dairy products]; whipped cream; fat-containing mixtures for bread slices; smetana [sour cream]; tomato juice for cooking; vegetable juices for cooking; salted meats; sausages; sausages in batter; preparations for making bouillon; preparations for making soup; tripe; soups; vegetable soup preparations; whey; uncooked smoked sausages; cheese; tahini [sesame seed paste]; tofu; sea-cucumbers, not live; truffles, preserved; tuna, not live; oysters, not live; milk ferments for culinary purposes; rennet; fish fillets; dates; meatballs; frosted fruits; frozen fruits; fruit preserved in alcohol; potato flakes; hummus [chickpea paste]; fruit peel; preserved garlic; lentils, preserved; potato chips; low-fat potato chips; fruit chips; bacon rinds; pork rinds; non-alcoholic eggnog; seaweed extracts for food; snail eggs for consumption.

30 – Coffee; tea; cocoa; artificial coffee; rice; tapioca; sago; flour and preparations made from cereals; bread, pastry and confectionery; ice cream; sugar, honey, treacle; yeast, baking-powder; salt; mustard; vinegar; condiments; spices; aromatic preparations for food; flavorings, other than essential oils, for cakes; flavorings, other than essential oils, for beverages; coffee flavorings; food flavorings, other than essential oils; star aniseed; cereal bars; high-protein cereal bars; pancakes; packaged meals consisting primarily of pasta or rice; pasta-based prepared meals; prepared meals consisting primarily of pasta or rice; frozen meals consisting primarily of pasta or rice; noodle-based prepared meals; rice-based prepared meals; entrées consisting primarily of pasta or rice; buns; bread rolls; vanillin [vanilla substitute]; vanilla flavorings for culinary purposes; vareniks [stuffed dumplings]; waffles; vermicelli; natural sweeteners; sausage binding materials; binding agents for ice cream; sea water for cooking; seaweed [condiment]; malt biscuits; cloves [spice]; cake frosting [icing]; glucose for culinary purposes; gluten additives for culinary purposes; thickening agents for cooking foodstuffs; leaven; rice-based snack food; cereal-based snack food; vegetal preparations for use as coffee substitutes; dressings for salad; fruit jellies [confectionery]; candy decorations for cakes; confectionery for decorating Christmas trees; cakes; pastries; peanut confectionery; almond confectionery; pasta; pasta shells; pasta for soups; fresh pasta; pasties; ginger [spice]; frozen yogurt [confectionery ices]; cream of tartar for culinary purposes; caramels [sweets]; curry [spice]; ketchup [sauce]; quiches; gluten prepared as foodstuff; sweets; liquorice [confectionery]; peppermint sweets; cinnamon [spice]; unroasted coffee; starch for food; crackers; custard; hominy grits; semolina; oatmeal; crushed barley; groats for human food; corn, milled; corn, roasted; meat pies; turmeric; couscous; farinaceous foods; noodles; ice for refreshment; ice, natural or artificial; edible ices; lollipops [confectionery]; rice cakes; mayonnaise; macarons; macaroni; maltose; hominy; marzipan; royal jelly; bean meal; tapioca flour; potato flour; corn flour; nut flours; meal; soya flour; barley meal; dessert mousses [confectionery]; chocolate mousses; muesli; mint for confectionery; cocoa beverages with milk; coffee beverages with milk; coffee-based beverages; cocoa-based beverages; tea-based beverages; chocolate beverages with milk; chocolate-based beverages; infusions, not medicinal; crushed oats; husked oats; chocolate-coated nuts; stick liquorice [confectionery]; miso; pastilles [confectionery]; molasses for food; pâtés en croûte; pelmeni [dumplings stuffed with meat]; pepper; allspice; peppers [seasonings]; pesto; cookies; petit-beurre biscuits; pies; poultry and game meat pies; almond cake; pizzas; meat gravies; fondants [confectionery]; popcorn; powders for making ice cream; mustard meal; pralines; meat tenderizers for household purposes; oat-based food; bee glue; gingerbread; petits fours; rice

pudding; puddings; cake powder; fruit coulis [sauces]; ravioli; chewing gum; relish [condiment]; wheat germ for human consumption; spring rolls; palm sugar; aniseed; flaxseed for culinary purposes [seasoning]; golden syrup; sugar confectionery; baking soda [bicarbonate of soda for cooking purposes]; malt for human consumption; salt for preserving foodstuffs; cooking salt; celery salt; sherbets [ices]; ham glaze; soya sauce; tomato sauce; sauces [condiments]; pasta sauce; spaghetti; seasonings; preparations for stiffening whipped cream; rusks; breadcrumbs; sushi; sandwiches; tabbouleh; tacos; tarts; dough; pastry dough; almond paste; cake dough; tortillas; garden herbs, preserved [seasonings]; chocolate decorations for cakes; beer vinegar; ferments for pastes; halvah; unleavened bread; chips [cereal products]; corn flakes; oat flakes; flowers or leaves for use as tea substitutes; chicory [coffee substitute]; iced tea; chutneys [condiments]; chebureki [traditional meat pastry]; minced garlic [condiment]; cheeseburgers [sandwiches]; chow-chow [condiment]; saffron [seasoning]; chocolate; malt extract for food; essences for foodstuffs, except etheric essences and essential oils; husked barley; piccalilli.

43 – Services for providing food and drink; temporary accommodation; accommodation bureau services [hotels, boarding houses]; rental of temporary accommodation; rental of meeting rooms; tourist home services; hotel reservations; boarding house bookings; temporary accommodation reservations; hotel services; retirement home services; snack-bar services; café services; cafeteria services; motel services; boarding house services; boarding for animals; rental of cooking apparatus; rental of chairs, tables, table linen, glassware; rental of lighting apparatus; rental of tents; rental of transportable buildings; rental of drinking water dispensers; restaurant services; self-service restaurant services; food sculpting; canteen services; holiday camp services [lodging]; bar services; providing campground facilities; food and drink catering; day-nursery [crèche] services.

(260) AM 2021 113092 A

(800) 1306786

(151) 2016 06 15

(891) 2021 05 05

(731) Green Motion Limited

Medina House, 334 Silbury Boulevard,
Milton Keynes, Buckinghamshire MK9 2AE,
United Kingdom

(540)

GREEN MOTION

(591) Black, white

(511)

39 – Rental of motor vehicles and land vehicles; contract hire and leasing of motor vehicles and land vehicles.

(260) AM 2021 113150 A

(800) 1592844

(151) 2021 01 27

(891) 2021 01 27

(731) TAYAŞ GIDA SANAYİ VE TİCARET
ANONİM ŞİRKETİ

Gebze Organize Sanayi Bölgesi, İhsan Dede

Cad. 800. Sok. No:122, Gebze, Kocaeli, Turkey

(540)

HerbalVit

(591) Black, white

(531) 27.05.01

(511)

30 – Confectionery, chocolate, biscuits, crackers, wafers.

INTERNATIONAL TRADEMARKS PROTECTED IN GEORGIA

(260) AM 2021 110082 A
(800) 1554324
(151) 2020 09 15
(181) 2030 09 15
(891) 2020 09 15
(511) 09

(260) AM 2021 110394 A
(800) 1558572
(151) 2020 08 07
(181) 2030 08 07
(891) 2020 08 07
(511) 05, 29, 30, 32

(260) AM 2021 110402 A
(800) 1558801
(151) 2020 07 28
(181) 2030 07 28
(891) 2020 07 28
(511) 03, 07, 11, 37

(260) AM 2021 110500 A
(800) 772688
(151) 2001 10 08
(181) 2021 10 08
(891) 2020 10 27
(511) 32

(260) AM 2021 110502 A
(800) 1406250
(151) 2018 01 18
(181) 2028 01 18
(891) 2020 10 08
(511) 05, 09

(260) AM 2021 110503 A
(800) 1477194
(151) 2019 05 21
(181) 2029 05 21
(891) 2020 09 23
(511) 30

(260) AM 2021 110552 A
(800) 1560287
(151) 2020 07 10
(181) 2030 07 10
(891) 2020 07 10
(511) 04, 21, 24, 27

(260) AM 2021 110565 A
(800) 1560693
(151) 2020 07 21
(181) 2030 07 21
(891) 2020 07 21
(511) 09, 28, 41

(260) AM 2021 110566 A
(800) 1560694
(151) 2020 07 20
(181) 2030 07 20
(891) 2020 07 20
(511) 09, 28, 41

(260) AM 2021 110567 A
(800) 1560699
(151) 2020 07 20
(181) 2030 07 20
(891) 2020 07 20
(511) 09, 28, 41

(260) AM 2021 110569 A
(800) 1560729
(151) 2020 05 06
(181) 2030 05 06
(891) 2020 05 06
(511) 03

(260) AM 2021 110572 A
(800) 1560762
(151) 2020 06 15
(181) 2030 06 15
(891) 2020 06 15
(511) 41

(260) AM 2021 110577 A
(800) 1561025
(151) 2020 08 18
(181) 2030 08 18
(891) 2020 08 18
(511) 05, 30

(260) AM 2021 110628 A
(800) 1561528
(151) 2020 07 17
(181) 2030 07 17
(891) 2020 07 17
(511) 29, 30

(260) AM 2021 110629 A
(800) 1561533
(151) 2020 07 21
(181) 2030 07 21
(891) 2020 07 21
(511) 09, 28, 41

(260) AM 2021 110714 A
(800) 1563101
(151) 2020 10 09
(181) 2030 10 09
(891) 2020 10 09
(511) 09

(260) AM 2021 110630 A
(800) 1561543
(151) 2020 07 13
(181) 2030 07 13
(891) 2020 07 13
(511) 29

(260) AM 2021 110715 A
(800) 1563130
(151) 2020 07 20
(181) 2030 07 20
(891) 2020 07 20
(511) 09, 28, 41

(260) AM 2021 110699 A
(800) 1562647
(151) 2020 07 16
(181) 2030 07 16
(891) 2020 07 16
(511) 03, 05

(260) AM 2021 110730 A
(800) 1563707
(151) 2020 07 23
(181) 2030 07 23
(891) 2020 07 23
(511) 03, 05, 35

(260) AM 2021 110700 A
(800) 1562656
(151) 2020 07 17
(181) 2030 07 17
(891) 2020 07 17
(511) 09, 28, 41

(260) AM 2021 110732 A
(800) 1318466
(151) 2016 06 09
(181) 2026 06 09
(891) 2020 11 13
(511) 09, 35, 42

(260) AM 2021 110707 A
(800) 1562870
(151) 2020 08 24
(181) 2030 08 24
(891) 2020 08 24
(511) 06, 19, 37

(260) AM 2021 110828 A
(800) 1564662
(151) 2020 10 12
(181) 2030 10 12
(891) 2020 10 12
(511) 01, 02, 04, 11, 35

(260) AM 2021 110708 A
(800) 1562884
(151) 2020 10 29
(181) 2030 10 29
(891) 2020 10 29
(511) 05

(260) AM 2021 110829 A
(800) 1564678
(151) 2020 11 06
(181) 2030 11 06
(891) 2020 11 06
(511) 09

(260) AM 2021 110713 A
(800) 1563049
(151) 2020 11 02
(181) 2030 11 02
(891) 2020 11 02
(511) 05

(260) AM 2021 110844 A
(800) 1042097
(151) 2010 04 14
(181) 2030 04 14
(891) 2020 11 20
(511) 29

(260) AM 2021 110845 A
(800) 1149898
(151) 2012 12 26
(181) 2022 12 26
(891) 2020 11 23
(511) 12

(260) AM 2021 110895 A
(800) 1564996
(151) 2020 09 02
(181) 2030 09 02
(891) 2020 09 02
(511) 30

(260) AM 2021 110846 A
(800) 1166930
(151) 2012 08 23
(181) 2022 08 23
(891) 2020 11 17
(511) 03, 09, 14, 16, 18, 25, 35

(260) AM 2021 110896 A
(800) 1565015
(151) 2020 10 16
(181) 2030 10 16
(891) 2020 10 16
(511) 35

(260) AM 2021 110847 A
(800) 1210900
(151) 2014 04 01
(181) 2024 04 01
(891) 2020 11 24
(511) 20

(260) AM 2021 110897 A
(800) 1565018
(151) 2020 07 03
(181) 2030 07 03
(891) 2020 07 03
(511) 34, 35

(260) AM 2021 110848 A
(800) 1285463
(151) 2015 11 25
(181) 2025 11 25
(891) 2020 11 17
(511) 01, 05, 31

(260) AM 2021 110899 A
(800) 1565077
(151) 2020 07 29
(181) 2030 07 29
(891) 2020 07 29
(511) 03

(260) AM 2021 110849 A
(800) 1428520
(151) 2018 04 30
(181) 2028 04 30
(891) 2020 07 17
(511) 20, 35

(260) AM 2021 110915 A
(800) 1565748
(151) 2020 07 23
(181) 2030 07 23
(891) 2020 07 23
(511) 05

(260) AM 2021 110851 A
(800) 1479227
(151) 2018 12 24
(181) 2028 12 24
(891) 2020 11 18
(511) 03, 04

(260) AM 2021 110917 A
(800) 1565825
(151) 2020 11 13
(181) 2030 11 13
(891) 2020 11 13
(511) 09

(260) AM 2021 110852 A
(800) 1492876
(151) 2019 07 09
(181) 2029 07 09
(891) 2020 11 10
(511) 32

(260) AM 2021 110918 A
(800) 1565852
(151) 2020 10 12
(181) 2030 10 12
(891) 2020 10 12
(511) 07

(260) AM 2021 110926 A
(800) 1412295
(151) 2018 06 05
(181) 2028 06 05
(891) 2020 12 01
(511) 19, 27

(260) AM 2021 111013 A
(800) 1566646
(151) 2020 09 15
(181) 2030 09 15
(891) 2020 09 15
(511) 09

(260) AM 2021 110929 A
(800) 1529194
(151) 2020 02 27
(181) 2030 02 27
(891) 2020 11 30
(511) 25

(260) AM 2021 111033 A
(800) 1567136
(151) 2020 11 24
(181) 2030 11 24
(891) 2020 11 24
(511) 10

(260) AM 2021 110931 A
(800) 1552943
(151) 2020 08 19
(181) 2030 08 19
(891) 2020 11 30
(511) 25

(260) AM 2021 111035 A
(800) 1567160
(151) 2020 10 15
(181) 2030 10 15
(891) 2020 10 15
(511) 35, 36, 37, 41, 42

(260) AM 2021 110932 A
(800) 1553522
(151) 2020 08 19
(181) 2030 08 19
(891) 2020 11 30
(511) 25

(260) AM 2021 111036 A
(800) 1567196
(151) 2020 06 10
(181) 2030 06 10
(891) 2020 06 10
(511) 09, 19, 20, 21, 37

(260) AM 2021 110982 A
(800) 1565994
(151) 2020 09 15
(181) 2030 09 15
(891) 2020 09 15
(511) 09

(260) AM 2021 111037 A
(800) 1567204
(151) 2020 09 30
(181) 2030 09 30
(891) 2020 09 30
(511) 18

(260) AM 2021 110983 A
(800) 1565995
(151) 2020 09 15
(181) 2030 09 15
(891) 2020 09 15
(511) 09

(260) AM 2021 111038 A
(800) 1567233
(151) 2020 10 29
(181) 2030 10 29
(891) 2020 10 29
(511) 35, 38, 41, 42

(260) AM 2021 110984 A
(800) 1566003
(151) 2020 09 30
(181) 2030 09 30
(891) 2020 09 30
(511) 05, 10, 44

(260) AM 2021 111039 A
(800) 1567262
(151) 2020 11 17
(181) 2030 11 17
(891) 2020 11 17
(511) 31

(260) AM 2021 111094 A
(800) 1567410
(151) 2020 09 10
(181) 2030 09 10
(891) 2020 09 10
(511) 12

(260) AM 2021 111095 A
(800) 1567484
(151) 2020 11 16
(181) 2030 11 16
(891) 2020 11 16
(511) 42

(260) AM 2021 111096 A
(800) 1567498
(151) 2020 11 23
(181) 2030 11 23
(891) 2020 11 23
(511) 04

(260) AM 2021 111102 A
(800) 1567664
(151) 2020 11 24
(181) 2030 11 24
(891) 2020 11 24
(511) 06, 07, 08, 09

(260) AM 2021 111103 A
(800) 1567674
(151) 2020 10 15
(181) 2030 10 15
(891) 2020 10 15
(511) 33

(260) AM 2021 111104 A
(800) 1567682
(151) 2020 11 25
(181) 2030 11 25
(891) 2020 11 25
(511) 03

(260) AM 2021 111105 A
(800) 1567759
(151) 2020 10 21
(181) 2030 10 21
(891) 2020 10 21
(511) 07

(260) AM 2021 111106 A
(800) 1567781
(151) 2020 02 17
(181) 2030 02 17
(891) 2020 02 17
(511) 03, 05

(260) AM 2021 111137 A
(800) 1445254
(151) 2018 12 13
(181) 2028 12 13
(891) 2020 11 06
(511) 05

(260) AM 2021 111138 A
(800) 1494099
(151) 2019 08 13
(181) 2029 08 13
(891) 2020 12 15
(511) 09, 41

(260) AM 2021 111139 A
(800) 1515315
(151) 2019 12 06
(181) 2029 12 06
(891) 2020 12 14
(511) 35, 41

(260) AM 2021 111140 A
(800) 1521851
(151) 2020 02 14
(181) 2030 02 14
(891) 2020 12 15
(511) 05, 09, 10

(260) AM 2021 111141 A
(800) 1525712A
(151) 2020 02 26
(181) 2030 02 26
(891) 2020 12 15
(511) 34

(260) AM 2021 111142 A
(800) 1527557
(151) 2020 03 03
(181) 2030 03 03
(891) 2020 12 17
(511) 05

(260) AM 2021 111144 A
(800) 1557596
(151) 2020 09 15
(181) 2030 09 15
(891) 2020 12 14
(511) 05

(260) AM 2021 111145 A
(800) 1561770
(151) 2020 10 05
(181) 2030 10 05
(891) 2020 12 16
(511) 01, 05

GEOGRAPHICAL INDICATIONS
REGISTERED GEOGRAPHICAL INDICATIONS

(111) 23
(151) 2021 12 22
(540)

KHETA TANGERINE

(732) Association "Kheta Tangerine"
Davit Aghmashenebeli St. 137, Khobi Municipality, Kheta Administrative Unit, Georgia
(511) 31

(111) 24
(151) 2021 12 22
(540)

MUKHURI HONEY

(732) Association "Mukhuri Honey"
Tamar Mepe St. 11, Chkhorotsku, Georgia
(511) 30

OFFICIAL NOTIFICATIONS
INVENTIONS
RESTORATION OF PATENTS

(21) AP 2005 10125
(11) P 2012 5565 B
(73) Inside Holding Corporation
(54) LACTAM COMPOUNDS AND THEIR PHARMACEUTICAL USE
DATE OF CANCELLATION OF PATENT: 2021 11 09
THE TERM OF RESTORATION OF PATENT: 2021 12 27

(21) AP 2013 13247
(11) P 2019 6994 B
(73) Ivane Beroshvili;
Abesalom Beroshvili;
Teimuraz Kechiani
(54) METHOD FOR GAS INJECTION
DATE OF CANCELLATION OF PATENT: 2021 09 27
THE TERM OF RESTORATION OF PATENT: 2021 12 27

(21) AP 2014 13602
(11) P 2015 6404 B
(73) Merab Lekveishvili
(54) DRUG FOR TREATMENT OF CONDITIONS RELATED TO OXIDATIVE STRESS
DATE OF CANCELLATION OF PATENT: 2021 10 20
THE TERM OF RESTORATION OF PATENT: 2021 12 27

(21) AP 2016 14785
(11) P 2020 7059 B
(73) CPD LTD
(54) BUTTON FOR KEYBOARD AND KEYBOARD
DATE OF CANCELLATION OF PATENT: 2020 11 18
THE TERM OF RESTORATION OF PATENT: 2021 12 27

ABOLITION OF PATENT WITH THE RIGHT TO RESTORE

(21) AP 2013 13845
(11) P 2018 6839 B
(73) Chiesi Farmaceutici S.P.A.
(54) COMPOUNDS HAVING MUSCARINIC RECEPTOR ANTAGONIST AND BETA2 ADRENERGIC
RECEPTOR AGONIST ACTIVITY
DATE OF CANCELLATION OF PATENT: 2021 12 05
LIMITED DATE OF RESTORATION OF PATENT: 2022 12 05

EXPIRATION OF TERM OF RESTORATION OF PATENTS

(21) AP 2013 13312
(11) P 2016 6494 B
(73) Zhora Gabrichidze;
Nani Mikava;
Nata Gogokhia

(54) METHOD FOR SMOKED VODKA PRODUCTIO
DATE OF CANCELLATION OF PATENT: 2020 12 05
THE TERM OF RESTORATION OF PATENT VALIDITY HAS EXPIRED: 2021 12 05

(21) AP 2013 13876
(11) P 2017 6740 B
(73) Laboratoire Hra-Pharma
(54) SOLID DISPERSION OF A SELECTIVE MODULATOR OF THE PROGESTE- RONE RECEPTOR
DATE OF CANCELLATION OF PATENT: 2020 12 05
THE TERM OF RESTORATION OF PATENT VALIDITY HAS EXPIRED: 2021 12 05

(21) AP 2002 8281
(11) P 2006 3984 B
(73) GTX Inc.
(54) USE OF SELECTIVE ANDROGEN RECEPTOR MODULATORS FOR TREATING MUSCLE WASTING
DATE OF CANCELLATION OF PATENT: 2020 12 05
THE TERM OF RESTORATION OF PATENT VALIDITY HAS EXPIRED: 2021 12 05

UTILITY MODEL

ABOLITION OF PATENT WITH THE RIGHT TO RESTORE

(21) AU 2018 14944
(11) U 2019 2023 Y
(73) Revaz Sikharuldze
(54) DEVICE FOR FLEXIBLE ROD
DATE OF CANCELLATION OF PATENT: 2021 11 30
LIMITED DATE OF RESTORATION OF PATENT: 2022 11 30

DESIGNS

EXTENSION OF TERMS OF DESIGN REGISTRATION

- (11) D 2016 693 S
(73) Giorgi Bobokhidze (GE)
Bezhanidze St. 25, 6214, Borough Chakvi, Kobuleti, Georgia (GE)
(54) GARAGE
(28) 1
(24) 2016 02 22
(18) 2026 02 22
(58) 2021 12 17
-

CANCELLATION OF DESIGN REGISTRATION

- (11) D 2017 695 S
(73) Ibrahim Onder (TR)
Merkez Mah. Muhammet Kabaoğlu Cad. N16/7 Ardeşen, Rize, Turkey (TR)
(54) 1.-5. ADVERTISING EQUIPMENT
(18) 2021 06 01
(58) 2021 12 15
-

EXTENSION OF TERMS OF INTERNATIONAL DESIGNS REGISTRATION

- (11) DM/76155
(73) SCT LUBRICANTS LIMITED
Ledra Business Centre, 1 Poseidonos Street, 2406 Egkomi, Nicosia (CY)
(15) 2011 06 07
(24) 2011 06 07
(18) 2026 06 07
(28) 2
(28') 2
(54) Canisters
-

- (11) DM/77225
(73) ALPLA WERKE ALWIN LEHNER GMBH & CO. KG
Allmendstrasse, A-6971 Hard (EM)
(15) 2011 11 07
(24) 2011 11 07
(18) 2026 11 07
(28) 3
(28') 3
(54) Bottles
-

(11) DM/77226
(73) ALPLA WERKE ALWIN LEHNER GMBH & CO. KG
Allmendstrasse, A-6971 Hard (EM)
(15) 2011 11 07
(24) 2011 11 07
(18) 2026 11 07
(28) 3
(28') 3
(54) Bottles

(11) DM/77444
(73) ALFRED KÄRCHER GMBH & CO. KG
Alfred-Kärcher-Straße 28-40, 71364 Winnenden (DE)
(15) 2012 01 11
(24) 2012 01 11
(18) 2027 01 11
(28) 2
(28') 2
(54) Cleaners (Vacuum-)

(11) DM/90545
(73) FICOSOTA OOD
Madara Blvd. 48, BG-9700 Shumen (BG)
(15) 2016 03 21
(24) 2016 03 21
(18) 2026 03 21
(28) 4
(28') 4
(54) Packages for toilet paper and paper rolls

(11) DM/92987
(73) SAVERGLASS
3 rue de la Gare, F-60960 FEUQUIERES (FR)
(15) 2016 10 10
(24) 2016 10 10
(18) 2026 10 10
(28) 1
(28') 1
(54) Bottle

(11) DM/93339
(73) PEUGEOT CITROËN AUTOMOBILES SA
Route de Gisy, F-78140 VELIZY-VILLACOUBLAY (FR)
(15) 2016 10 12
(24) 2016 10 12
(18) 2026 10 12
(28) 1
(28') 1
(54) Automobile

(11) DM/95553
(73) PROSTORIA D.O.O.
Pustodol Zacretski 19 G, HR-49223 Sveti Kriz Zacretje (HR) (HR)
(15) 2017 01 16
(24) 2017 01 16
(18) 2027 01 16
(28) 2
(28') 2
(54) Armchair,Sofa

(11) DM/95649
(73) SAINT-GOBAIN GLASS FRANCE,
"Les Miroirs" - 18 avenue d'Alsace, F-92400 COURBEVOIE (FR)
(15) 2016 10 28
(24) 2016 10 28
(18) 2026 10 28
(28) 2
(28') 2
(54) Patterns on glass

CANCELLATION OF INTERNATIONAL DESIGNS REGISTRATION

(11) DM/74838
(73) GUBÁS GABI
Király u. 38, H-1061 Budapest (HU)
CANCELLATION DATE OF REGISTRATION: 2020 10 18
(58) 2021 12 08

(11) DM/75016
(73) THE SWATCH GROUP MANAGEMENT SERVICES AG (THE SWATCH GROUP MANAGEMENT SERVICES SA) (THE SWATCH GROUP MANAGEMENT SERVICES LTD) Seevorstadt 6, CH-2501 Bienne (CH)
CANCELLATION DATE OF REGISTRATION: 2020 12 29
(58) 2021 12 08

(11) DM/75030
(73) MÜLLER & MEIRER LEDERWARENFABRIK GMBH
8, Am Markt, 55606 Kirn (DE)
CANCELLATION DATE OF REGISTRATION: 2020 12 13
(58) 2021 12 10

TRADEMARKS**EXTENSION OF TERMS OF REGISTRATION**

(111) M 2001 13909 R2

(156) 2001 05 29

(186) 2031 05 29

(732) Aktsionernoe Obshchestvo "Nizhegorodskiy
Khimikofarmatsevticheskiy Zavod"
Ul. Salganskaya 7, Nizhniy Novgorod
GSP-459, 603600, Russian Federation

(111) M 2001 13927 R2

(156) 2001 06 13

(186) 2031 06 13

(732) Aktsionernoe Obshchestvo "Nizhegorodskiy
Khimikofarmatsevticheskiy Zavod"
Ul. Salganskaya 7, Nizhniy Novgorod
GSP-459, 603600, Russian Federation

(111) M 2001 13928 R2

(156) 2001 06 13

(186) 2031 06 13

(732) Aktsionernoe Obshchestvo "Nizhegorodskiy
Khimikofarmatsevticheskiy Zavod"
Salganskaya str. N7, GSP-459 Nizhny
Novgorod, 603600, Russian Federation

(111) M 2001 14061 R2

(156) 2001 10 18

(186) 2031 10 18

(732) Intersun Holding FZCO
P.O. Box: 61051, Jebel Ali Free Zone, Dubai,
United Arab Emirates

(111) M 2001 14068 R2

(156) 2001 10 18

(186) 2031 10 18

(732) Intersun Holding FZCO
P.O. Box: 61051, Jebel Ali Free Zone, Dubai,
United Arab Emirates

(111) M 2001 14160 R2

(156) 2001 12 04

(186) 2031 12 04

(732) Tenneco Automotive Operating Company Inc.
500 North Field Drive, Lake Forest,
IL 60045, USA

(111) M 2001 14161 R2

(156) 2001 12 04

(186) 2031 12 04

(732) Tenneco Automotive Operating Company Inc.
500 North Field Drive, Lake Forest,
IL 60045, USA

(111) M 2001 14163 R2

(156) 2001 12 04

(186) 2031 12 04

(732) Tenneco Automotive Operating Company Inc.
500 North Field Drive, Lake Forest,
IL 60045, USA

(111) M 2002 14234 R2

(156) 2002 01 08

(186) 2032 01 08

(732) 3M Company
3M Center, 2501 Hudson Road, St. Paul,
Minnesota 55144, USA

(111) M 2002 14237 R2

(156) 2002 01 08

(186) 2032 01 08

(732) 3M Company
3M Center, 2501 Hudson Road, St. Paul,
Minnesota 55144, USA

(111) M 2002 14362 R2

(156) 2002 03 27

(186) 2032 03 27

(732) Alcon Inc.
Rue Louis-d'Affry 6, CH-1701 Fribourg,
Switzerland

(111) M 2001 14219 R2

(156) 2001 12 17

(186) 2031 12 17

(732) Corning Incorporated
Haughton Park, City of Corning,
State of New York 14831, USA

(111) M 2002 14415 R2

(156) 2002 04 01

(186) 2032 04 01

(732) Hayat Kimya Sanayi A.Ş.
Mahir Iz Caddesi No: 25 Altunizade üsküdar,
Istanbul, Turkey

(111) M 2002 14416 R2
(156) 2002 04 01
(186) 2032 04 01
(732) Hayat Kimya Sanayi A.Ş.
Mahir Iz Caddesi No: 25 Altunizade üsküdar,
Istanbul, Turkey

(111) M 2011 21130 R1
(156) 2011 02 11
(186) 2031 02 11
(732) LTD "Aversi-Pharma"
Davit Aghmashenebeli Av. 148/2, 0112,
Tbilisi, Georgia

(111) M 2001 13950 R2
(156) 2001 06 26
(186) 2031 06 26
(732) Hugo Boss Trade Mark Management
GmbH & Co. KG
Dieselstrasse 12, 72555 Metzingen, Germany

(111) M 2011 21170 R1
(156) 2011 02 24
(186) 2031 02 24
(732) LTD "Aversi-Pharma"
Davit Aghmashenebeli Av. 148/2, 0112,
Tbilisi, Georgia

(111) M 2011 21144 R1
(156) 2011 02 11
(186) 2031 02 11
(732) LTD "Aversi-Pharma"
Davit Aghmashenebeli Av. 148/2, 0112,
Tbilisi, Georgia

(111) M 2011 21709 R1
(156) 2011 08 23
(186) 2031 08 23
(732) JSC "Corporation Kindzmarauli"
Ilia Tchavtchavadze str. 55, 4800, Kvareli,
Georgia

(111) M 2011 21710 R1
(156) 2011 08 23
(186) 2031 08 23
(732) JSC "Corporation Kindzmarauli"
Ilia Chavchavadze St. 55, 4800, Kvareli,
Georgia

(111) M 2012 22437 R1
(156) 2012 03 16
(186) 2032 03 16
(732) Heinz Italia S.p.A.
Via Migliara 45, 04100 Latina, Italy

(111) M 2011 21683 R1
(156) 2011 08 04
(186) 2031 08 04
(732) Tequila Cuervo, S.A. DE C.V.
Avenida Periferico Sur # 8500, Tlaquepaque,
Jalisco, CP 45601, Mexico

(111) M 2011 21684 R1
(156) 2011 08 04
(186) 2031 08 04
(732) Tequila Cuervo S.A. DE C.V.
Avenida Periferico Sur # 8500, Tlaquepaque,
Jalisco, CP 45601, Mexico

(111) M 2011 22002 R1
(156) 2011 11 30
(186) 2031 11 30
(732) Unipharm Inc.
350 Fifth Avenue, Suite 6701, New York,
N.Y. 10118, USA

(111) M 2011 22004 R1
(156) 2011 11 30
(186) 2031 11 30
(732) Unipharm, Inc.
350 Fifth Avenue, Suite 6701, New York,
N.Y. 10118, USA

(111) M 2011 22005 R1
(156) 2011 11 30
(186) 2031 11 30
(732) Unipharm Inc.
350 Fifth Avenue, Suite 6701, New York,
N.Y. 10118, USA

(111) M 2011 22012 R1
(156) 2011 11 30
(186) 2031 11 30
(732) LTD "Aversi-Pharma"
Davit Aghmashenebeli Av. 148/2, 0112,
Tbilisi, Georgia

(111) M 2010 20716 R1
 (156) 2010 09 06
 (186) 2030 09 06
 (732) Ekaterine Devidze
 9 aprili str. 2, 1200, Borjomi, Georgia

(111) M 2012 22319 R1
 (156) 2012 02 24
 (186) 2032 02 24
 (732) Brown-Forman Finland LTD
 Porkkalankatu 24, 00180 helsinki, Finland

(111) M 2011 22028 R1
 (156) 2011 11 30
 (186) 2031 11 30
 (732) LTD "Talizi"
 Tashkenti St. 27, 0160, Tbilisi, Georgia

(111) M 2012 22324 R1
 (156) 2012 02 24
 (186) 2032 02 24
 (732) 3M Company
 3M Center, 2501 Hudson Road, St. Paul,
 Minnesota 55144, USA

(111) M 2012 22589 R1
 (156) 2012 05 16
 (186) 2032 05 16
 (732) LLC "Wine Company Shumi"
 Vill. Tsinandali, 2200, Telavi, Georgia

(111) M 2012 22592 R1
 (156) 2012 05 16
 (186) 2032 05 16
 (732) LLC "Agara Sugar Company"
 Abuseridze-Tbeli St. (Former Matrosov St.)
 13, 0120, Tbilisi, Georgia

(111) M 2012 22348 R1
 (156) 2012 02 24
 (186) 2032 02 24
 (732) Sano-Brunos Enterprises Ltd.
 Neve Neeman, Hod Hasharon, Israel

(111) M 2012 22414 R1
 (156) 2012 03 16
 (186) 2032 03 16
 (732) Rossmax International Ltd.
 12 F. N189, Kang Chien Road, Taipei 114,
 Taiwan, China

(111) M 2012 22465 R1
 (156) 2012 04 05
 (186) 2032 04 05
 (732) Intersun Holding FZCO
 P.O. Box: 61051, Jebel Ali Free Zone, Dubai,
 United Arab Emirates

(111) M 2012 22469 R1
 (156) 2012 04 05
 (186) 2032 04 05
 (732) LTD "Global CBS"
 D. Guramishvili Ave. 62, fl. 3, Office space,
 0141, Tbilisi, Georgia

(111) M 2012 22473 R1
 (156) 2012 04 05
 (186) 2032 04 05
 (732) Sonashi Limited
 RM 1606, Peninsula Square, 18 Sung on
 Street, Hunghom, Hong Kong

(111) M 2012 22558 R1
 (156) 2012 04 30
 (186) 2032 04 30
 (732) Amoun Pharmaceutical Industries Co. S.A.E.
 El Salam City 11491, PO Box 3001, Cairo,
 Egypt

(111) M 2012 22559 R1
 (156) 2012 04 30
 (186) 2032 04 30
 (732) Amoun Pharmaceutical Industries Co. S.A.E.
 El Salam City 11491, PO Box 3001, Cairo,
 Egypt

(111) M 2012 23025 R1
 (156) 2012 11 02
 (186) 2032 11 02
 (732) LTD "Armunji"
 Zurab Chavchavadze St. 56, 4800, Kvareli,
 Georgia

(111) M 2012 22726 R1
 (156) 2012 07 02
 (186) 2032 07 02
 (732) Sun Pharmaceuticals Industries Limited
 Sparc, Tandalja, Vadodara - 390 020, Gujarat,
 India

(111) M 2012 22729 R1
(156) 2012 07 02
(186) 2032 07 02
(732) Sun Pharmaceutical Industries Limited [Sun
Pharmaceutical Industries Ltd]
Spark, Tandalja, Vadodara – 390 020, Gujarat;
Sun House, 201 B/1, Western Express
Highway, Goregaon (E), Mumbai - 400 063,
India

(111) M 2012 23076 R1
(156) 2012 11 12
(186) 2032 11 12
(732) JSC "Georgian Beer Company"
Vill. Saguramo, 3311, Mckheta district,
Georgia

(111) M 2012 23077 R1
(156) 2012 11 12
(186) 2032 11 12
(732) JSC "Georgian Beer Company"
Vill. Saguramo, 3311, Mckheta district,
Georgia

(111) M 2012 23125 R1
(156) 2012 11 29
(186) 2032 11 29
(732) United States Polo Association
1400 Centrepark Boulevard, Suite 200,
West Palm Beach, Florida 33401, USA

(111) M 2012 23126 R1
(156) 2012 11 29
(186) 2032 11 29
(732) United States Polo Association
1400 Centrepark Boulevard, Suite 200,
West Palm Beach, Florida 33401, USA

COMPLETE TRANSFER OF RIGHTS

(111) M 2020 33261 R
(732) Otkrytoe Aktsionerhoe Obshchestvo
"Savushkin Product"
Ia Kupala St. 118, 224028, Brest Belarus
(770) Otkrytoe Aktsionerhoe Obshchestvo
"Kobrinski Maslodelno-Syrodelniy Zavod"
Sovetskaya St. 128, 225304, Kobrin,
Brestskaya Obl., Belarus
(580) 2021 11 15

(111) M 2003 15050 R
(732) Upjohn Manufacturing Ireland
Unlimited Company
Operations Support Group, Ringaskiddy,
County Cork, Ireland
(770) Pfizer Ireland Pharmaceuticals, a private
unlimited liability company incorporated
in Ireland (registered number 490938)
Operations Support Group, Ringaskiddy,
County Cork, Ireland
(580) 2021 11 19

(111) M 1996 3719 R
(732) Covestro Intellectual Property
GmbH & Co. KG
Kaiser-Wilhelm-Allee 60, 51373 Leverkusen,
Germany
(770) Covestro Deutschland AG
Kaiser-Wilhelm-Alee 60, 51373 Leverkusen,
Germany
(580) 2021 12 08

(111) M 1995 744 R
(732) Covestro Intellectual Property
GmbH & Co. KG
Kaiser-Wilhelm-Allee 60, 51373 Leverkusen,
Germany
(770) Covestro Deutschland AG
Kaiser-Wilhelm-Alee 60, 51373 Leverkusen,
Germany
(580) 2021 12 08

(111) M 1996 4186 R
(732) Covestro Intellectual Property GmbH & Co. KG
Kaiser-Wilhelm-Allee 60, 51373 Leverkusen,
Germany
(770) Covestro Deutschland AG
Kaiser-Wilhelm-Alee 60, 51373 Leverkusen,
Germany
(580) 2021 12 08

(111) M 1996 1511 R
(732) Covestro Intellectual Property GmbH & Co.
KG
Kaiser-Wilhelm-Allee 60, 51373 Leverkusen,
Germany
(770) Covestro Deutschland AG
Kaiser-Wilhelm-Alee 60, 51373 Leverkusen,
Germany
(580) 2021 12 08

(111) M 1996 1509 R
(732) Covestro Intellectual Property
GmbH & Co. KG
Kaiser-Wilhelm-Allee 60, 51373 Leverkusen,
Germany
(770) Covestro Deutschland AG
Kaiser-Wilhelm-Alee 60, 51373 Leverkusen,
Germany
(580) 2021 12 08

(111) M 1996 1505 R
(732) Covestro Intellectual Property
GmbH & Co. KG
Kaiser-Wilhelm-Allee 60, 51373 Leverkusen,
Germany
(770) Covestro Deutschland AG
Kaiser-Wilhelm-Alee 60, 51373 Leverkusen,
Germany
(580) 2021 12 08

(111) M 1996 1507 R
(732) Covestro Intellectual Property
GmbH & Co. KG
Kaiser-Wilhelm-Allee 60, 51373 Leverkusen,
Germany
(770) Covestro Deutschland AG
Kaiser-Wilhelm-Alee 60, 51373 Leverkusen,
Germany
(580) 2021 12 08

(111) M 1996 1510 R
(732) Covestro Intellectual Property
GmbH & Co. KG
Kaiser-Wilhelm-Allee 60, 51373 Leverkusen,
Germany
(770) Covestro Deutschland AG
Kaiser-Wilhelm-Alee 60, 51373 Leverkusen,
Germany
(580) 2021 12 08

(111) M 1996 1504 R
(732) Covestro Intellectual Property GmbH & Co. KG
Kaiser-Wilhelm-Allee 60, 51373 Leverkusen, Germany
(770) Covestro Deutschland AG
Kaiser-Wilhelm-Alee 60, 51373 Leverkusen, Germany
(580) 2021 12 08

(111) M 1996 3728 R
(732) Covestro Intellectual Property GmbH & Co. KG
Kaiser-Wilhelm-Allee 60, 51373 Leverkusen, Germany
(770) Covestro Deutschland AG
Kaiser-Wilhelm-Alee 60, 51373 Leverkusen, Germany
(580) 2021 12 08

(111) M 1996 3735 R
(732) Covestro Intellectual Property GmbH & Co. KG
Kaiser-Wilhelm-Allee 60, 51373 Leverkusen, Germany
(770) Covestro Deutschland AG
Kaiser-Wilhelm-Alee 60, 51373 Leverkusen, Germany
(580) 2021 12 08

(111) M 2012 22589 R
(732) LLC "Wine Company Shumi"
Vill. Tsinandali, 2200, Telavi, Georgia
(770) Akaki Tsopurashvili
Saekimo Lane 2, app. 152, 0113, Tbilisi, Georgia
(580) 2021 11 15

(111) M 2012 22729 R
(732) Sun Pharmaceutical Industries Limited [Sun Pharmaceutical Industries Ltd]
Spark, Tandalja, Vadodara – 390 020, Gujarat;
Sun House, 201 B/1, Western Express Highway, Goregaon (E), Mumbai - 400 063, India
(770) Ranbaxy Laboratories Limited
Plot No.90, Sector-32, Gurgaon-122001, Haryana, India
(580) 2021 12 02

(111) M 2013 24162 R
(732) Hewlett-Packard Development Company, L.P.
10300 Energy Drive, Spring, Texas 77389, USA
(770) Kingston Technologi Corporation
17600 Newhope Street, Fountain Valley, California 92708, USA
(580) 2021 12 06

(111) M 2017 28554 R
(732) LLC "Kakhetian Traditional Winemaking"
S. Tsintsadze St. 12, living space 3-6, 3rd fl., 0160, Tbilisi, Georgia
(770) LLC "Berika"
Ilia Chavchavadze Av. 1 Lane 6, app. 80, 0179, Tbilisi Georgia
(580) 2019 05 03

(111) M 2019 31662 R
(732) Techtronic Cordless GP
100 Innovation Way, Anderson SC 29621, USA
(770) Milwaukee Electric Tool Corporation
13135 West Lisbon Road, Brookfield, Wisconsin 53005, USA
(580) 2021 11 26

CHANGES OF NAMES AND/OR ADDRESSES OF OWNERS

(111) M 2021 34361 R

(732) LTD "Chingsi"

M. Tamarashvili Av. 13o, app. 163, Tbilisi,
Georgia

(770) LTD "Jank Food"

M. Tamarashvili Av. 13o, app. 163, Tbilisi,
Georgia

(580) 2021 11 09

(111) M 1998 9430 R

(732) Ifit Inc.

1500 South 1000 West, Logan, Utah
84321, USA

(770) Icon Health & Fitness Inc.

1500 South 1000 West, Logan, Utah
84321, USA

(580) 2021 12 09

(111) M 1998 9780 R

(732) Ifit Inc.

1500 South 1000 West, Logan, Utah
84321, USA

(770) Icon Health & Fitness Inc.

1500 South 1000 West, Logan, Utah
84321, USA

(580) 2021 12 09

(111) M 1998 9784 R

(732) Ifit Inc.

1500 South 1000 West, Logan, Utah
84321, USA

(770) Icon Health & Fitness Inc.

1500 South 1000 West, Logan, Utah
84321, USA

(580) 2021 12 09

(111) M 2003 15050 R

(732) Upjohn Manufacturing Ireland Unlimited
Company

Little Island, Co. Cork, T45 F627, Ireland

(770) Upjohn Manufacturing Ireland

Unlimited Company
Operations Support Group, Ringaskiddy,
County Cork, Ireland

(580) 2021 11 19

(111) M 1997 5519 R

(732) Syngenta Participations AG

Rosentalstrasse 67, 4058 Basel, Switzerland

(770) Syngenta Participations AG

Schwarzwaldallee 215, 4058 Basel,
Switzerland

(580) 2021 12 01

(111) M 1996 2299 R

(732) The Drambuie Liqueur Company Limited
Strathclyde Business Park, Phoenix Crescent,
Bellshill ML4 3AN, United Kingdom

(770) The Drambuie Liqueur Company Limited

18 Westerton Road, Broxburn, Scotland
EH52 5AQ, United Kingdom

(580) 2021 12 02

(111) M 2011 22060 R

(732) Mann+Hummel Purolator Filters LLC

3200 Natal Street, Fayetteville, North Carolina
28306, USA

(770) Purolator filters NA LLC

3200 Natal Street, Fayetteville, North Carolina
28306, USA

(580) 2021 12 10

(111) M 2016 27919 R

(732) Aisin Corporation

2-1 Asahi-machi, Kariya-shi, Aichi-ken,
Japan

(770) Aisin Seiki Kabushiki Kaisha (movatchre

Rogorc Aisin Seiki Ko., Ltd)

2-1 Asahi-machi, Kariya-shi, Aichi-ken,
Japan

(580) 2021 12 07

CANCELLATION OF TRADEMARKS REGISTRATION

(111) M 2001 13855 R

(151) 2001 05 29

(732) General Electric Company
1 River Road, Schenectady,
New York, USA

(141) 2021 12 07

(111) M 2001 13858 R

(151) 2001 05 29

(732) Henkel AG & Co. KgaA
Henkelstrasse 67, 40589 Dusseldorf, Germany

(141) 2021 12 07

(111) M 2001 13862 R

(151) 2001 05 29

(732) Takeda Pharmaceutical Company Limited
1-1, Doshomachi 4-chome, Chuo-ku, Osaka,
Japan

(141) 2021 12 07

(111) M 2001 13852 R

(151) 2001 05 29

(732) EGIS Gyógyszergyár Nyilvánosan Működő
Részvénytársaság
30-38, Keresztúri út. Budapest, H-1106,
Budapest, Hungary

(141) 2021 12 07

(111) M 2001 13869 R

(151) 2001 05 29

(732) Merck Sharp & Dohme Corp.
One Merck Drive, Whitehouse Station,
New Jersey 08889, USA

(141) 2021 12 07

(111) M 2001 13878 R

(151) 2001 05 29

(732) LTD "Savaneti-99"
Tamar Mepe St. 35, 1100, Bolnisi, Georgia

(141) 2021 12 07

(111) M 2001 13879 R

(151) 2001 05 29

(732) LTD "Savaneti-99"
Tamar Mepe St. 35, 1100, Bolnisi, Georgia

(141) 2021 12 07

(111) M 2001 13912 R

(151) 2001 05 29

(732) Colgate-Palmolive Company
300 Park Avenue, New York, NY
10022, USA

(141) 2021 12 07

(111) M 2001 13913 R

(151) 2001 05 29

(732) Philip Morris products S.A.
Quai Jeanrenaud 3, 2000 Neuchatel,
Switzerland

(141) 2021 12 07

(111) M 2001 13917 R

(151) 2001 05 29

(732) Intel Corporation
2200 Mission College Boulevard, Santa Clara,
California 95052-8119, USA

(141) 2021 12 07

(111) M 2001 13896 R

(151) 2001 05 29

(732) John Player & Sons Limited
21 Beckett Way, Park West, Nangor Road,
Dublin 12, Ireland

(141) 2021 12 07

(111) M 2001 13905 R

(151) 2001 05 29

(732) Toyota Jidosha Kabushiki Kaisha
(also trading as Toyota Motor
Corporation)
1, Toyota-Cho, Toyota-Shi, Aichi-Ken, Japan

(141) 2021 12 07

(111) M 2011 21515 P R

(151) 2011 05 25

(732) LTD "Evitbilisi"
Kakheti Highway 110a, Tbilisi, Georgia

(141) 2021 12 06

(111) M 2011 21488 R

(151) 2011 05 25

(732) Gocha Gochashvili
Tashkenti St. 18, app. 33, 0160, Tbilisi,
Georgia

(141) 2021 12 06

(111) M 2011 21489 R
(151) 2011 05 25
(732) Novartis AG
4002 Basel, Switzerland
(141) 2021 12 06

(111) M 2011 21520 R
(151) 2011 05 27
(732) LTD "Globalpharm"
Tamar Mepe Av. 7/13, 0112, Tbilisi, Georgia
(141) 2021 12 06

(111) M 2011 21523 R
(151) 2011 05 27
(732) LTD "Globalpharm"
Tamar Mepe Av. 7/13, 0112, Tbilisi, Georgia
(141) 2021 12 06

(111) M 2011 21524 R
(151) 2011 05 27
(732) LTD "Globalpharm"
Tamar Mepe Av. 7/13, 0112, Tbilisi, Georgia
(141) 2021 12 06

(111) M 2011 21525 R
(151) 2011 05 27
(732) LTD "Globalpharm"
Tamar Mepe Av. 7/13, 0112, Tbilisi, Georgia
(141) 2021 12 06

(111) M 2011 21528 R
(151) 2011 05 27
(732) LTD "Globalpharm"
Tamar Mepe Av. 7/13, 0112, Tbilisi, Georgia
(141) 2021 12 06

(111) M 2011 21497 R
(151) 2011 05 25
(732) Harrington Development Inc.
Elvira Mendez Street, Vallarino bldg.,
3rd Floor, Panama, Republic of Panama
(141) 2021 12 06

(111) M 2011 21498 R
(151) 2011 05 25
(732) LTD "ArtPhorum"
Ilia Chavchavadze Av. 74, 0179, Tbilisi,
Georgia
(141) 2021 12 06
(511) 32, 35

(111) M 2011 21500 R
(151) 2011 05 25
(732) Indivior UK Limited
103-105 Bath Road, Slough, SL 1 3UH,
United Kingdom
(141) 2021 12 06

(111) M 2011 21501 R
(151) 2011 05 25
(732) Betek Boya ve Kimya Sanayi Anonim Şirketi
Kaynarca, Kavakpınar Mah. Tandoğan Cad.
Kocamezarlık Karşisi, Pendik-Istanbul,
Turkey
(141) 2021 12 06

(111) M 2011 21504 R
(151) 2011 05 25
(732) LTD "Aqua Georgia "
Sanapiro St. 6, 0108, Tbilisi, Georgia
(141) 2021 12 06

(111) M 2011 21505 R
(151) 2011 05 25
(732) LTD "Veismark"
Baratashvili St. 6-8-10, 0105, Tbilisi, Georgia
(141) 2021 12 06

(111) M 2011 21506 R
(151) 2011 05 25
(732) Avon International Operations Inc.
1345 Avenue of the Americas, New York,
New York 10105-0196, USA
(141) 2021 12 06

(111) M 2011 21507 R
(151) 2011 05 25
(732) Mars, Incorporated
6885 ELM Street, McLean, Virginia
22101-3883, USA
(141) 2021 12 06

(111) M 2011 21509 R
(151) 2011 05 25
(732) LTD "Berta"
Gorgasali str. 115, 0114, Tbilisi, Georgia
(141) 2021 12 06

(111) M 2011 21511 R
(151) 2011 05 25
(732) Crown Chemical Ltd
48 Mamikonians st., 0051 Yerevan, Armenia
(141) 2021 12 06

(111) M 2011 21512 R
(151) 2011 05 25
(732) LRD "New Way"
Mitropane Laghidze St. 21, 0108, Tbilisi,
Georgia
(141) 2021 12 06

(111) M 2011 21513 R
(151) 2011 05 25
(732) LTD "Balis"
Javakheti St. 64, 0182, Tbilisi, Georgia
(141) 2021 12 06

(111) M 2011 21514 R
(151) 2011 05 25
(732) LTD "Balis"
Javakheti St. 64, 0182, Tbilisi, Georgia
(141) 2021 12 06

(111) M 2011 21529 R
(151) 2011 06 01
(732) Gallaher Limited
Members Hill, Brooklands Road, Weybridge,
Surrey KT13 0QU, United Kingdom
(141) 2021 12 09

CHANGES OF GOODS AND/OR SERVICES OF TRADEMARK

(111) M 1997 6005 R
(732) Cartier international AG
(Cartier international LTD), (Cartier International SA)
Hinterbergstrasse 22, Postfach 61, 6312 Steinhausen, Switzerland
(511) 3, 14
(580) 2021 12 06

CLASSIFICATION INDEXES

INVENTIONS

CONCORDANCE TABLE OF INTERNATIONAL CLASSIFICATION INDEX AND PUBLICATION NUMBERS

INTERNATIONAL CLASSIFICATION INDEXES (51)	NUMBER OF PUBLISHED APPLICATION (10)
A 01 M 99/00; A 01 M 1/026; G 01 N 33/00; G 01 N 27/123; G 01 N 33/0073; G 01 N 33/0047	AP 2021 15397 A
A 61 K 31/137; A 61 K 31/42; A 61 K 31/506; A 61 K 31/551; A 61 K 31/7008; A 61 K 45/06	AP 2021 15226 A
A 61 K 39/05; A 61 K 39/00	AP 2021 15276 A
A 61 K 45/06; A 61 K 31/519; A 61 K 31/337; A 61 P 35/00	AP 2021 15157 A
B 61 H 1/00; F 16 D 69/00; F 16 D 65/06	AP 2021 15524 A

CONCORDANCE TABLE OF PUBLICATION NUMBERS AND INTERNATIONAL CLASSIFICATION INDEX

NUMBER OF PUBLISHED APPLICATION (10)	INTERNATIONAL CLASSIFICATION INDEXES (51)
AP 2021 15157 A	A 61 K 45/06; A 61 K 31/519; A 61 K 31/337; A 61 P 35/00
AP 2021 15226 A	A 61 K 31/137; A 61 K 31/42; A 61 K 31/506; A 61 K 31/551; A 61 K 31/7008; A 61 K 45/06
AP 2021 15276 A	A 61 K 39/05; A 61 K 39/00
AP 2021 15397 A	A 01 M 99/00; A 01 M 1/026; G 01 N 33/00; G 01 N 27/123; G 01 N 33/0073; G 01 N 33/0047
AP 2021 15524 A	B 61 H 1/00; F 16 D 69/00; F 16 D 65/06

UTILITY MODELS

INTERNATIONAL CLASSIFICATION INDEXES (51)	NUMBER OF PUBLISHED APPLICATION (10)
C 01 G 51/00; C 04 B 35/32; H 01 L 35/00	AU 2021 15507 U
F 16 K 1/18; F 16 K 3/04; F 16 K 31/44	AU 2021 15591 U

CONCORDANCE TABLE OF PUBLICATION NUMBERS AND INTERNATIONAL CLASSIFICATION INDEX

NUMBER OF PUBLISHED APPLICATION (10)	INTERNATIONAL CLASSIFICATION INDEXES (51)
AU 2021 15507 U	C 01 G 51/00; C 04 B 35/32; H 01 L 35/00
AU 2021 15591 U	F 16 K 1/18; F 16 K 3/04; F 16 K 31/44

CONCORDANCE TABLE OF INTERNATIONAL CLASSIFICATION INDEX, PATENT NUMBERS AND PUBLICATION NUMBERS

INTERNATIONAL CLASSIFICATION INDEX (51)	NUMBER OF PATENT (11)	NUMBER OF PUBLISHED APPLICATION (10)
A 61 K 36/00; A 61 K 47/10	U 2021 2102 Y	AU 2021 15432 U

CONCORDANCE TABLE OF PATENT NUMBERS, PUBLICATION NUMBERS AND INTERNATIONAL CLASSIFICATION INDEX

NUMBER OF PATENT (11)	NUMBER OF PUBLISHED APPLICATION (10)	INTERNATIONAL CLASSIFICATION INDEX (51)
U 2021 2102 Y	AU 2021 15432 U	A 61 K 36/00; A 61 K 47/10

CONCORDANCE TABLE OF APPLICATION NUMBERS, PUBLICATION NUMBERS AND PATENTS

NUMBER OF APPLICATION (21)	NUMBER OF PUBLISHED APPLICATION (10)	NUMBER OF PATENT (11)
AU 2020 15432	AU 2021 15432 U	U 2021 2102 Y

DESIGN

CONCORDANCE TABLE OF INTERNATIONAL CLASSIFICATION INDEX AND PUBLICATION NUMBERS

INTERNATIONAL CLASSIFICATION INDEXES (51)	NUMBER OF PUBLISHED APPLICATION (10)
02-04	AD 2021 1232 S

CONCORDANCE TABLE OF PUBLICATION NUMBERS AND INTERNATIONAL CLASSIFICATION INDEX

NUMBER OF PUBLISHED APPLICATION (10)	INTERNATIONAL CLASSIFICATION INDEXES (51)
AD 2021 1232 S	02-04

TRADEMARKS

CONCORDANCE TABLE OF REGISTRATION NUMBERS, APPLICATION NUMBERS, PUBLICATION NUMBERS AND BULLETIN NUMBERS

NUMBER OF REGISTRATION (111)	NUMBER OF APPLICATIONS (210)	NUMBER OF PUBLISHED APPLICATIONS (260)	NUMBER OF BULLETIN
1	2	3	4
M 2021 34806 R	AM 115327	–	23(579)2021
M 2021 34807 R	AM 115349	–	23(579)2021
M 2021 34808 R	AM 115590	–	23(579)2021
M 2021 34809 R	AM 115610	–	23(579)2021
M 2021 34810 R	AM 115530	–	23(579)2021
M 2021 34811 R	AM 115608	–	23(579)2021
M 2021 34812 R	AM 105975	AM 2021 105975 A	13(569)2021
M 2021 34813 R	AM 108206	AM 2021 108206 A	13(569)2021
M 2021 34814 R	AM 108878	AM 2021 108878 A	15(571)2021
M 2021 34815 R	AM 109919	AM 2021 109919 A	8(564)2021
M 2021 34816 R	AM 110278	AM 2021 110278 A	10(566)2021
M 2021 34817 R	AM 110288	AM 2021 110288 A	10(566)2021
M 2021 34818 R	AM 110454	AM 2021 110454 A	11(567)2021
M 2021 34819 R	AM 110680	AM 2021 110680 A	14(570)2021
M 2021 34820 R	AM 110551	AM 2021 110551 A	15(571)2021
M 2021 34821 R	AM 110774	AM 2021 110774 A	12(568)2021
M 2021 34822 R	AM 110786	AM 2021 110786 A	12(568)2021
M 2021 34823 R	AM 110787	AM 2021 110787 A	12(568)2021
M 2021 34824 R	AM 110791	AM 2021 110791 A	15(571)2021
M 2021 34825 R	AM 110876	AM 2021 110876 A	12(568)2021
M 2021 34826 R	AM 111320	AM 2021 111320 A	15(571)2021
M 2021 34827 R	AM 111327	AM 2021 111327 A	15(571)2021
M 2021 34828 R	AM 111332	AM 2021 111332 A	15(571)2021
M 2021 34829 R	AM 111417	AM 2021 111417 A	15(571)2021
M 2021 34830 R	AM 111436	AM 2021 111436 A	15(571)2021
M 2021 34831 R	AM 111579	AM 2021 111579 A	15(571)2021
M 2021 34832 R	AM 111588	AM 2021 111588 A	15(571)2021
M 2021 34833 R	AM 111612	AM 2021 111612 A	15(571)2021
M 2021 34834 R	AM 111613	AM 2021 111613 A	15(571)2021
M 2021 34835 R	AM 111614	AM 2021 111614 A	15(571)2021
M 2021 34836 R	AM 115430	–	23(579)2021
M 2021 34837 R	AM 115432	–	23(579)2021
M 2021 34838 R	AM 115742	–	23(579)2021
M 2021 34839 R	AM 115598	–	23(579)2021
M 2021 34840 R	AM 115307	–	23(579)2021
M 2021 34841 R	AM 115308	–	23(579)2021
M 2021 34842 R	AM 115309	–	23(579)2021
M 2021 34843 R	AM 115310	–	23(579)2021
M 2021 34844 R	AM 115311	–	23(579)2021
M 2021 34845 R	AM 115312	–	23(579)2021
M 2021 34846 R	AM 110284	AM 2021 110284 A	10(566)2021
M 2021 34847 R	AM 110293	AM 2021 110293 A	10(566)2021
M 2021 34848 R	AM 110388	AM 2021 110388 A	10(566)2021
M 2021 34849 R	AM 110542	AM 2021 110542 A	12(568)2021
M 2021 34850 R	AM 110544	AM 2021 110544 A	11(567)2021

1	2	3	4
M 2021 34851 R	AM 110675	AM 2021 110675 A	13(569)2021
M 2021 34852 R	AM 110748	AM 2021 110748 A	11(567)2021
M 2021 34853 R	AM 110749	AM 2021 110749 A	16(572)2021
M 2021 34854 R	AM 111425	AM 2021 111425 A	15(571)2021
M 2021 34855 R	AM 111428	AM 2021 111428 A	16(572)2021
M 2021 34856 R	AM 111517	AM 2021 111517 A	15(571)2021
M 2021 34857 R	AM 111541	AM 2021 111541 A	16(572)2021
M 2021 34858 R	AM 111610	AM 2021 111610 A	16(572)2021
M 2021 34859 R	AM 111705	AM 2021 111705 A	16(572)2021
M 2021 34860 R	AM 111719	AM 2021 111719 A	16(572)2021
M 2021 34861 R	AM 111845	AM 2021 111845 A	16(572)2021

CONCORDANCE TABLE OF PUBLICATION NUMBERS
AND APPLICATION NUMBERS

NUMBER OF PUBLISHED APPLICATION (260)	NUMBER OF APPLICATION (210)	1	2
		1	2
AM 2021 103959 A*	AM 103959	AM 2021 113194 A	AM 113194
AM 2021 111153 A	AM 111153	AM 2021 113195 A	AM 113195
AM 2021 111156 A	AM 111156	AM 2021 113199 A	AM 113199
AM 2021 112680 A	AM 112680	AM 2021 113200 A	AM 113200
AM 2021 112689 A	AM 112689	AM 2021 113201 A	AM 113201
AM 2021 112899 A	AM 112899	AM 2021 113202 A	AM 113202
AM 2021 112903 A	AM 112903	AM 2021 113203 A	AM 113203
AM 2021 112904 A	AM 112904	AM 2021 113205 A	AM 113205
AM 2021 112905 A	AM 112905	AM 2021 113209 A	AM 113209
AM 2021 112932 A	AM 112932	AM 2021 113211 A	AM 113211
AM 2021 112933 A	AM 112933	AM 2021 113227 A	AM 113227
AM 2021 112935 A	AM 112935	AM 2021 113228 A	AM 113228
AM 2021 112936 A	AM 112936	AM 2021 113229 A	AM 113229
AM 2021 113013 A	AM 113013	AM 2021 113233 A	AM 113233
AM 2021 113017 A	AM 113017	AM 2021 113240 A	AM 113240
AM 2021 113018 A	AM 113018	AM 2021 113263 A	AM 113263
AM 2021 113024 A	AM 113024	AM 2021 113264 A	AM 113264
AM 2021 113039 A	AM 113039	AM 2021 113267 A	AM 113267
AM 2021 113049 A	AM 113049	AM 2021 113274 A	AM 113274
AM 2021 113051 A	AM 113051	AM 2021 113276 A	AM 113276
AM 2021 113101 A	AM 113101	AM 2021 113279 A	AM 113279
AM 2021 113103 A	AM 113103	AM 2021 113286 A	AM 113286
AM 2021 113104 A	AM 113104	AM 2021 113348 A	AM 113348
AM 2021 113118 A	AM 113118	AM 2021 113362 A	AM 113362
AM 2021 113140 A	AM 113140	AM 2021 113364 A	AM 113364
AM 2021 113143 A	AM 113143	AM 2021 113382 A	AM 113382
AM 2021 113191 A	AM 113191	AM 2021 113383 A	AM 113383
AM 2021 113193 A	AM 113193	AM 2021 113407 A	AM 113407
		AM 2021 113409 A	AM 113409
		AM 2021 113413 A	AM 113413
		AM 2021 113424 A	AM 113424
		AM 2021 113491 A	AM 113491

CONCORDANCE TABLE OF INDEX OF GOODS AND/OR SERVICES
AND APPLICATION NUMBERS

INDEX OF GOODS AND/OR SERVICES (511)	NUMBER OF PUBLISHED APPLICATIONS (260)	1	2
1	2	16	AM 2021 113229 A
1	AM 2021 111153 A	20	AM 2021 112936 A
1	AM 2021 111156 A	20	AM 2021 113101 A
1	AM 2021 113276 A	25	AM 2021 113233 A
3	AM 2021 112933 A	25	AM 2021 113263 A
3	AM 2021 113013 A	28	AM 2021 113227 A
3	AM 2021 113018 A	28	AM 2021 113240 A
3	AM 2021 113049 A	29	AM 2021 113024 A
3	AM 2021 113103 A	29	AM 2021 113264 A
3	AM 2021 113104 A	30	AM 2021 113209 A
3	AM 2021 113211 A	30	AM 2021 113240 A
3	AM 2021 113362 A	30	AM 2021 113264 A
3	AM 2021 113364 A	30	AM 2021 113279 A
3	AM 2021 113424 A	30	AM 2021 113382 A
3	AM 2021 113491 A	31	AM 2021 113209 A
4	AM 2021 111153 A	31	AM 2021 113228 A
4	AM 2021 111156 A	32	AM 2021 103959 A*
5	AM 2021 112680 A	32	AM 2021 113209 A
5	AM 2021 112899 A	32	AM 2021 113264 A
5	AM 2021 112903 A	33	AM 2021 112935 A
5	AM 2021 112933 A	33	AM 2021 113017 A
5	AM 2021 113018 A	33	AM 2021 113209 A
5	AM 2021 113039 A	33	AM 2021 113233 A
5	AM 2021 113191 A	33	AM 2021 113264 A
5	AM 2021 113193 A	34	AM 2021 112932 A
5	AM 2021 113194 A	34	AM 2021 113274 A
5	AM 2021 113195 A	34	AM 2021 113407 A
5	AM 2021 113199 A	34	AM 2021 113409 A
5	AM 2021 113200 A	34	AM 2021 113413 A
5	AM 2021 113201 A	35	AM 2021 111153 A
5	AM 2021 113202 A	35	AM 2021 111156 A
5	AM 2021 113203 A	35	AM 2021 112904 A
5	AM 2021 113211 A	35	AM 2021 112905 A
5	AM 2021 113276 A	35	AM 2021 112936 A
5	AM 2021 113362 A	35	AM 2021 113017 A
5	AM 2021 113364 A	35	AM 2021 113205 A
5	AM 2021 113491 A	35	AM 2021 113227 A
6	AM 2021 112936 A	35	AM 2021 113228 A
7	AM 2021 113276 A	35	AM 2021 113229 A
9	AM 2021 111153 A	35	AM 2021 113263 A
9	AM 2021 111156 A	35	AM 2021 113276 A
9	AM 2021 113348 A	35	AM 2021 113362 A
9	AM 2021 113413 A	37	AM 2021 111153 A
11	AM 2021 112932 A	37	AM 2021 111156 A
11	AM 2021 113413 A	37	AM 2021 112936 A
12	AM 2021 111153 A	37	AM 2021 113229 A
12	AM 2021 111156 A	38	AM 2021 113229 A
12	AM 2021 112689 A	39	AM 2021 111153 A
12	AM 2021 112936 A	39	AM 2021 111156 A
12	AM 2021 113140 A	39	AM 2021 112689 A
		39	AM 2021 112936 A
		39	AM 2021 113051 A

1	2
39	AM 2021 113228 A
40	AM 2021 112936 A
41	AM 2021 112936 A
41	AM 2021 113229 A
42	AM 2021 113229 A
43	AM 2021 113118 A
43	AM 2021 113143 A

1	2
43	AM 2021 113205 A
43	AM 2021 113209 A
43	AM 2021 113286 A
43	AM 2021 113383 A
44	AM 2021 113276 A
45	AM 2021 113267 A

**CONCORDANCE TABLE OF INDEX OF GOODS AND/OR SERVICES
AND NUMBERS OF TRADEMARKS REGISTERED ACCORDING
TO THE ACCELERATED PROCEDURE**

INDEX OF GOODS AND/OR SERVICES (511)	NUMBERS OF REGISTERED ACCORDING TO THE ACCELERATED PROCEDURE (111)
4	M 2021 34839 R
5	M 2021 34808 R
7	M 2021 34839 R
12	M 2021 34839 R
19	M 2021 34840 R
19	M 2021 34841 R
19	M 2021 34842 R
19	M 2021 34843 R
19	M 2021 34844 R
19	M 2021 34845 R
21	M 2021 34838 R
29	M 2021 34806 R
29	M 2021 34810 R
30	M 2021 34806 R
30	M 2021 34810 R
30	M 2021 34811 R
32	M 2021 34810 R
35	M 2021 34806 R
35	M 2021 34810 R
35	M 2021 34837 R
35	M 2021 34838 R
37	M 2021 34836 R
37	M 2021 34837 R
37	M 2021 34839 R
43	M 2021 34809 R
43	M 2021 34811 R
44	M 2021 34807 R

OFFICIAL BULLETIN OF THE INDUSTRIAL PROPERTY

INVENTIONS
UTILITY MODEL
DESIGNS
TRADEMARKS
GEOGRAPHICAL INDICATIONS

23(579)

EDITOR-IN-CHIEF: N. Bebrishvili

EDITOR-TRANSLATOR: E. Gabunia

PROOFREADER: A. Shikhashvili

COMPUTER LAYOUT: M. Ordenidze
K. Svanidze

info@sakpatenti.gov.ge
www.sakpatenti.gov.ge