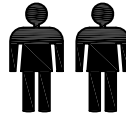


DESCRIPTION: BARNARD SIDE OTTOMAN 5FT TV BED

1 HOURS

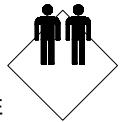
APPROXIMATE ASSEMBLY TIME

2 PERSON ASSEMBLY



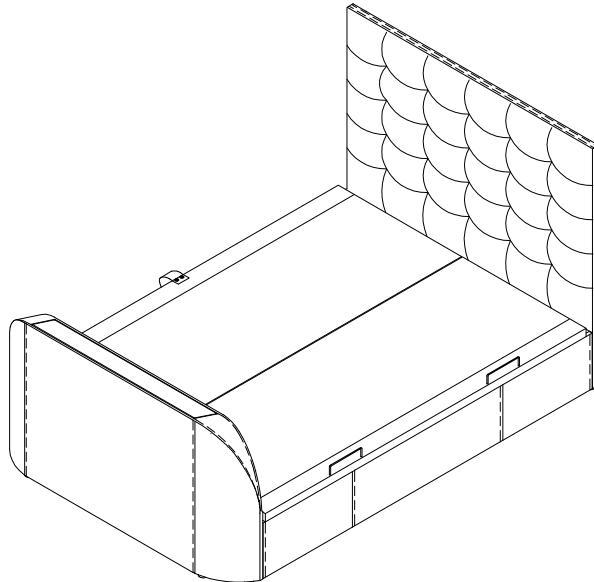
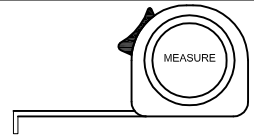
FLOOR AREA
2.0m X 2.7m

REQUIRED ASSEMBLY SPACE



ASSEMBLY INSTRUCTIONS

REQUIRED ASSEMBLY TOOLS



Important Information

- We suggest you spend a short time reading through this leaflet and then follow the simple step-by-step instructions.
- Carefully check that you have all the parts before beginning assembly.
- Keep fittings out of children's reach and keep children well away from construction area.
- We suggest you retain these instructions for future reference.

Product Information

- Side Lift Up Storage TV bed.
- Upholstered Bed. Conforms to BS 1725 & BS 5852.
- TV Lift system has a maximum load capacity of 80lbs (37kg)
- Compatible with slimline LED televisions with a screen size of 20" to 42".
- Maximum T.V dimensions D75mm x W970mm x H580mm (WITHOUT STAND)

Care Instructions

- Avoid exposing the furniture to excessive heat or direct sunlight as this can cause cracking and deterioration of the color.
- Periodically check & re-tighten any fastener.
- Periodically dust lightly with a clean soft cloth.
- Do not use silicone based furniture polish.
- Any spills should be removed immediately with a soft damp cloth.
- TAKE CARE WHEN MOVING THE FURNITURE AND NEVER DRAG THE PIECES ACROSS THE FLOOR, AS THIS WILL CAUSE DAMAGE TO THE JOINTS.



Comforms To : CE_LIFT_UK Controller unit Linear actuator in UK (LVD + EMC + RoHS):

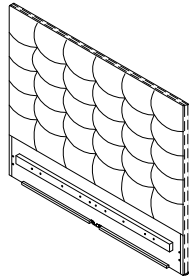
-EN 60335-1; EN 62233; EN 55014-1; EN55014-2; EN 61000-3-2; EN 61000-3-3;
EN 61558-2-16; EN 61558-1; EN 62321

CE_REMOTE_UK For Controller unit Handset in UK (EMC + RF):

-EN 301489-1; EN 301489-3; EN 300440; EN 62479

Components of Carton 1

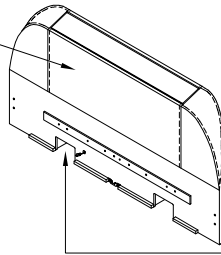
(A) Headboard x 1



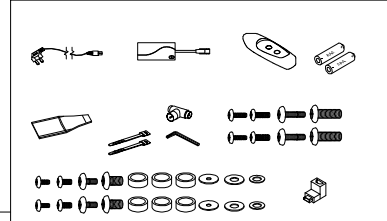
Component of Carton 2

(B) Footboard x 1

TV Mechanism
pre-fixed in the foot end

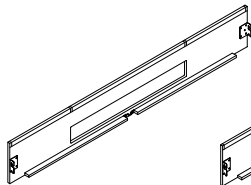


Hardware Box

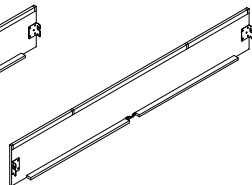


Components of Carton 3

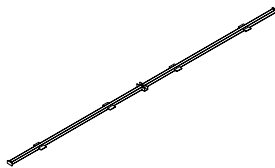
(C) Side Rail-1 x 1



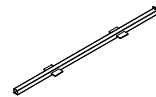
(D) Side Rail-2 x 1



(E) Bottom Cross Bar x 1
(Long)



(F) Bottom Cross Bar x 2
(Short)



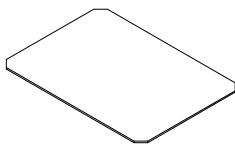
Hardware
Bag

(G) Centre Support Leg x 1



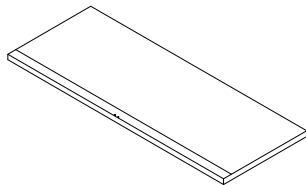
Components of Carton 4

(H) Base Panel x 4

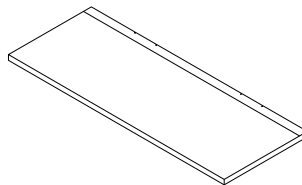


Components of Carton 5

(I) Front Lift Base x 1

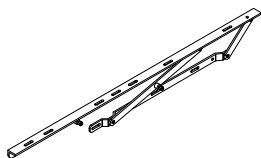


(J) Back Lift Base x 1

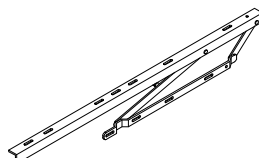


Component of Carton 6

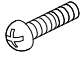

(K) Lift Up Mechanism Left x 1



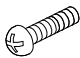

(L) Lift Up Mechanism Right x 1



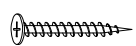
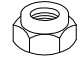
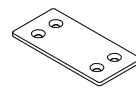


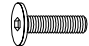

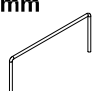


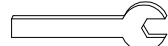
Hardware List (in Carton 1)

<p>(M) M8 x 25mm x 9 (Pre-Installed)</p>  <p>(Carton 1)</p>	<p>(N) M8 x 18mm x 5 (Pre-Installed)</p>  <p>(Carton 1)</p>	
--	--	--

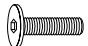

Hardware List (in Carton 2)

<p>(M) M8 x 25mm x 9 (Pre-Installed)</p>  <p>(Carton 2)</p>	<p>(N) M8 x 18mm x 5 (Pre-Installed)</p>  <p>(Carton 2)</p>	
--	--	--

Hardware List (in Carton 3)

<p>(O) #8 x 1-1/4" x 16</p>  <p>(Carton 3)</p>	<p>(P) M8 x 13mm x 4</p>  <p>(Carton 3)</p>	<p>(Q) 3 X 40 x 86mm x 4</p>  <p>(Carton 3)</p>	<p>(R) Strap Handle x 1</p>  <p>(Carton 3)</p>
<p>(S) Gas Spring x 2</p> <p style="text-align: center;">* KING 1000N</p>  <p>(Carton 3)</p>	<p>(T) M6 x 20mm x 2</p>  <p>(Carton 3)</p>	<p>(U) M6 x 16mm x 2</p>  <p>(Carton 3)</p>	
<p>(V) Ø5 x 80 x 200mm x 2</p>  <p>(Carton 3)</p>	<p>(W) Screw Driver x 1</p>  <p>(Carton 3)</p>	<p>(X) Allen Key (M4) x 1</p>  <p>(Carton 3)</p>	<p>(Y) Spanner x 1</p>  <p>(Carton 3)</p>

Hardware List (in Carton 5)

<p>(Z) M6 x 20mm x 14 (Pre-Installed)</p>  <p>(Carton 5)</p>	<p>(AA) M6 x 16mm x 14 (Pre-Installed)</p>  <p>(Carton 5)</p>	
---	--	--

Tips before you start!

1. Please check that all parts are present before you start the assembly of your furniture.
2. For ease and speed of assembly, we recommend that before you commence each step of the assembly, that you identify all the parts required for that step.
3. For larger items, please ensure that you have sufficient space and people (as indicated on page 1) to assemble your product safely. (Minimum Two Persons)
4. We recommend where possible, all items are assembled near to the area where they will be placed in use, to avoid moving the product unnecessarily once assembled.
5. Please ensure that your bed is placed on a level floor area. (Avoid setting up and installing your bed on uneven floor surface.)
6. For the protection of your furniture, we recommend that the product is placed on a protected surface during assembly to prevent any damage.
7. During assembly please take care not to over-tighten any fittings, as this may damage the product.

Care and Maintenance of your Furniture

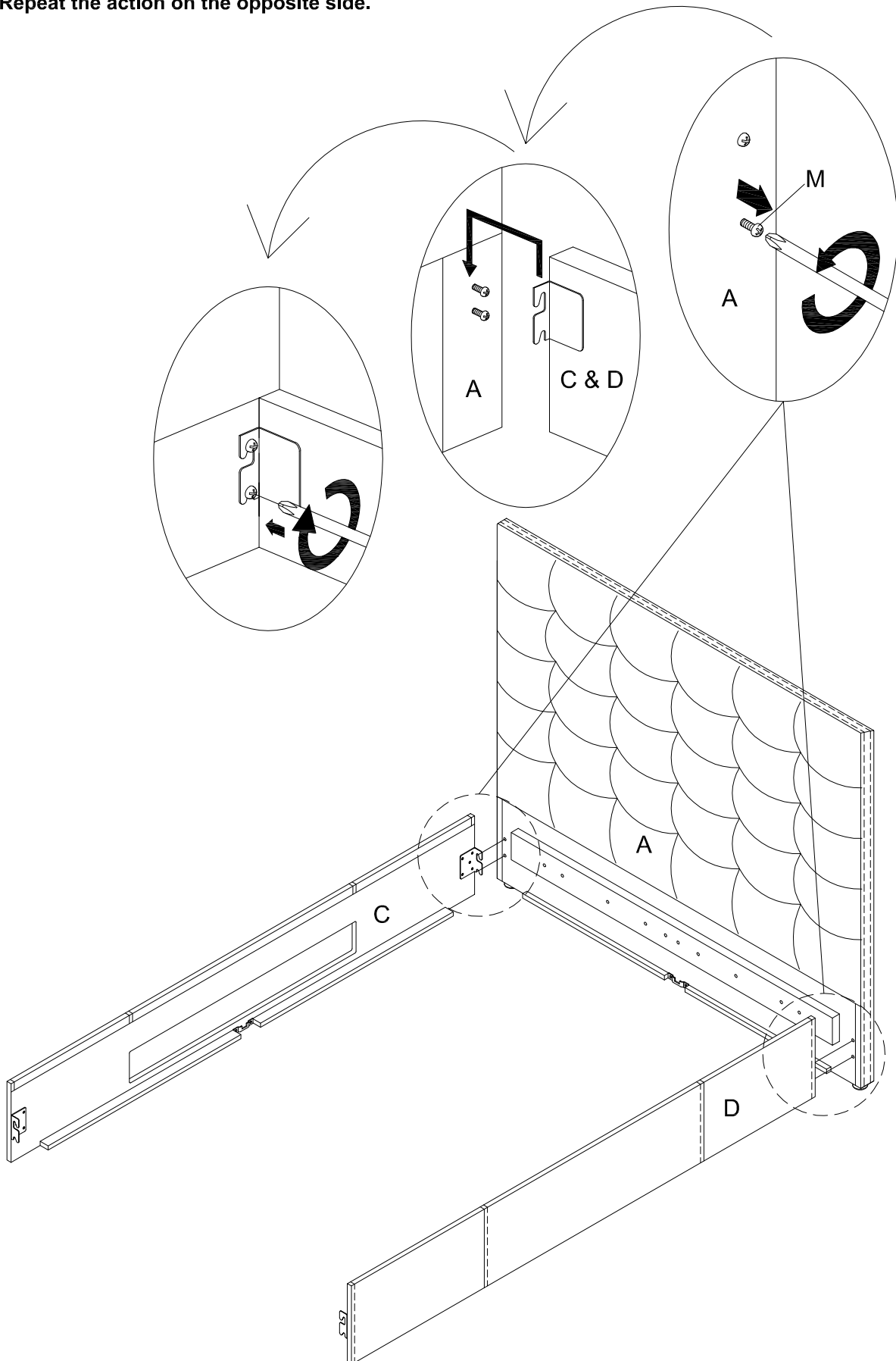
- Please do not jump on your furniture.
- Never allow any kind of liquid to remain on your furniture. This can cause finishes to de-laminate. Take care when spraying Perfume and deodorants etc as the vapour can settle on the fabric surface and cause damage.
- Periodically check the condition of your bed slats and plastic locating caps to ensure they are in good condition and have not become loose.
- The bed should always be lifted into position if moved for cleaning.

CARE INSTRUCTIONS FOR VELVET FABRIC

- **If liquid has spilled onto the velvet, soak it up with a paper towel or cloth. Make sure there is no food or debris left on the material. Combine a small amount of dish soap and water in a bucket, mixing it until it become soapy. Soak the cloth in the soapy water and apply it gently to the stain. Use the soapy cloth to blot the stain until it disappears. It is important for the velvet fabric to dry quickly. Use a hair dryer luke warm to accelerate the drying process.**
- **Carefully apply the upholstery cleaner to velvet with soft sponge, leaving the velvet's pile undisturbed. After it is clean, be sure to vacuum and brush the velvet follow the grain always.**
- **A steam cleaner is perfect for removing stains, dirt and debris, disinfecting the velvet fabric, without leaving any damage to it. If you have it, apply it on your velvet upholstery for cleaning it with better results.**
- **If you have concerns regarding liquid/stain removal on your product, please consult a professional cleaning company.**

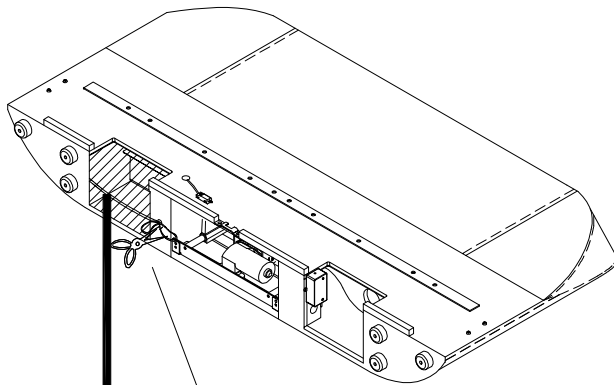
Step 1

- Before assembly please decide which side you require the part 'C' side rail with opening and place it at that side.
- Loosen the bolts located in the head end. (Note: only loosen the bolts Do **NOT** remove them.)
- Hook the side rail over the bolts as shown.
- Repeat the action on the opposite side.



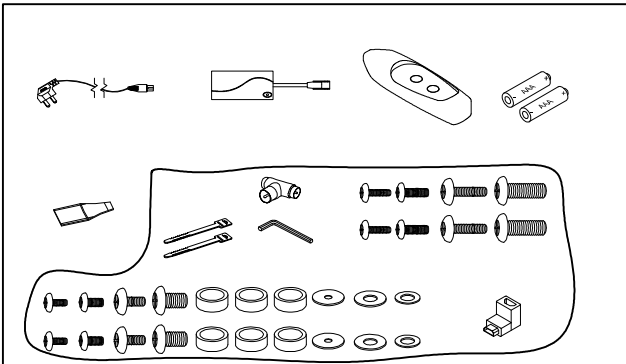
Step 2

- Carefully remove the footboard from carton 2, remove the Hardware Box and all extra transportation packaging from inside.
- To do this you will need to gently lay the foot end on it's back. Before doing so please ensure the area is completely free of anything that may cause damage or press into the fabric. Place a protective cover on the floor to avoid possible damage.
- The controls and hardware are held in place by string please carefully cut these and remove.

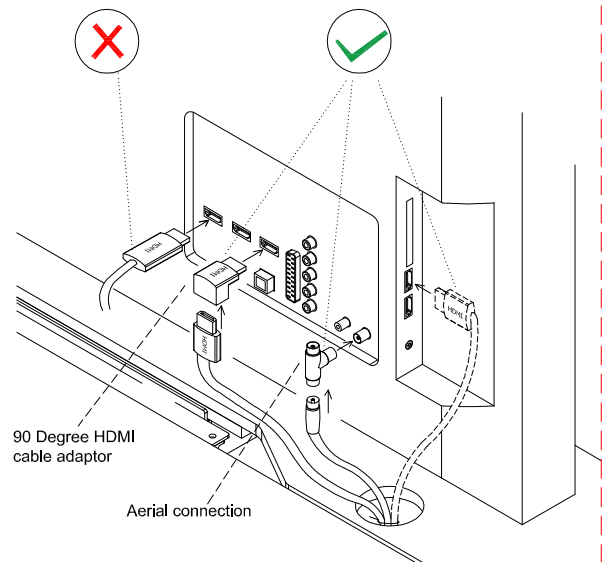


CAUTION:
PLEASE USE SCISSORS TO CUT
THE STRING.
TAKE CARE WHEN REMOVING
THE ACCESSORY BOXES NOT
TO CATCH YOUR HANDS ON
THE SIDES.

Hardware Box

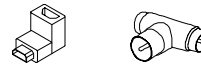


YOUR TELEVISION REAR VIEW HDMI CABLE PLUG POSITION POSSIBLE SCENARIO'S



Attention Please Note : Connecting Your HDMI or Aerial Cable as shown in diagram (X) can seriously Damage Your TV sockets.

To reduce this possibility we have supplied 90 degree adaptors for both HDMI and Aerial connections.



This will reduce the cable protrusion and lessen the possibility of the cable colliding with the bed frame.

These can be found in the bed frame hardware pack located in Box B (foot end). Please refer to the diagram above for the correct fitting of cables. More detailed information can also be found on step 15 of your assembly instructions.

The manufacturer or retailer will not accept responsibility for any damages arising from incorrect installation.

ATTENTION! PLEASE NOTE:

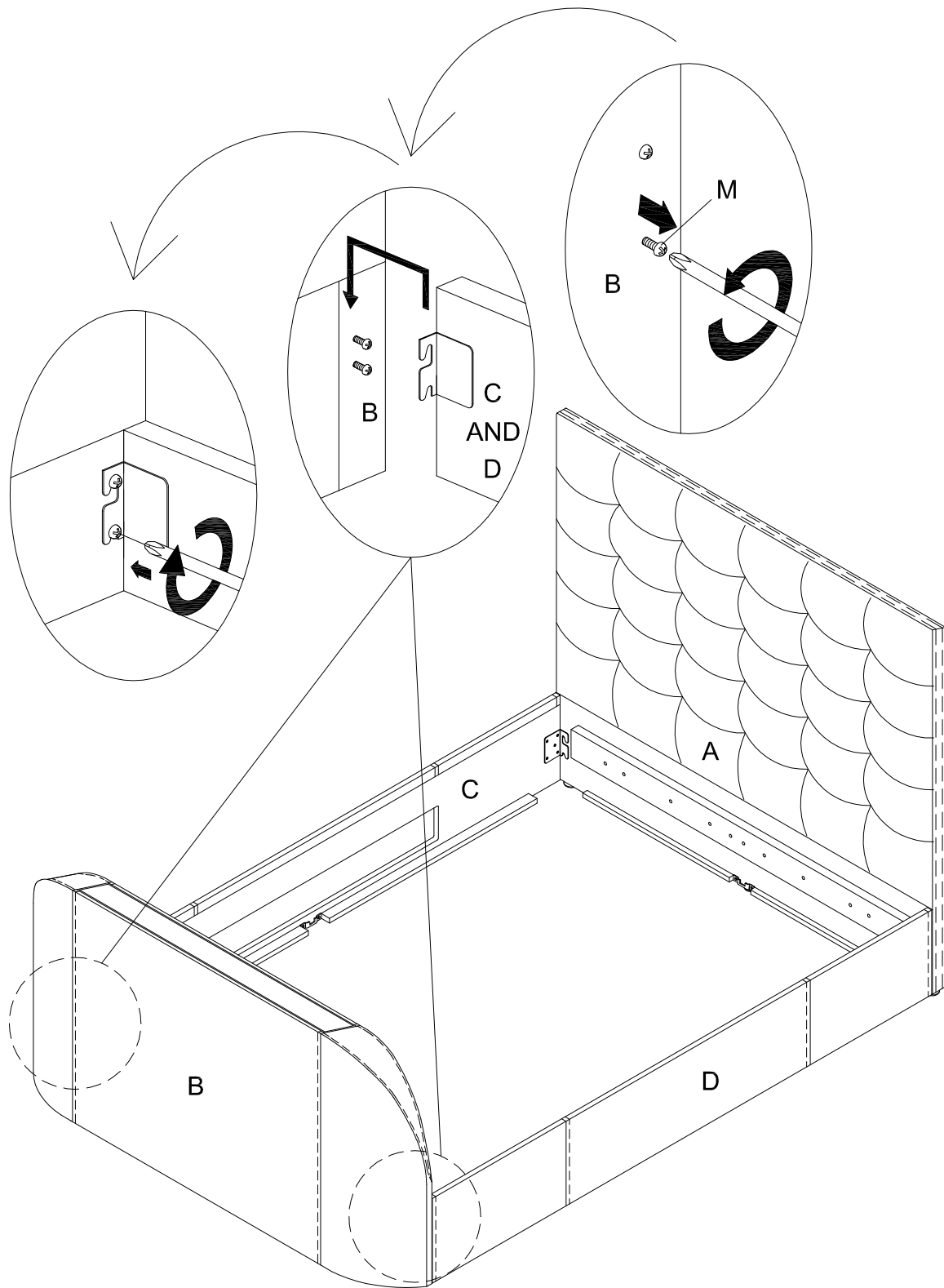
In the event you are experiencing any technical difficulties and you require additional assistance/ support with your product 'Mechanical/ Electrical' function - Please visit:

UK PRODUCT SUPPORT HOTLINE : 01462600064

Contact your retailer for all other issues such as damage, missing or faulty components (non electrical) or anything else of a non technical/electrical nature.

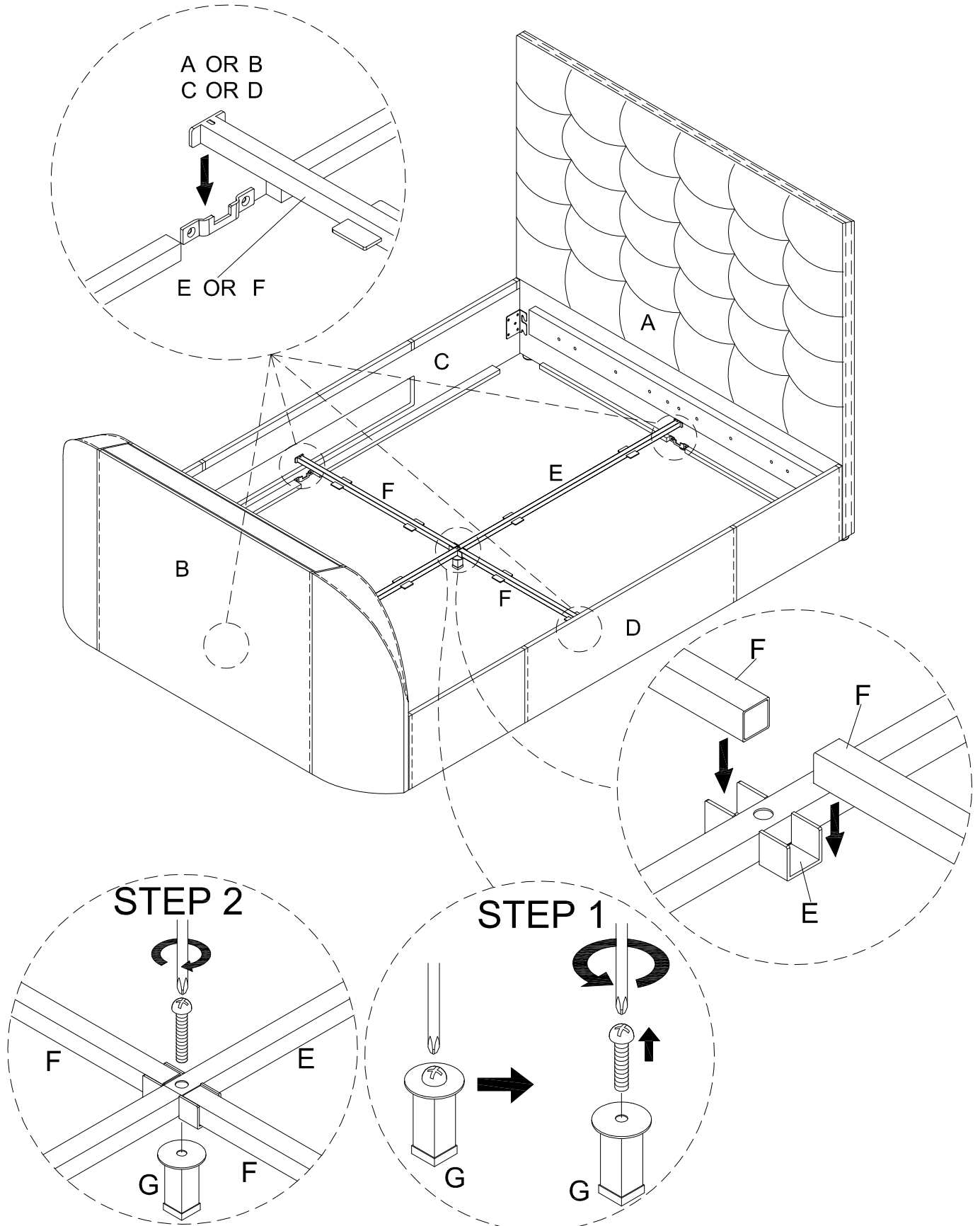
Step 3

- Carefully lift the foot end back to it's upright position.
- Loosen the bolts located in the foot end.
- Please note these should only be loosened and NOT removed.
- Hook the side rail brackets over the bolts on both sides.



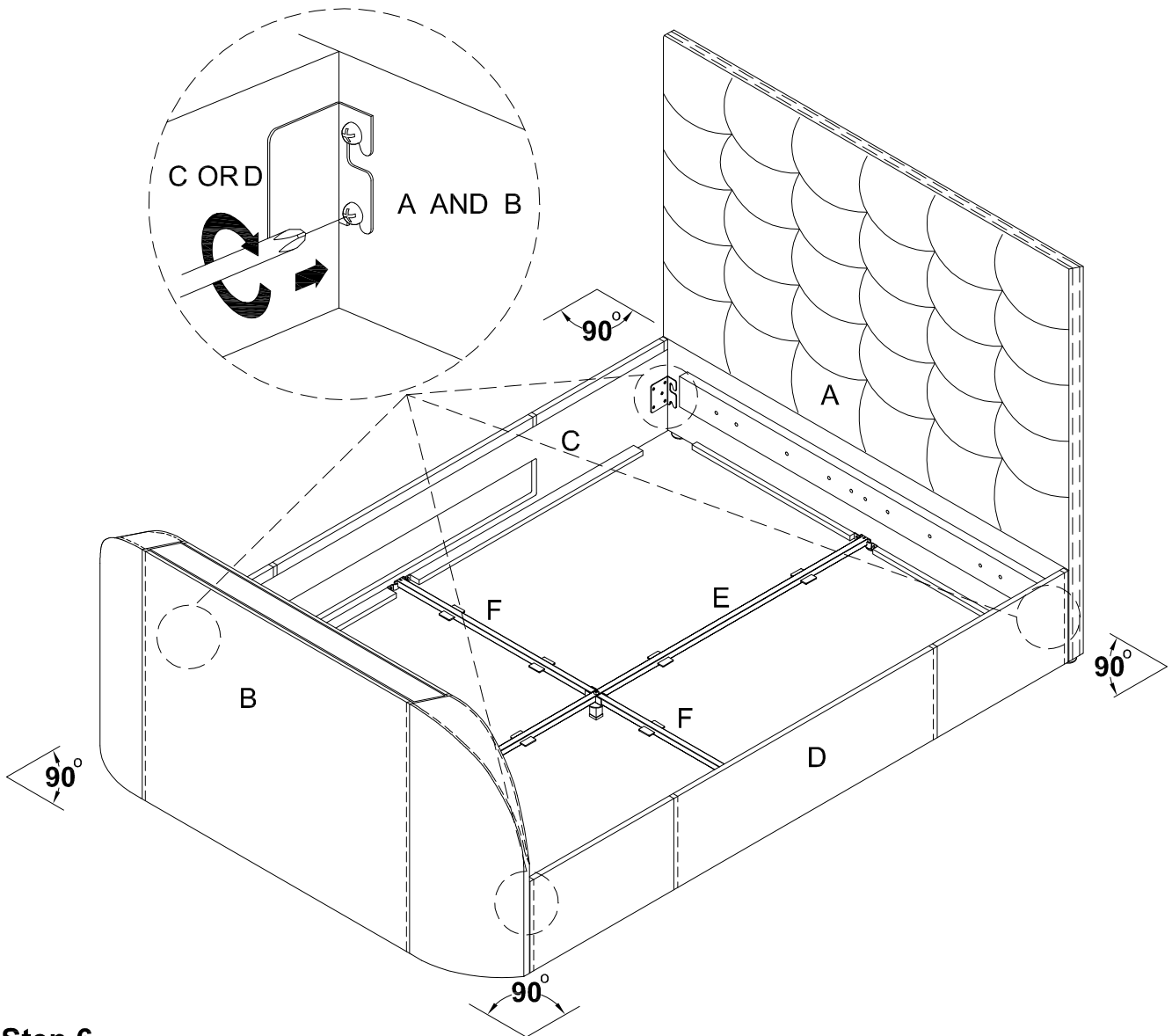
Step 4

- Hook the bottom cross bar long to the headboard & footboard as shown.
- Hook the bottom cross bar short to the side rail to the center of bottom cross bar long as shown.
- Take out the bolt from centre support leg & assemble to the centre of bottom cross bar as shown.



Step 5

- Tighten all the bolts in headboard , footboard and side rail as shown.
- Make sure the four bedframe interior angles are at 90°.



Step 6

- Installing Batteries in the Wireless Remote Control.

Battery:

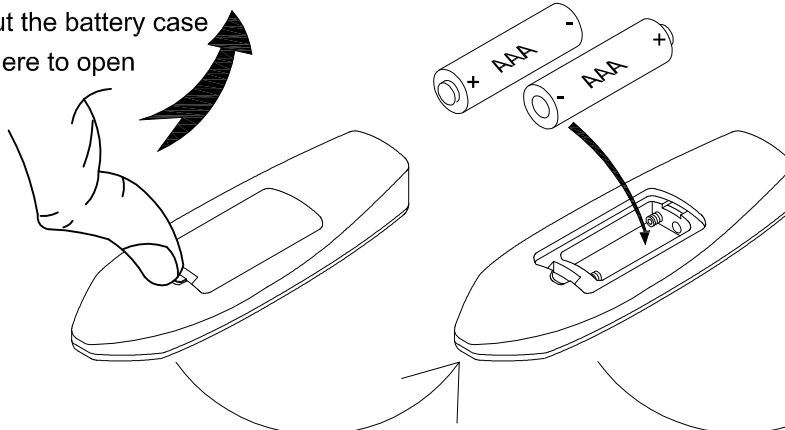
Size: AAA - Ø10.5 X T44.5mm

Spec.: 1.5V

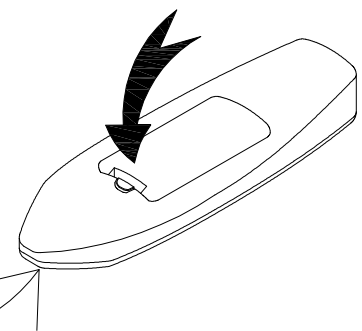
(AAA) Batteries x 2pcs (provided) install to battery case.

Caution: May explode or leak if recharged, inserted improperly, mixed with different battery types. Do not open battery. Dispose of used batteries promptly. Keep away from children.

Pull out the battery case from here to open



Close the battery cover and press it down until it clicks into place.



Step 7

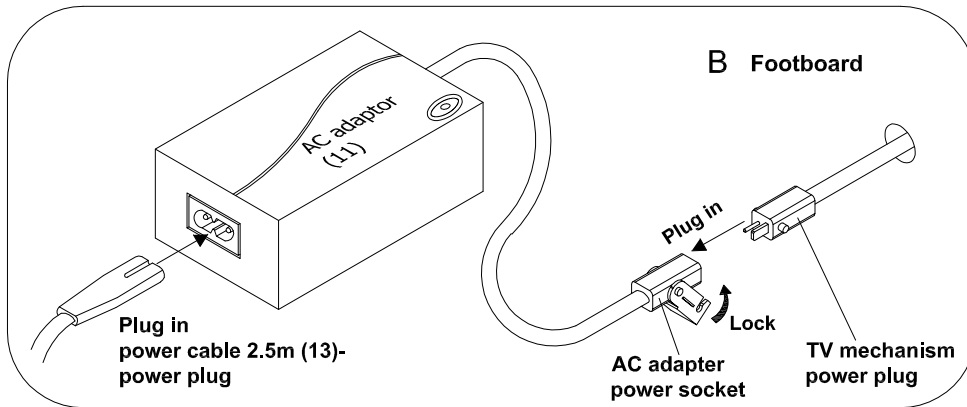
- Connecting the TV mechanism cable as shown. It is essential that connecting to the power supply is done in this order. Failure to do so will result in damage to your product.

Step7-1 Connect the Power Cable (13) to the AC adaptor (11), then plug the AC adaptor power socket into the TV mechanism power plug, which is pre-installed in the footboard, as shown.

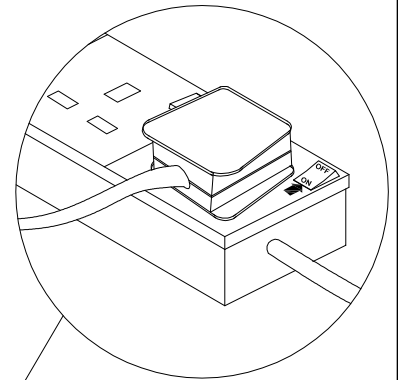
Step7-2 Connect the power cable (13) power plug into an extension lead (not provided), then switch on.

Step7-3 Switch on the main power supply.

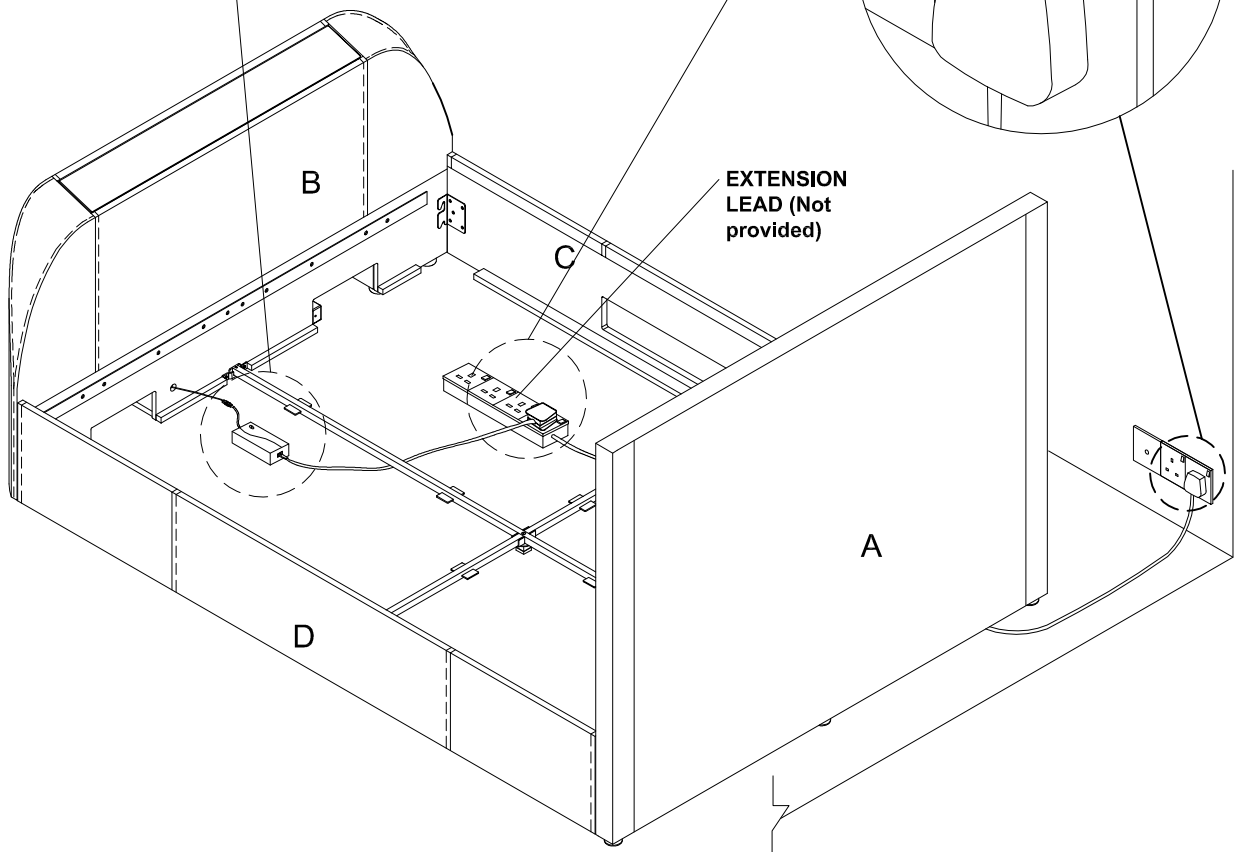
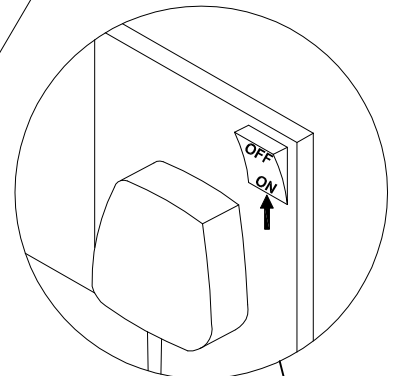
STEP 1



STEP 2

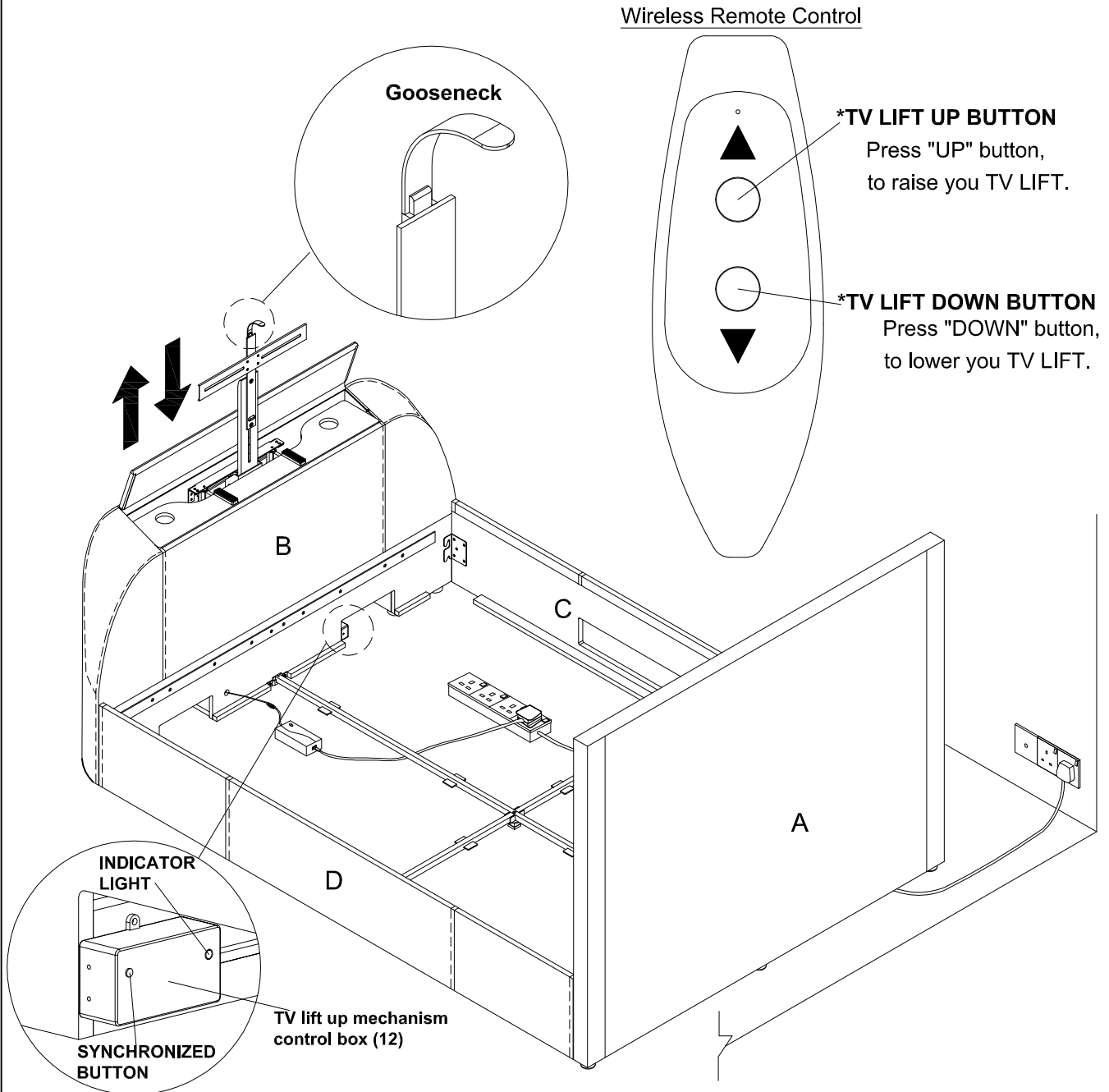


STEP 3



Step 8

- Continually press the "UP" switch on the wireless remote control, which will then lift the TV mechanism up until the footboard TV lid will opens its full extent. Continually press the "DOWN" switch on the wireless remote control to lower the TV mechanism.
- If the wireless remote control does not operate the TV lift mechanism, please follow the **SYNCHRONIZED SETTING** shown in below.



TV LIFT MECHANISM CONTROL BOX SYNCHRONIZATION

- Ensure there are two working batteries fitted correctly inside the remote control.
 - For initial start up, must synchronize the wireless remote control & control box.
- A) Press and hold the synchronization button on the TV lift control box located in the right hand mouse hole for 3 seconds, the indicator light will be flash red.
 - B) Simultaneously, press together the up and down button on wireless remote control continuously for 3 seconds until the control box indicator light turn from the flash red to the long bright. This means the synchronization was success and can unclasp fingers from wireless remote control.
 - C) Now the wireless remote control is ready to use.
 - D) If the above step haven't been done within the 30 seconds, then the synchronization was not success and need to repeat the step again.

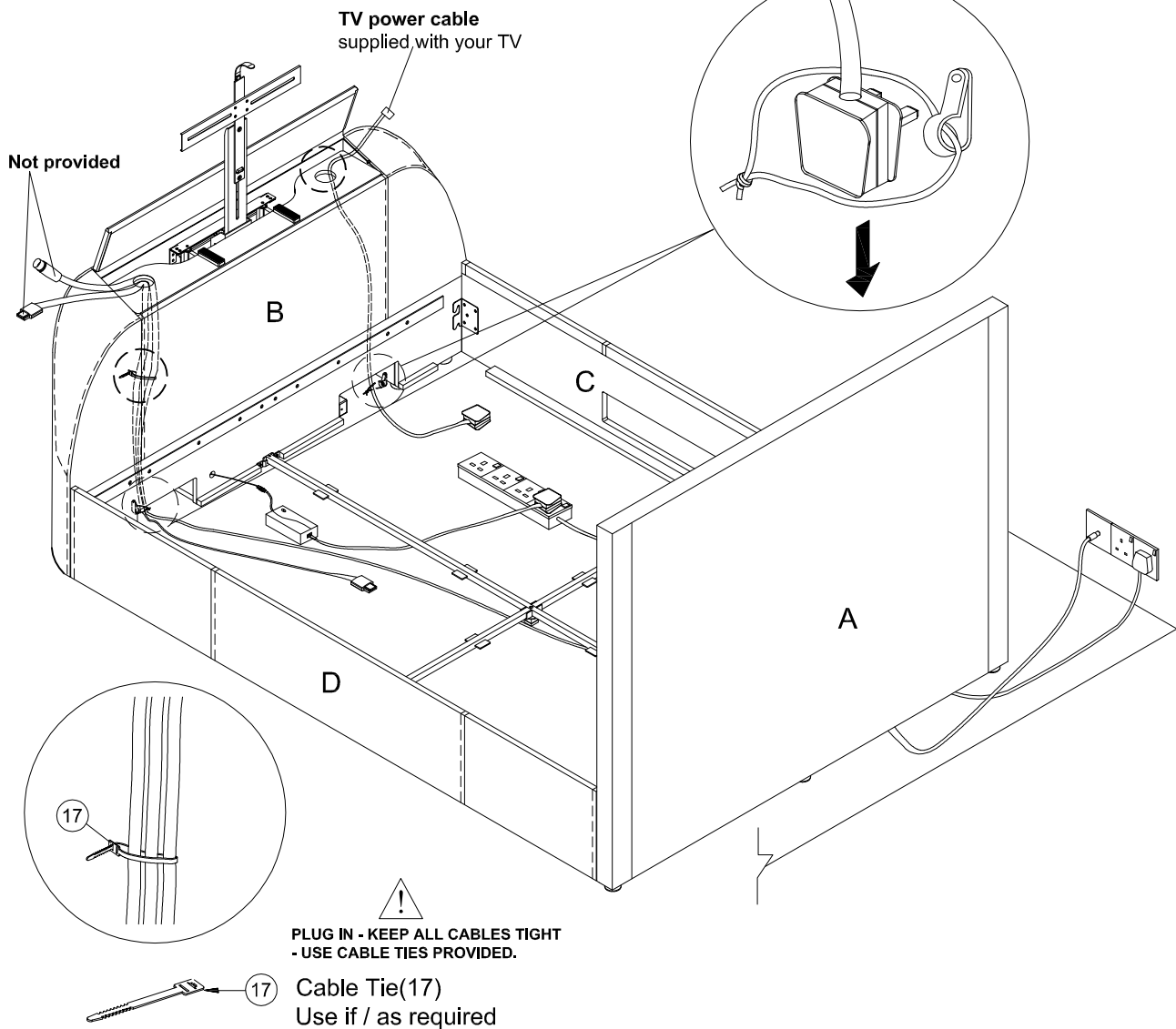
Step 9

- Cable connection plan. Make sure you have all the relevant cable connections required (HDMI cable, TV Aerial cable, TV power cable, Optical cable etc...) before you install the TV.
- The cable management holes are to help you to manage the cable and keep them tidy and free from snags. Pass all cables cleanly through these holes. While ensuring any cable slack is taken up from the bottom end of the footboard.

TIP:

Before fitting the TV, pass any cables through the cable management holes from the top to the bottom, while ensuring the cables slack is taken up from the bottom end of the footboard, choose the best side to use depending on where the connection ports are, on back of your TV.

All TV, HDMI, Aerial, optical cables MUST go through the bungee cable at the Left /Right hand side of mouse hole. From a position looking at the TV screen.



Place all cables through the 'Cable Management' holes to prevent any damage to the cable when the TV Lift Mechanism is operating. Make sure all your the cables are long enough to let the TV Lift Mechanism move freely.

All the cables MUST be carefully pulled and fully extended.

Group the cables together as required below the TV Tray using cable tie(17) provided.

Step 10

- Adjust the TV tray to suit the height of your TV (without stand). Please follow step below.

10.1 : Make a note of the height (without stand!) of your television.

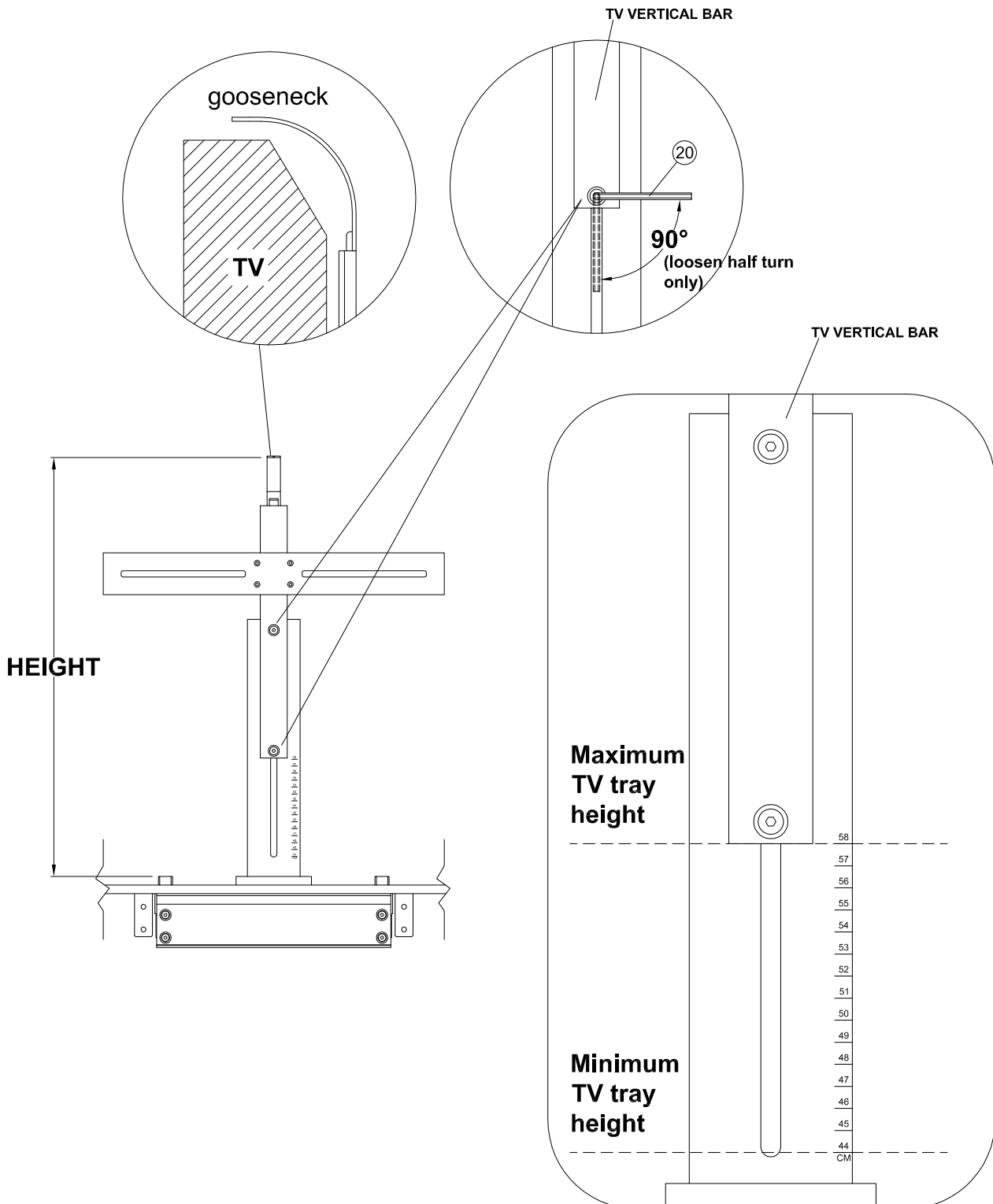
10.2 : Use the Allen key (20) to slightly loosen the bolts-half turn only, do not remove all.

(Please refer diagram below)

10.3 : Slide "UP/ Down the TV vertical bar to using the measure line to match the noted height of your TV, then fully tighten the bolts.

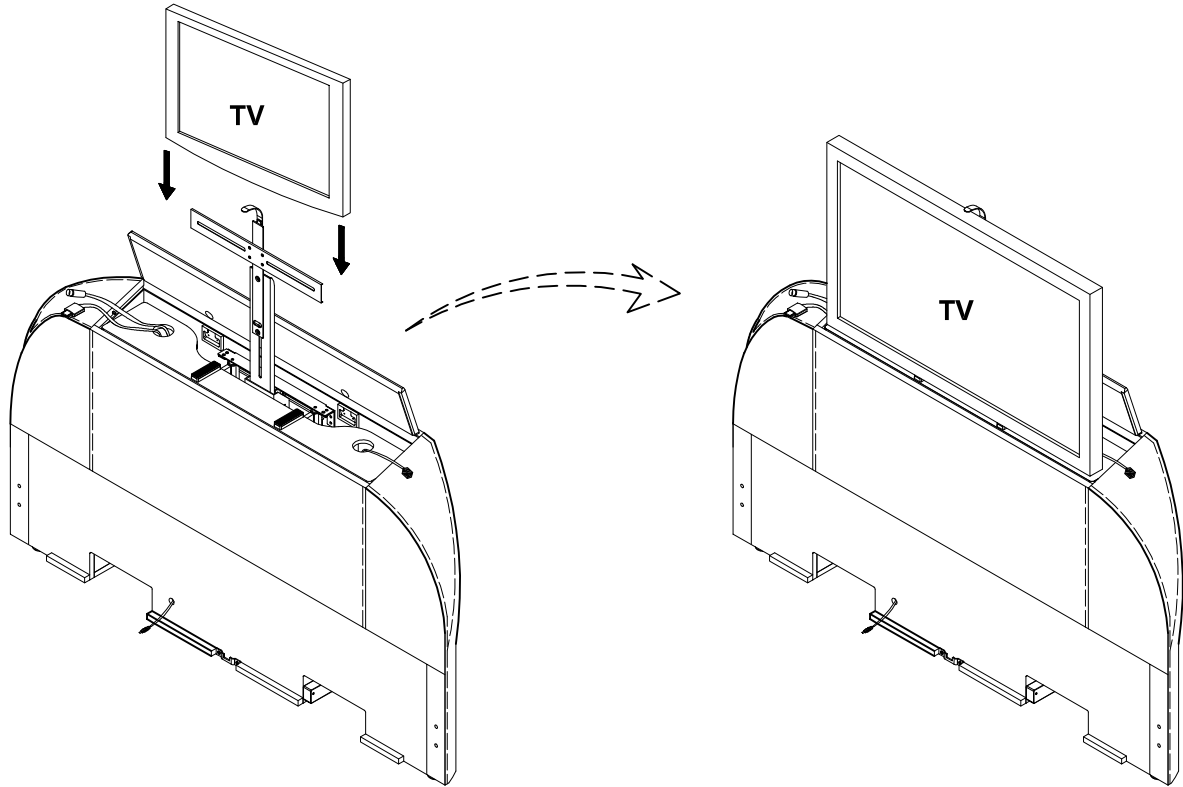
10.4 : When the TV is mounted it should sit neatly just underneath the Gooseneck.

Note: The minimum height of the TV Tray is 440mm which accommodates any of the smaller TV heights (without stand) below 440mm.



Step 11

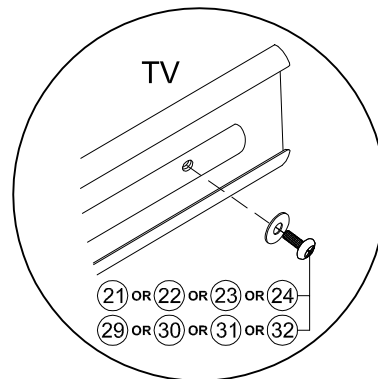
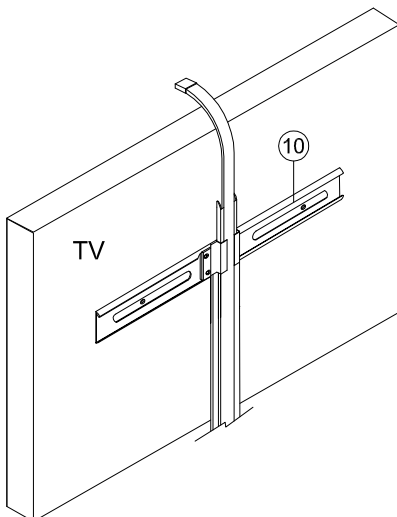
- You are now ready to install your TV.
- Raise the mechanism to its highest position.
- While standing behind your television (on the outside end of the footboard).
- Carefully place the TV on top of the two rubber TV mounting pedestals - ensuring the Gooseneck arm is perfectly in line with the horizontal 'centre' of the TV.



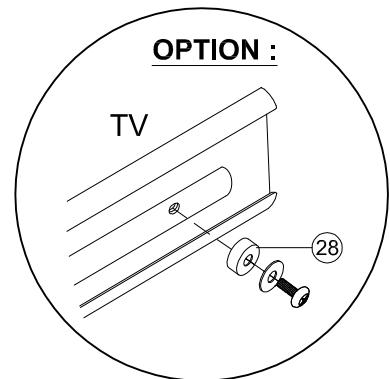
Step 12

- TV Flat Bracket (vesa bracket).

Please note : Item (21) or (22) or (23) or (24) or (29) or (30) or (31) or (32) screws have been supplied to fit most TV models. However sizes may vary depending on the TV model. If smaller or larger size screws are required these should be source from your local hardware store or TV specialist. Washers may also be required. Your retailer may also supply alternative fixings depending on the TV model supplied at the time.



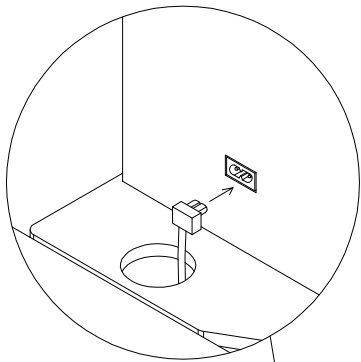
BOLT	(21)	(22)	(23)	(24)
BOLT	(29)	(30)	(31)	(32)
WITH	↓	↓	↓	↓
WASHER	(25)	(25)	(26)	(27)



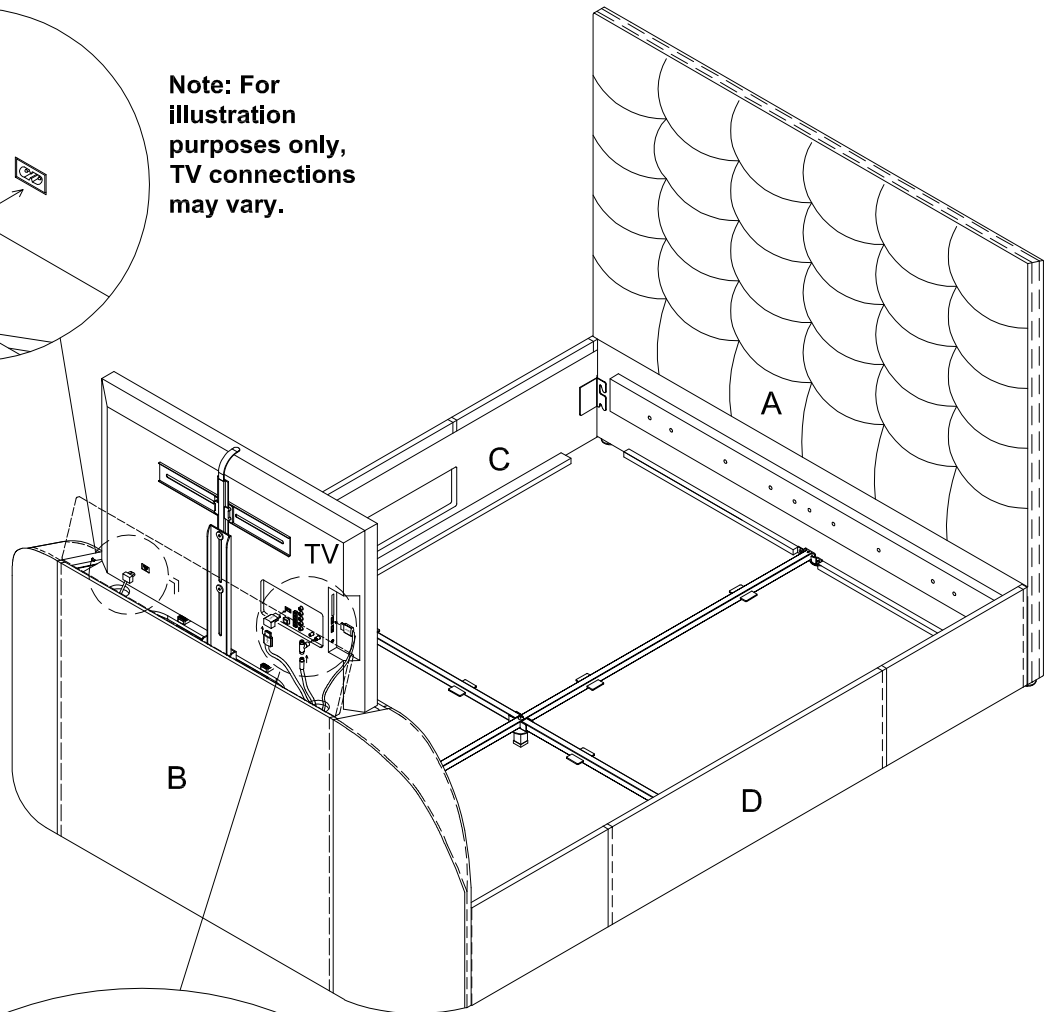
OPTION :
In the event you find the screws are too long for the TV with bracket please use Plastic collar (28) if required.

Step 13

- Install all the cable connection to the TV .

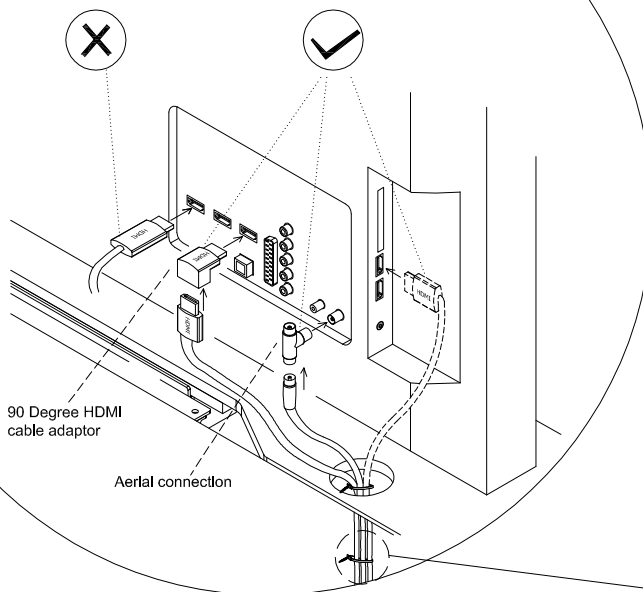


Note: For illustration purposes only, TV connections may vary.



Note: For illustration purposes only, TV connections may vary.

YOUR TELEVISION REAR VIEW
HDMI CABLE PLUG POSITION POSSIBLE SCNARIO'S



Attention Please Note : Connecting Your HDMI or Aerial Cable as shown In diagram (X) can seriously Damage Your TV sockets.

To reduce this possibility we have supplied 90 degree adaptors for both HDMI and Aerial connections.



This will reduce the cable protrusion and lessen the possibility of the cable colliding with the bed frame. **These can be found in the bed frame hardware pack located in Box B (foot end).** Please refer to the above diagram for the correct fitting of cables. More detailed information can also be found on above diagram of your assembly instructions.

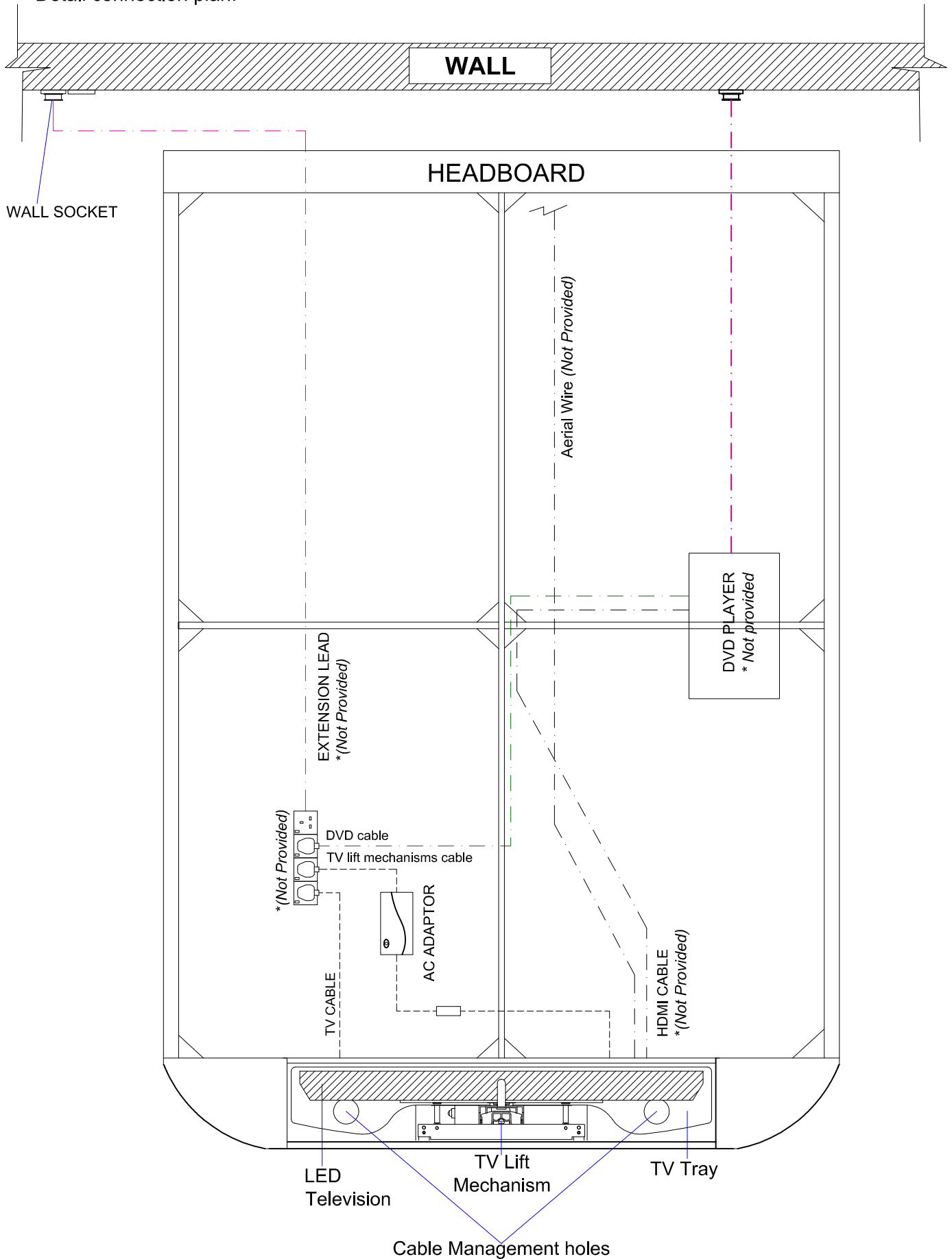
The manufacturer or retailer will not accept responsibility for any damages arising from incorrect installation.



NOTE: The cables port for television, DVD, TV aerial etc may not be the same as shown above and vary depending on TV model.

Step 14

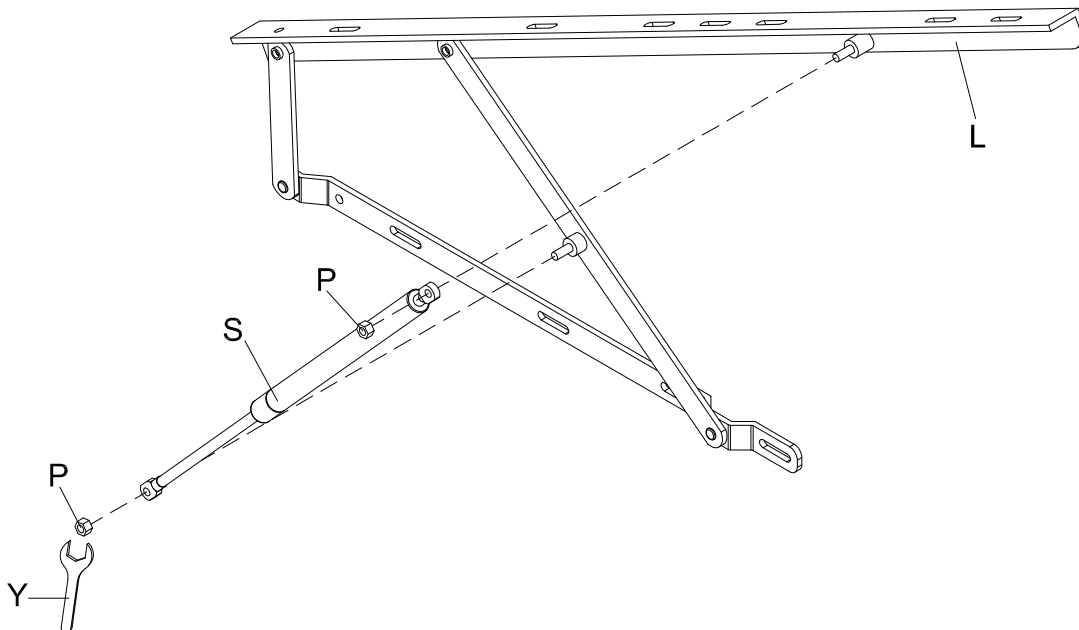
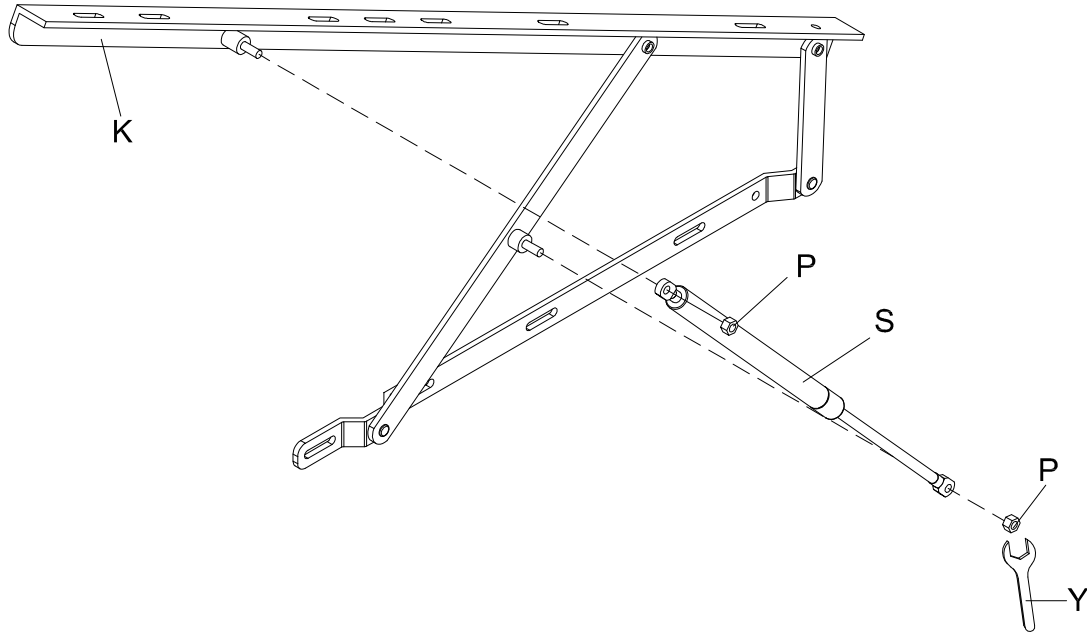
- Detail connection plan.



* The TV cable main supply can be put on either the left or right side depending on the TV port location.

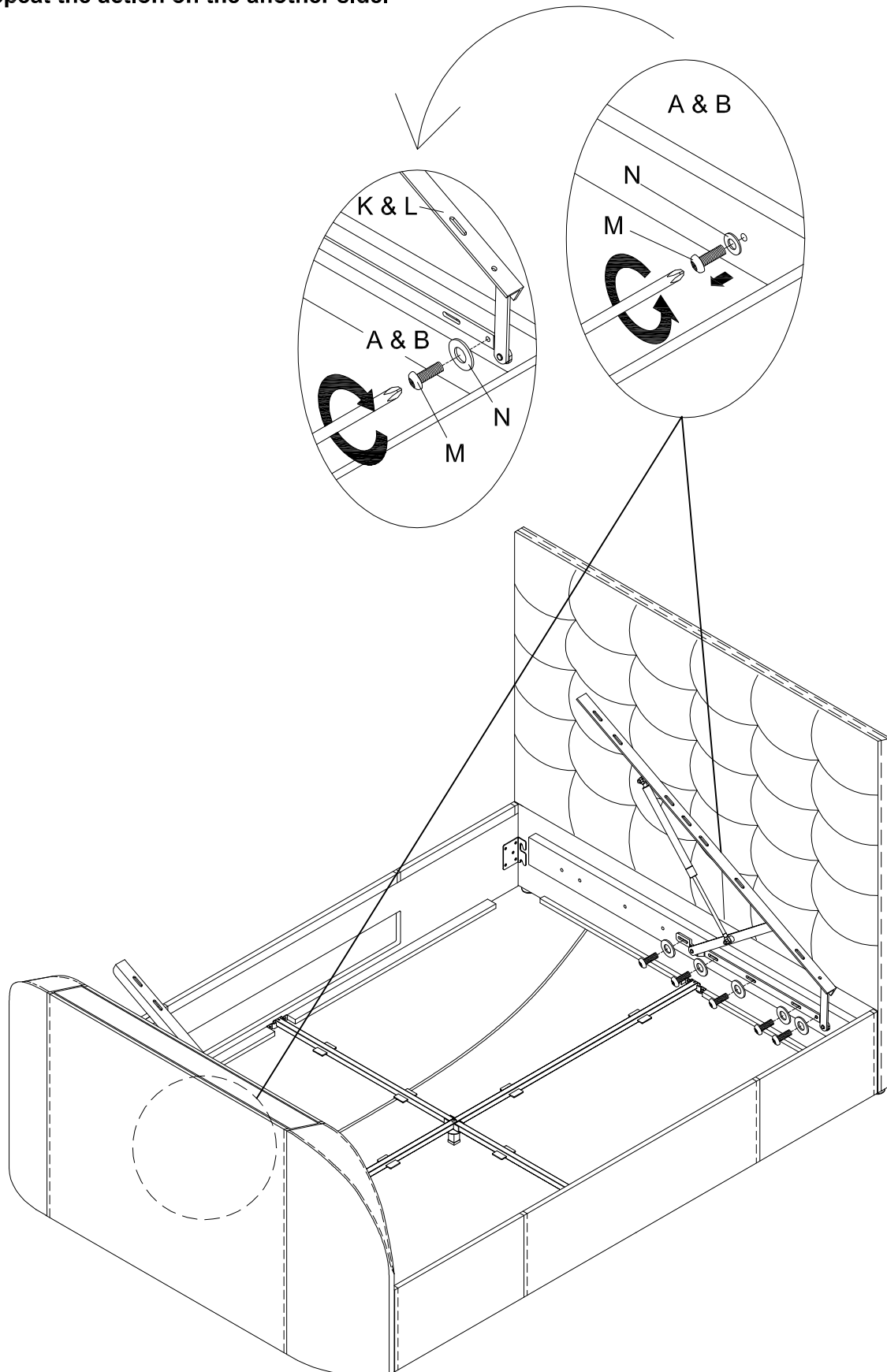
Step 15

- Attach the gas springs 'S' to the lift up mechanism with nut 'P' using spanner 'Y' as shown.



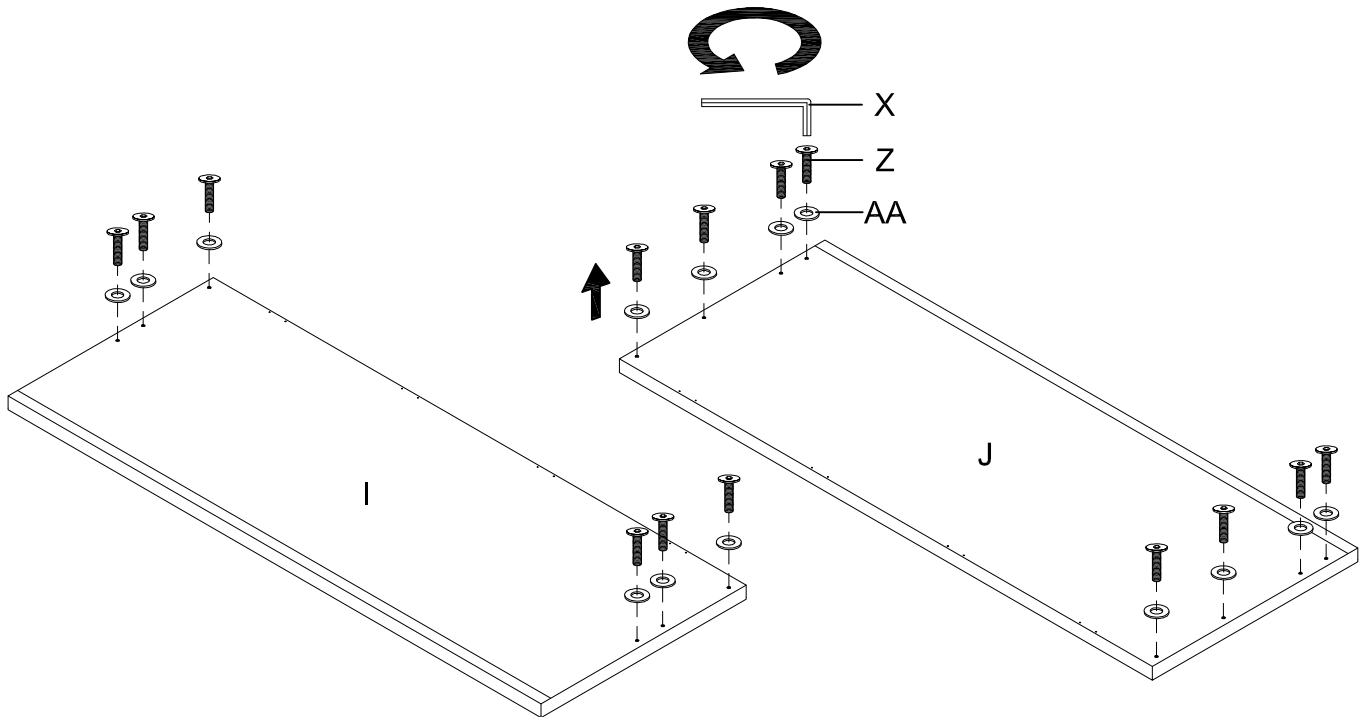
Step 16

- Before assembly please make sure the opening side of the ottoman is on the same side as the shelf side siderail (Part C).
- Remove the bolts and flat washers located in the head end and foot end.
- Attach the lift up mechanism to the head end and foot end with flat washers and bolts using screw driver provided.
- Repeat the action on the another side.



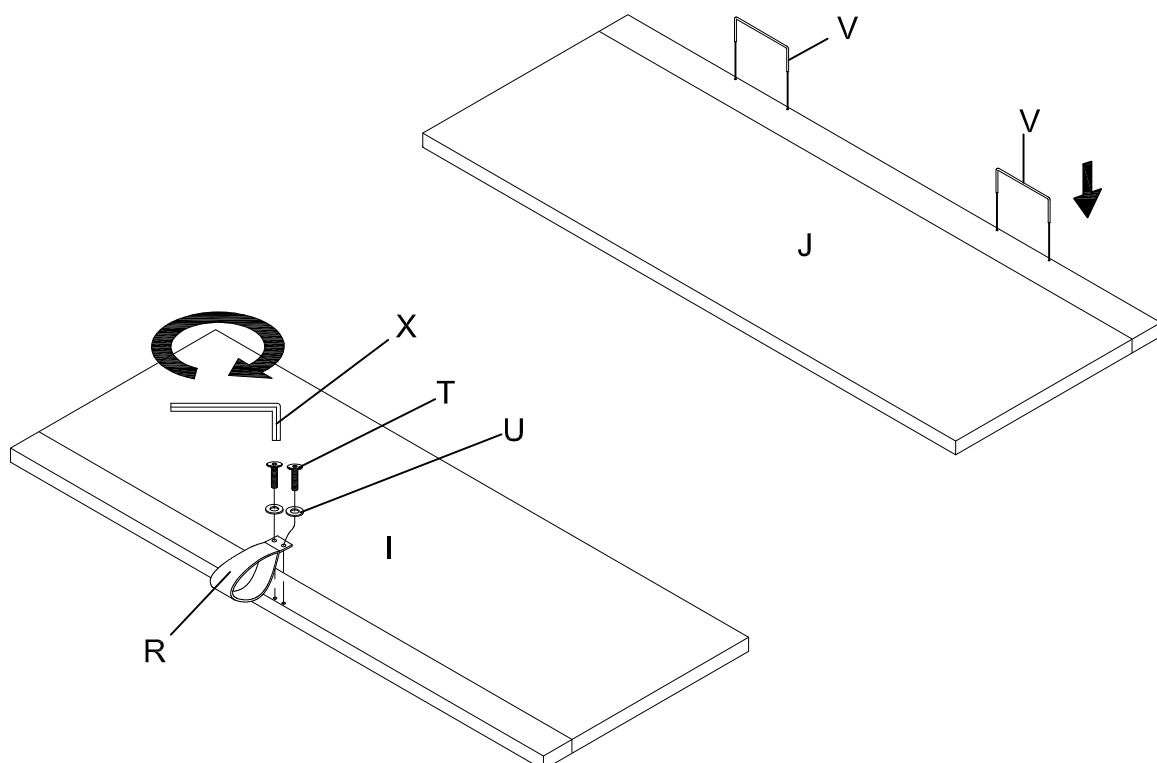
Step 17

- Remove the bolts and flat washers located in the front lift base 'I' and back lift base 'J' as shown.



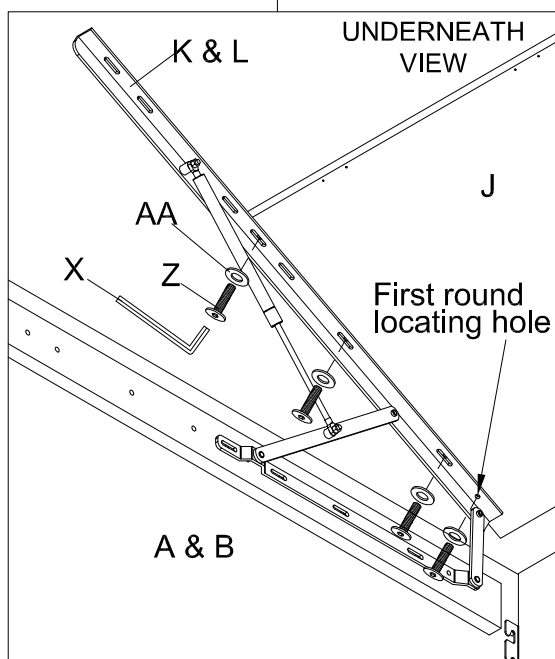
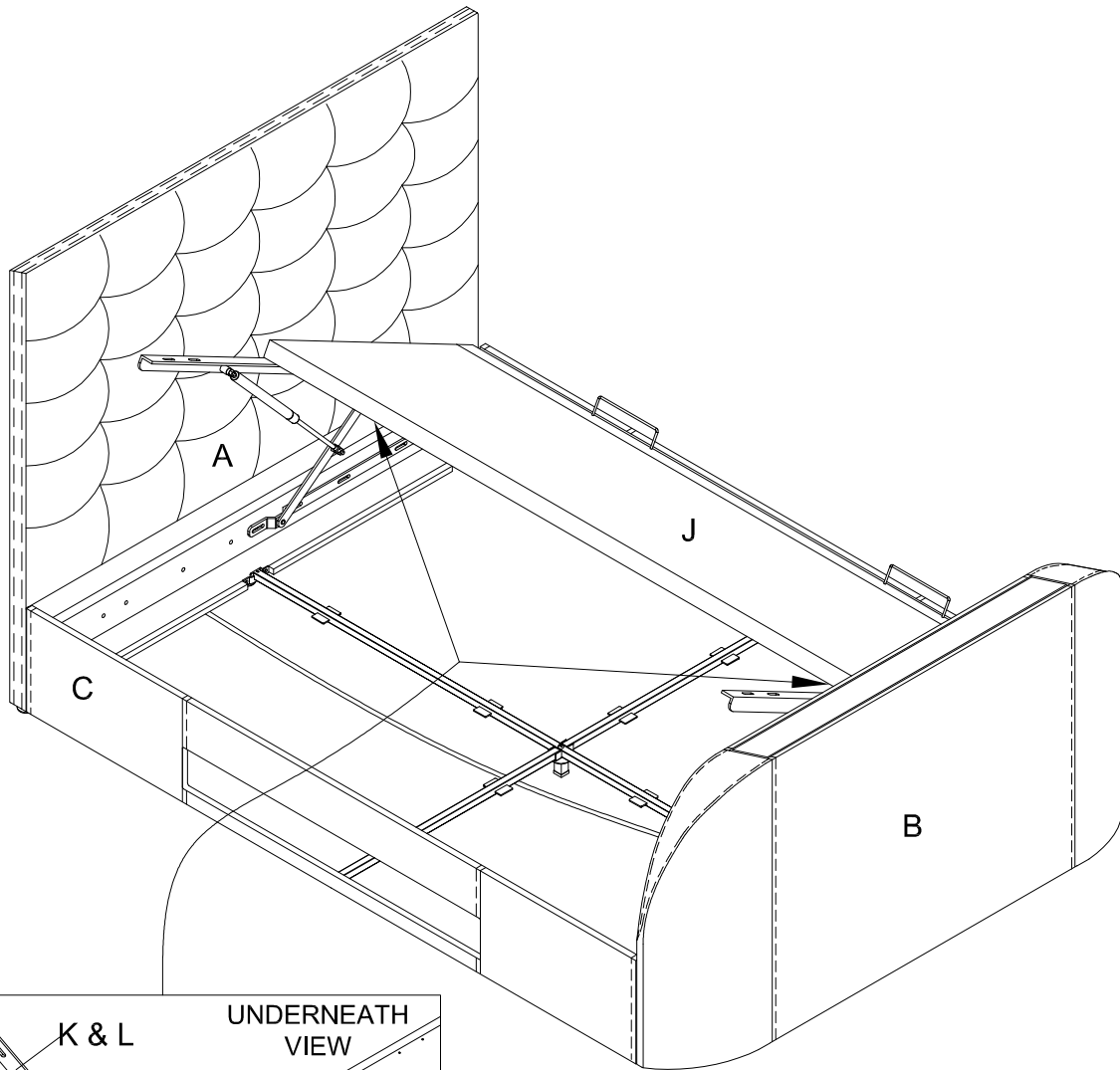
Step 18

- Attach the strap handle 'R' to the front lift base 'I' with flat washers 'U' and bolts 'T' using Allen key 'X' provided.
- Attach the mattress support rail 'V' to the back lift base 'J' as shown.



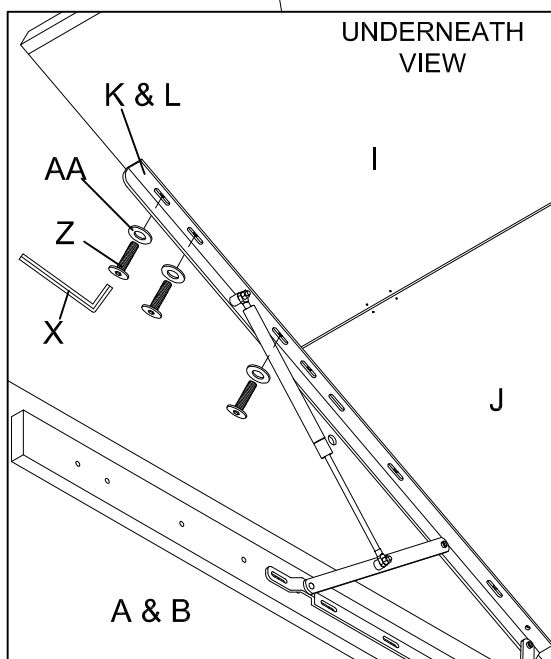
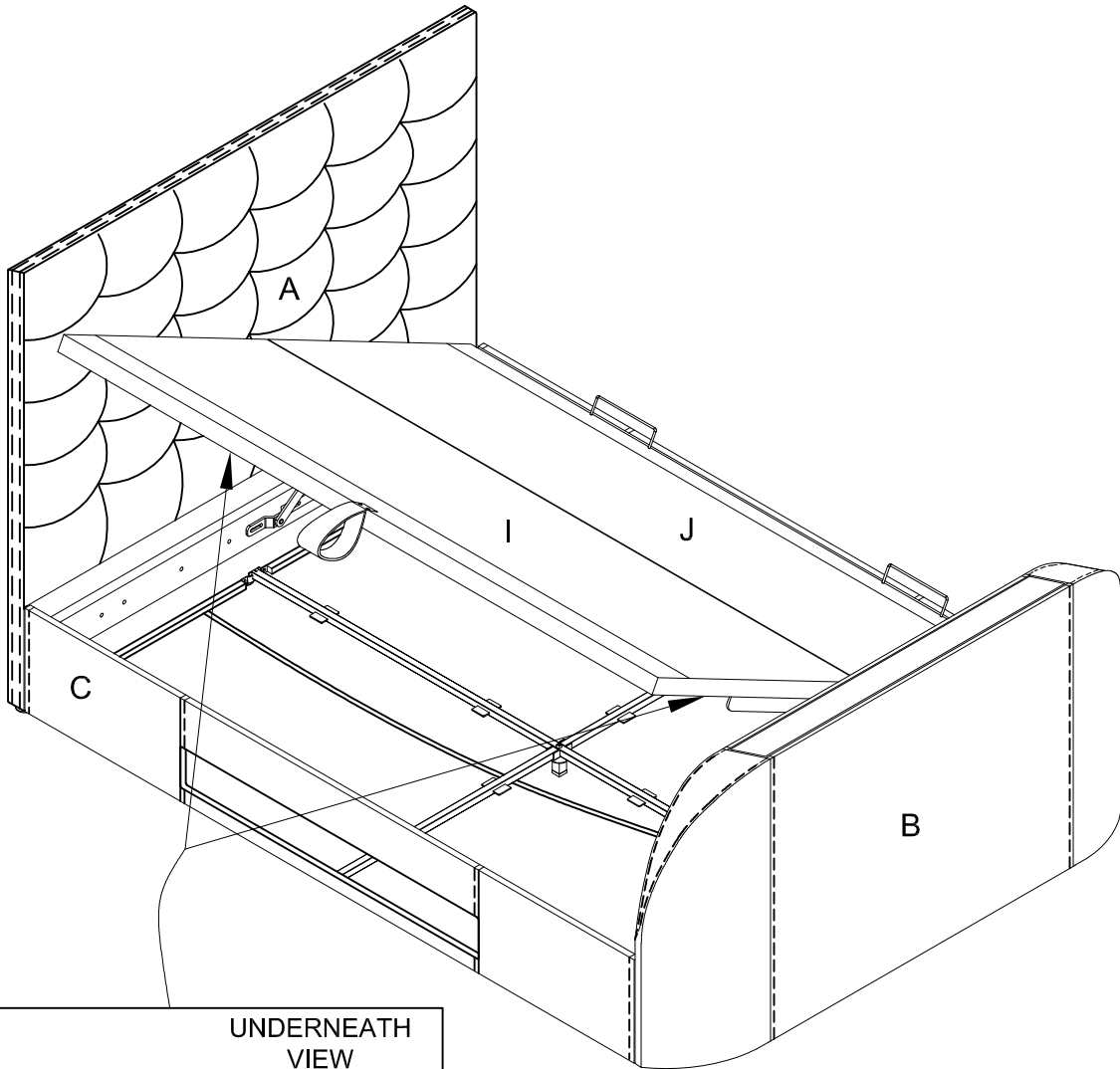
Step 19

- First put the rear lift base 'J' on the top of lift up mechanism 'K' and 'L' then use the bolts and flat washers has removed on step 17 to screw the first hole loosely for safety and to prevent the lift base from dropping down.
- Use the removed bolts and flat washers on step 17 to fix the rear lift base 'J' with lift up mechanism 'K' and 'L' as shown.
- Use Allen key 'X' fully tighten all the bolts as shown.



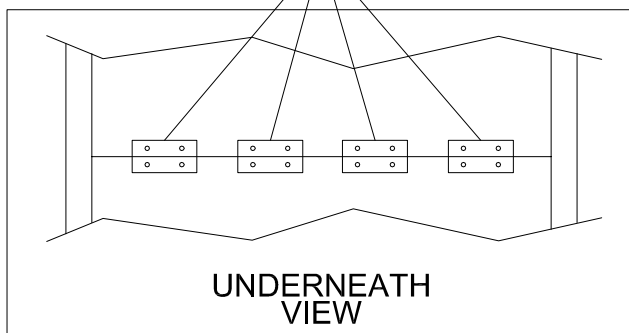
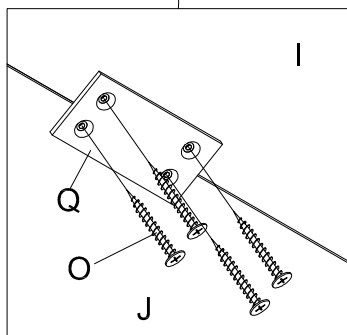
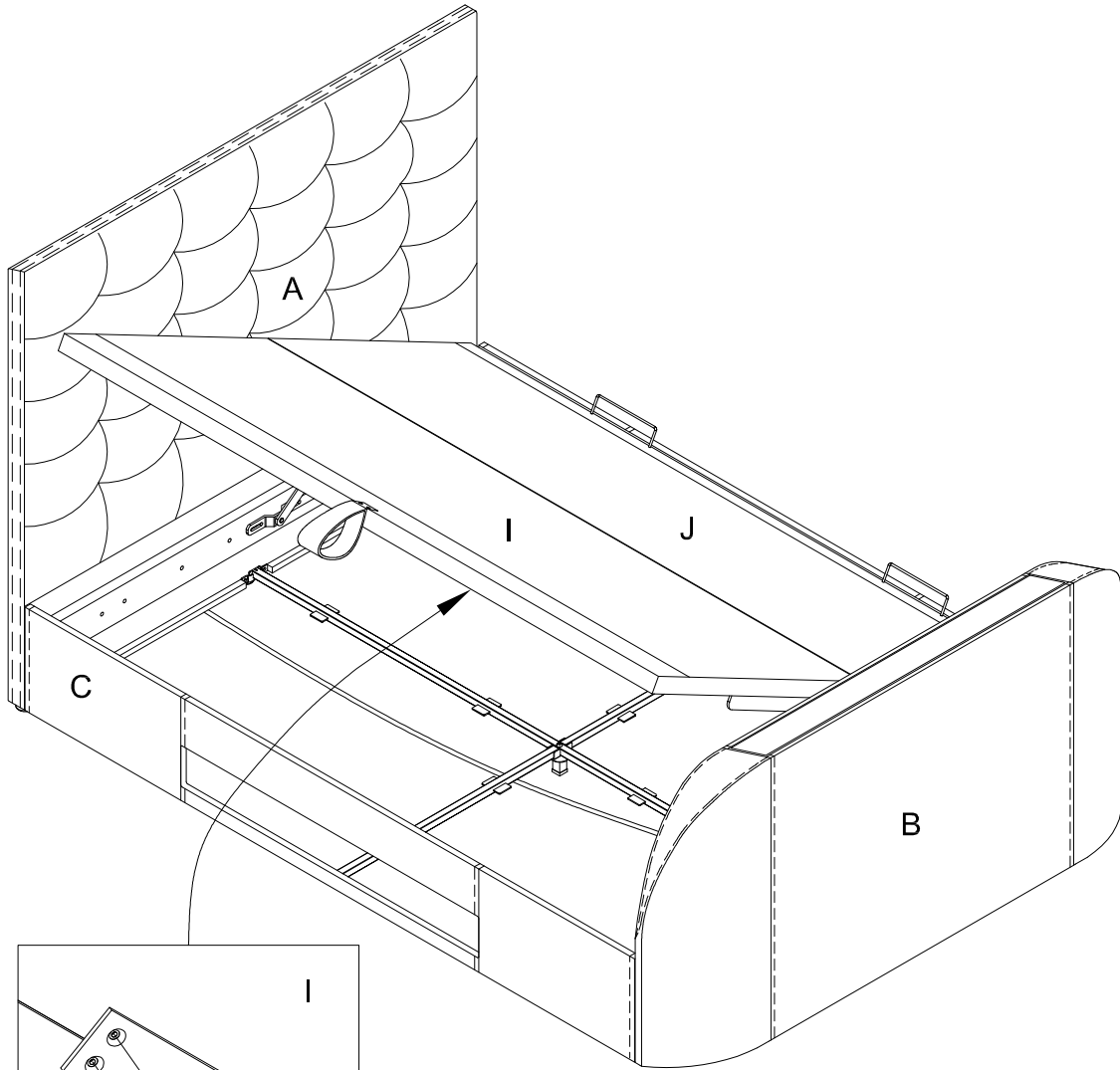
Step 20

- Put the front lift base 'I' on the top of lift up mechanism 'K' and 'L' then use the bolts and flat washers has removed on step 17 to fix the front lift base 'I' with lift up mechanism 'K' and 'L' as shown.
- Use Allen key 'X' fully tighten all the bolts as shown.



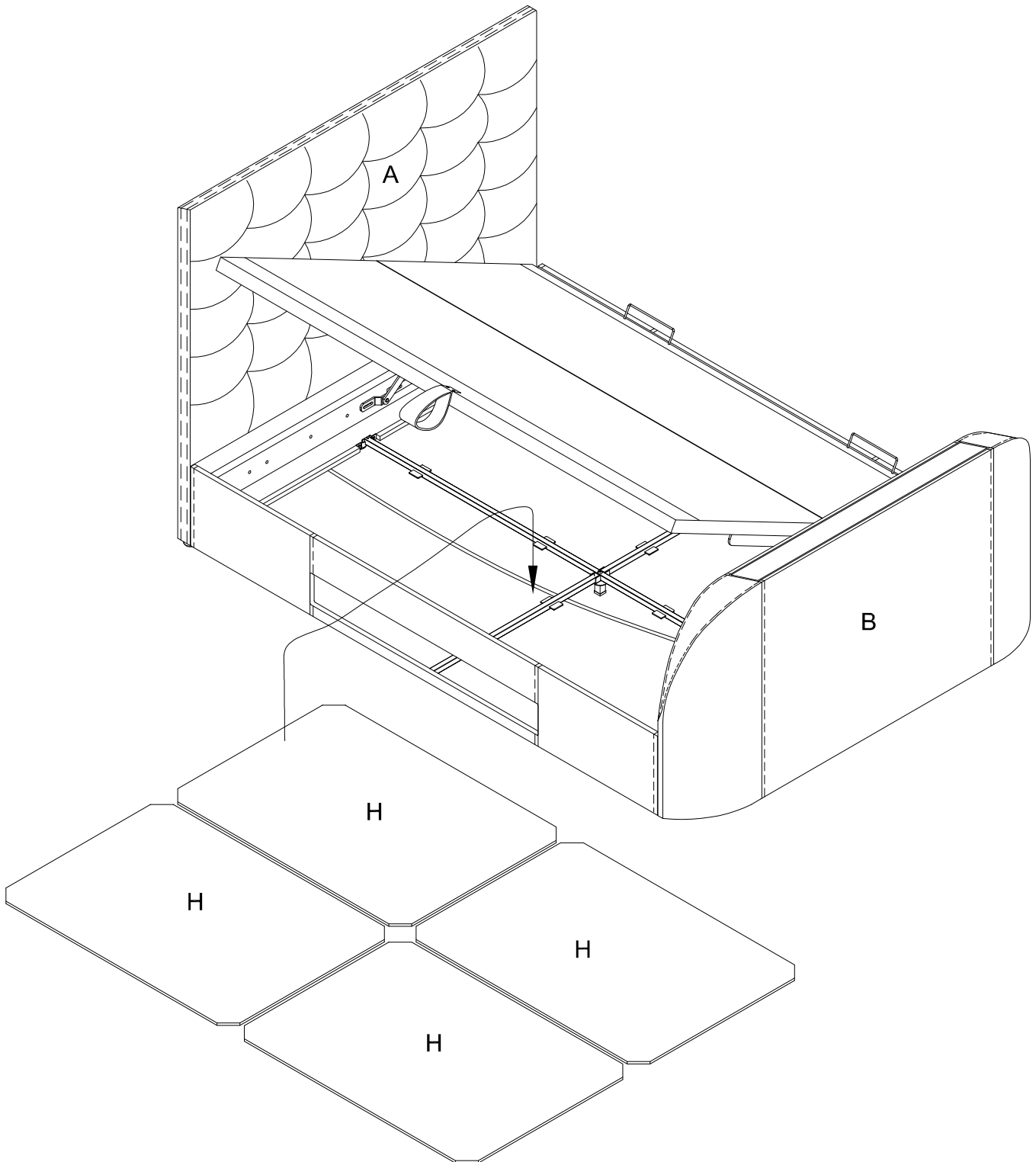
Step 21

- Attach the metal plate 'Q' to the underneath of lift base 'I' and 'J', fix with screw 'O' using screw driver 'W' provided as shown.



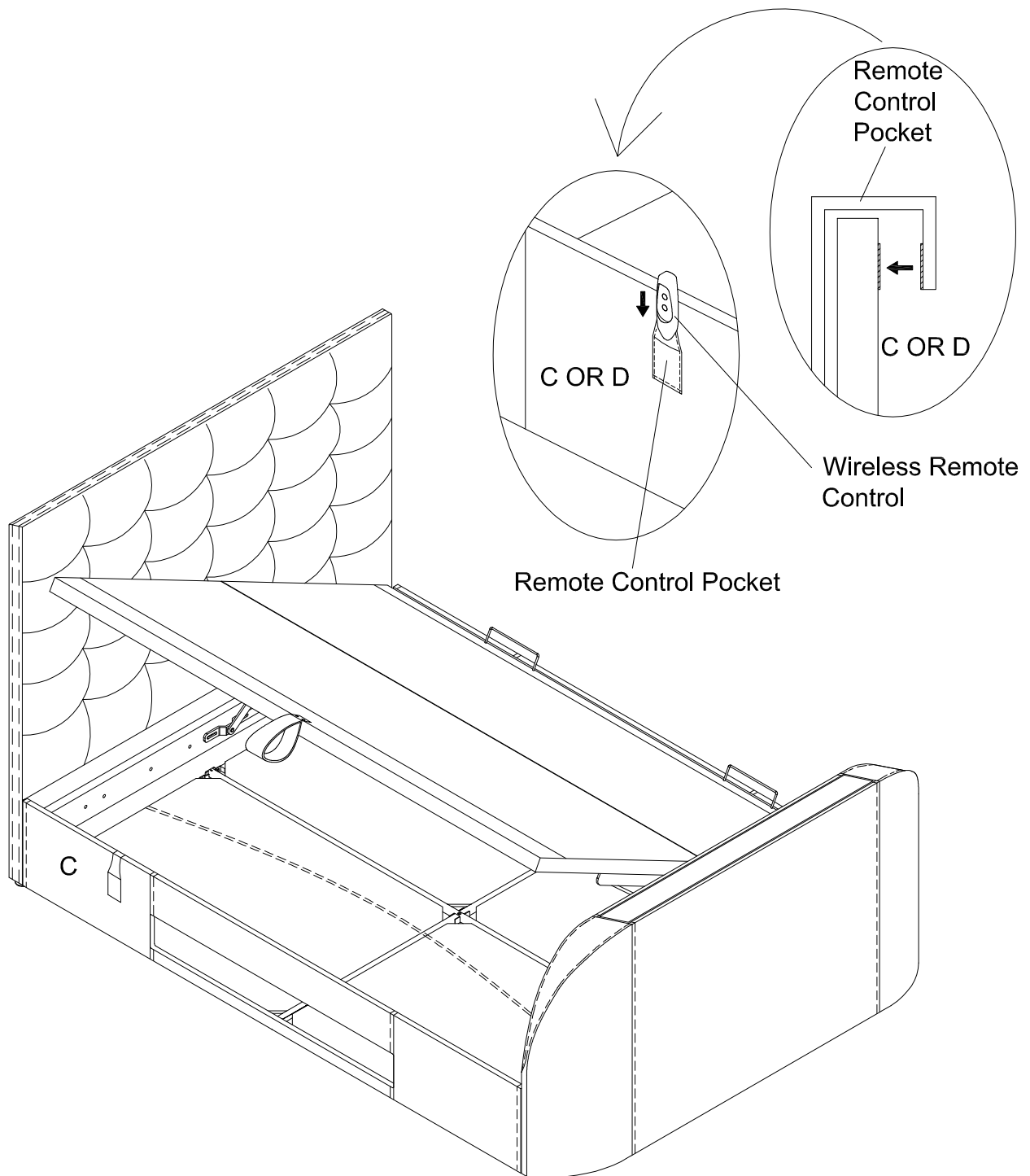
Step 22

- Put the base panels on the bottom cross bars as shown.
- Make sure all the power cables are placed under the base panel through the base panel corner space.



Step 23

- Attach the Remote Control Pocket to the left or right sides of the side rail as preferred.



ATTENTION! PLEASE NOTE:

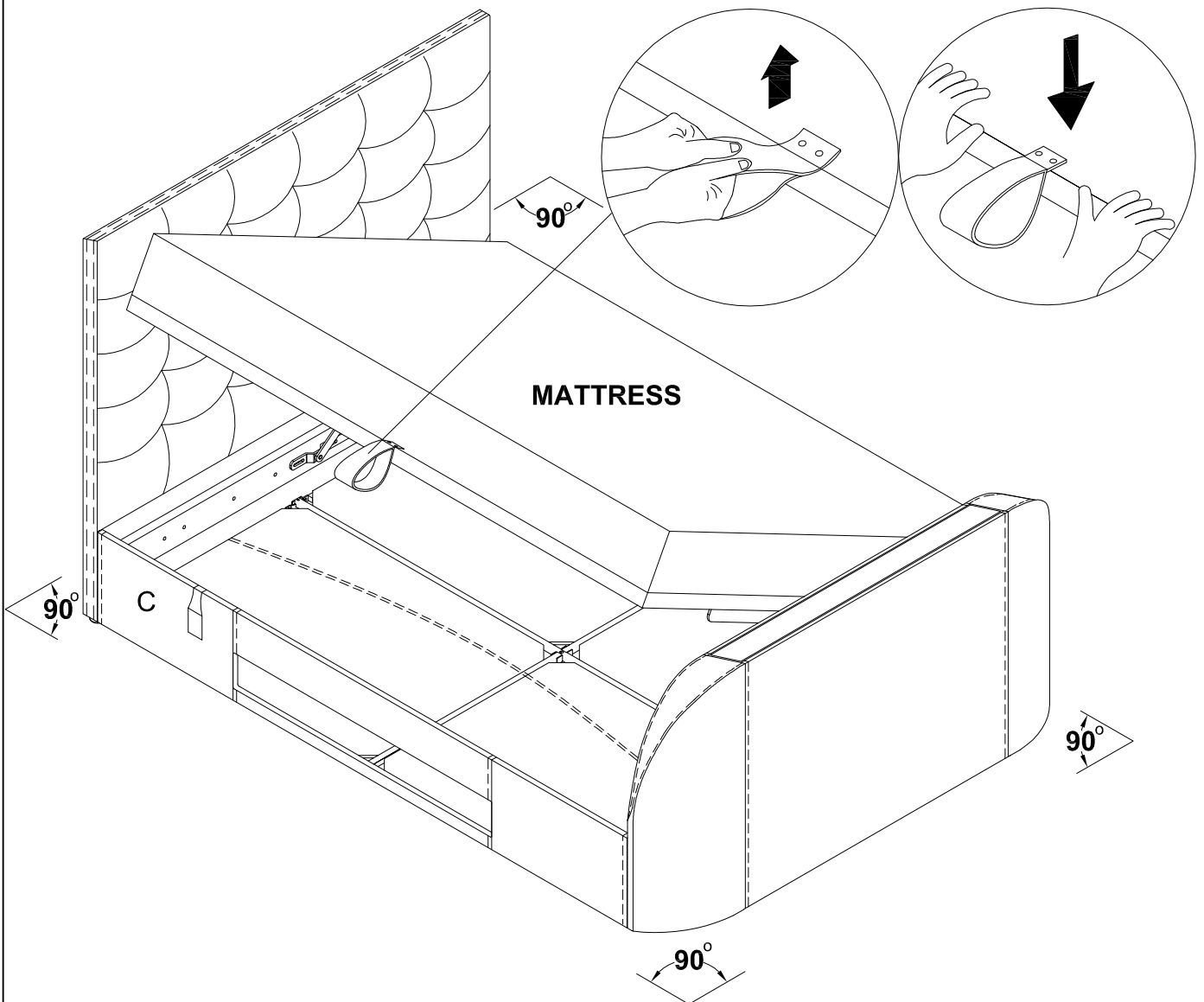
In the event you are experiencing any technical difficulties and you require additional assistance/ support with your product 'Mechanical/ Electrical' function - Please visit:

UK PRODUCT SUPPORT HOTLINE : 01462600064

Contact your retailer for all other issues such as damage, missing or faulty components (non electrical) or anything else of a non technical/electrical nature.

Step 24

- Make sure all interior angles are square prior to closing the lift base.
- The mattress must be fitted to the base.
- Do not operate the lift up mechanism without the mattress fitted to the base.

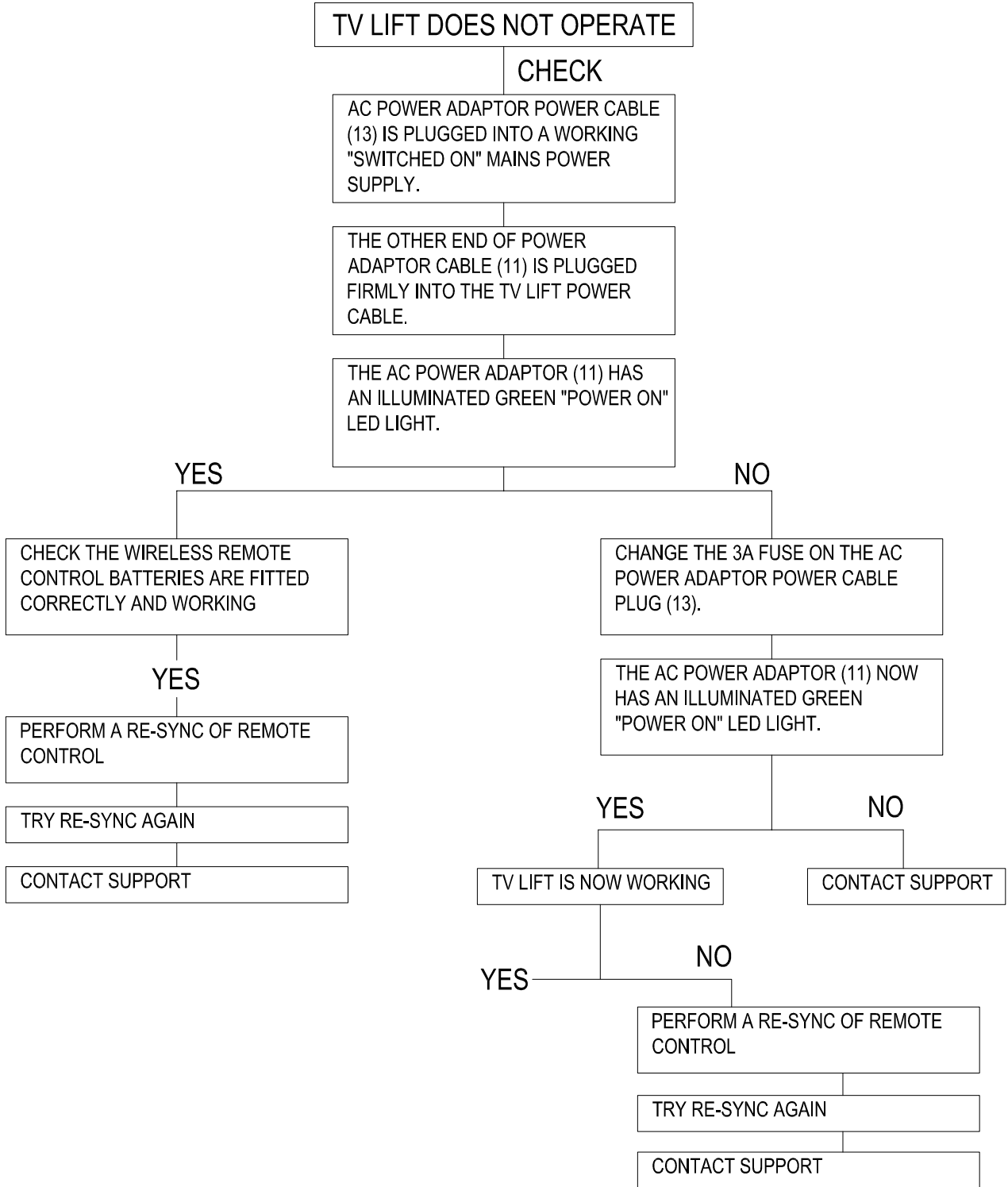


- A. This Lift Mechanism provides assistance with the lift of the mattress fitted to the base - it does not lift the mattress for you. The system has been designed to effectively lift the base system fitted with a variety of mattress weights and combinations of depth. The combination of mattress weight and depth determines the degree of assistance provided by the mechanism.
- B. Following installation of the mechanism lift / pull the base up and down a few times to free off the system - the gas cylinders fitted to the system may be stiff when first used or if the system has not been operated for a period of time .The mattress must be fitted to the base.
- C. Use the strap handle to lift up the mattress base using two hands - Pull the mattress base down using two hands equally spaced from the centre of the mattress base. DO NOT pull down on one side of the base only as this is likely to damage the base system with potential failure of the mattress base system and lift mechanism. **Do not operate the lift up mechanism without the mattress fitted to the base.**

CAUTION :

- Do not allow children to operate the lift Mechanism.
- Do not allow children near the lift base when operating the Mechanism.
- Do not allow children in the area of the internal storage base.
- Keep hands clear of the mechanism when operating the base system.
- Do not stand inside the bed / on the internal storage base.
- Do not overload the internal storage base.

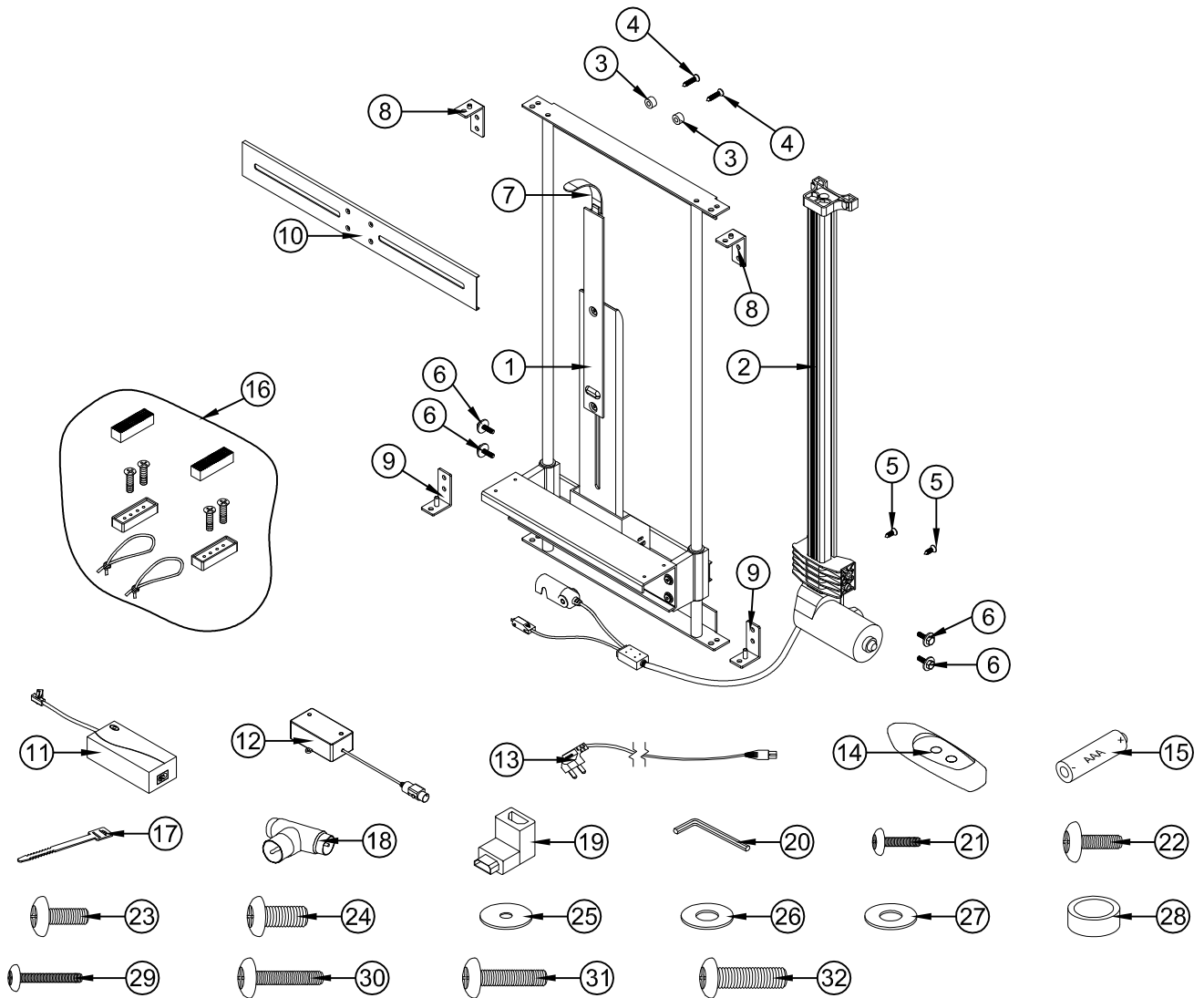
TROUBLE SHOOTING



SPECIFICATION-TV MECHANISM

FEATURE	Wireless Remote Control-TV LIFT MECHANISM
INPUT	100V-240V~ 50/60Hz 1500mA
OUTPUT	29V --- 2A
DUTY CYCLE	MAX 10% ; MAX 2 min / 18 min
BATTERY (WIRELESS REMOTE CONTROL)	Size: AAA - Ø10.5 X T44.5mm - Spec.: 1.5V

G4 TV LIFT MECHANISM- OPTI-SERVE SPARE PARTS LIST



ITEM NO.	PART DESCRIPTION
1	Main TV-lift up mechanism (pre- assemble)
2	TV-linear actuator G4 (pre-fixed)
3	Actuator mounting top spacer (2pcs) (pre-fixed)
4	Cross recessed countersunk flat head wood screw- Top mounting M6 x 30mm (2pcs) (pre-fixed)
5	Cross recessed countersunk flat head wood screw- Top mounting M6 x 20mm (2pcs) (pre-fixed)
6	Actuator mounting bolt- screw M6 x 20mm (4pcs) (pre-fixed)
7	Gooseneck (pre-fixed)
8	Top hanging bracket (2pcs) (pre-fixed)
9	Bottom hanging bracket (2pcs) (pre-fixed)
10	TV- flat bracket (Vesa Bracket) (pre-fixed)
11	TV-lift up mechanism AC/ DC adapter
12	TV lift-up mechanism control box (pre-fixed)
13	TV-lift up mechanism AC/ power-cable power plug
14	Wireless remote control
15	Battery (2pcs)
16	TV block (2pcs), screw M4 x 35mm (4pcs), block rubber cover (2pcs), cable management bungee cable (2pcs) (pre-fixed)
17	Cable clip (2pcs)-use to fix wire
18	Aerial connection (1pc)
19	90 degree HDMI adaptor (1pc)
20	Allen key (M4) (1pc)
21	Pan head screw M4 x 20mm (2pcs)
22	Pan head screw M5 x 20mm (2pcs)
23	Pan head screw M6 x 20mm (2pcs)
24	Pan head screw M8 x 20mm (2pcs)
25	M5 washer (2pcs)
26	M6 washer (2pcs)
27	M8 washer (2pcs)
28	Plastic collar (6pcs)
29	Pan head screw M4 x 40mm (2pcs)
30	Pan head screw M5 x 40mm (2pcs)
31	Pan head screw M6 x 40mm (2pcs)
32	Pan head screw M8 x 40mm (2pcs)