



PLEASE READ this sheet prior to assembly to familiarise yourself with the various stages of construction. Carefully open the pack supplied and check the contents against the parts and fittings check list.

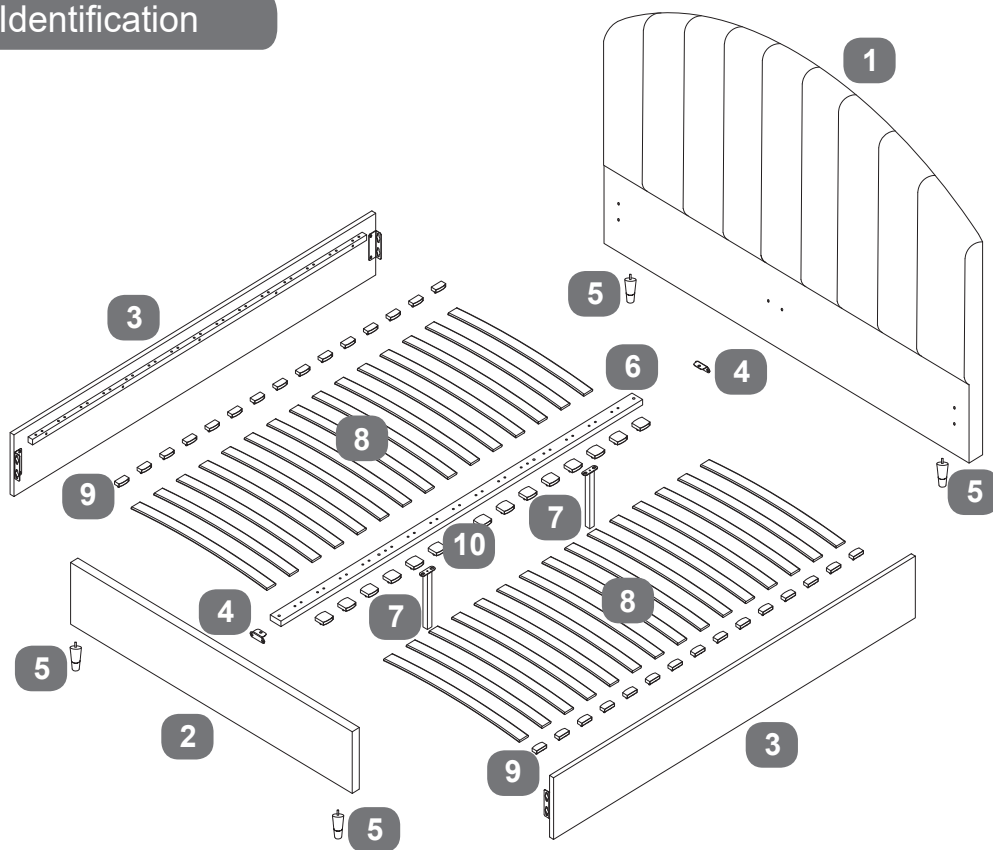
Do not destroy any of the packaging until you are certain that you have all the necessary parts for the assembly.

Please ensure that the packaging is disposed of in a safe environmentally friendly way.

CAUTION: There are small components used in the construction of this unit. These loose items should be kept away from young children during assembly, to avoid the danger of choking.

**IMPORTANT: BEFORE STARTING TO ASSEMBLE THE BED - PLEASE READ THESE INSTRUCTIONS CAREFULLY.**

### Parts Identification

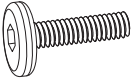
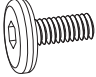


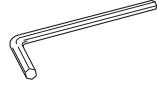
### Parts Checklist

Ref.	Description	Qty	Box	Ref.	Description	Qty	Box
1	Headboard	1	1	6	Centre support Bar	Double&King/Super King	1/2 1
2	Footboard	1	2	7	Centre support bar legs	Double&King/Super King	2/4 2
3	Side rails	2	3	8	Wooden slats	Double/King/Super King	28/30/45 3
4	Metal 'L' brackets	Double&King/Super King	2/4 3	9	Single plastic caps	Double/King&Super King	28/30 3
5	Wooden legs	4	3	10	Double plastic caps	Double/King/Super King	14/15/30 3

# Fittings Checklist

## HARDWARE NEEDED FOR BED ASSEMBLY

Code	Description	Qty	Box
A	Bolts (M8x25mm) 	Double & King x12 Super King x16	3
B	Bolts (M8x16mm) 	Double & King x6 Super King x12	3

Code	Description	Qty	Box
C	Allen Key (for M8 bolt) 	x1	3
D	Large leg cushion washers	x4	3

### Additional Tools Required

No Additional Tools Required

### Care & Maintenance

In the unlikely event of missing or damaged parts, please contact your retailer. Please have this guide at hand quoting the part code reference numbers shown when requesting spare or replacement parts.

### General Hints & Tips



Please retain your assembly instruction and tools provided for future use. Periodically check that all bolts are still tight.

Assembly requires two persons.

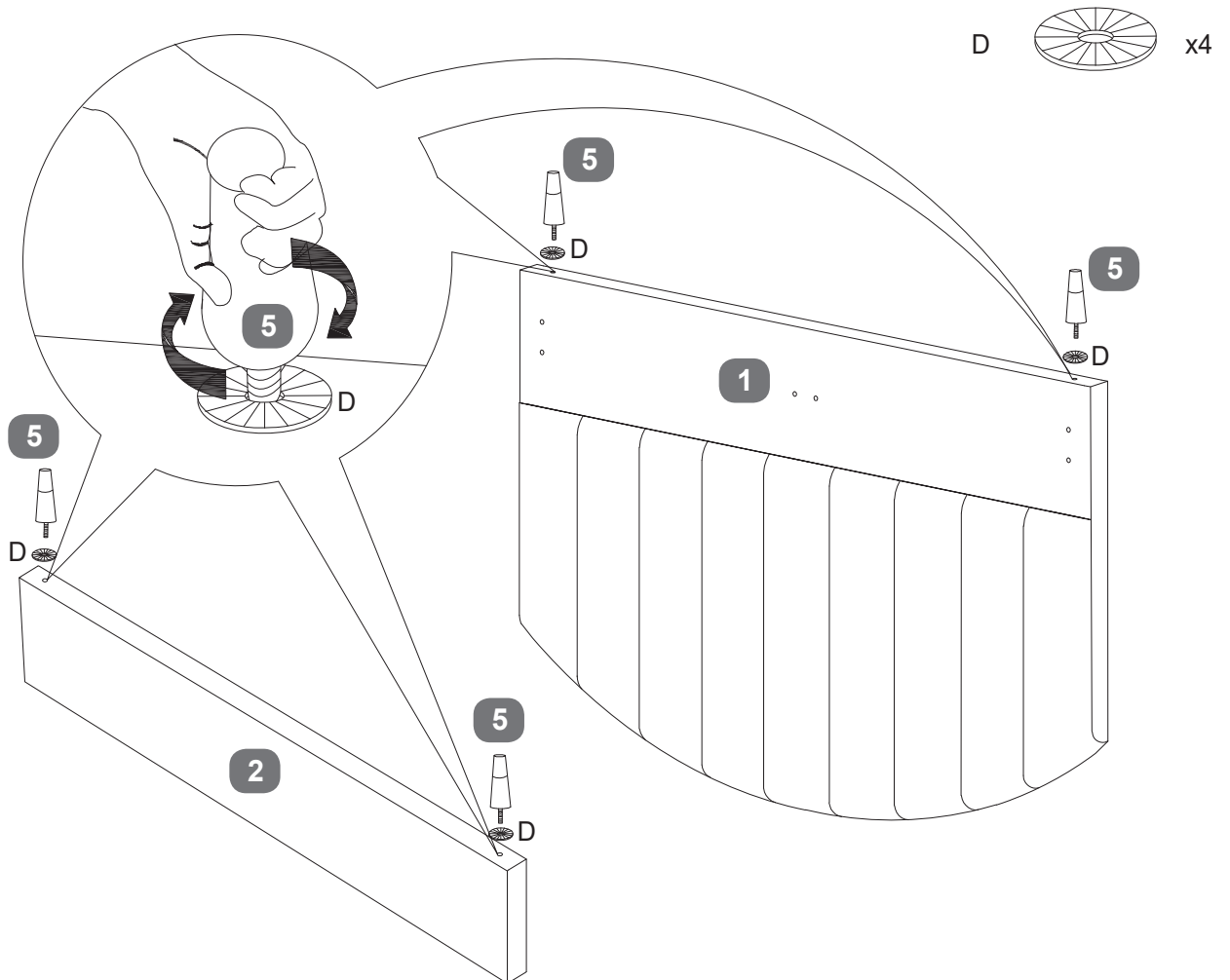


1.5 Hrs

Approximate time to assemble this product

## Bed Assembly

Stage  
1

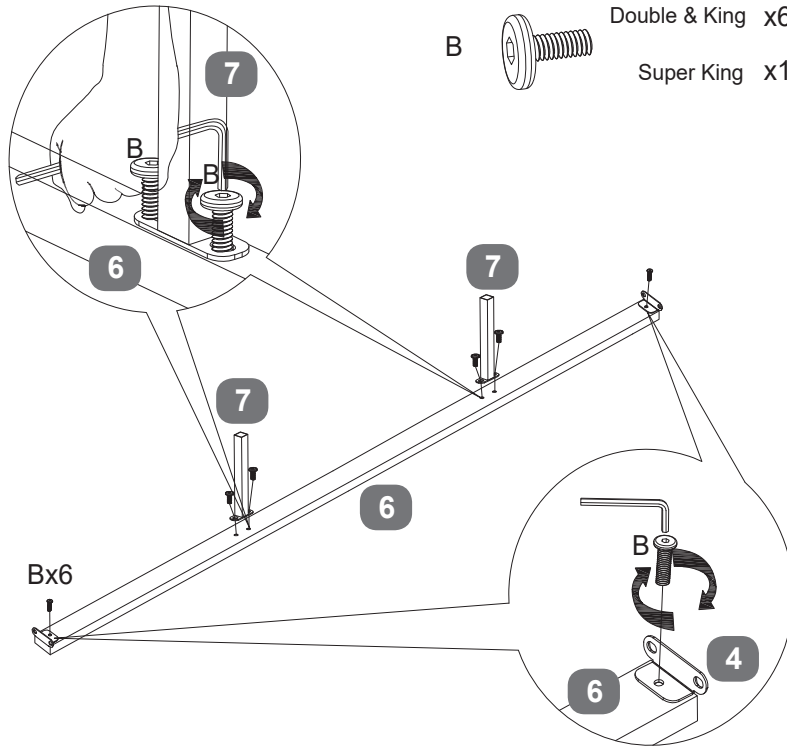


# Bed Assembly

Stage

2

Double & King x1  
Super King x2

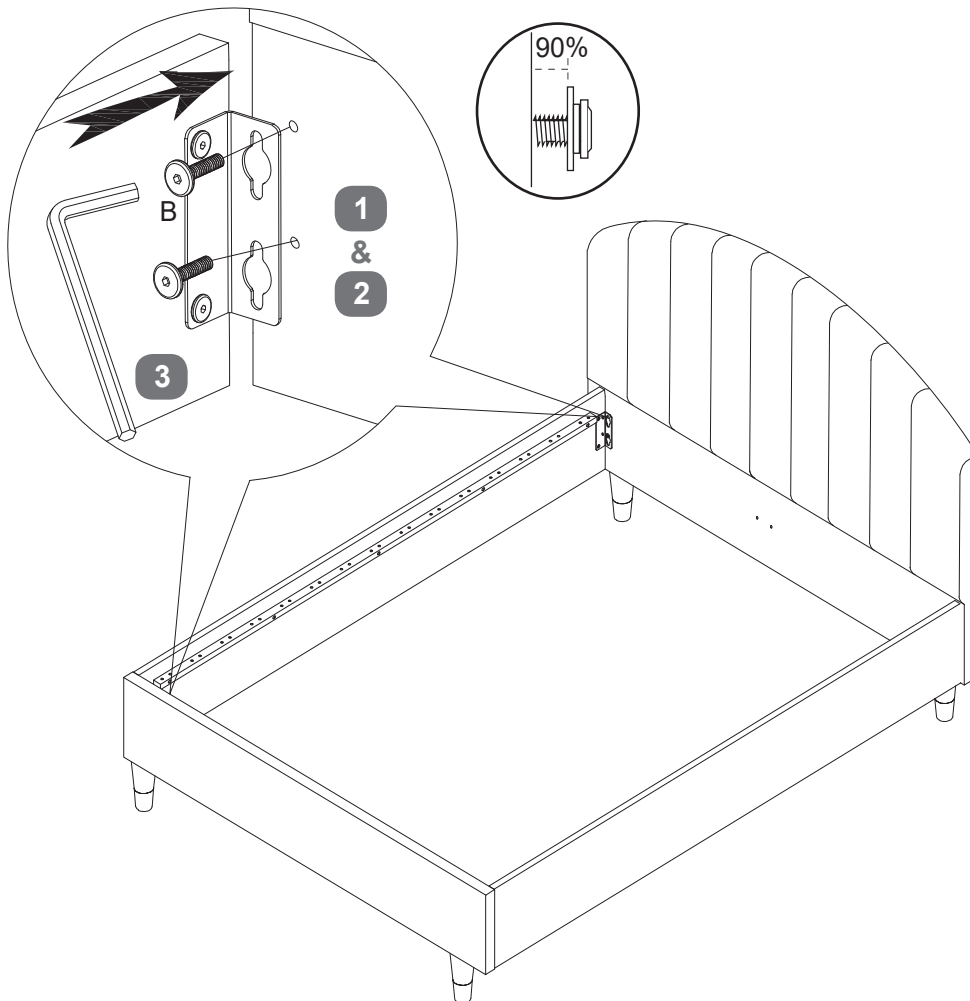


B Double & King x6  
Super King x12

C x1

Stage

3



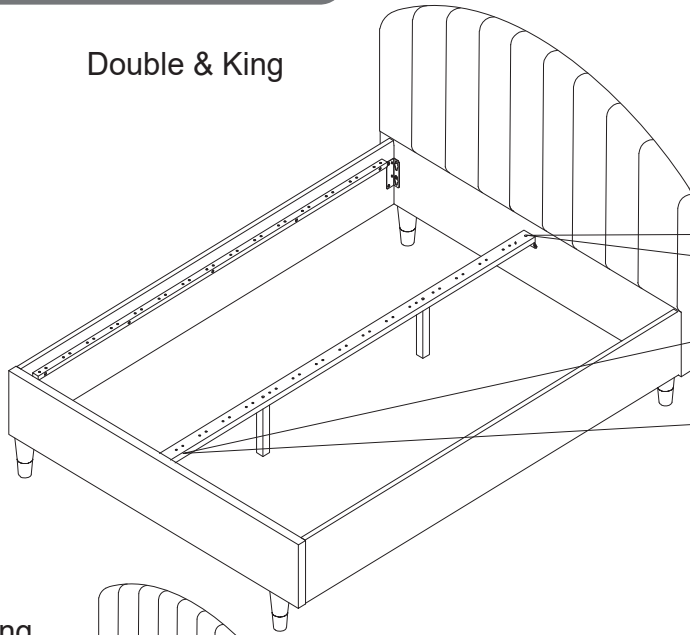
A x8

C x1

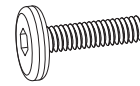
# Bed Assembly

Stage  
4

Double & King



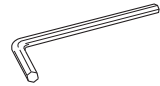
A



Double & King x4

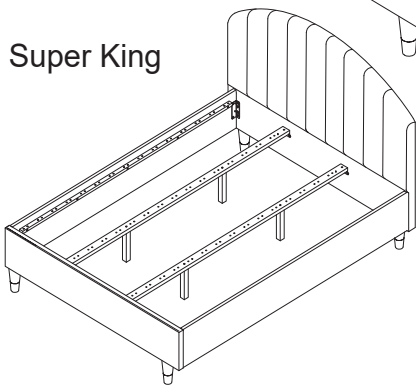
Super King x8

C

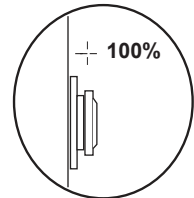
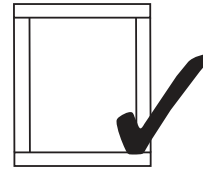
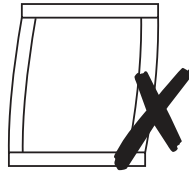


x1

Super King

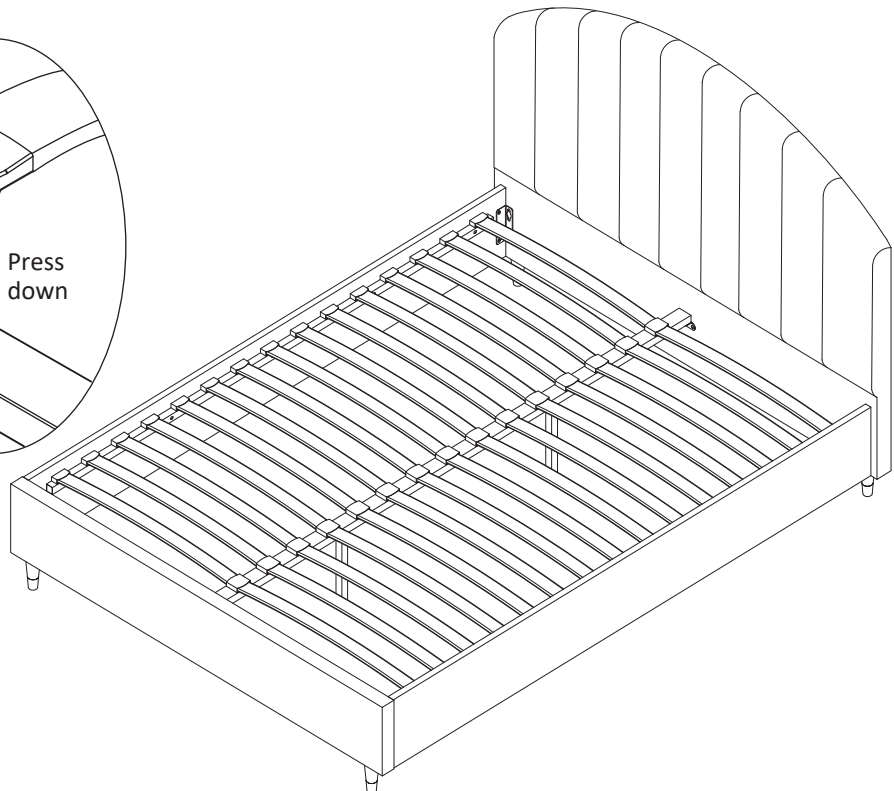
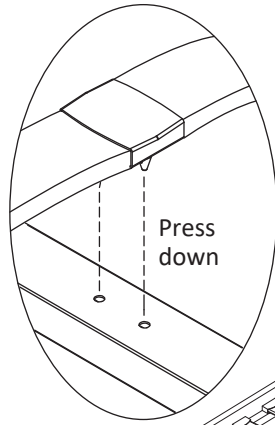
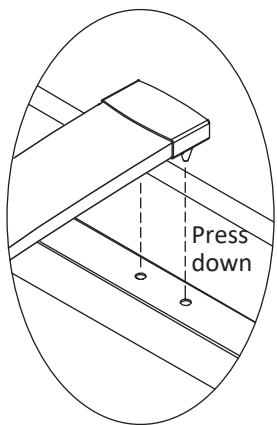
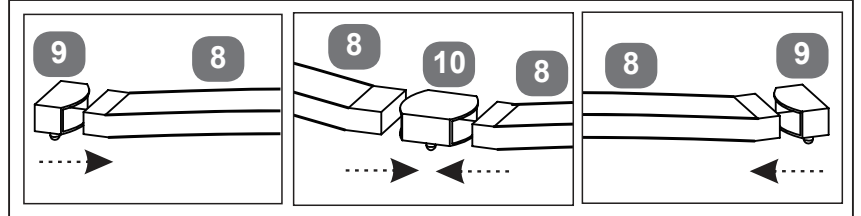


Make certain the bed is squared up as in the diagram then using allen key (C), evenly tighten all the bolts.



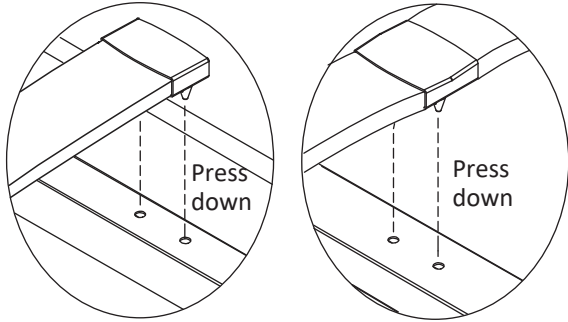
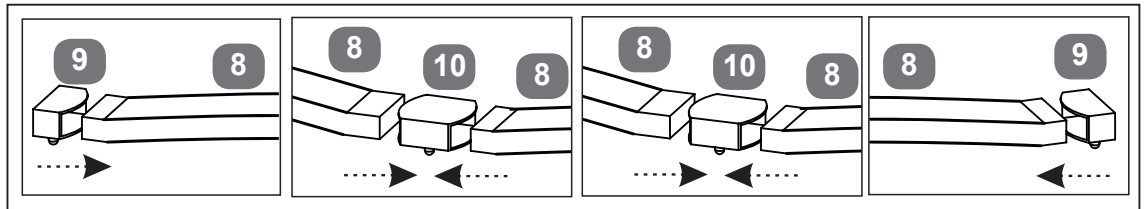
Stage  
5a

For Double or King Size



**Stage  
5b**

**For Super King Size**



Overall Dimensions (LWH cm)

Double: 204.5 x 149 x 120  
 King: 214.5 x 164 x 120  
 Super King: 214.5 x 194.5 x 120

Internal Dimensions (LW cm)

Double: 193 x 137.5  
 King: 203 x 152.5  
 Super King: 203 x 182.5

Distance between slats (cm)

7.4

