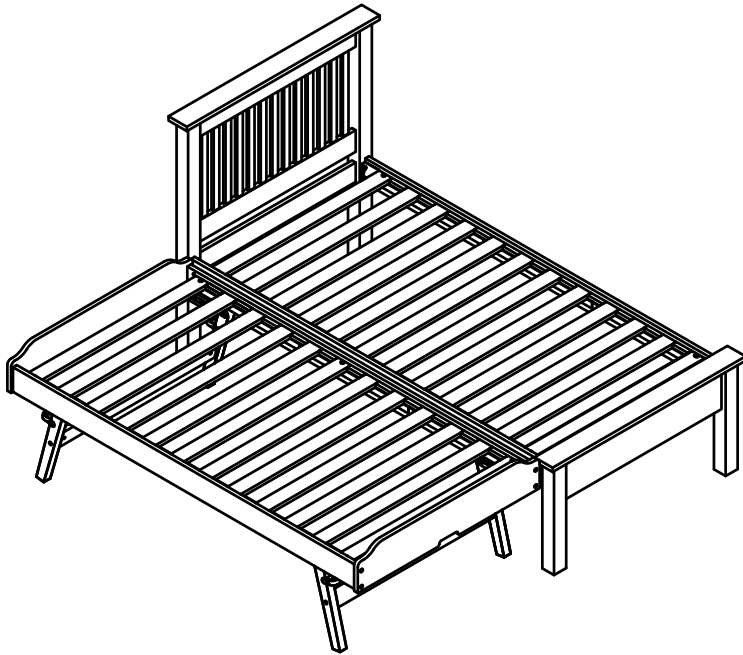


DENVER GUEST LOW 90cm BED

Step-by-Step Assembly Instructions



Preparation before assembly

- Please check the packing contents before assembling this product to ensure that all parts are included.
- This product takes about thirty minutes for two people to assemble.
- Please read Assembly Instructions completely before assembling the product.
- You will need a Phillips screwdriver to complete the assembly.

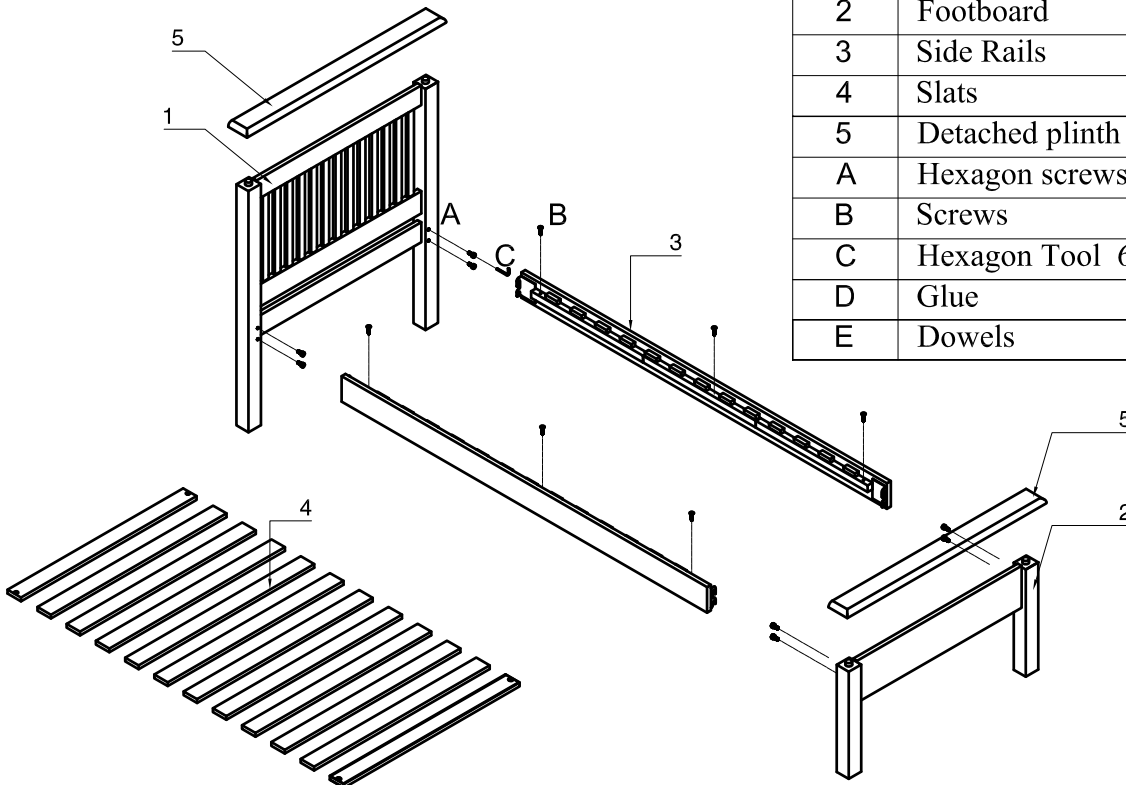
CAUTION: This product contains small parts that must be kept away from children.

IMPORTANT SAFETY NOTES:

- Some of the contents may have shifted in the carton. Please use caution when opening the carton.
- Lift the carton to move it. Do not push the carton.
- Two people should lift the larger pieces. Do not attempt to move larger pieces alone.
- Use only a hand screwdriver to assemble this bed. Do not use a mechanical or electrical screwdriver as the parts may be damaged.

Parts included for this product:

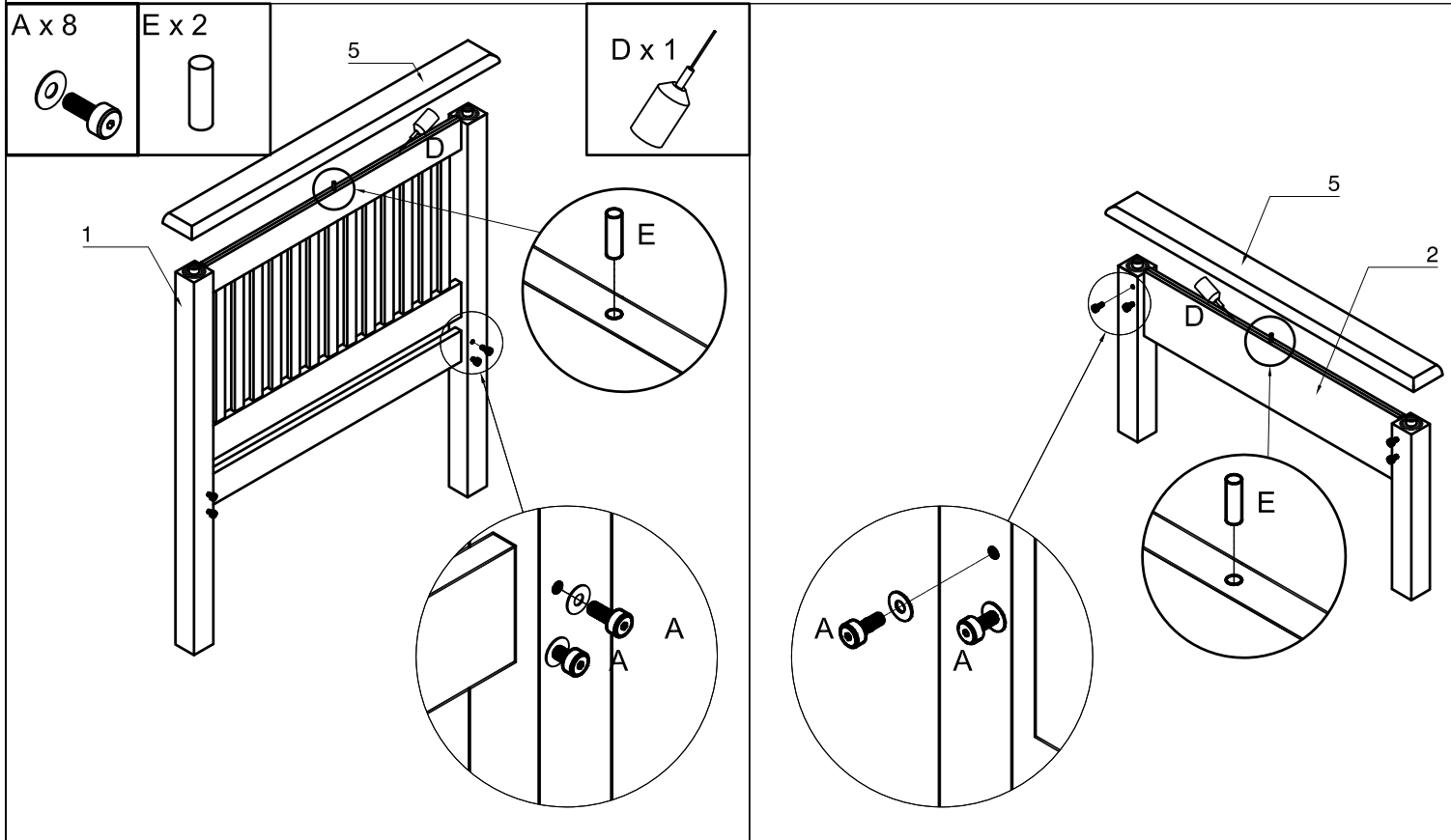
Symbol	Description	Quantity
1	Headboard	01
2	Footboard	01
3	Side Rails	02
4	Slats	12
5	Detached plinth	02
A	Hexagon screws + Washer	08
B	Screws	06
C	Hexagon Tool 6	01
D	Glue	01
E	Dowels	02



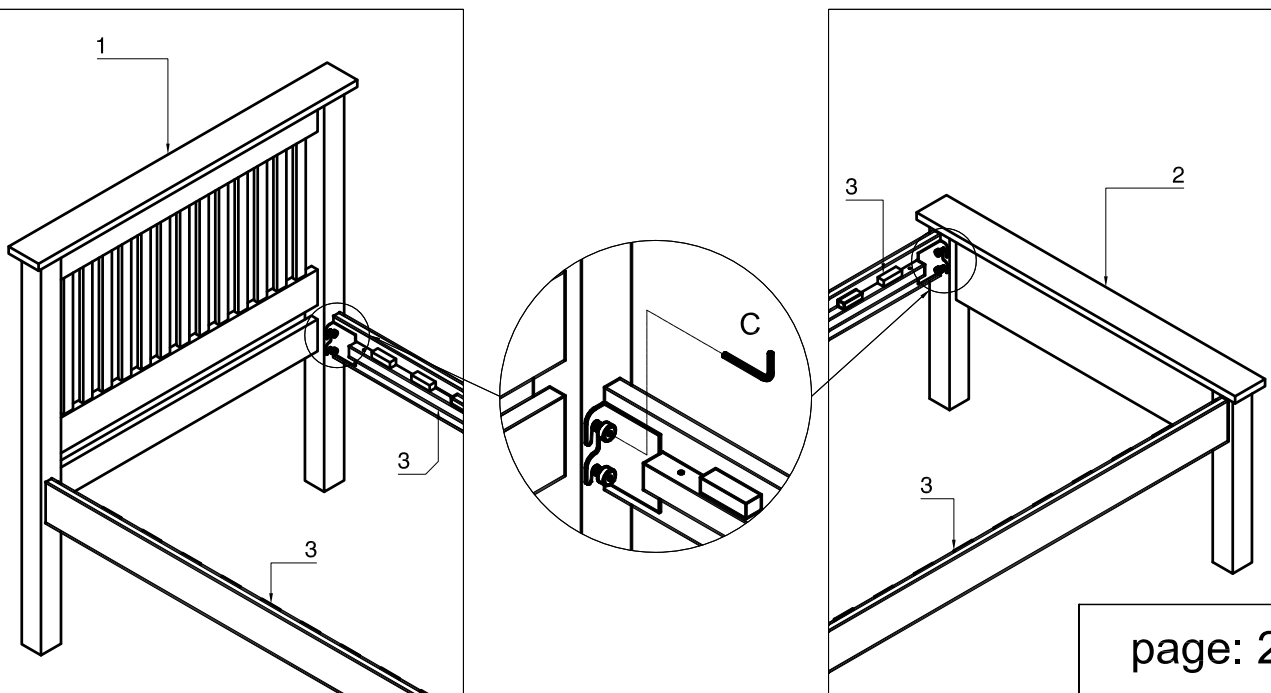
Step 1: Using the Hexagon Tool (C), insert the hexagon screws (A) into the headboard (1) and the footboard (2). Note: Turn each screw approximately 4 or 5 rotations only for now. They will be tightened later.

Apply small amount of glue to one end of dowels and insert into holes on head/footboards. Tap gently into place. Add glue to exposed end of dowels and locate plinth, tapping gently until fully home.

Turn head/footboard upside down and allow to stand on plinth for at least one hour before continuing with assembly. Do not lift head/footboards using the plinth

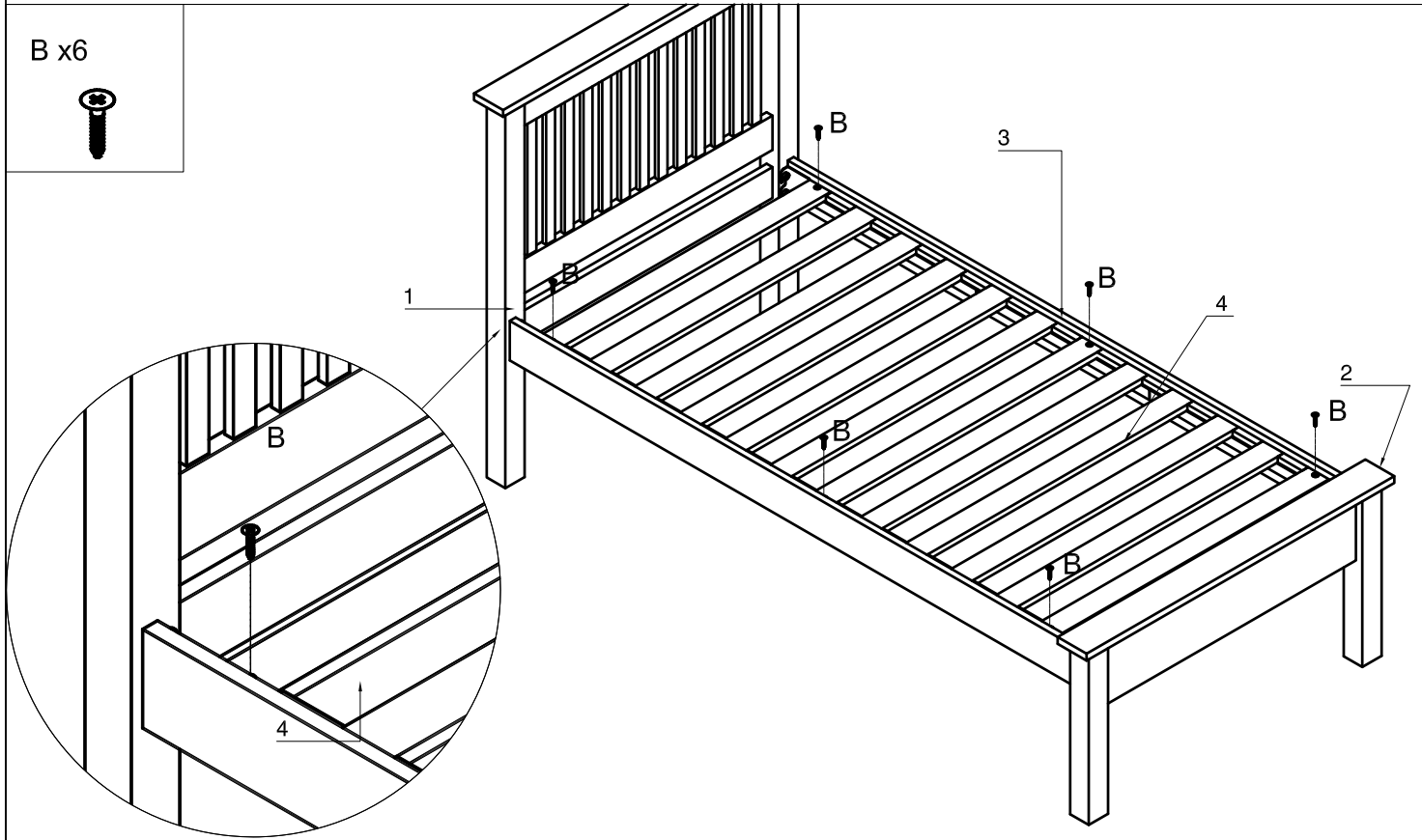


Step 2: Slide the metal hooks on the side rails over the screws in the headboard (1) and footboard (2). Now, tighten each of the eight screws at the headboard (1) and footboard (2). The bed frame should be very solid when the screws are tightened

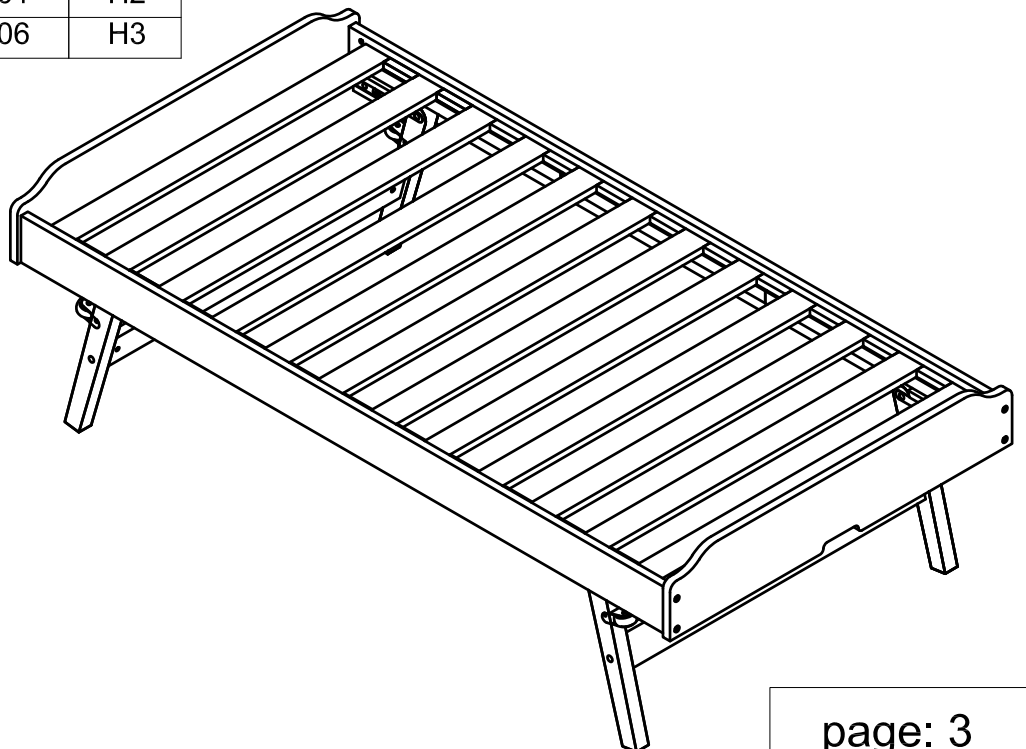


Step 3: To complete assembly screw wooden slats into position as indicated using screws B

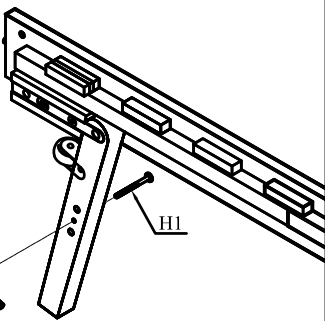
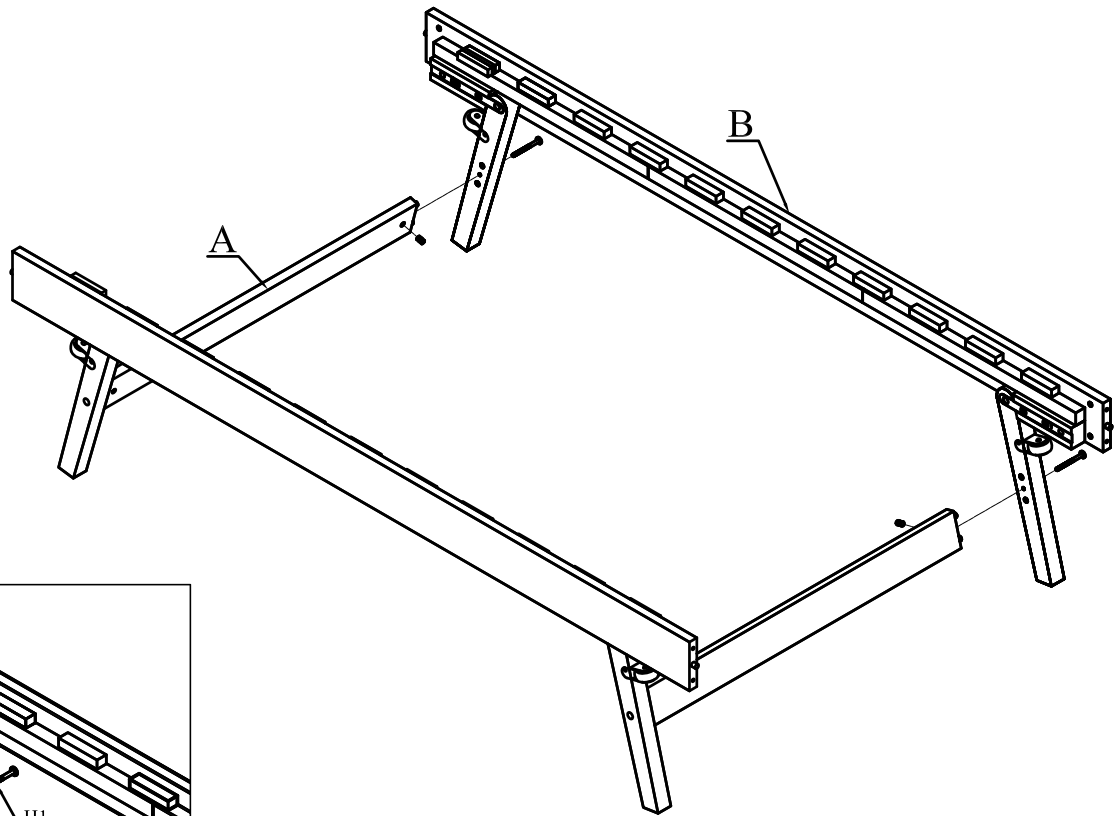
B x6



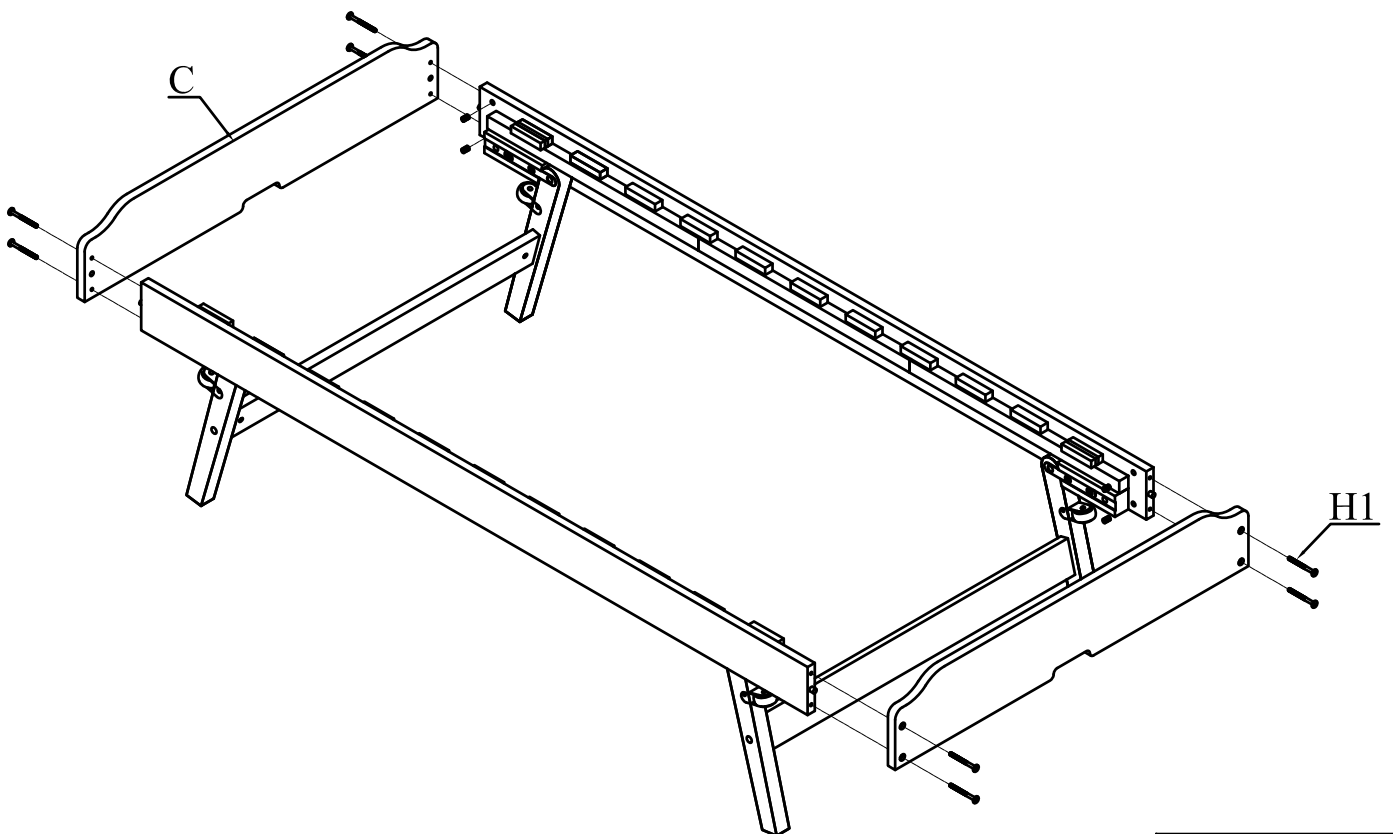
Item	Description	Qty	Code
1	Support	02	A
2	Bed rails	02	B
3	End panel	02	C
4	Bed slats	12	D
5	Cam screw	12	H1
6	Allen Key	01	H2
7	Screws	06	H3



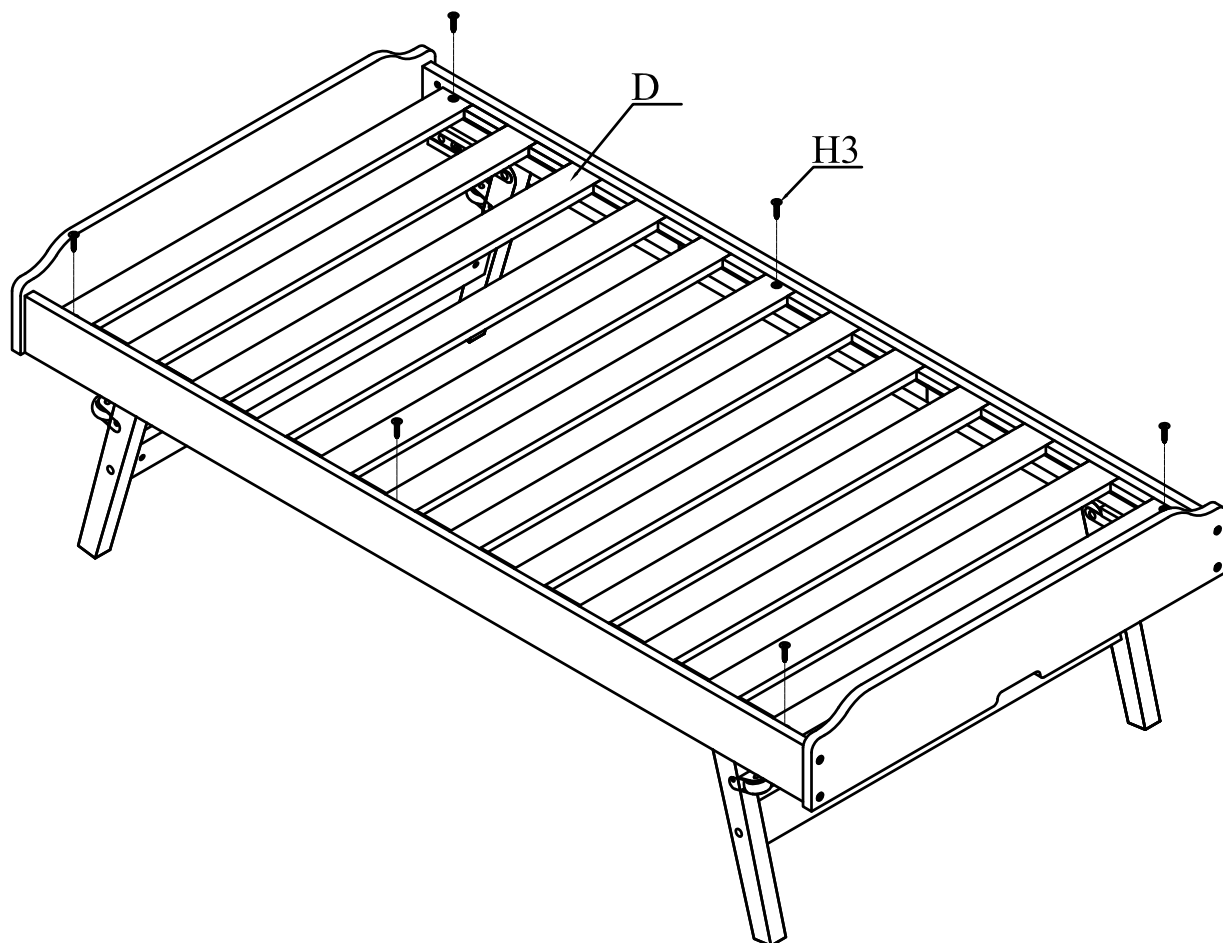
Step 1



Step 2



Step 3



Step 4

