

PLEASE READ this sheet prior to assembly to familiarise yourself with the various stages of construction. Carefully open the pack supplied and check the contents against the parts and fittings check list.

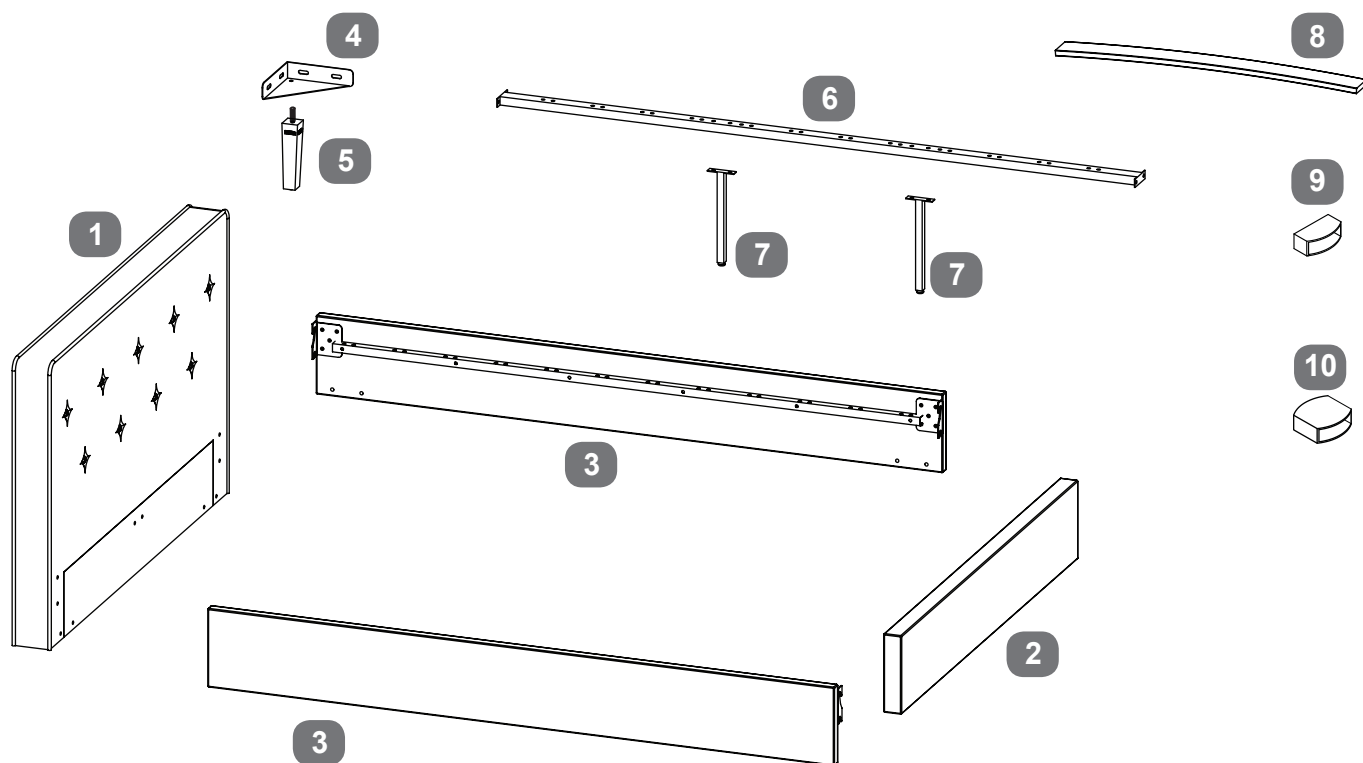
Do not destroy any of the packaging until you are certain that you have all the necessary parts for the assembly.

Please ensure that the packaging is disposed of in a safe environmentally friendly way.

CAUTION: There are small components used in the construction of this unit. These loose items should be kept away from young children during assembly, to avoid the danger of choking.

IMPORTANT: BEFORE STARTING TO ASSEMBLE THE BED - PLEASE READ THESE INSTRUCTIONS CAREFULLY.

Parts Identification



Parts Checklist

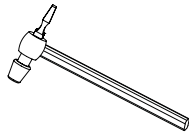
| Ref. | Description | Qty | Ref. | Description | Qty |
|------|----------------|-----|------|-------------------------|-------------------|
| 1 | Headboard | 1 | 6 | Centre Support Bar | 1 |
| 2 | Footboard | 1 | 7 | Centre Support Bar Legs | 2 |
| 3 | Side Rails | 2 | 8 | Wooden Slats | Double/King 24/26 |
| 4 | Angle Brackets | 4 | 9 | Single Plastic Caps | Double/King 24/26 |
| 5 | Wooden Legs | 4 | 10 | Double Plastic Caps | Double/King 12/13 |

Fittings Checklist

HARDWARE NEEDED FOR BED ASSEMBLY

| Code | Description | Qty | Code | Description | Qty |
|------|---|-----|------|--|-----|
| A | Bolts (M8x30mm) for fitting side rails (3) and to headboard & footboard (1&2) | x28 | E | Bolts (M8x40mm) for fitting Centre Support Bar Legs (7) to Centre Support Bar (6) | x4 |
| B | Spring Washers (for M8 bolts) | x28 | F | M8 nuts for fixing Legs (5) to corner brackets (4) and fitting centre bar support legs (7) | x8 |
| C | Flat Washers (for M8 bolts) | x36 | G | Spanner (for M8 nut) | x1 |
| D | Allen Key (for M8 bolt) | x1 | | | |

Additional Tools Required



Care & Maintenance

In the unlikely event of missing or damaged parts, please contact your retailer. Please have this guide at hand quoting the part code reference numbers shown when requesting spare or replacement parts.

General Hints & Tips



Please retain your assembly instruction and tools provided for future use. Periodically check that all bolts are still tight.

Assembly requires two persons.



1.5 Hrs

Approximate time to assemble this product

Bed Assembly

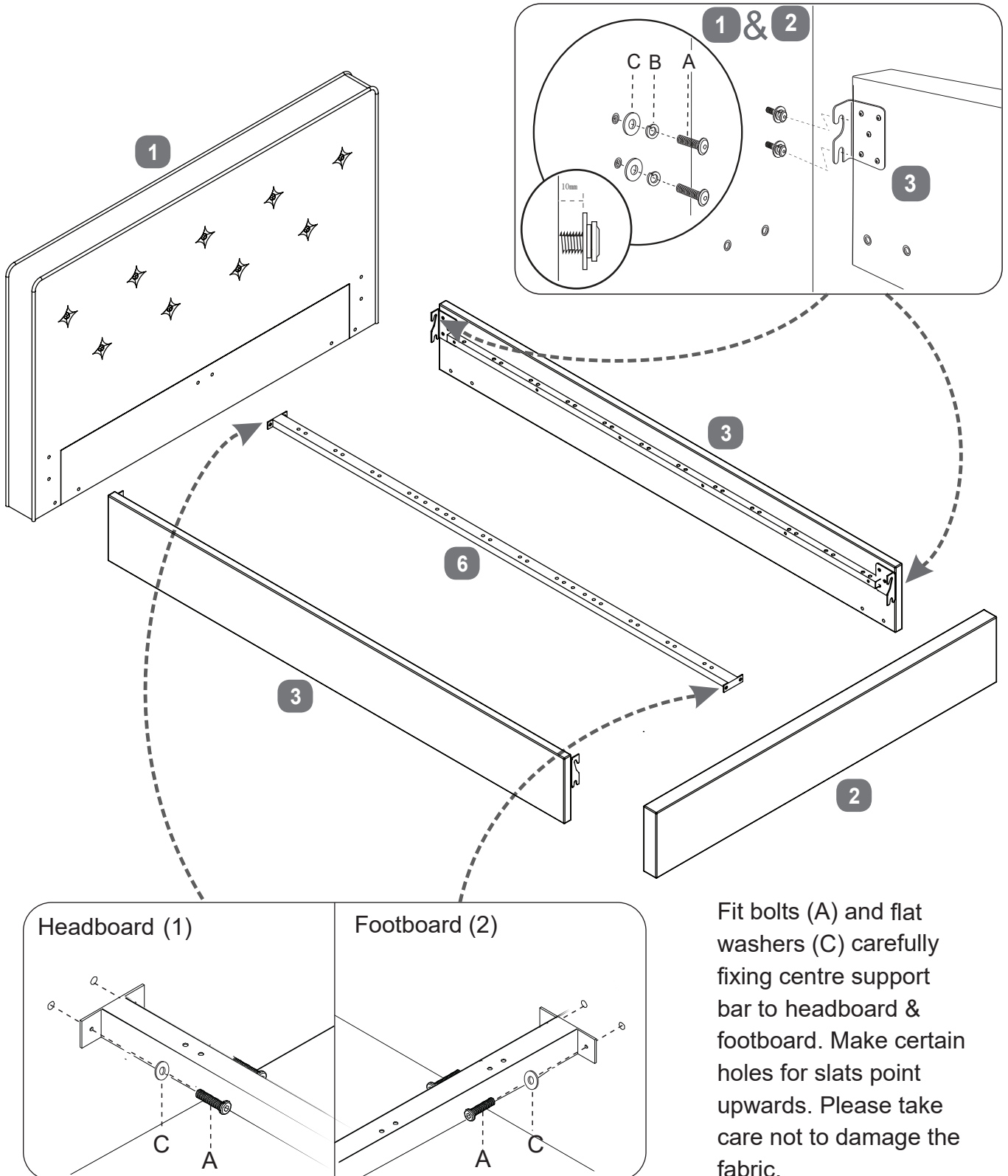
Stage
1



Fit two sets of bolts (A), spring washers (B), and flat washers (C) to the holes in the headboard (1) and footboard (2) as shown. Note: Do not tighten fully but leave 10mm protruding as in the diagram.


Fit the side rails (3) to the headboard and footboard locating the brackets behind the flat washers.

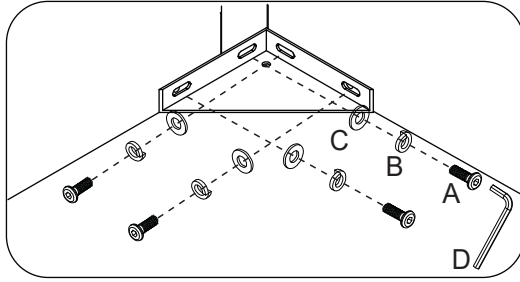
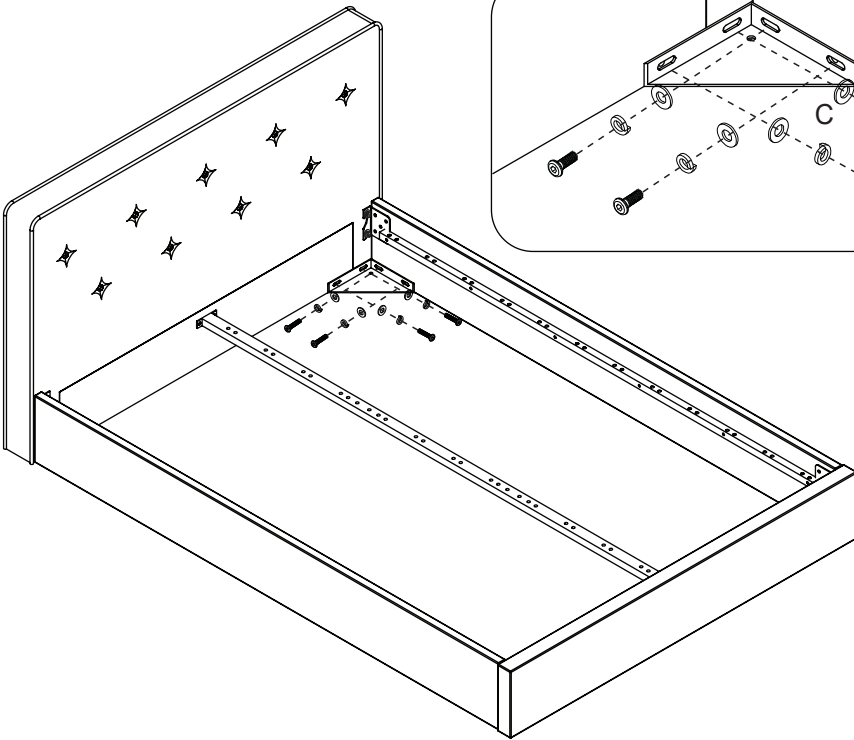
Loosely screw in the bolts but do not tighten them 100% yet.



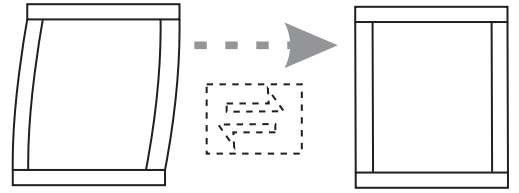
Bed Assembly

Stage
2

- A  x16 B  x16 C  x16 D  x1




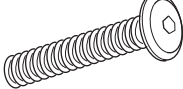




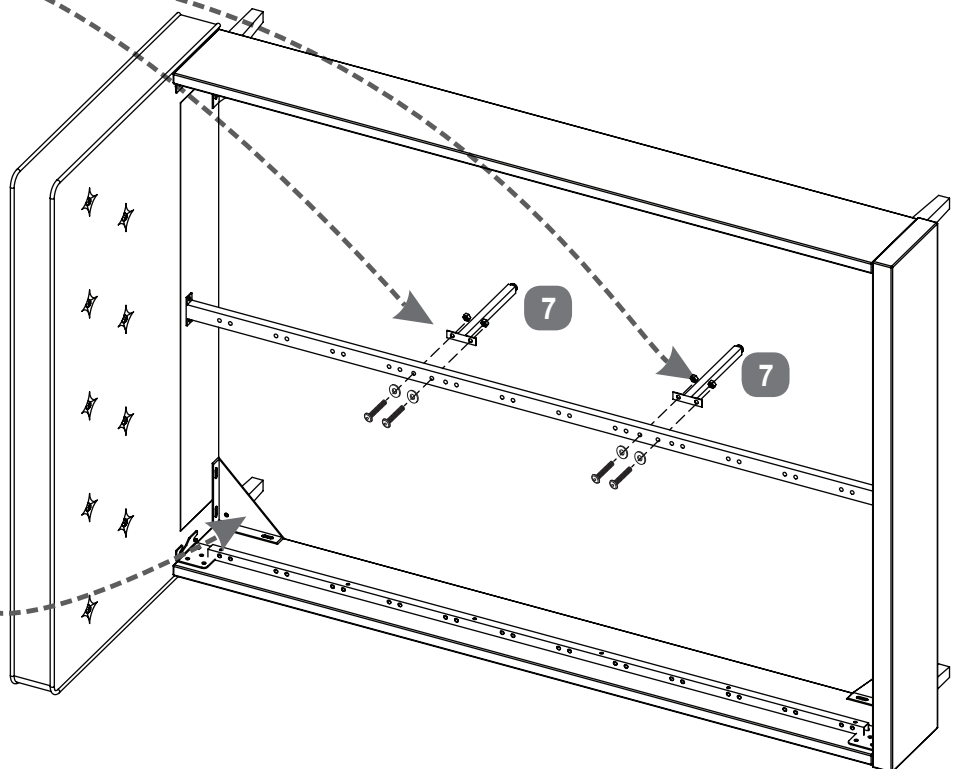
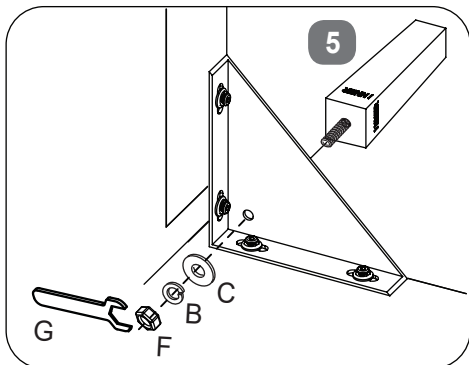
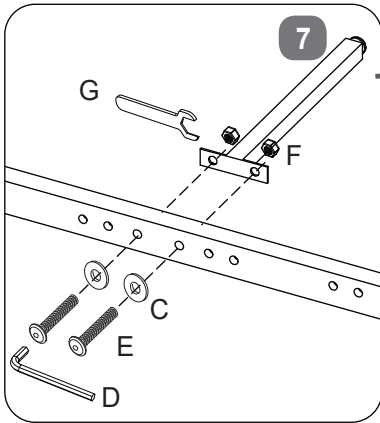
MAKE CERTAIN THE BED IS SQUARED UP, AS SHOWN IN THE DIAGRAM.



Once all four corners are located, make sure the bed is square as in the sketch, then tighten all the bolts 100% using allen key (D).

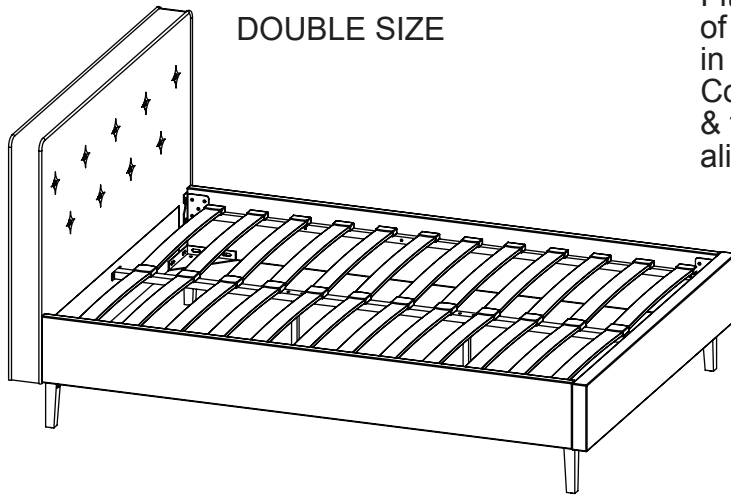
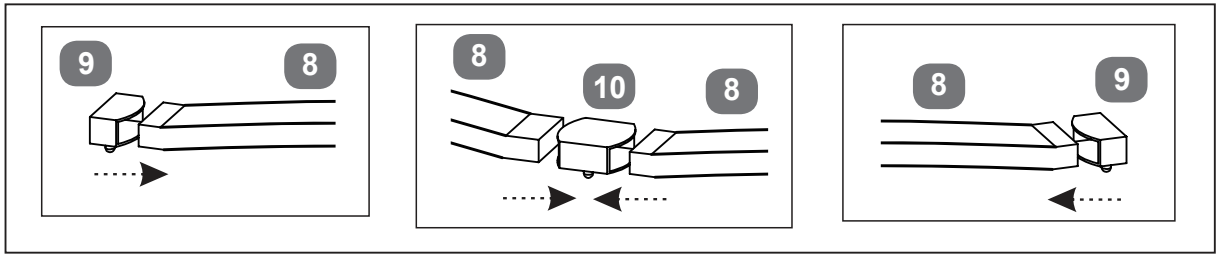
Stage
3

- B  x4 C  x8 D  x1 E  x4
- F  x8 G  x1



Bed Assembly

Stage
4



Fit single plastic caps (9) to each end of a pair of slats (8) then slide into the double cap (10) in the centre.

Connect each set onto centre support bar (6) & the supports on the side rails (3) - carefully align the lugs & tap gently with a light hammer.

