

PLEASE READ this sheet prior to assembly to familiarise yourself with the various stages of construction.

Carefully open the pack supplied and check the contents against the parts and fittings check list.

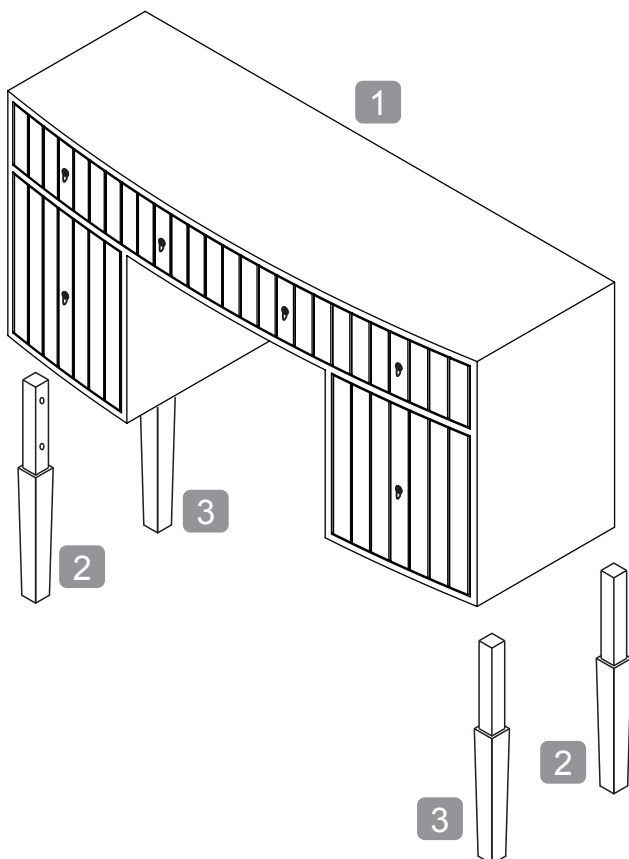
Do not destroy any of the packaging until you are certain that you have all the necessary parts for the assembly.

Please ensure that the packaging is disposed of in a safe and environmentally friendly way.

### Care & Maintenance

In the unlikely event of missing or damaged parts, please email [hello@time4sleep.co.uk](mailto:hello@time4sleep.co.uk)  
Please have this guide at hand quoting the part code reference numbers shown, when requesting spare or replacement parts.

### Parts Identification



### Warnings

Do not place very hot or very cold items on the furniture unless table mats are used to prevent such items coming into direct contact with the glass.

Do not strike the glass with hard or pointed objects.

Do not use abrasive cleaners on the glass as these may scratch and damage the glass.

To clean your item, use a soft cloth, slightly dampened with water, and wipe clean. If necessary, use a few drops of washing up liquid on the cloth.

Then buff with a dry, clean cloth.

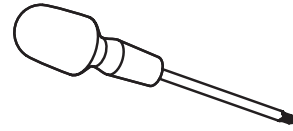
If the glass is chipped or broken and unsafe to use, please contact your retailer.

Do not drag the cabinet across the floor, lift it into position using two persons.

## Parts Checklist








| Ref. | Description    | Qty |
|------|----------------|-----|
| 1    | Dressing Table | 1   |
| 2    | LH legs        | 2   |
| 3    | RH legs        | 2   |

## Additional Tools Required



Cross-head Screwdriver

## Fittings Checklist

| Ref. | Description    | Qty  | Ref. | Description   | Qty  |
|------|----------------|--|------|---|--|
| A    | Bolts          |  x8 | D    | Allen key   |  x1 |
| B    | Spring washers |  x8 | E    | Brackets for furniture - pre-fitted by the factory. |  x2 |
| C    | Flat washers   |  x8 | F    | Brackets for wall                                   |  x2 |
|      |                |  | G    | Cable ties  |  x2 |

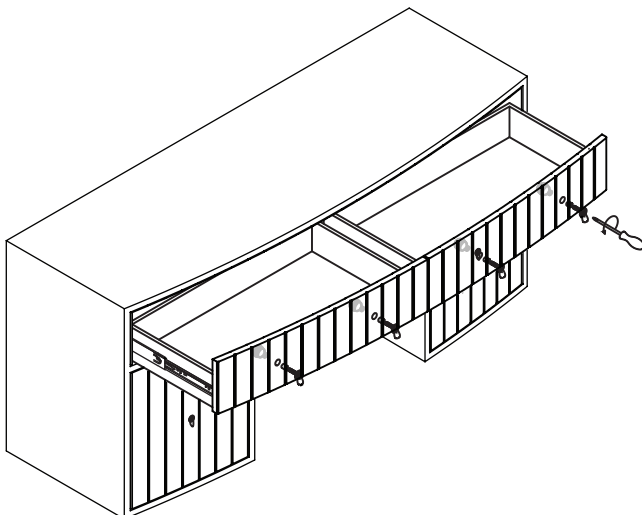
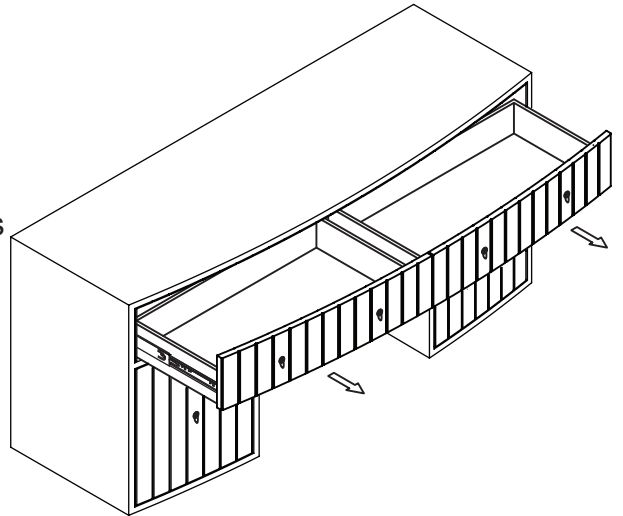
Stage

1

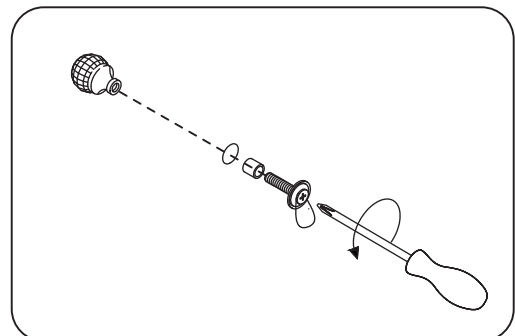
## Reversing the knobs

The knobs are mounted inside of the drawers to protect them during transit

i) Open one of the top drawers



ii) Undo the screws and reverse the knobs re-fitting them on the outside of the drawer fronts. Repeat on the second drawer.

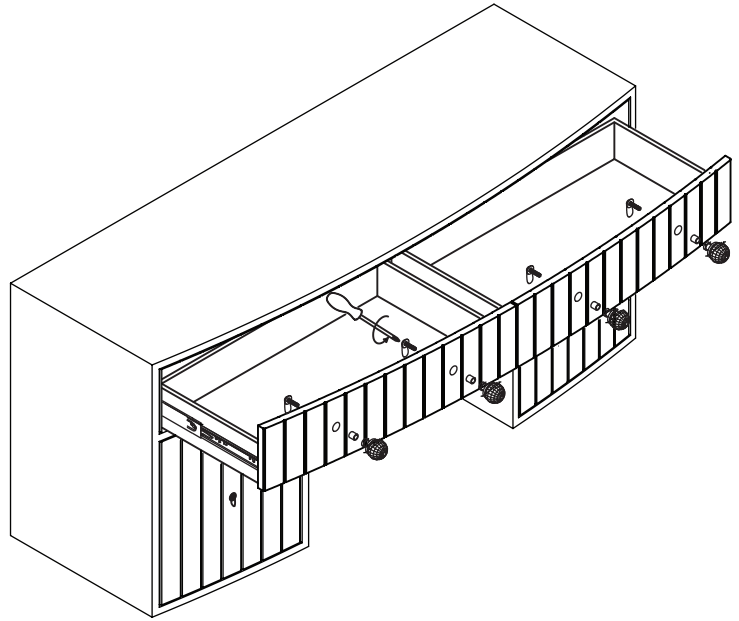
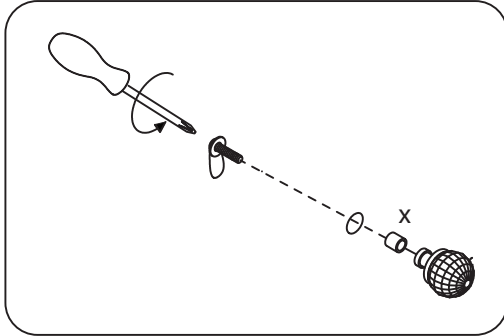


Stage  
2

## Re-fitting the knobs

iii) Make sure the ferrule (x) is re-fitted inside the holes, this is to prevent cracking the glass - please do not over-tighten the screws.

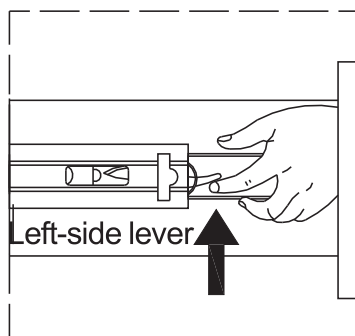
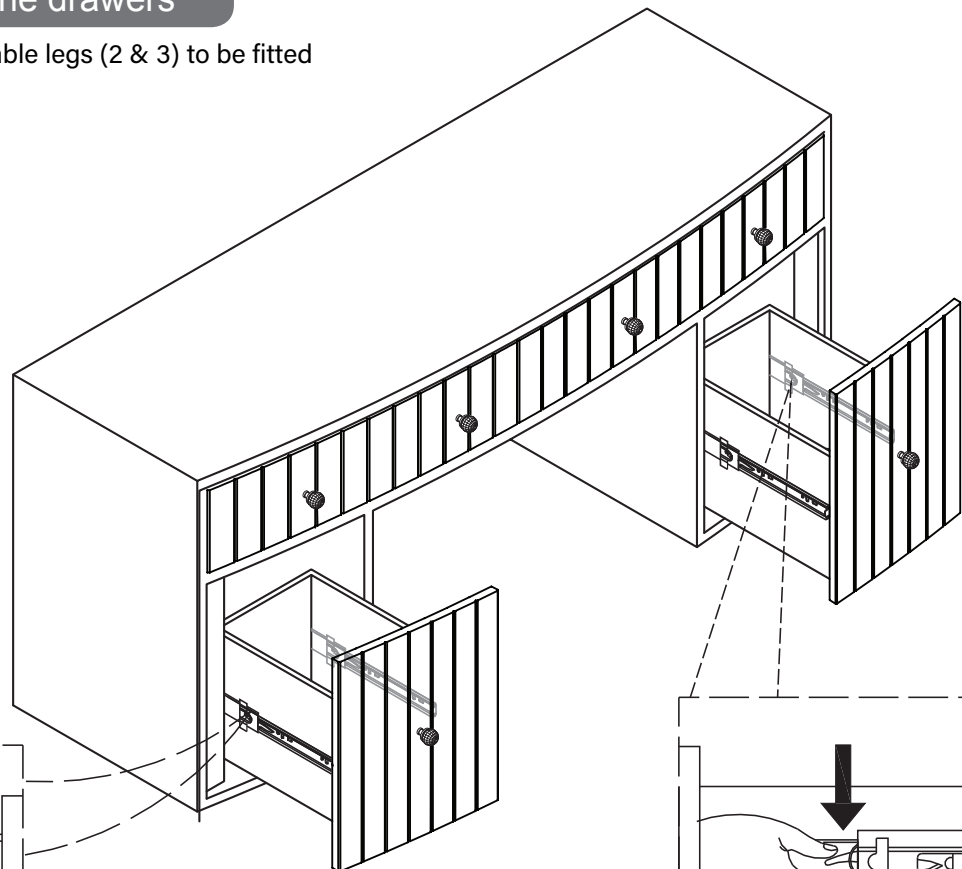
Repeat on the two lower drawers.



Stage  
3

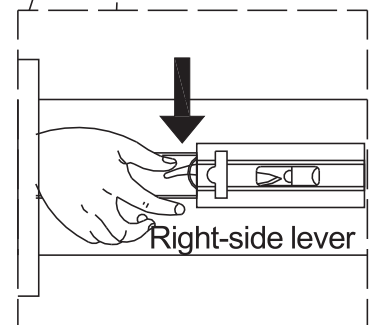
## Removing the drawers

This is to enable legs (2 & 3) to be fitted



**Press Up**

Remove the drawers carefully  
as per illustrations.

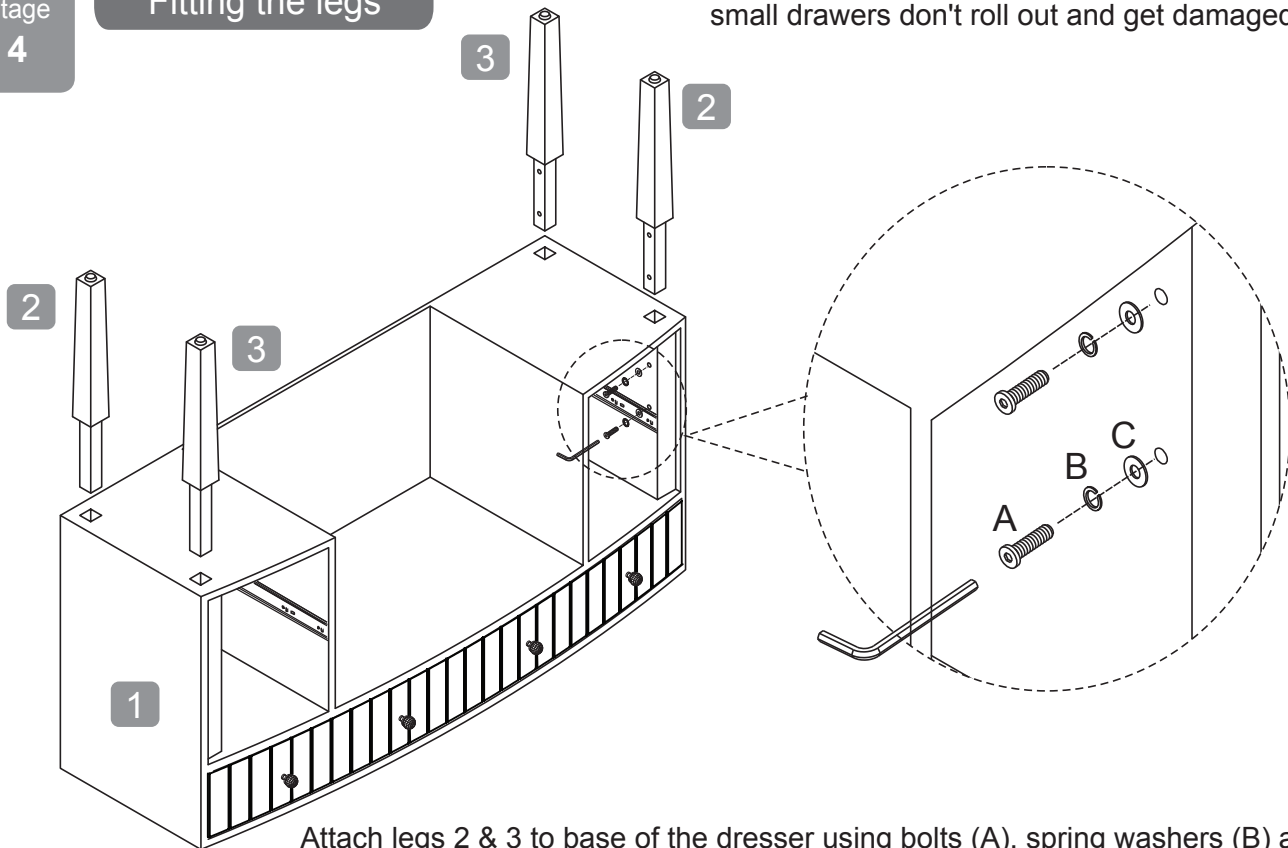


**Press Down**

Stage  
4

## Fitting the legs

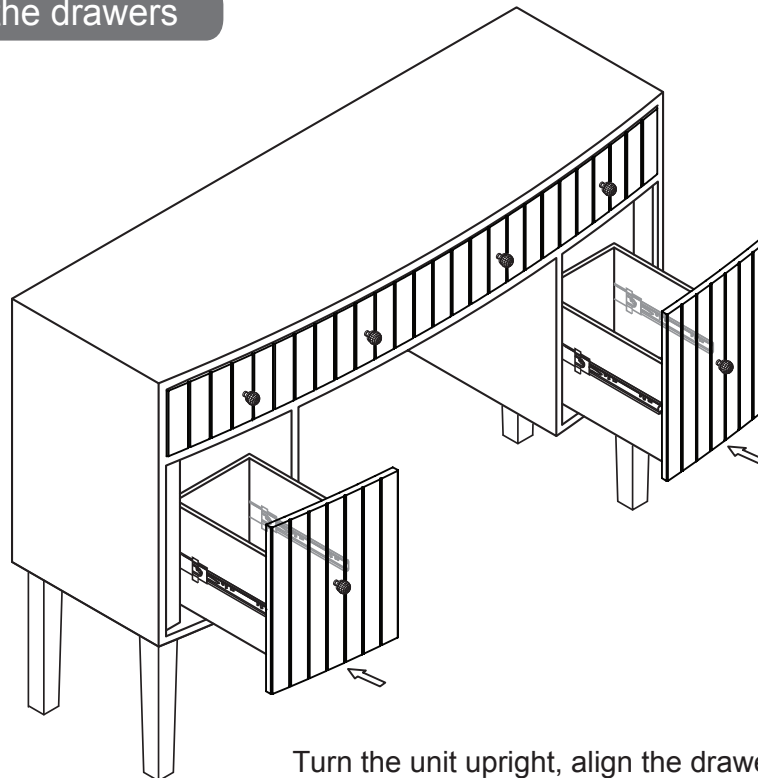
Carefully turn the dresser upside down making sure the small drawers don't roll out and get damaged.



Attach legs 2 & 3 to base of the dresser using bolts (A), spring washers (B) and flat washers (C), follow the diagram so the angles on the legs are placed correctly. Use Allen key (D) to tighten the bolts evenly, do not over-tighten. Please note that there is label on each leg that needs to be aligned with labels on the base of the dresser. They need to align and match with each other.

Stage  
5

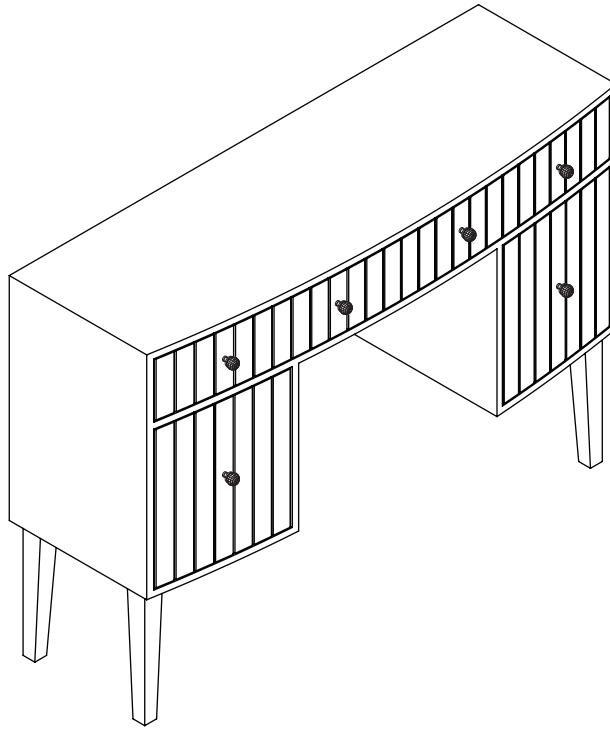
## Re-fit the drawers



Turn the unit upright, align the drawer runners and carefully slide the drawers back into the unit then lift the dresser into position.

Note: we recommend that two people do this.

It is very important to always lift your furniture off the floor when moving it, never drag it as this can damage your flooring, the dresser legs and the cabinet joints.



### Safety Warning

Fitting instructions for anti-tilt brackets.

We advise that to prevent any entrapment or unforeseen accidents, you need to secure the furniture to your wall in accordance with the following instructions. This is to prevent personal injury or property damage from unexpected tipping over of the product, especially recommended when there are children in the home.

**IMPORTANT:** Screws or wall fixing are not included with your product as wall construction varies considerably so please select a suitable fixing method for the type of walls you have in your home. If you are unsure about what type of fixing you require seek professional advice. The anti-tilt device must not be modified or altered in any way.

To secure Furniture to the wall:

1. The brackets (E) are pre-fitted to the furniture by the factory.
2. Position your furniture in the room deciding where on the wall the brackets (F) needs to be located - they need be close to, and in-line with (E) so they can be linked together. With help, lift and move furniture aside and place bracket on the wall and mark position of the 4 screws with a sharp pencil.
3. Fix brackets to the wall using suitable wall fixings, remember that screws and wall fixings are not included. Seek professional advice if unsure about a safe fixing method.
4. Feed small end of cable tie (G) down through wall bracket (F) then put furniture back in place.
5. Feed small end of cable tie up through the furniture bracket (E), push into receiving end of the tie.
6. Now pull tight.

Now your furniture is now protected from falling over.

Please do not allow children to climb on the product.

