



Important Information

Please note the recommended process for adjusting centre legs when assembling your bed.

Before placing the mattress on the base, please ensure that the **SUPPORT LEGS ARE NOT QUITE TOUCHING THE FLOOR BY AROUND 10MM**. When the bed is then in use the support legs will sit firmly on the solid surface.

PLEASE ENSURE THAT THE LEGS ARE VERTICAL.

When moving the bed it is essential that it is **LIFTED** into the new position. **NEVER DRAG** the bed as this will move the legs from the vertical position thus weakening the support of the centre rail.

Adhering to the recommended process will ensure that your bed gives you years of trouble free service.

ASSEMBLY INSTRUCTIONS - KING






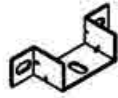







QB-8783



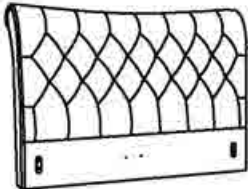
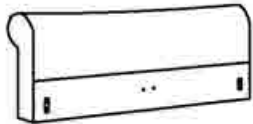


Tools Needed
2 person build



BED FITTINGS

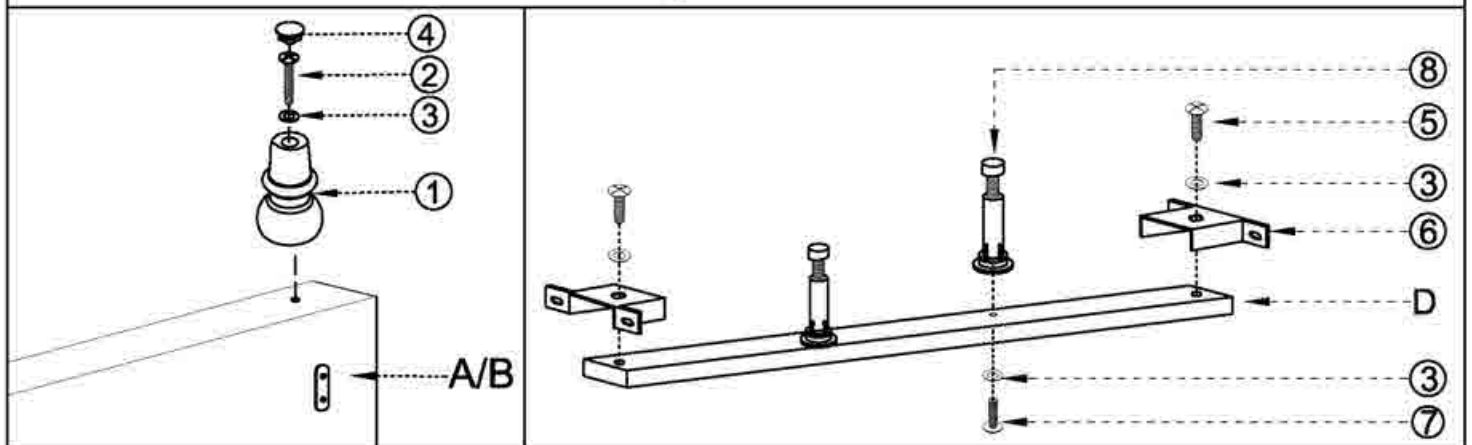
						
Feet	Bolts (m8*90)	Washers (m8)	Feet stoppers	Bolts (m8*20)	Brackets	Bolts (m8*40)
① X 4	② X 4	③ X 12	④ X 4	⑤ X 6	⑥ X 2	⑦ X 2
						
Plastic Support legs	Gold Bolts (M8*18)	Allen Key (M5)	Centre plastic cap	End plastic cap	Slats	
⑧ X 2	⑨ X 8	⑩ X 1	⑪ X 14	⑫ X 28	⑬ X 28	

PART LIST

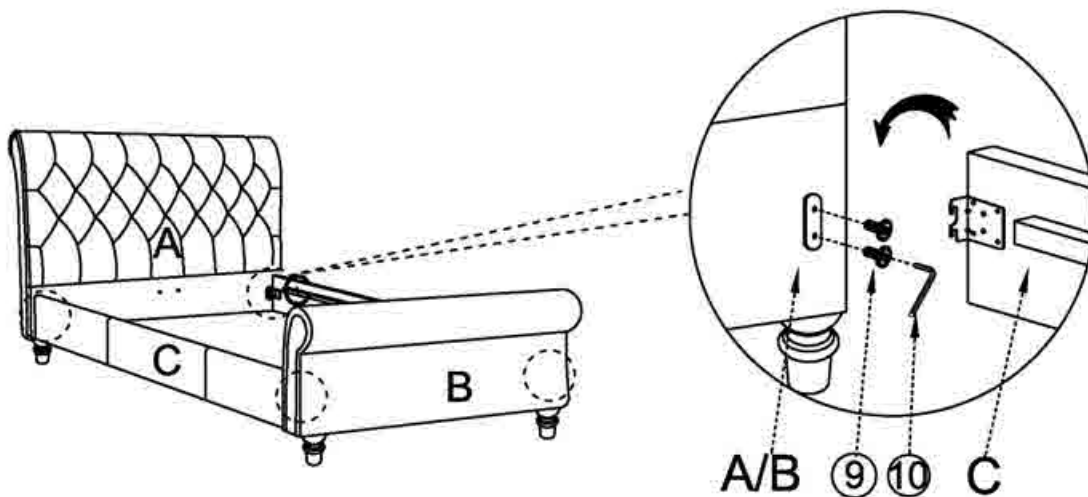
	
Headboard	Footboard
A X 1	B X 1
	
Side Rails	Center Support
C X 2	D X 1

Step 1

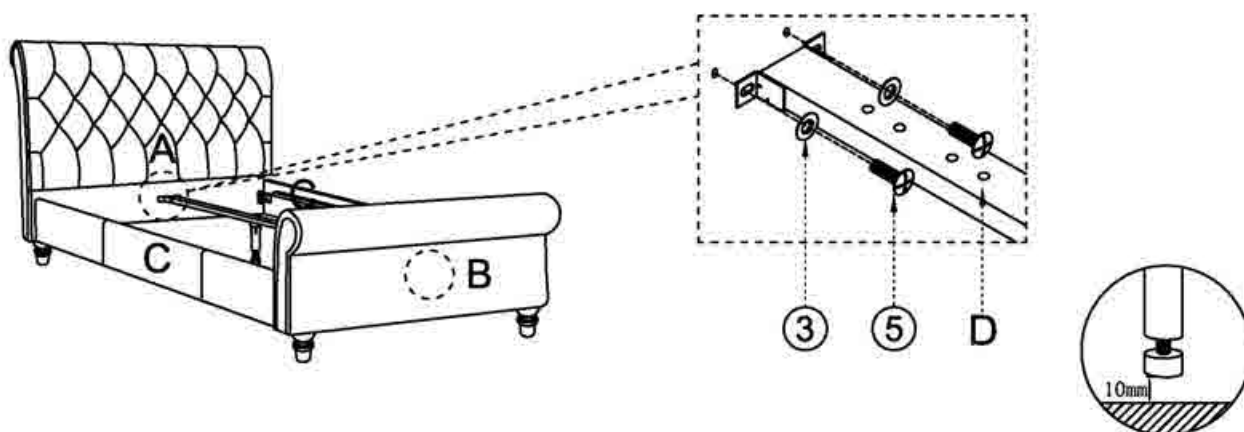
Step 2



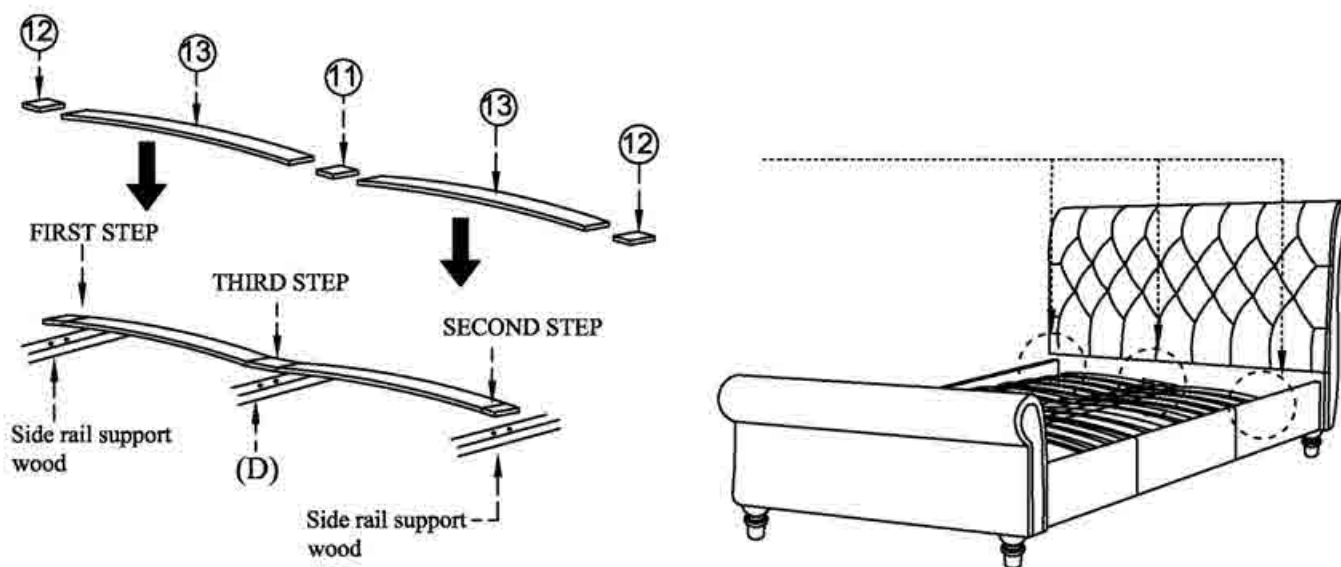
Step 3



Step 4



Step 5



REMARK : ONCE BED IS ASSEMBLED, **DO NOT** SIT, STAND OR APPLY WEIGHT DIRECTLY TO SLATS UNLESS MATTRESS IS IN PLACE.