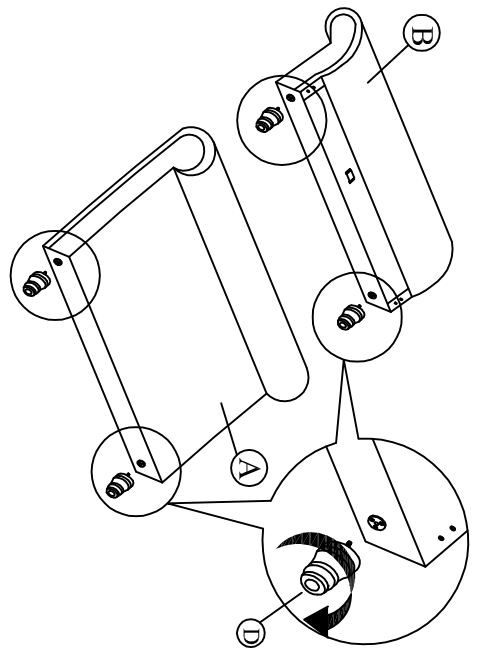


ASSEMBLY INSTRUCTION

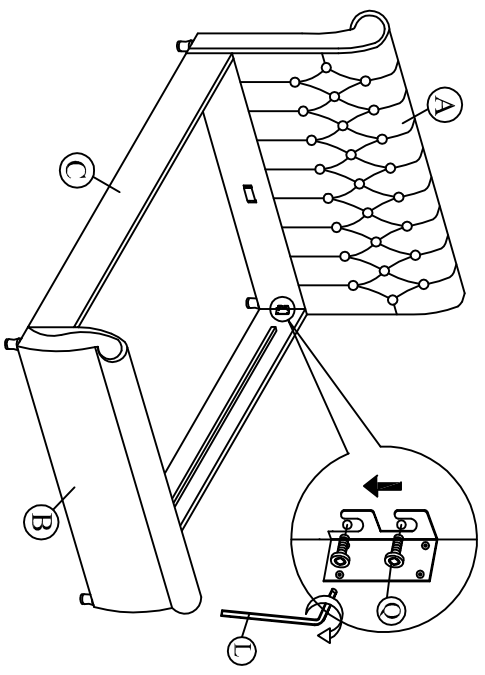
MODEL : CF 8018 (5⁺)

A	Headboard	1 pc
B	Footboard	1 pc
C	Side Rail	2 pcs
D	Leg	4 pcs
E	Center Rail	1 pc
F	Support Leg	2 pcs
G	Slat	28 pcs
H	Middle Holder	14 pcs
I	End Holder	28 pcs
J	ICBC M6 X 40	2 pcs
K	M4 x 65mm	1 pc
L	M5 x 70mm	1 pc
M	CSK M4 x 25mm	2 pcs
N	CSK M4 x 32mm	3 pcs
O	Stiffener Slot (3 Holes)	1 pc
P	Adjuster	2 pcs
Q	ICBB M8 X 20	8 pcs

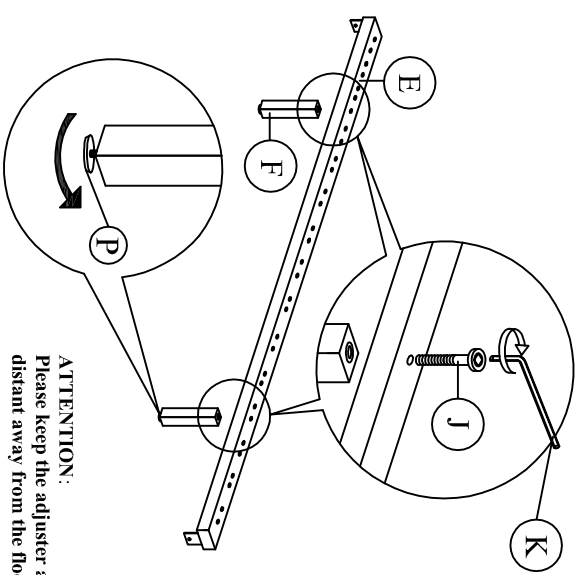
Step 1: Tighten the legs (D) to the footboard (B) as shown.



Step 2: Attach side rail (C) to headboard (A) and footboard (B) by pushing the bracket down to fit it.

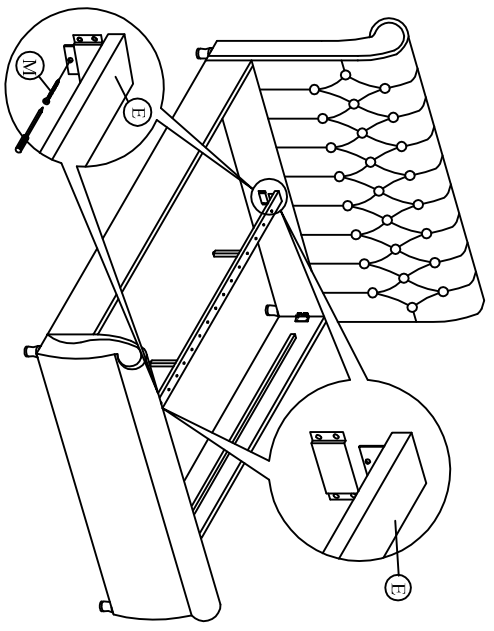


Step 3: Attach the support legs (F) to the center rail (E) of the bed as shown.



ATTENTION:
Please keep the adjuster around 5 to 8 mm distant away from the floor.

Step 4: Slide the center rail (E) to the headboard (A) and footboard (B). Tighten screws (M) using screw driver (not included) to the headboard (A) and footboard (B)



Step 5: Affix the Stiffener Slat (O) to the side rail support wood and the center rail (E) . Tighten all the 4 corner ,follow by assembly of the slat holders with L VL slats as shown.

