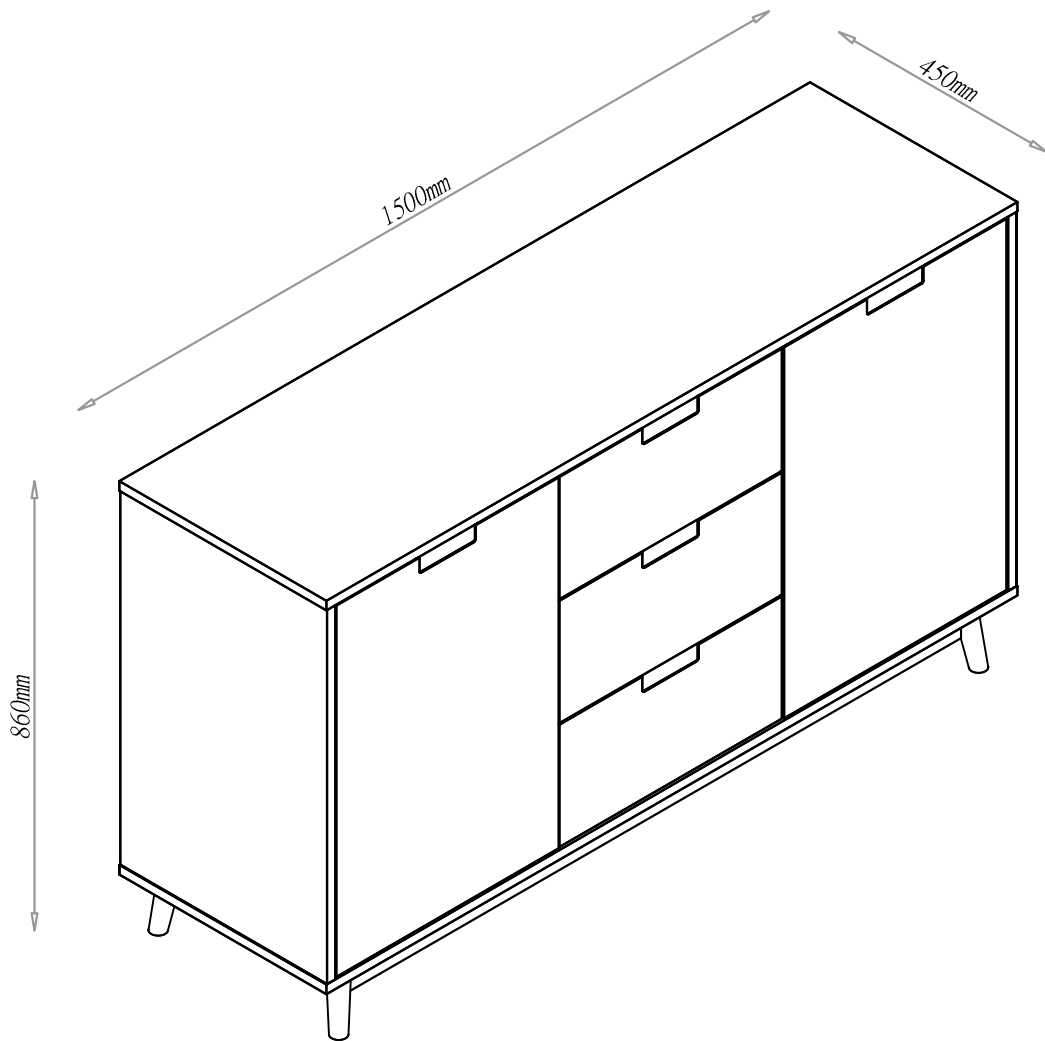
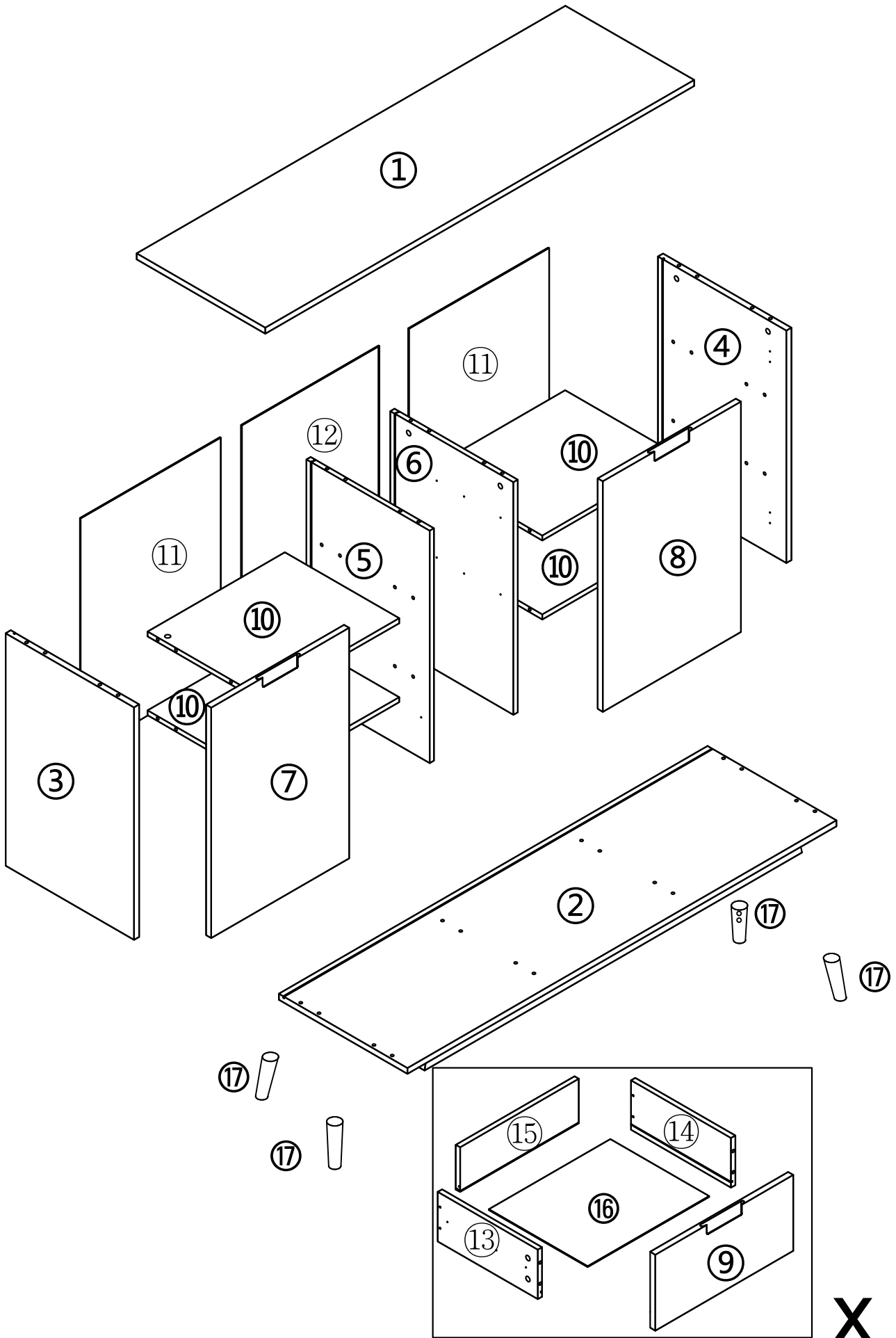
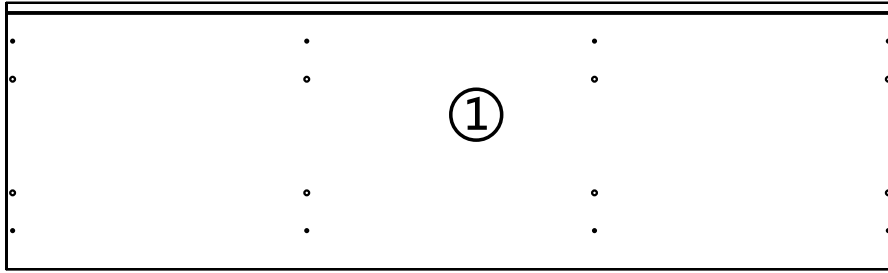


Copenhagen Sideboard

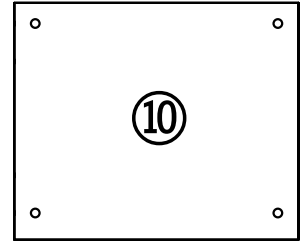
3101002
3101003



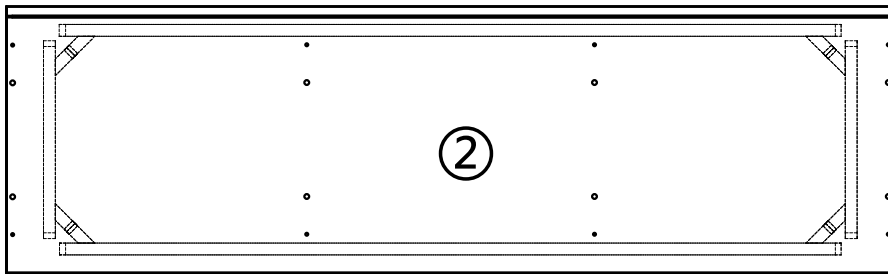




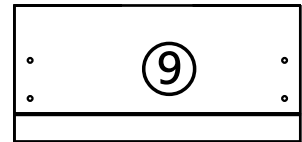
450x1500x18mm(x1)



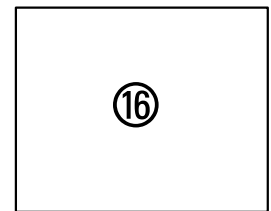
399x480x16mm(x4)



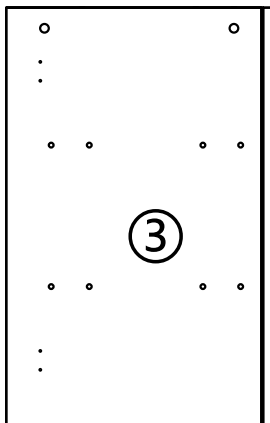
450x1500x18mm(x1)



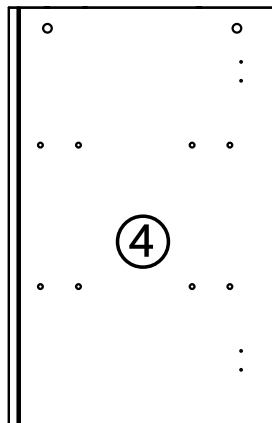
230x483x18mm(x3)



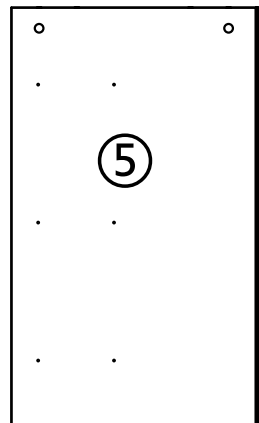
370x441x3mm(x3)



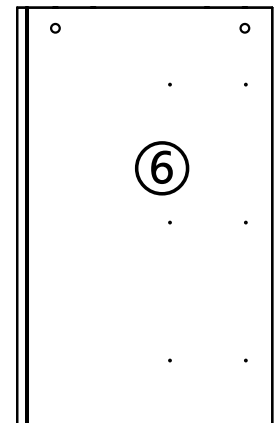
448x704x18mm(x1)



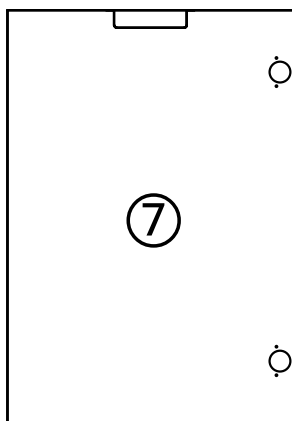
448x704x18mm(x1)



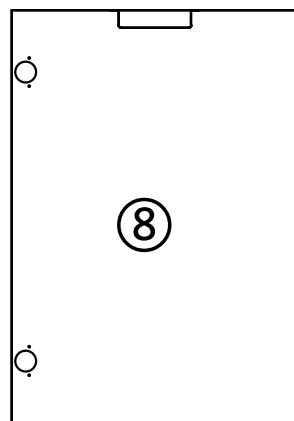
427x704x16mm(x1)



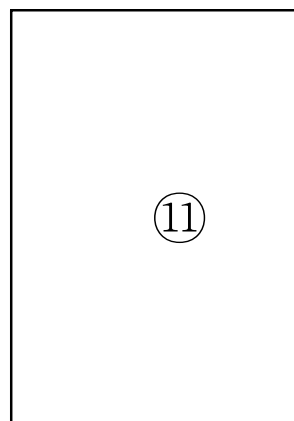
427x704x16mm(x1)



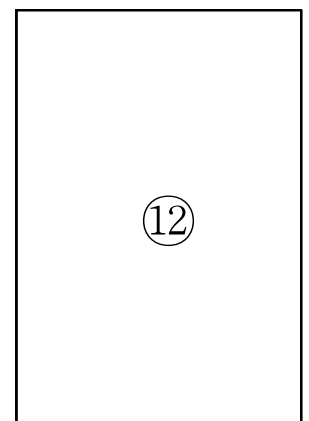
483x698x18mm(x1)



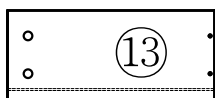
483x698x18mm(x1)



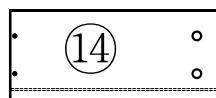
490x716x3mm(x2)



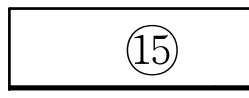
475x716x3mm(x1)



150x350x16mm(x3)








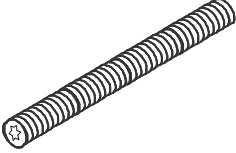
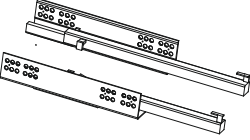


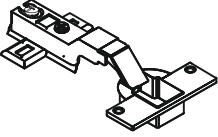

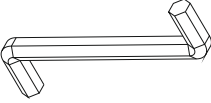

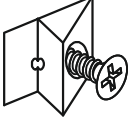



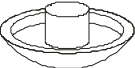
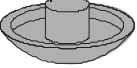
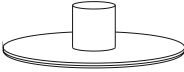
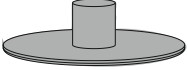
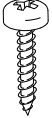
150x350x16mm(x3)



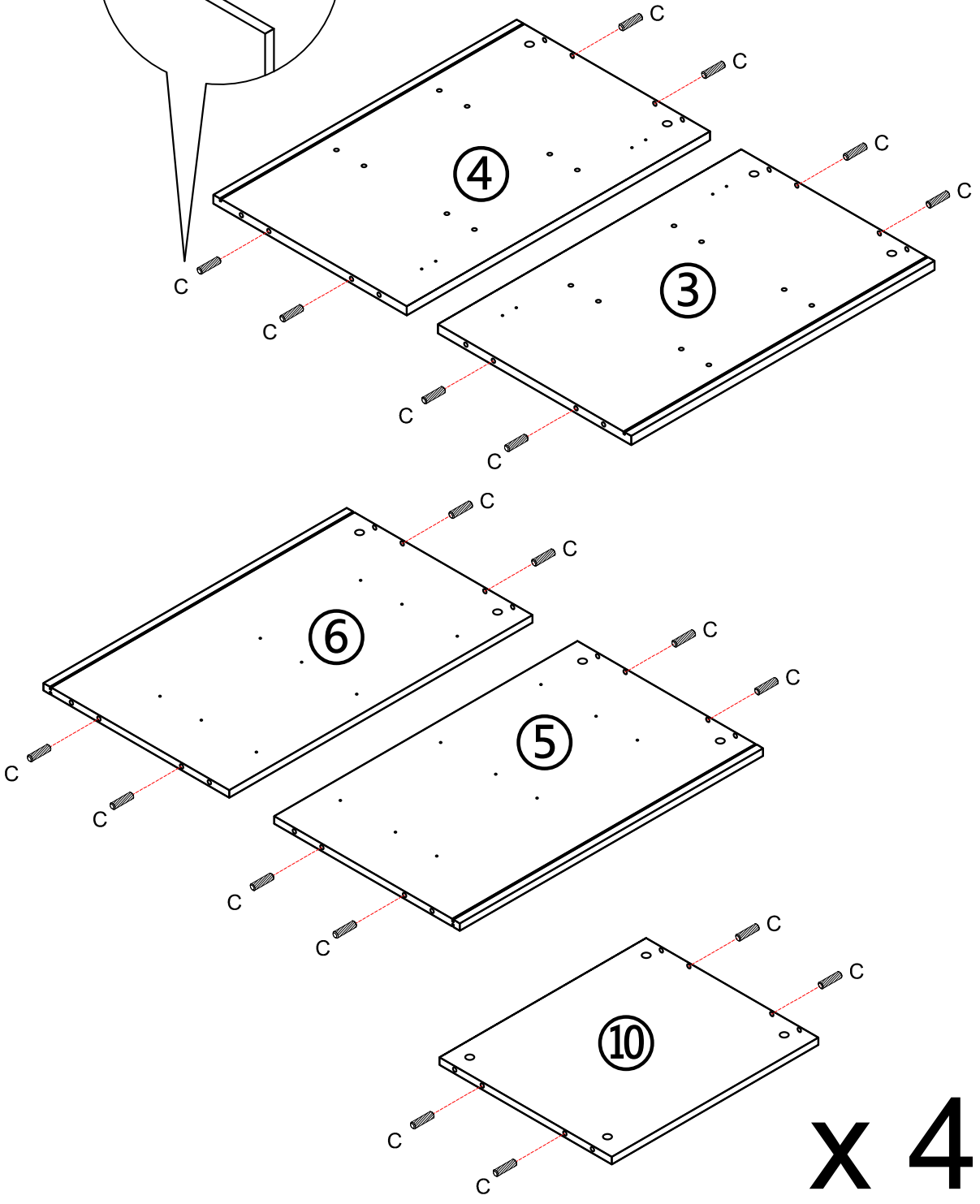
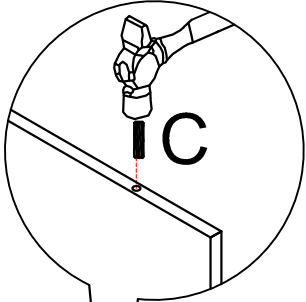
135x431x16mm(x3)



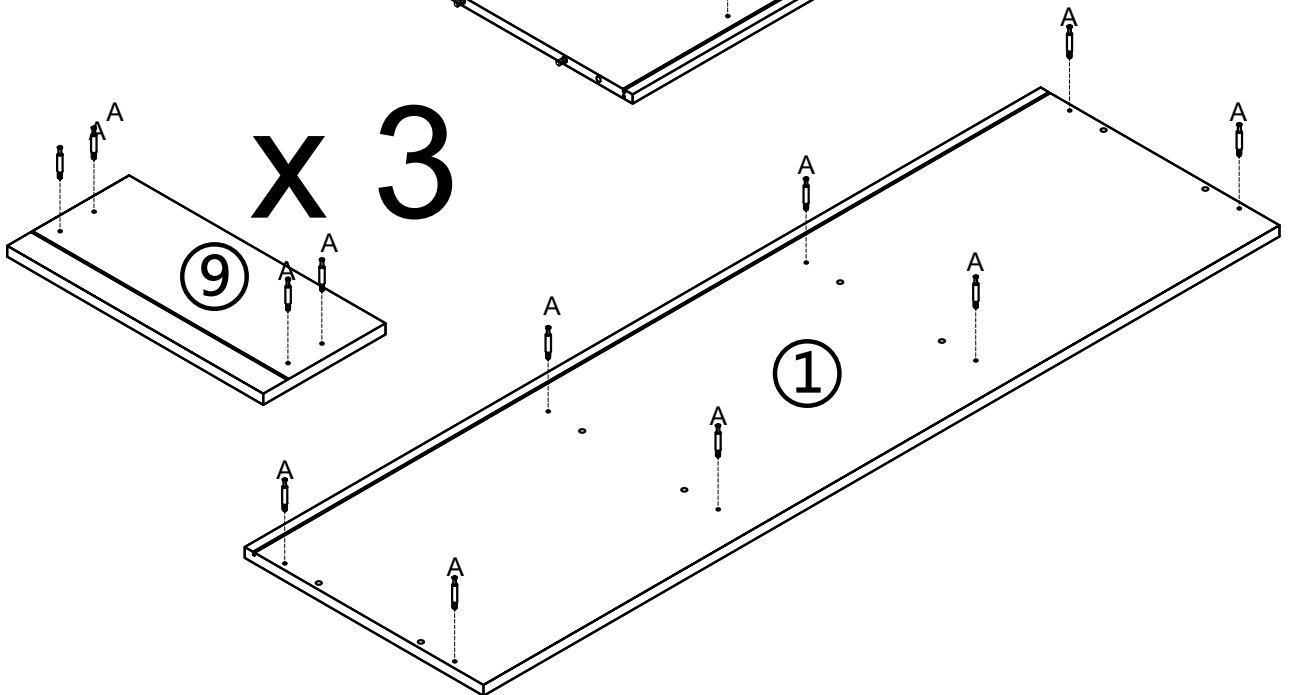
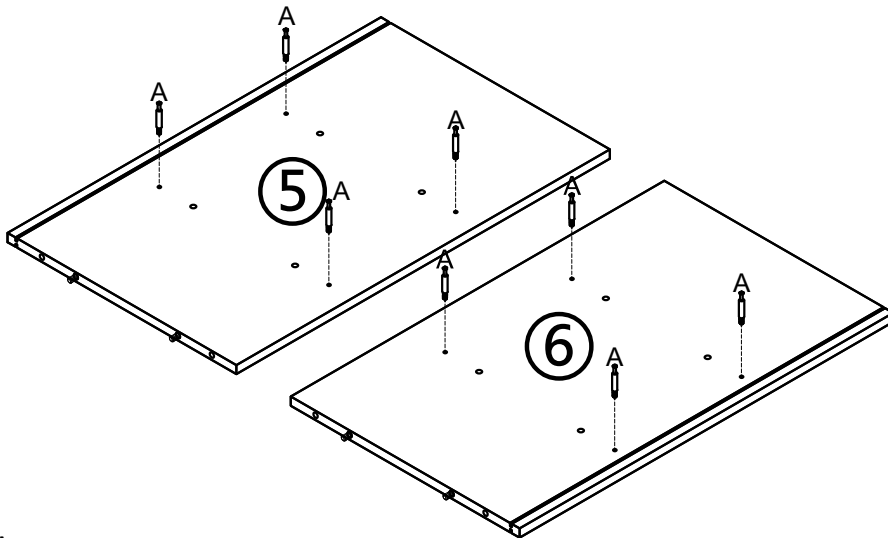
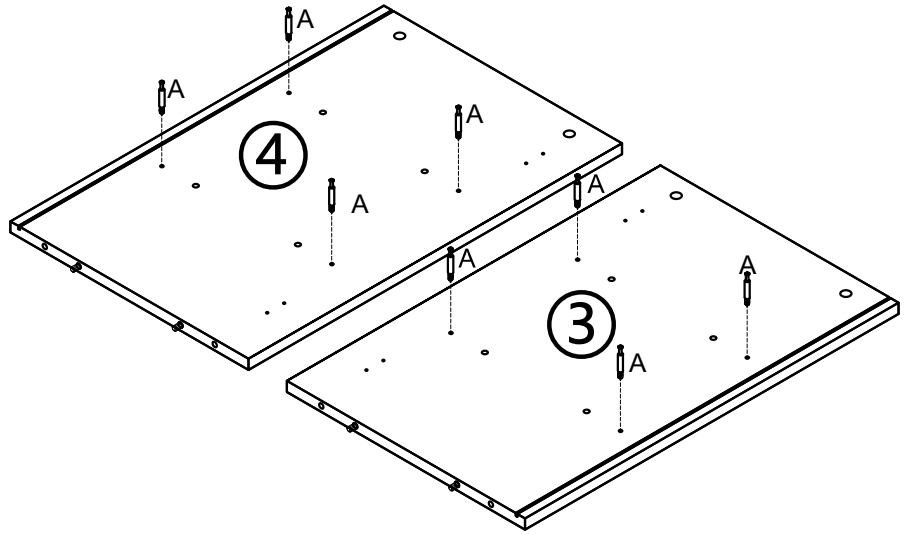
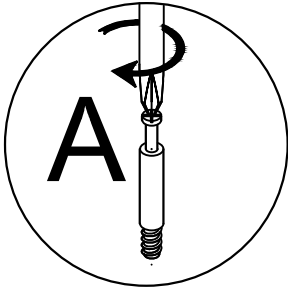
40x40x120mm(x4)

 ø7x43mm 36xA	 ø15x12mm 32xB	 ø8x30mm 32xC	 ø6,3x50mm 20xD
 ø3.5x13mm 8xH	 ø8x100mm 4xF	 L:350mm 3xG	 ø15x14mm 4xH
 ø24mm 4xJ	 4xK	 ø24mm 4xL	 M4 1xM
 ø24mm 4xN	 10xO	 ø6,3x13mm 8xP	 ø6,3x13mm 12xQ
 3xR	 12xS	 8xT	 32xV
 4xW	 ø3.5x16mm 12xZ		

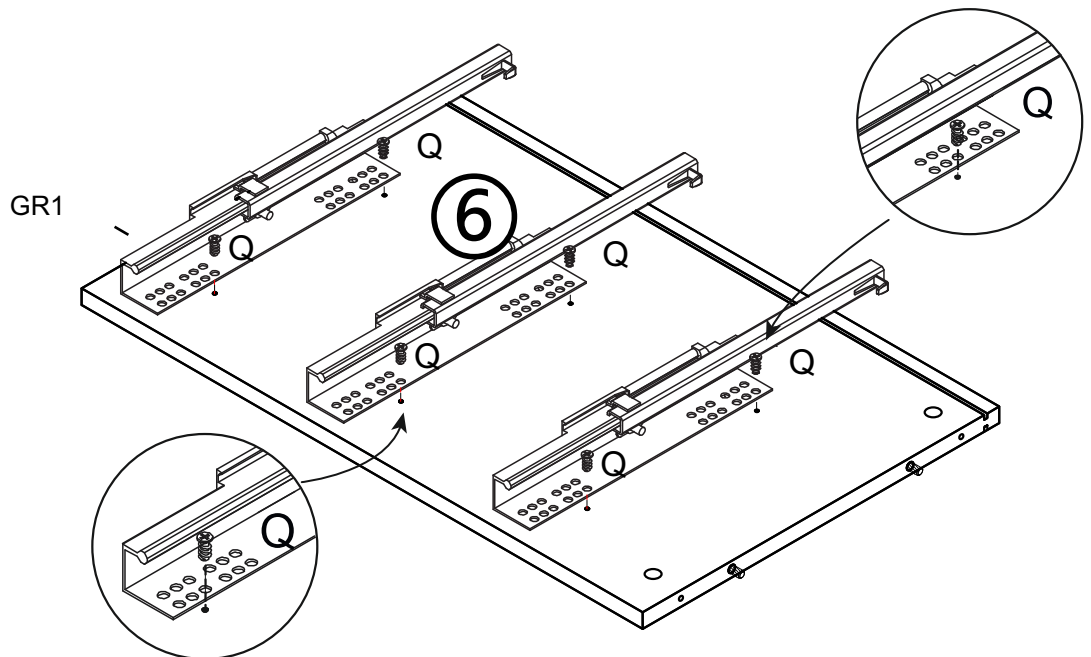
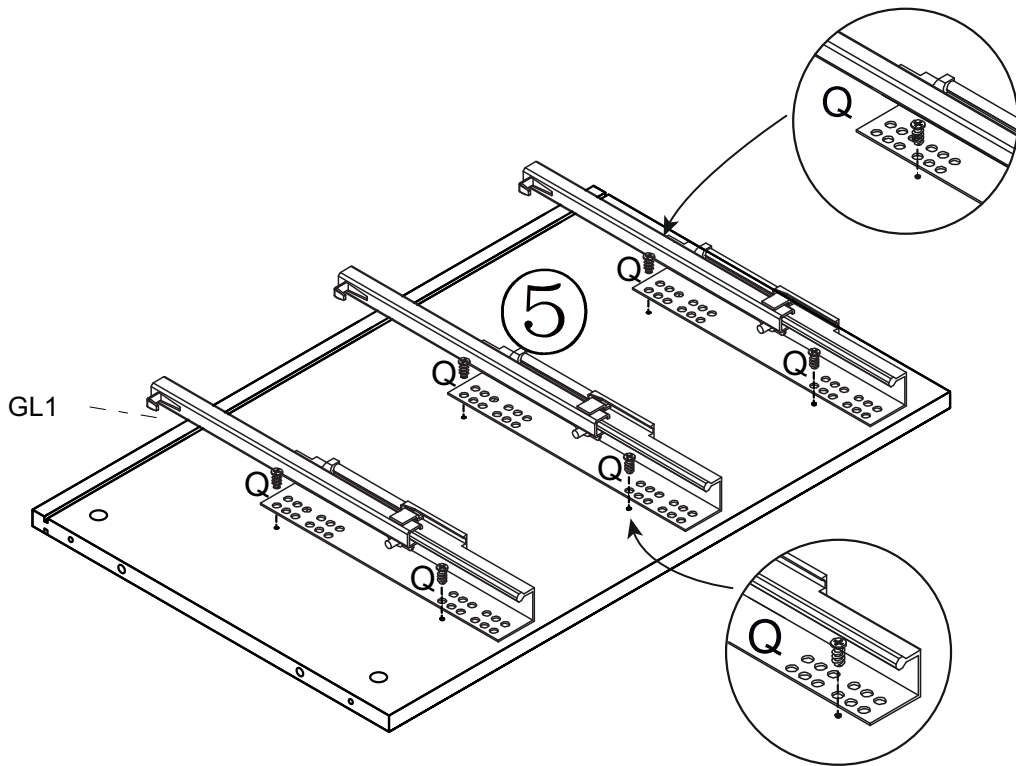
1





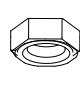

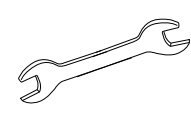
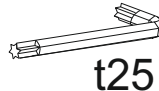
2

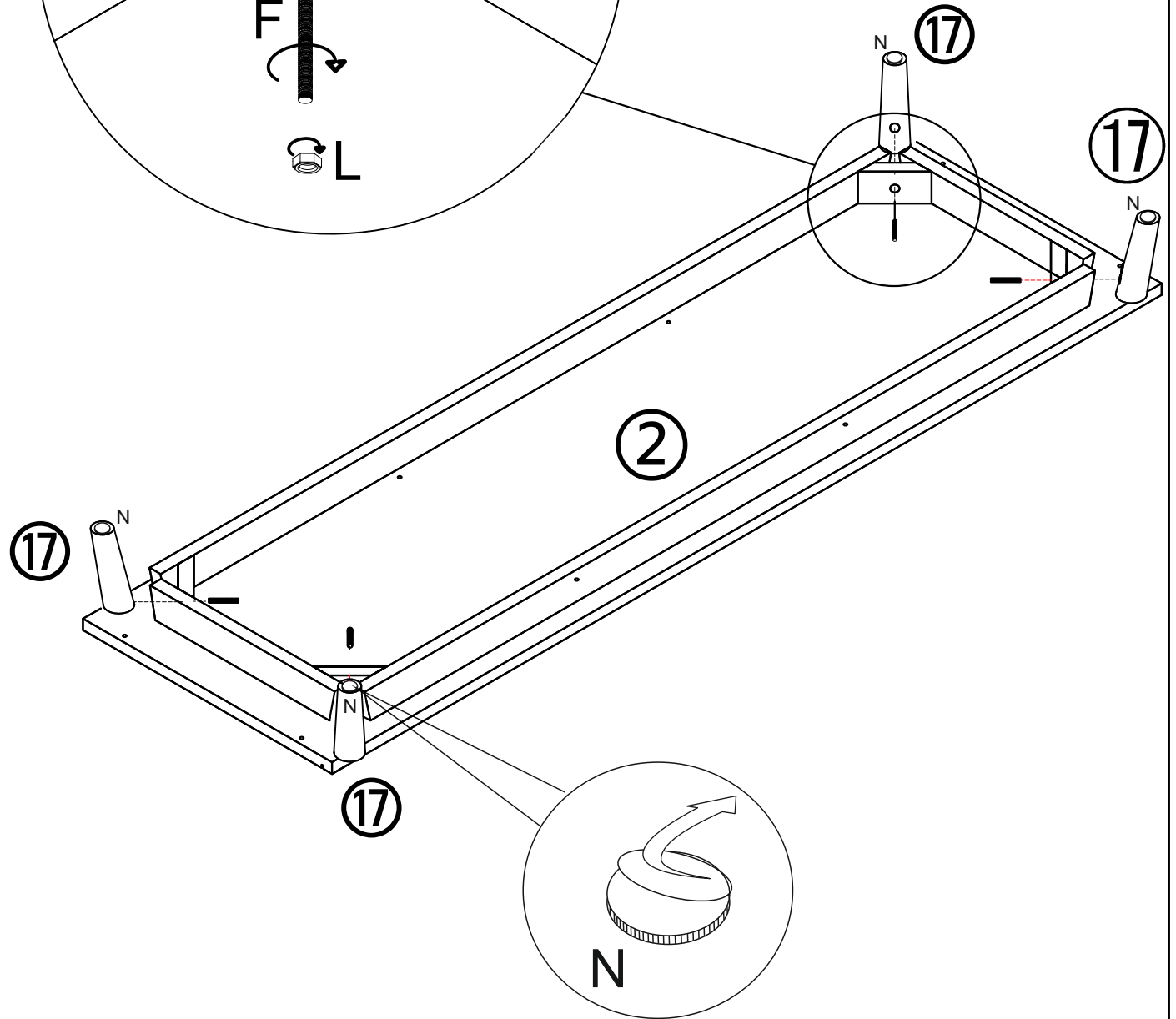
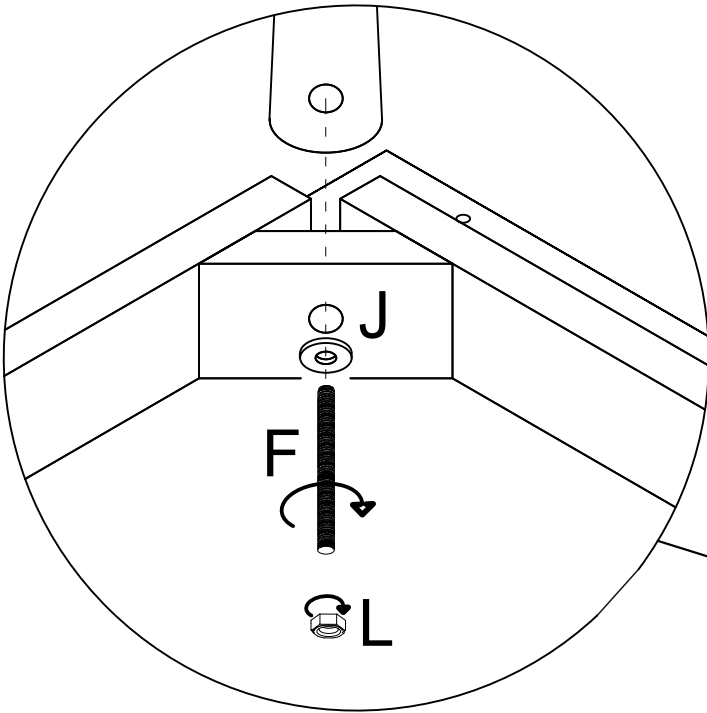


3

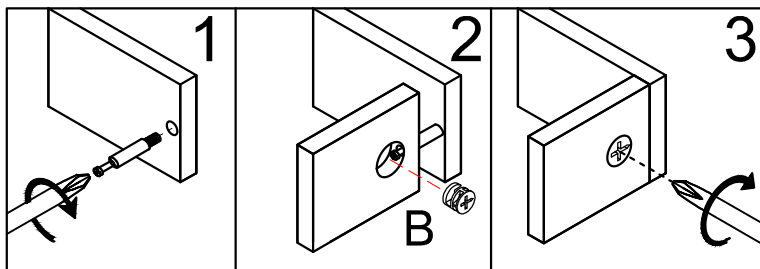
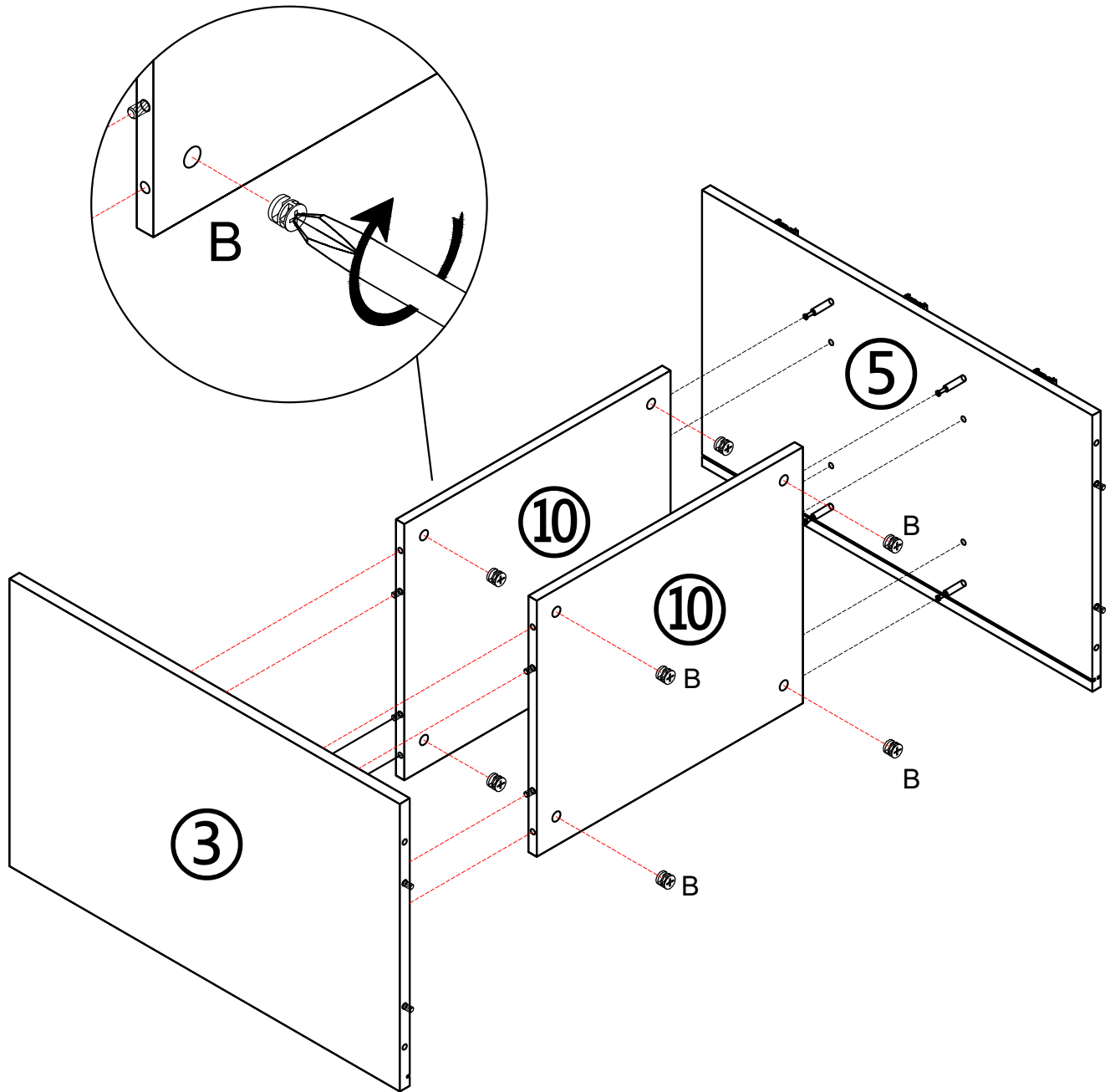


4

 4xF	 4xJ	 4xL	 4xN		
					 t25



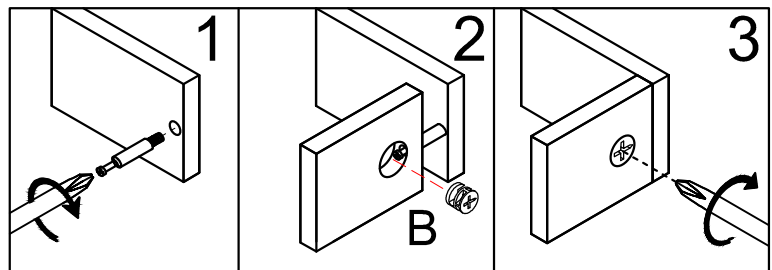
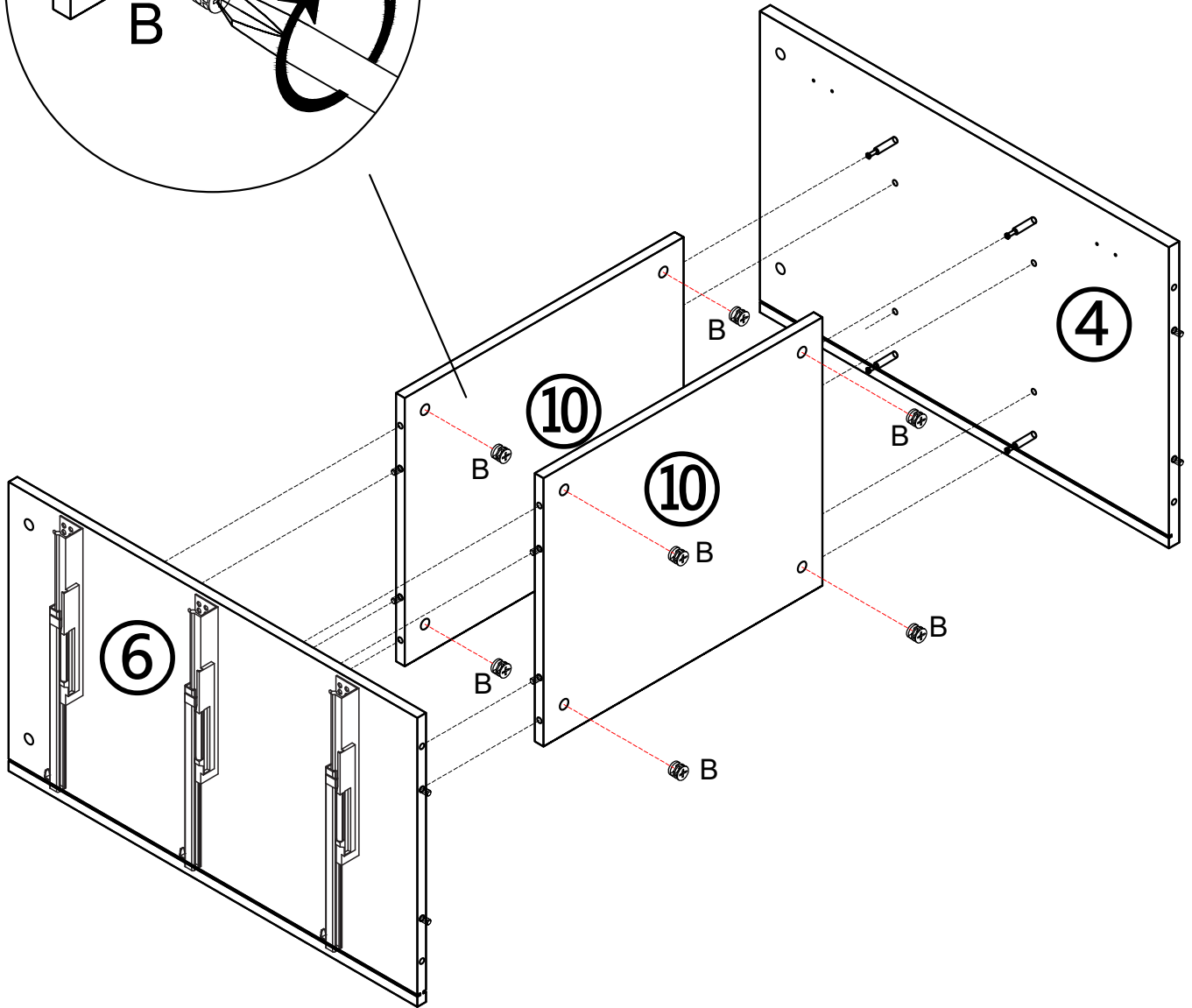
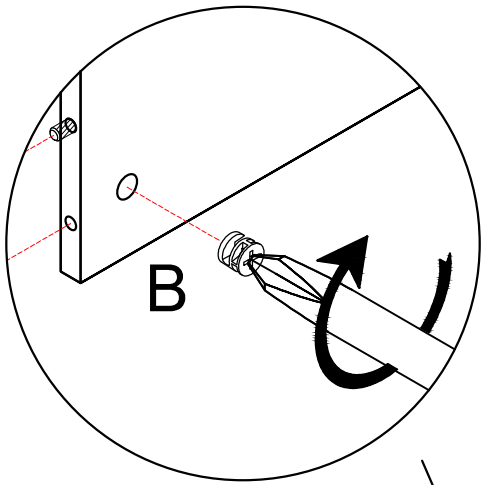
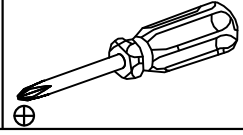
5



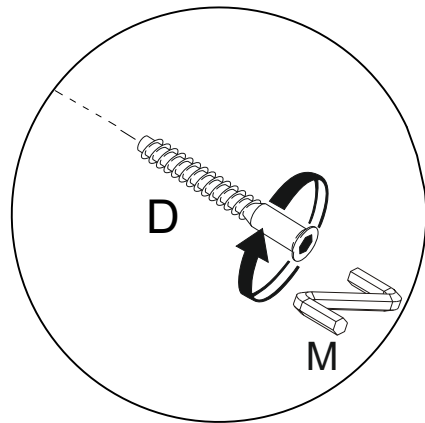
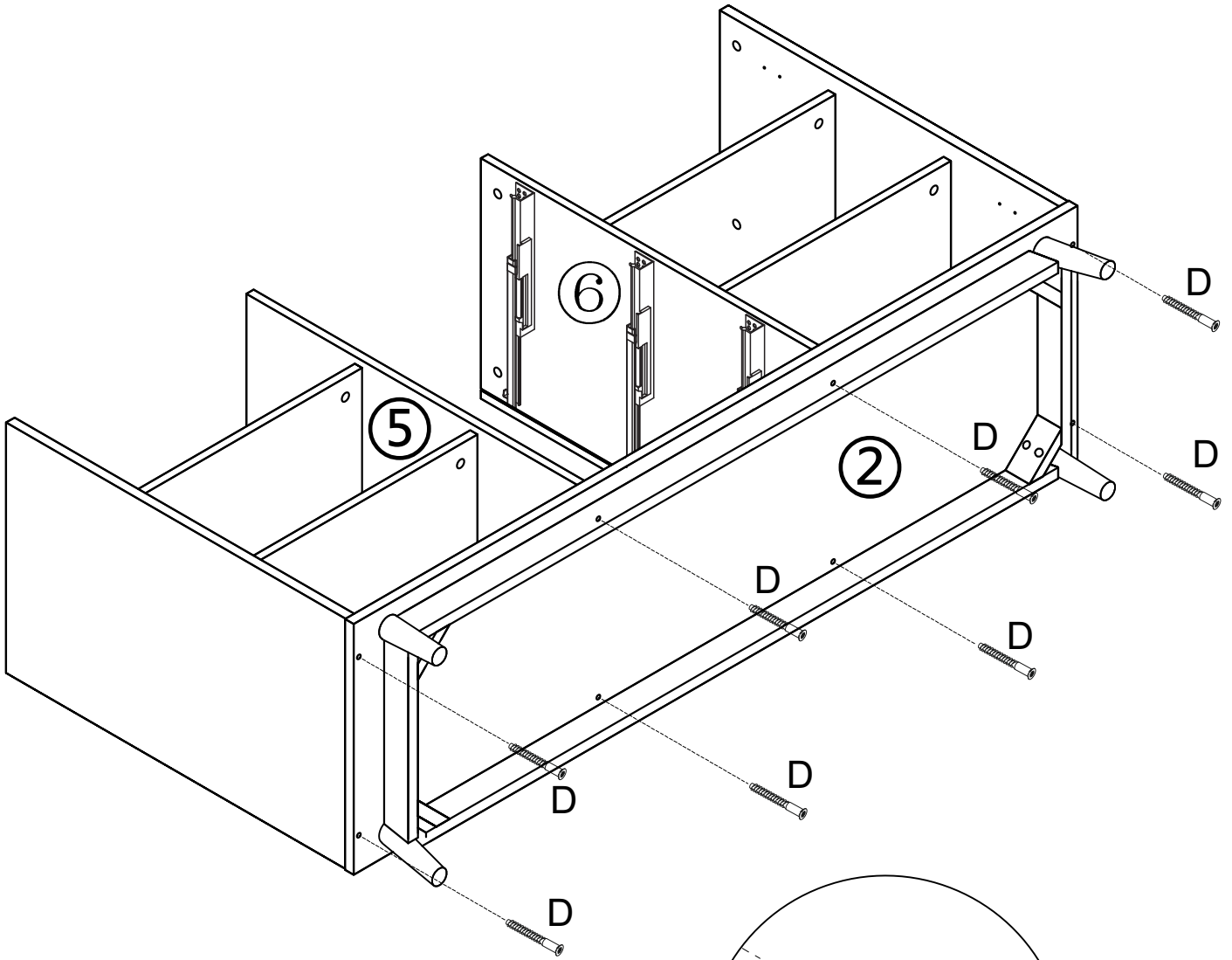
6



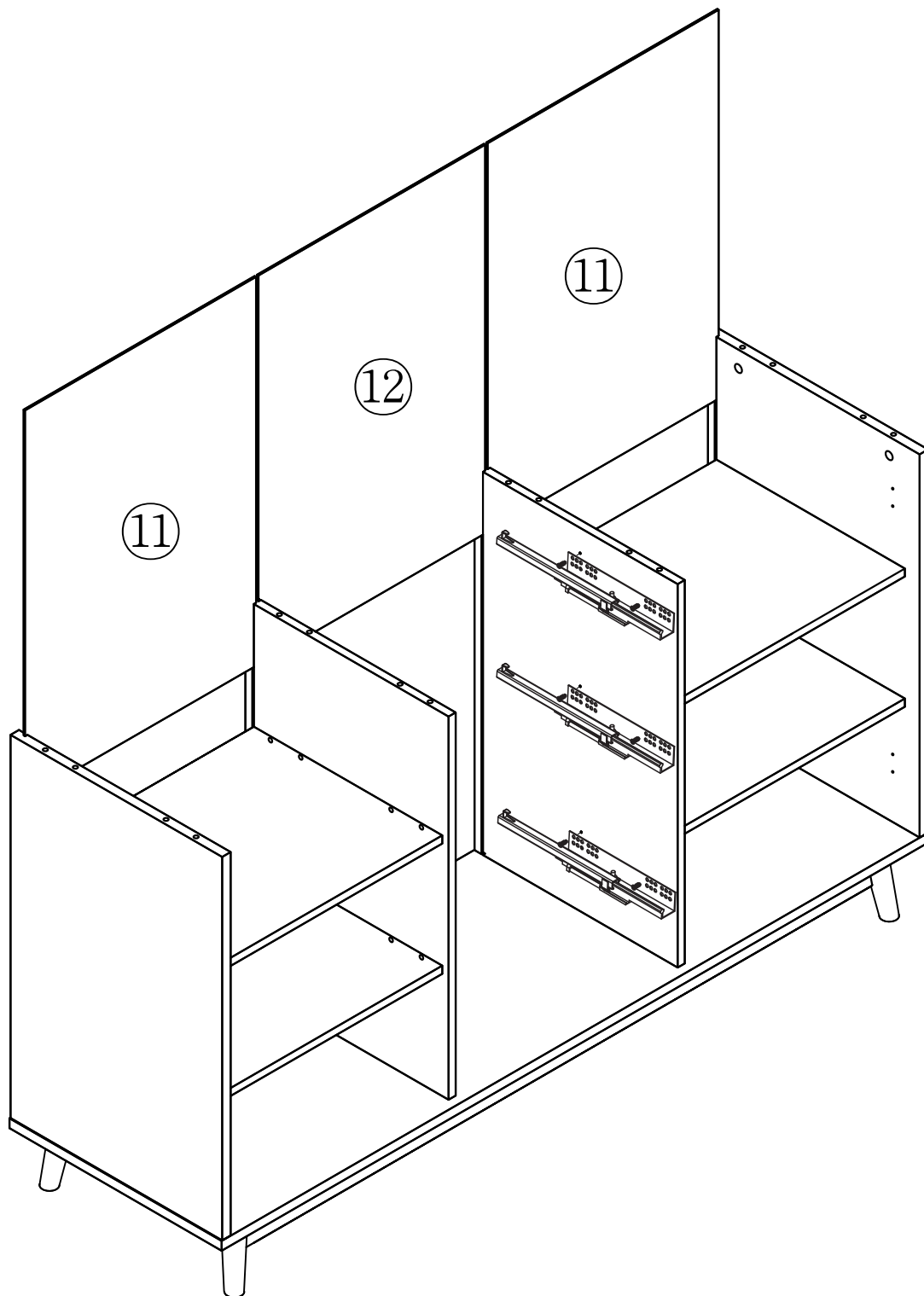
Bx8



7



8



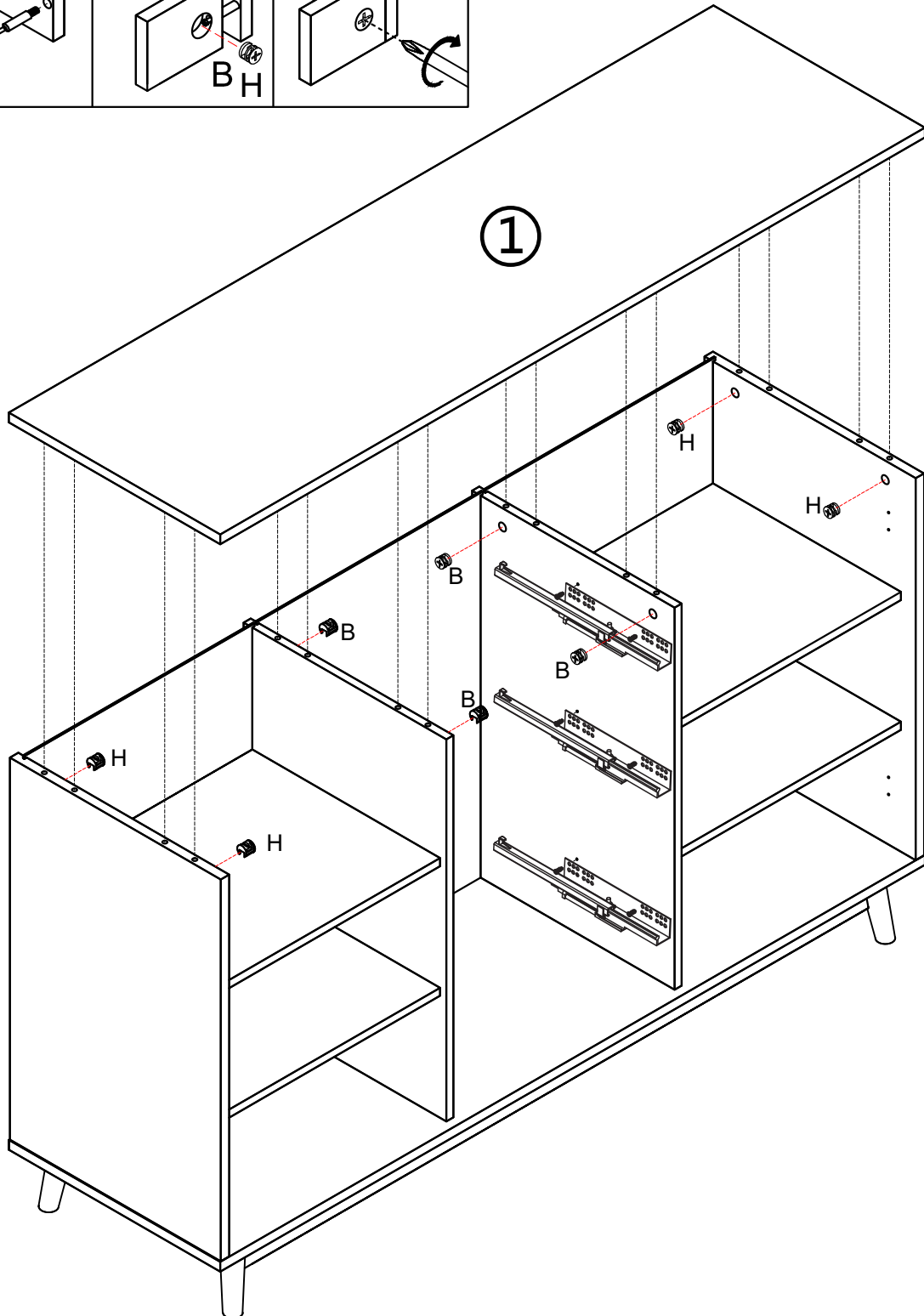
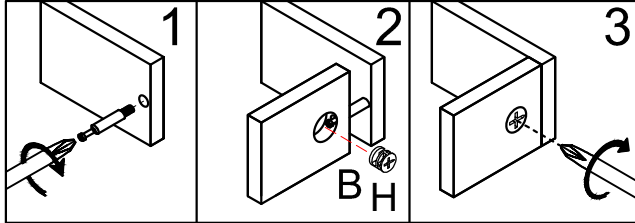
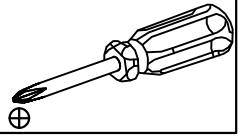
9



4xB



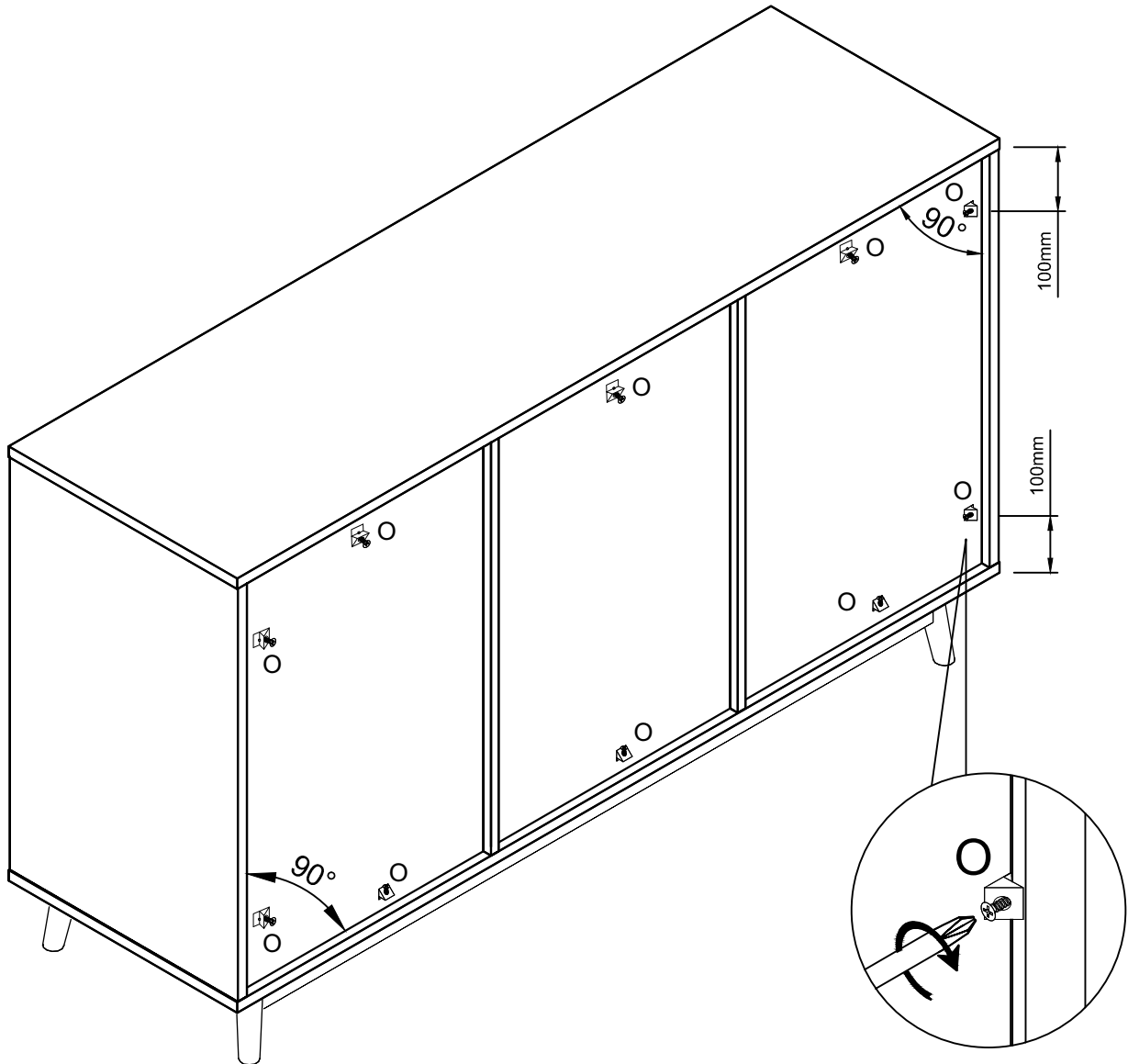
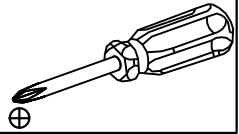
4xH



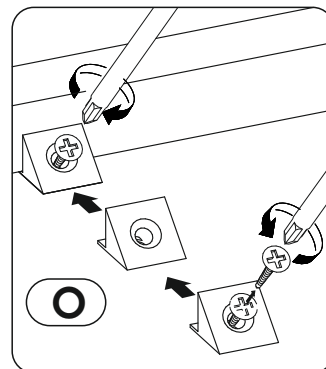
10



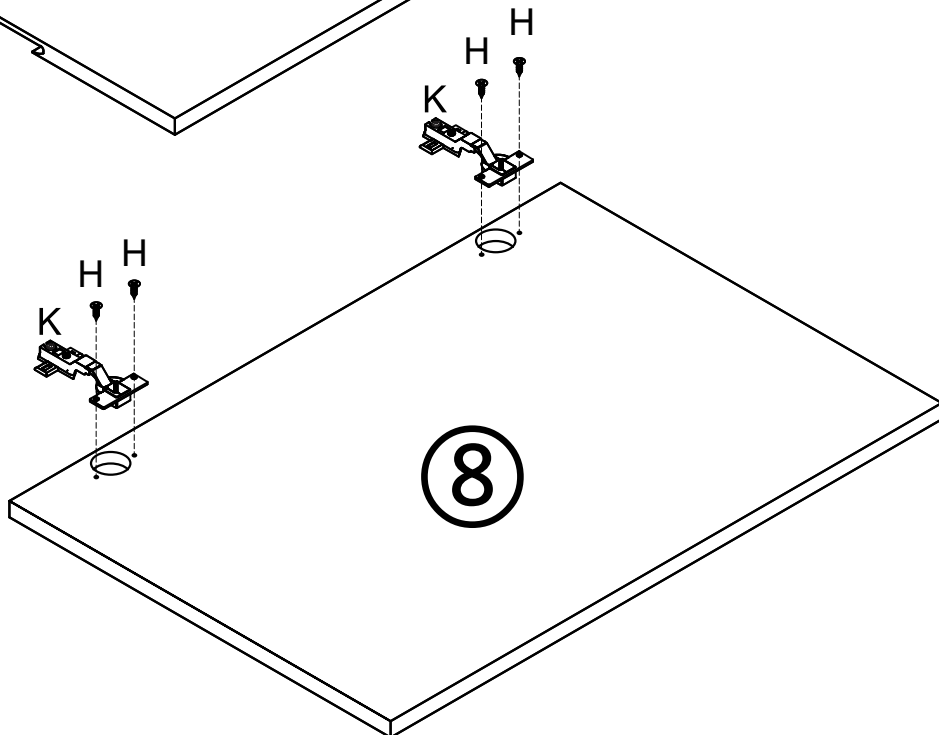
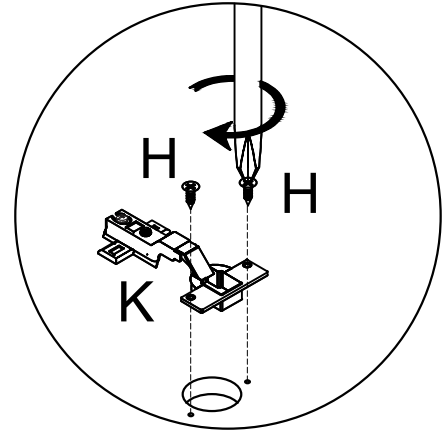
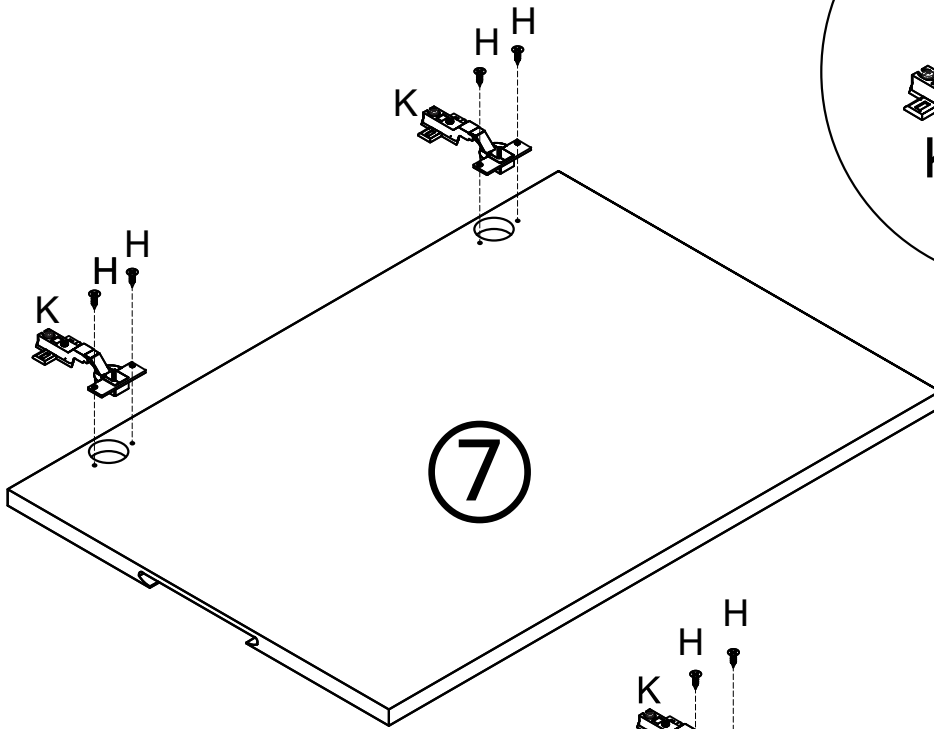
Ox10



1. Please remove the screw from the plastic cap
2. Place the plastic cap in the right position
3. Add the screw in the plastic cap and screw it through



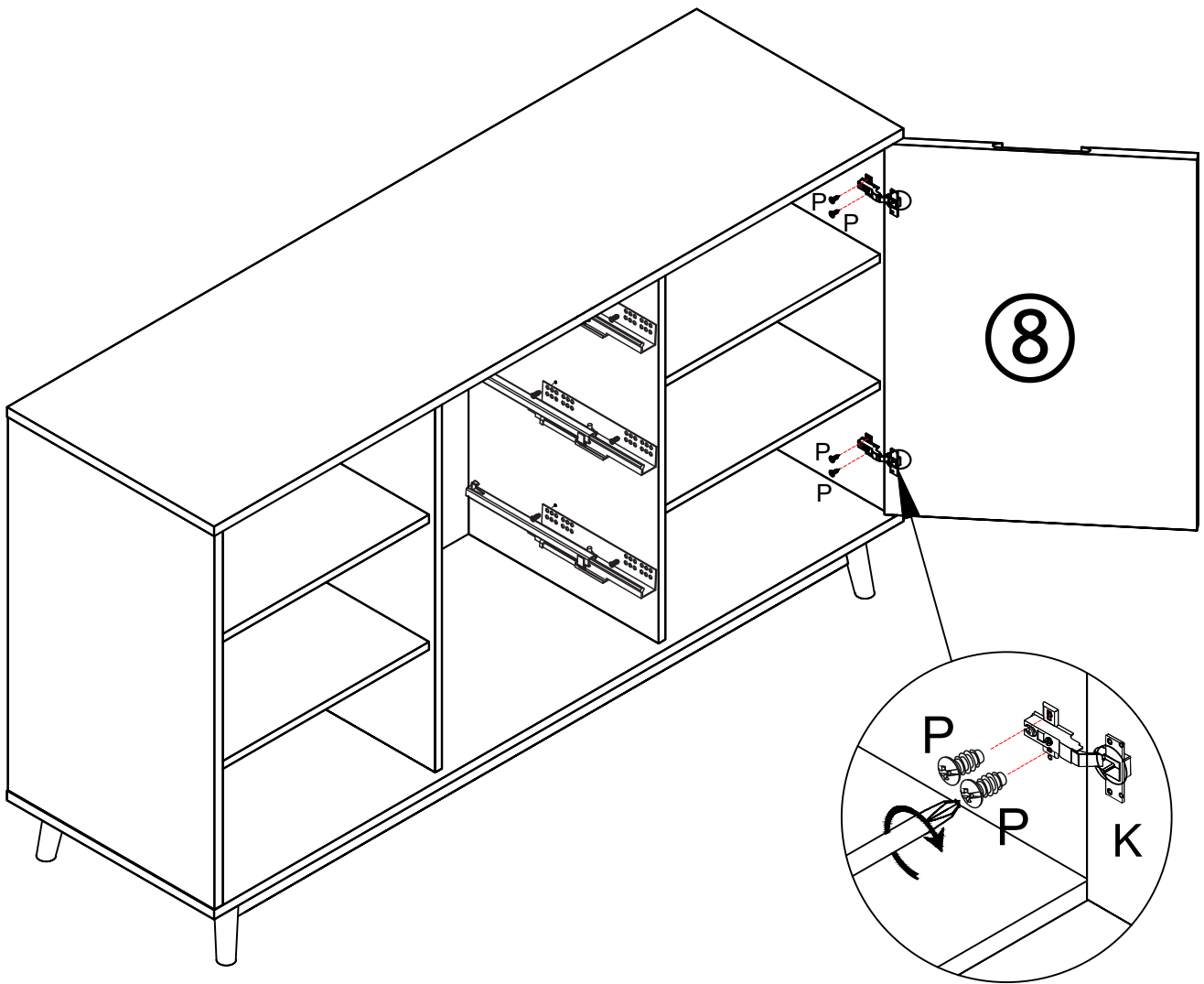
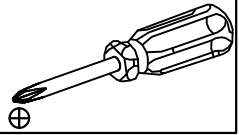
11



12



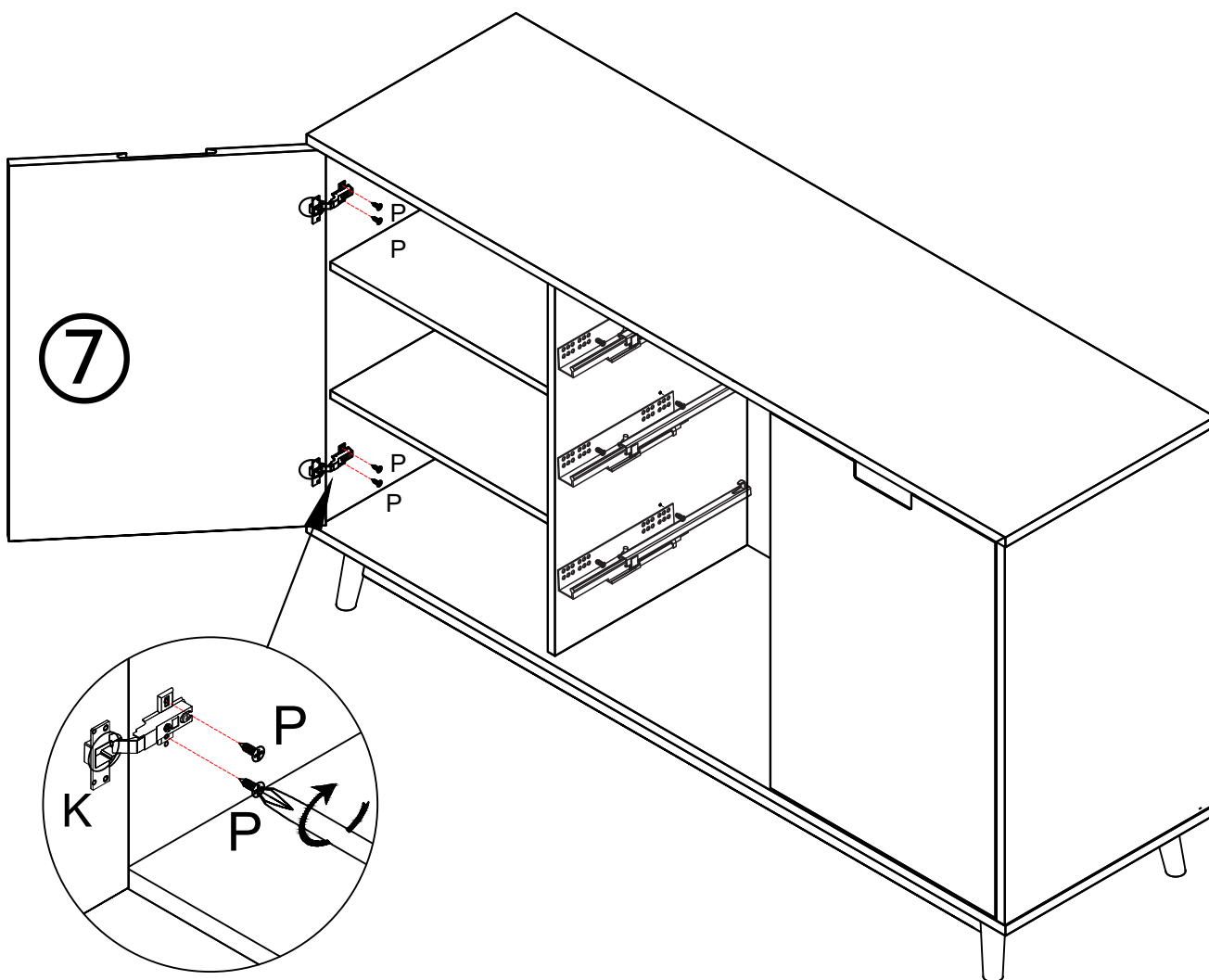
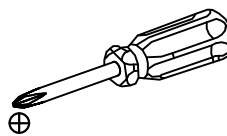
4xP



13



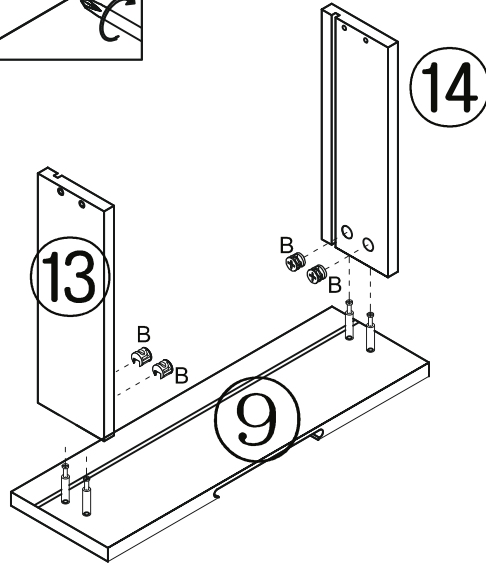
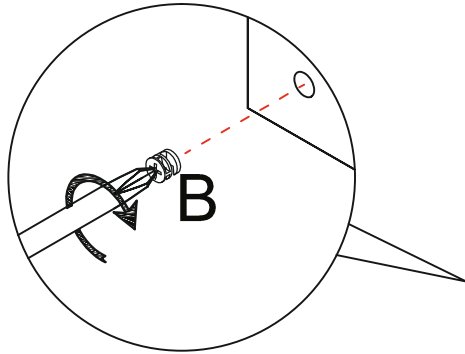
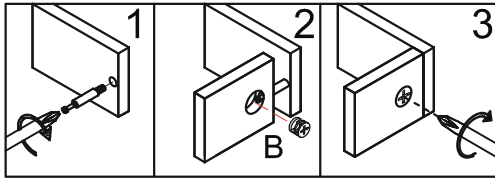
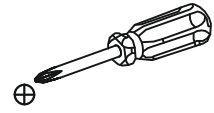
4xP



14

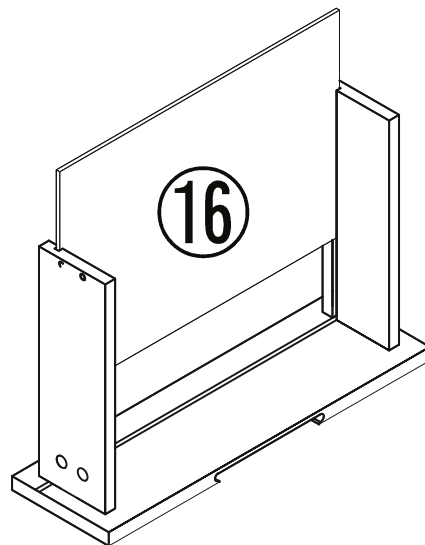


Bx12



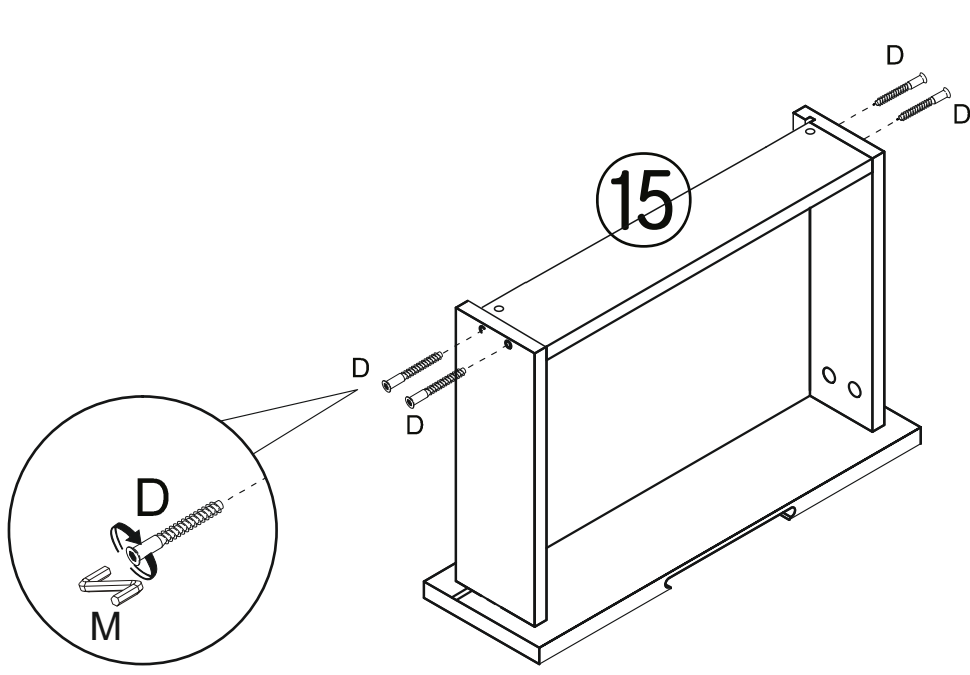
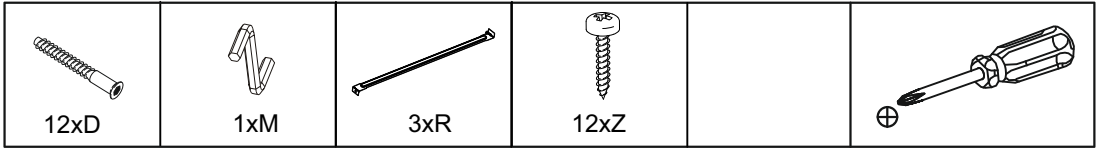
x3

16

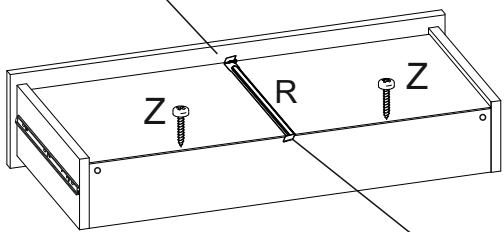
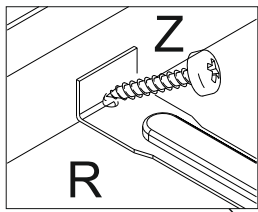


x3

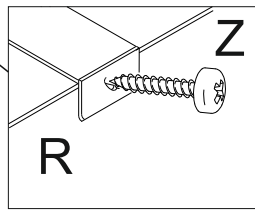
15




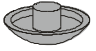


x3



x3



16

 12xS	 8xT	 32xV	 4xW		
---	--	---	--	--	--

