

workstories...

ASSEMBLY GUIDE



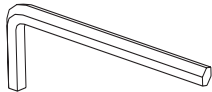

ALBION

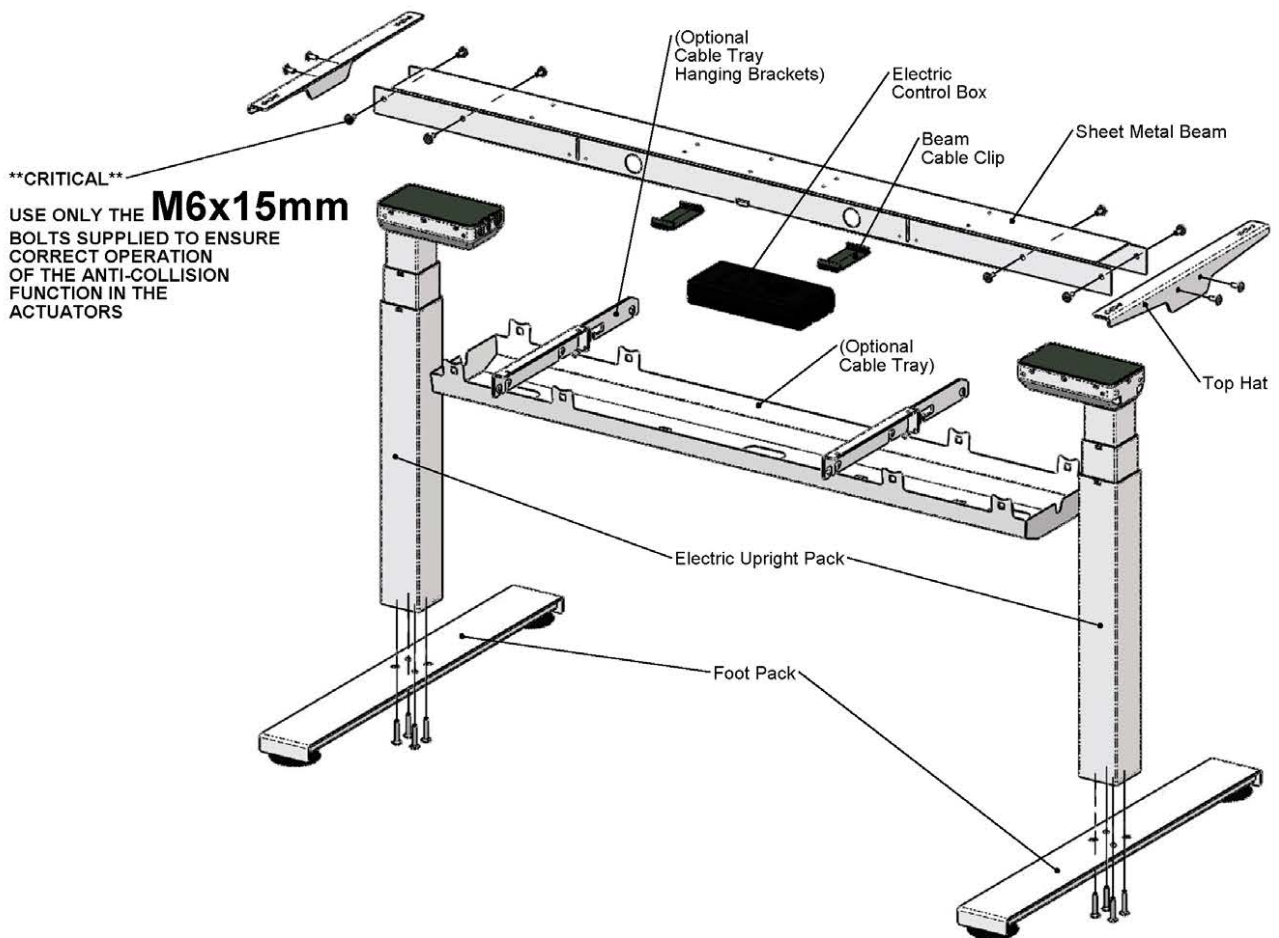
Desking

—
Sit-Stand X

Info@workstories.com
+44 (0)20 3735 5224
workstories.com

single desk

hardware	tool required
1x "desk" fitting kit per position	
	4mm allen key
	
	Pozi screw driver



ASSEMBLY PROCEDURE - LINAK ELECTRIC ACTUATOR PACK

- Fix the feet onto bottom of the actuators using bolts supplied in foot pack
- Stand the leg assemblies up and attach the sheet metal beam and top hats with M6 x 15mm bolts supplied in the fittings kit

NOTE – it is critical that only the supplied bolts are used to ensure the correct operation of the collision detection function within the actuators

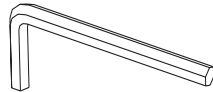
- Ensure that all bolts are tightened securely to maintain desk stability
- Offer the electric control box up into the beam at the centre point, insert and bend tab to secure
- Connect each actuator to the control box with the motor cables and insert the control switch before installing the mains power cable. Beam cable clips can be fitted to tidy up loose or hanging cables
- If fitting the optional cable tray, slot the hanging brackets into the corresponding slots and secure with screws provided in the cross rails shown
- Place the desktop onto the frame and secure with choice of bolts or screws supplied, ensuring that the desktop is also laminated to the beam with the 0.75” self-tapping screws included in the fitting kit
- Click the control switch bracket into the switch and secure to the underside of the desktop in the desired location
- On the first start-up, it is necessary to calibrate the actuators by holding the ‘down’ button on the control switch for 5 seconds after the frame reaches the bottom of its stroke

bench / actuators

hardware

1x "bench" fitting kit
per back-to-back

tool required



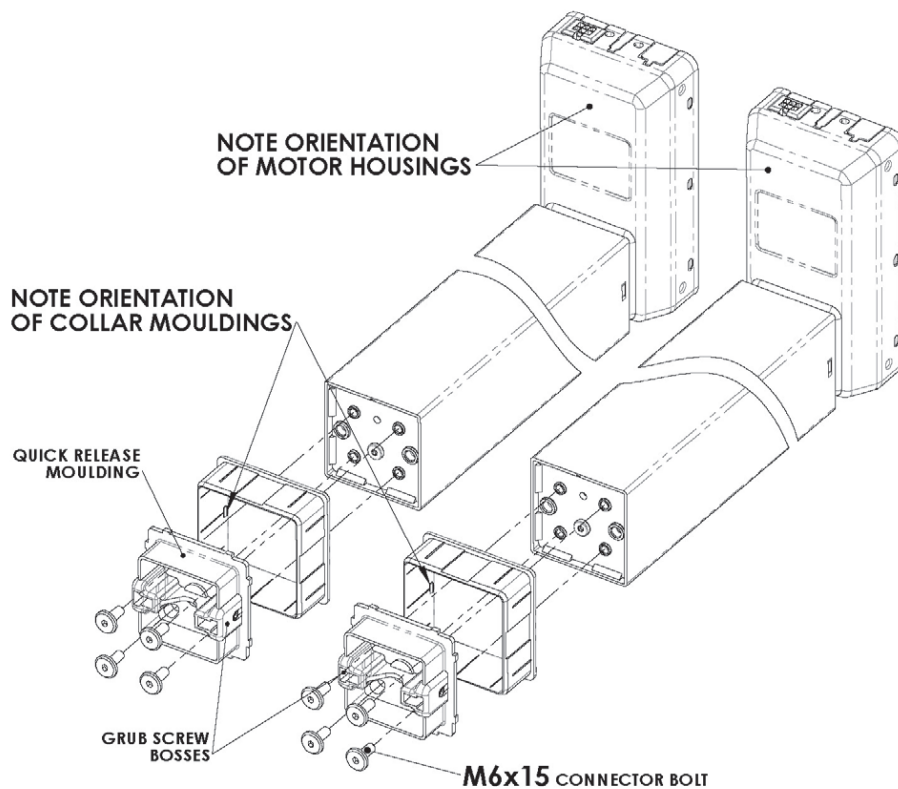
4mm & 5mm
allen key



Pozi screw driver

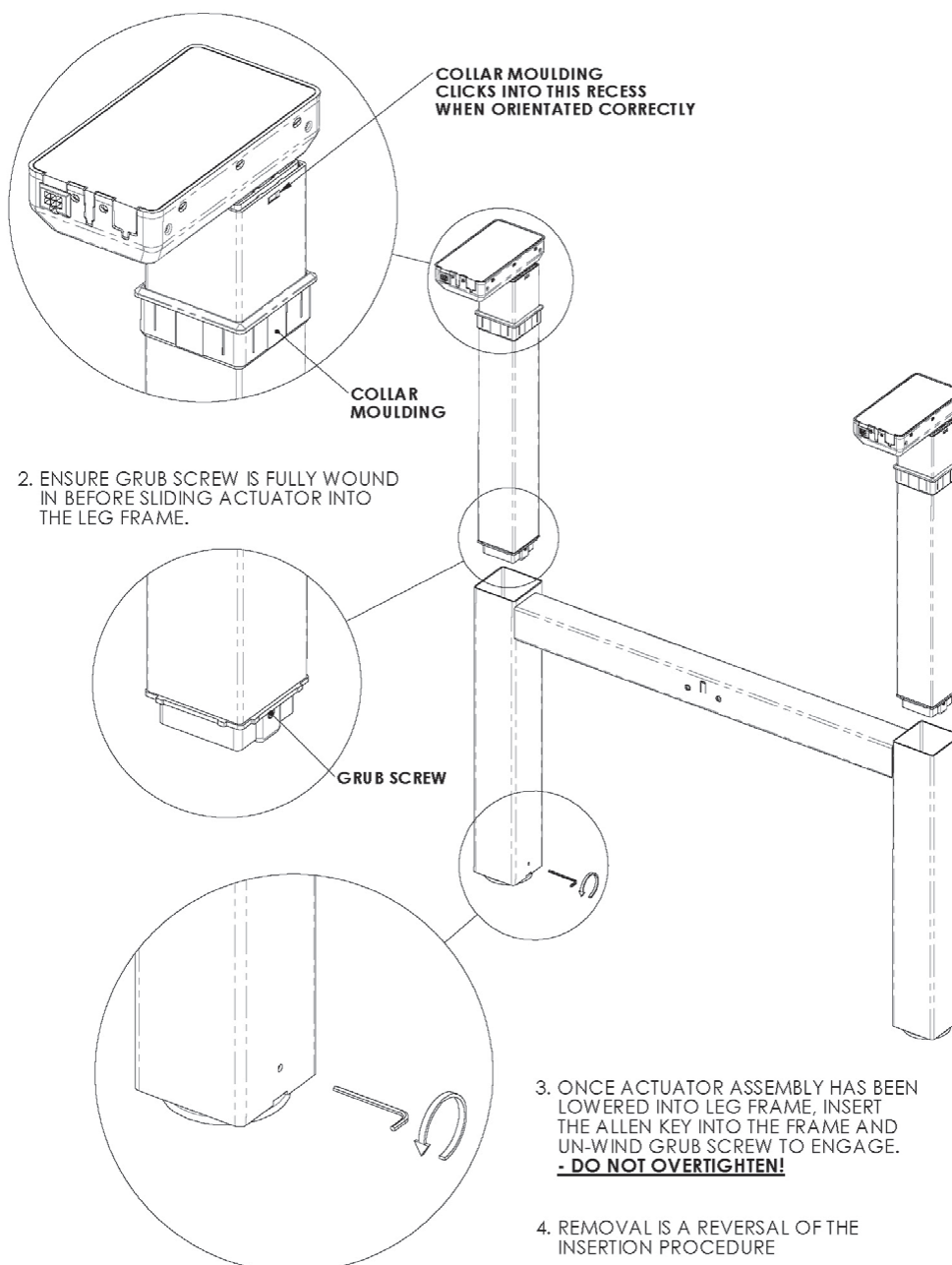
ACTUATOR SUB-ASSEMBLY PROCEDURE

- Lay the actuators down on a flat surface with the housings pointing upwards
- Slide the collar mouldings over the actuators
- Orientate the quick release mouldings so that the grub screw bosses are directed towards each other
- Fix the quick release mouldings to the bottom of the actuators as shown, using the M6 x 15 connector bolts provided

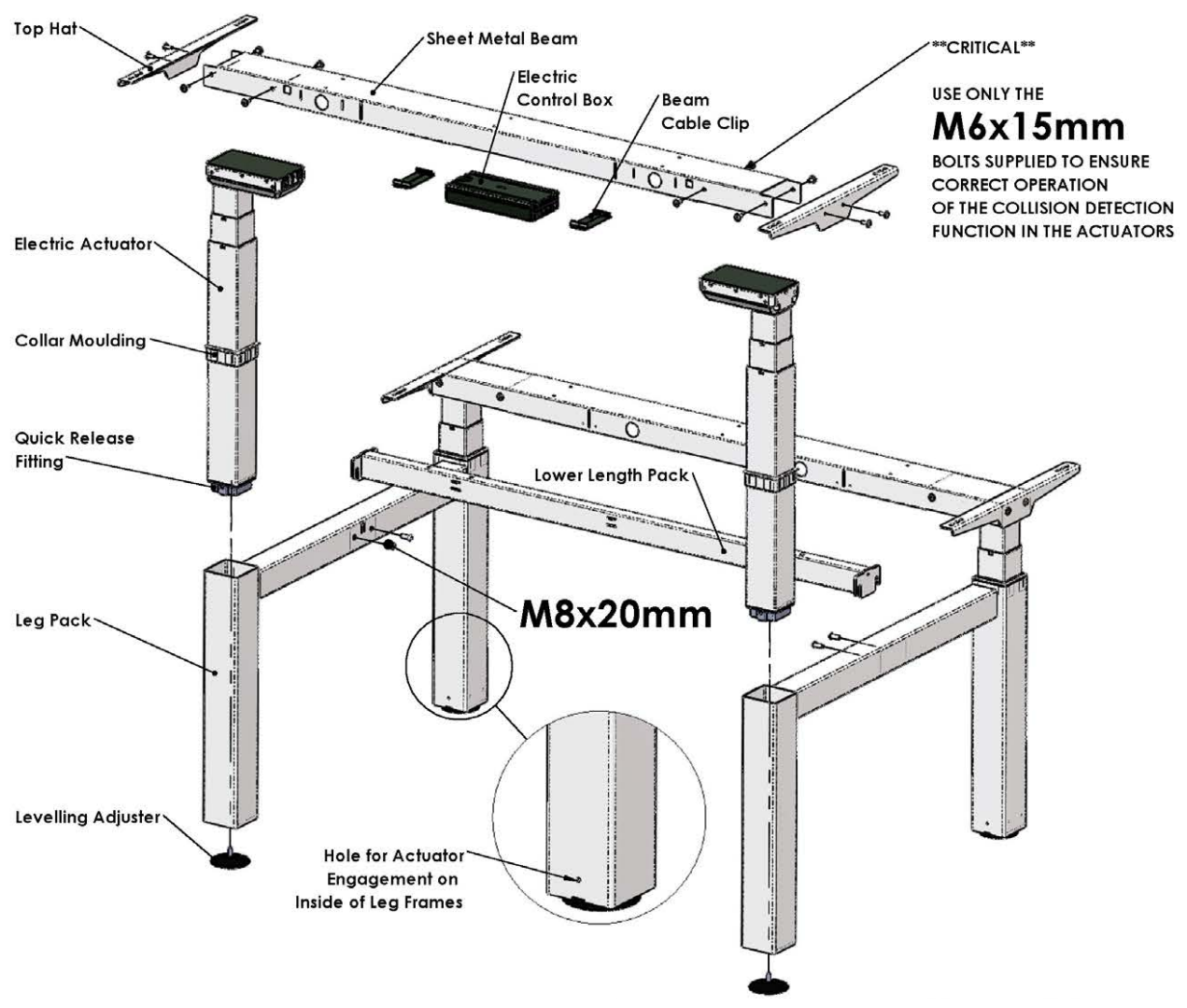


INSERTING THE ACTUATOR SUB-ASSEMBLY INTO THE LEG FRAME

- Slide the collar moulding onto actuator body before attaching the quick release moulding
- Ensure grub screw is fully wound in before sliding actuator into the leg frame
- Once actuator assembly has ben lowered into leg frame, insert the allen key into the frame and un-wind grub screw to engge – **DO NOT OVERTIGHTEN**
- Removal is a reversal of the insertion procedure



bench



LOWER STRUCTURE

- Insert levelling adjusters into bottom of each leg frame
- Stand leg frames up and connect the lower length pack to inside of each leg frame with M8 x 20 bolts
- Move the assembly into its final position and level as necessary using the levelling adjusters

ACTUATORS

- The actuator sub-assemblies should be constructed following the separate instructions contained within the actuator pack
- Slide the actuator assemblies into the legs, with the motor housings pointing towards the centre of the desk
- Slide the collar mouldings down the actuators until they are fully engaged into the top of the leg frame
- Insert the 3mm allen key into the hole at the bottom of the leg, and undo the grub screw to engage

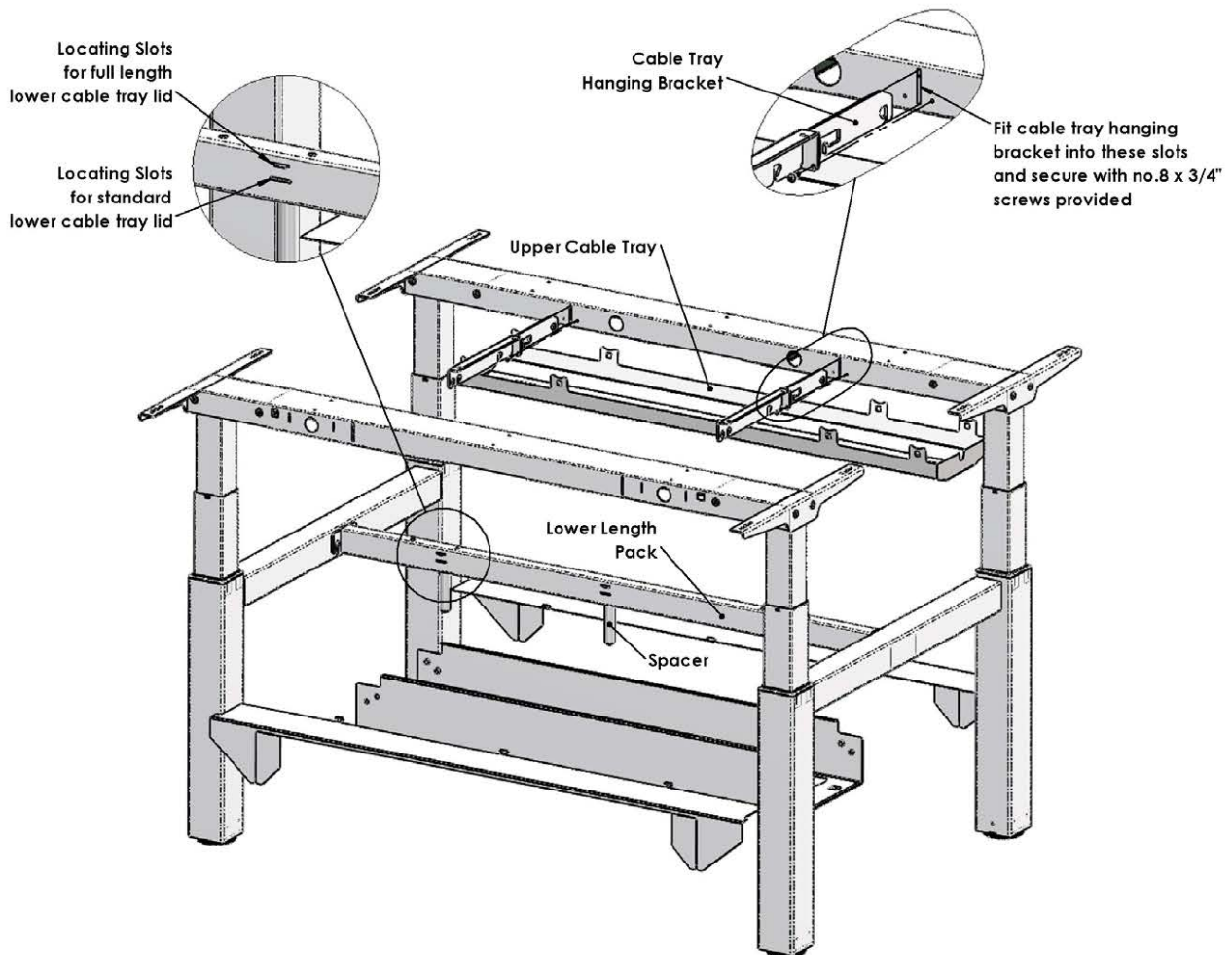
UPPER STRUCTURE

- Attach the sheet metal beam and top hats to the top of the actuators with M6 x 15mm bolts supplied

NOTE – it is critical that only the supplied bolts are used to ensure the correct operation of the collision detection function within the actuators

- Ensure that all bolts are tightened securely to maintain desk stability
- Offer the electric control box up into the beam at the centre point, insert and slide along
- Connect each actuator to the control box with the motor cables and insert into the control switch before installing the mains power cable. Beam cable clips can be fitted to tidy up loose or hanging cables
- Place the desktop onto the frame and secure with choice of bolts or screws supplied, ensuring that the desktop is also laminated to the beam with the 0.75" self-tapping screws included in the fitting kit
- Click the control switch bracket into the switch and secure to the underside of the desktop in the desired location
- On first start-up it is necessary to calibrate the actuators by holding the "down" button on the control switch for 5 seconds after the frame reaches the bottom of its stroke

cable trays (optional)



UPPER CABLE TRAY

- Slot cable tray hanging brackets into corresponding slots in sheet metal beam as shown, depending on the thickness of coating you may need to gently locate home with a soft or rubber mallet. Secure in place with no.8 x 3/4" screws supplies
- Locate cable tray by hooking onto cable tray bracket, note the cable tray can be hung in the centre or at the back

LOWER CABLE TRAY

- Place spacers over m8 x 100 bolts, loosely tighten bolts and spacers in holes in lower length pack, fit lower cable tray using keyhole slots in the bottom face
- Fit Lower cable tray covers into slots in the lower length pack and hinge down to rest on lower cable tray
- The full-length tray covers have a snap off section to allow cable chains to be fitted at either end. Simply remove the snap off section to reveal the threaded inserts in the main tray section, to which the optional chains can be fitted



SHOWROOM

Parchment House
13 Northburgh Street
London EC1V 0JP

CONTACT

Info@workstories.com
020 3735 5224

workstories.com