

HAND-OPERATED PUMPS FOR OIL AND GREASE

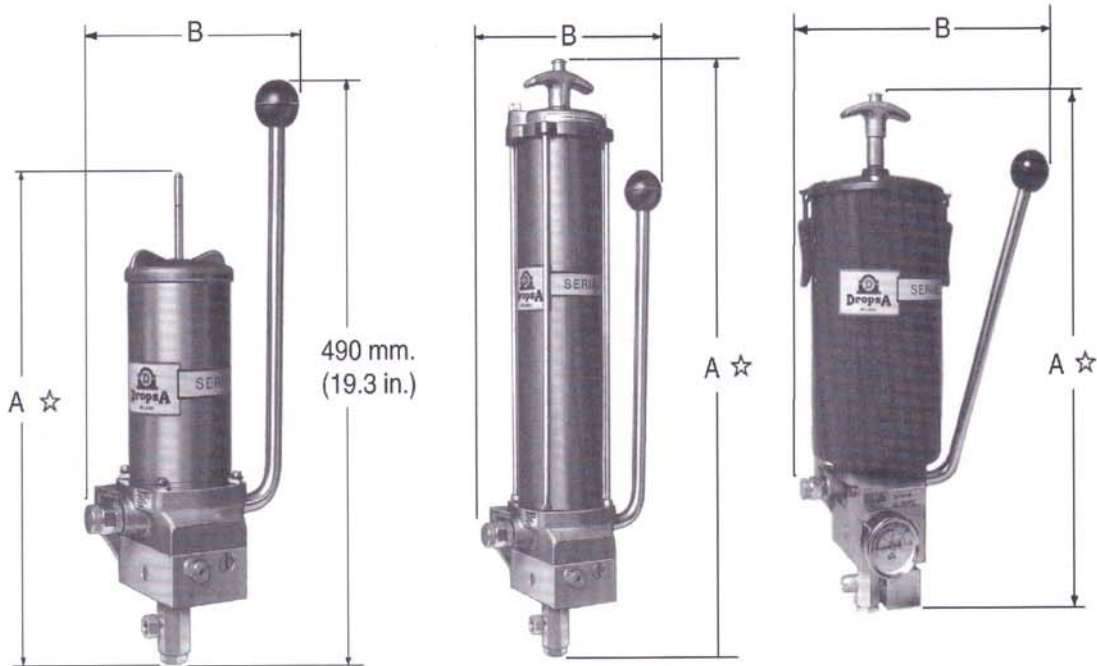
DOUBLE ACTING PISTON PUMPS

Pumps of sturdy construction for heavy duty; steel body, hardened and lapped double acting steel piston, with pressure gauge and by-pass valve.

The version for grease is complete with follower plate, with or without spring and re-filling valve. The level indicating rod is hooked to the follower plate, therefore the height dimensions change from minimum (empty reservoir) to maximum (full reservoir).

TECHNICAL INFORMATION:

Max. pressure:	Grease pumps 15 MPa (150 bar) (2175 psi.) Oil pumps 13 MPa (130 bar) (1885 psi.)
Delivery:	3,4 cc. (.20 cu.in.) for each back and forth movement of the operating lever.
Gauge:	Scale; 0 to 25 MPa (0 to 250 bar) (0 to 3625 psi.)
Lubricant outlet:	G 1/4 UNI-ISO 228/1
Re-filling valve:	G 1/2A UNI-ISO 228/1



3415011

3415013

3415008
3415020

Part No.	Reservoir	Lubricant	Height 'A' mm. (in.)	Width 'B' mm. (in.)	Depth mm. (in.)	Weight kg. (lb..)	Characteristics
3415008	kg. (11 lb..)	NLGI 1	550/800*(21.6/31.5)	275 (10.8)	285 (11.2)	12 (26.4)	reservoir with follower plate.
3415020	kg. (11 lb..)	NLGI 0	550/800*(21.6/31.5)	275 (10.8)	285 (11.2)	11,5 (25.4)	special follower plate for light grease.
3415013	kg. (4.4 lb..)	NLGI 2	600/910*(23.6/35.8)	218 (8.6)	285 (11.2)	8,6 (19.0)	reservoir with follower plate and spring.
3415011	kg. (2.2 lb..)	NLGI 1	405/530*(15.9/20.9)	205 (8.0)	285 (11.2)	6,2 (13.7)	reservoir with follower plate
3415012	kg. (2.2 lb..)	NLGI 2	405/530*(15.9/20.9)	218 (8.6)	285 (11.2)	6,5 (14.3)	reservoir with follower plate and spring
3416005	5 Lt.. (10.6 pints)	OIL	452 (17.6)	262 (10.2)	285 (11.2)	7,8 (17.2)	with visual indicator
3416006	2 Lt.. (4.2 pints)	OIL	487 (19.0)	205 (8.0)	285 (11.2)	6 (13.2)	with visual indicator
3416009	1 Lt.. (2.1 pints)	OIL	352 (13.7)	205 (8.0)	285 (11.2)	5,8 (12.8)	without visual indicator

* The two heights refer to the empty/full reservoir.

HAND-OPERATED PUMPS FOR OIL AND GREASE

SINGLE-STROKE PUMPS WITH OSCILLATING HANDLE

Pumps of sturdy construction for heavy duty: Cast iron body, hardened and lapped steel piston and reservoir in die cast light alloy.

Pressure indicator set at 10 MPa (100 bar) (1450 psi.) and check valve.

The version for grease is complete with follower plate and level indicating rod: the one for oil is complete with visual indicator and re-filling filter.



TECHNICAL INFORMATION:

Max. pressure: 10 MPa (100 bar) (1450 psi.)

Delivery per stroke: 1 cm³ (.06 cu.in.)

lubricant outlet: G 1/4 UNI-ISO 228/1

Part No.	Reservoir	Lubricant	Height mm. (in.)	Width mm. (in.)	Depth mm. (in.)	Weight kg. (lb.)
128075	kg. (2.2lb.)	NLGI 00	360/425*(14/16.7)	260 (10.1)	110 (4.33)	3,2 (7)
128505	1 Lt.. (11 pints)	OIL	360 (14)	260 (10.1)	110 (4.33)	3 (6.6)

SINGLE STROKE PUMPS

Pumps of sturdy construction with small dimensions and die cast light alloy reservoir. The version for grease is complete with follower plate and level indicating rod; the one for oil with re-filling filter.

TECHNICAL INFORMATION:

Max. pressure: 7 MPa (70 bar) 1015 psi.)

Delivery per stroke: 7,5 cm³ (.45 cu.in.)

Lubricant outlet: M10x1

Part No.	Reservoir	Lubricant	Height mm. (in.)	Width mm. (in.)	Depth mm. (in.)	Weight kg. (lb.)
3105024	0,8kg. (1.7lb.)	NLGI 00	340/350*(13.39/13.78)	120 (4.72)	138 (5.43)	2,2 (4.8)
3105023	0,8Lt.. (1.7 pints)	OIL	340 (13.39)	120 (4.72)	138 (5.43)	2 (4.4)



3105024

* The two heights refer to the empty/full reservoir.

SINGLE STROKE PUMPS

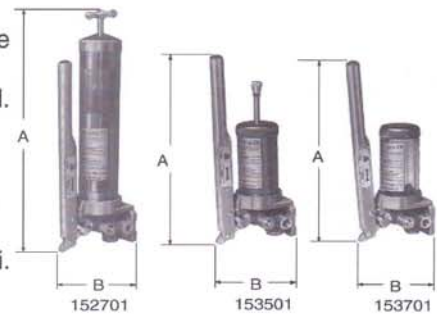
Pump of sturdy construction for heavy duty.

Special light alloy die-cast body with hardened ground and lapped piston.

They are equipped with by-pass valve, pin pressure indicator, check valve and delivery filter.

The version for grease is complete with follower plate and level indicating rod.

Re-filling valve (for pump code 152701 only)



TECHNICAL INFORMATION:

Max. pressure: adjustable up to 12,5 MPa (125 bar) (1812 psi.)

Delivery per stroke: 1,7 cm³ (.10 cu.in.)

Lubricant outlet: Rp 1/4 UNI-ISO 7/1

Part No.	Reservoir	Lubricant	Height 'A' mm. (in.)	Width 'B' mm. (in.)	Depth mm. (in.)	Weight kg. (lb.)	Characteristics
152701	0,340 kg. (0.749 lb.)	NLGI 2	450/550*(17.7/21.6)	82 (3.23)	142 (5.6)	2 (4.4)	reservoir with follower plate and spring
153501	0,300 kg. (0.661 lb.)	NLGI 0	290/330*(11.4/13.0)	82 (3.23)	142 (5.6)	1,8 (4.0)	reservoir with follower plate.
153701	0,27 Lt.. (0.57 pints)	OIL	300 (11.7)	82 (3.23)	142 (5.6)	1,7 (3.7)	transparent reservoir.



HAND-OPERATED PUMPS FOR GREASE

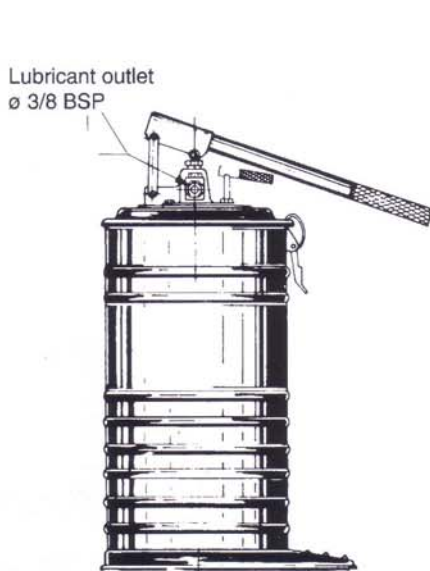
HIGH PRESSURE SINGLE STROKE PUMPS

These hand pumps of sturdy construction and long life are used for the direct lubrication on the lube point. A driven hand valve allows the pressure release into the supply tube and interrupts the lubricant flow when the handle is put at rest.

These pumps complete with follower plate and filter at the outlet (filter code 1113210), are also available mounted on a trolley for easy transportation to the lubrication points.

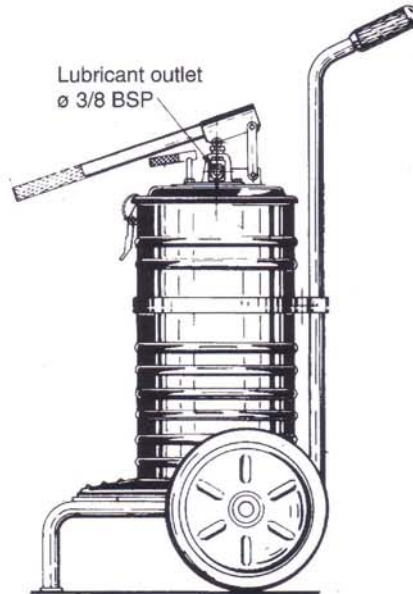
TECHNICAL INFORMATION:

Max. pressure: 35 MPa (350 bar) (5075 psi)
Delivery per stroke: 4,5 cm³ (.27 cu.in.)
Lubricant outlet: Rp 3/8 UNI-ISO 7/1



133000

133000

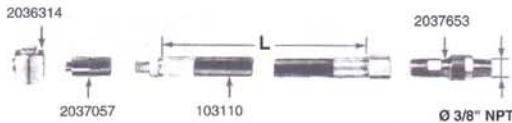


254800

254800

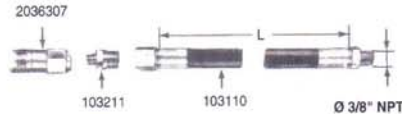
Part No.	Reservoir Lt.. (pints)	Lubricant	Height mm. (in.)	Width mm. (in.)	ø mm. (in.)	Weight kg. (lb..)	Characteristics
133000	12 (26.5)	NLGI 1	610 (24.0)	330 (13)	230 (9.1)	10 (22)	Trolley pump
254800	12 (26.5)	NLGI 1	1065 (41.9)	330 (13)	230 (9.1)	28 (61.7)	Trolley code 114000

ACCESSORIES (to be ordered separately).



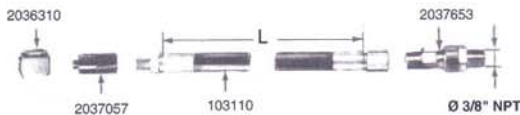
Assy. code 101835

Flex ø 10x22 with connector for button head nipple. Standard type.



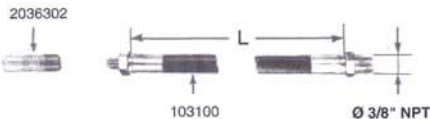
Assy. code 101820

Flex ø 10x22 with hydraulic connector for re-filling.



Assy. code 101840

Flex ø 10x22 with connector for button head nipple. Giant type



Assy. code 101831

Flex ø 6x16 with hydraulic connector for re-filling

Note: To order a hose the length (overall length) in cm. must be added to the hose code.

TRANSFER AND FILLING PUMPS

Pumps are supplied with filter:

(grease, **Part No. 1113220**; oil, **Part No. 1113250**). Filter outlet 1/2" BSPF (1/2" NPTF). Flex, **Part No. 101775**, thread \varnothing 1/2" BSP (1/2" NPT) taper m. solid and 1/2" BSPF (1/2" NPTF) swivel (when specifying indicate flex length 'L' in cm.)

WITH TROLLEY for 12kg. (26.4 lb..) drums.

Height: 1110 mm. (43.2 in.)

Width: 800 mm. (31.2 in.)

Weight: 19 kg. (41.8 lb..)

PORTABLE

Height: 600 mm. (23.4 in.)

Width: 330 mm. (12.8 in.)

o.d. 230 mm. (8.9 in.)

Weight: kg. (19.8 lb..)



132055 = grease
132056 = oil



132000 = grease
132054 = oil

Piston pump equipped with suction hose. Discharge .050 kg. (.11 lb..) of lubricant per stroke with a back pressure of 35 bar (500 psi.) A manual built-in pressure release valve permits return of handle to down position without discharging lubricant. Can be used for transferring alcohol, asphalt emulsions, fuel, cleaning solvents, fuel oil, benzine, lacquer thinner, vegetable oils and many other non corrosive, non abrasive, materials.

Pumps are supplied without filter.

Lubricant outlet: 3/8" BSPF (3/8" NPTF)



132530
132540
132550
grease - oil

132630
grease - oil
for 200kg
(44lbs)
tanks

132057
Complete with
follower plate and
cover for 20kg
(44lbs) tanks.

For drums		Pump Part No.	Cover Part No.	Follower plate (grease only) Part No.	Piston rod	
kg.	lb..				mm.	in.
220	440	132630	1141500	1141103	925	36.0
115	253	132530	1141530	1141130	690	26.9
56	123	132540	1141520	1141131	515	20.8
20	44	132550	1141545	1141140	375	14.6

ACCESSORIES AND SPARE PARTS

Charging valve:

Part No. 132160

Directly connected to the outlet pump.

Nipple for pump-filter joint:

Part No. 133085

Grease strainer:

Part No. 1113210

thread \varnothing 3/8" BSP (3/8" NPT) taper.

Element: **Part No. 1113205**

Oil strainer:

Part No. 1113240

thread \varnothing 3/8" BSP (3/8" NPT) taper.

Element **Part No. 1113231**



\varnothing 3/8" BSP (3/8" NPT) taper. Hose with oil



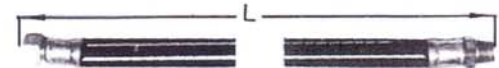
transfer valve **Part No. 101777** - \varnothing tube 13x23.

\varnothing 3/8" BSP (3/8" NPT) taper. Hose without oil



transfer valve **Part No. 101778** - \varnothing tube 13x23.

\varnothing 1/2" BSP (1/2" NPT) \varnothing 3/8" BSP (3/8" NPT)



taper. Refilling pump hose:

Part No. 101779 \varnothing tube 13x23

When specifying indicate flex length 'L' in cm.

Truck for 12kg. (26.4 lb..) drums: **Part No. 1140000**

Truck for 20 kg. (44 lb..) drums **Part No. 1140200**

Height: 1110 mm. (43.2 in.)

