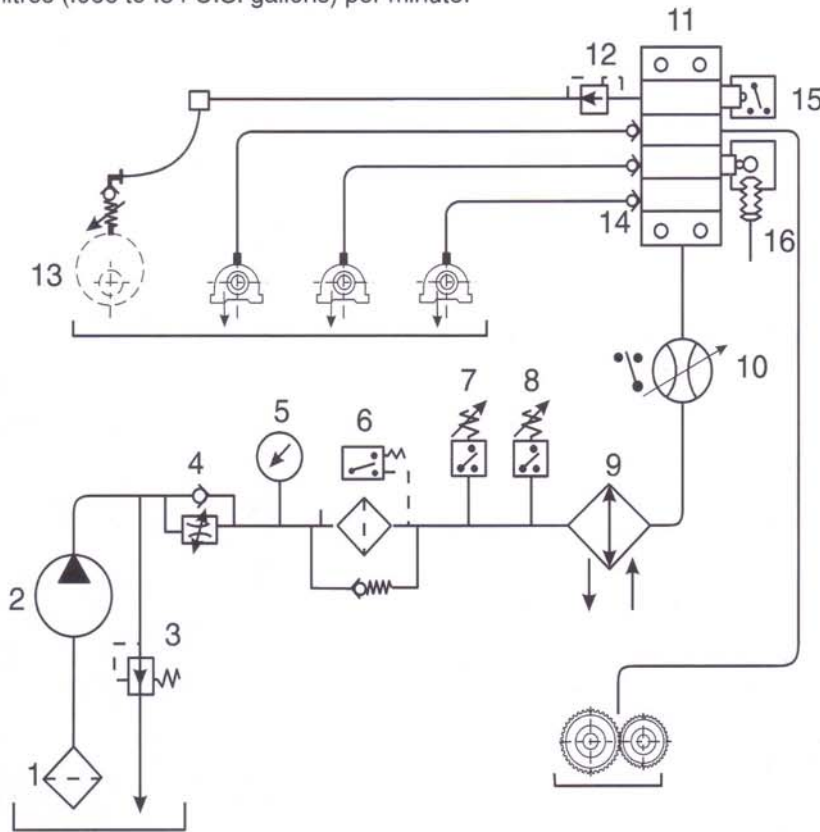


RECIRCULATING SYSTEMS

Progressive distributor assemblies can be utilised to produce oil recirculating lubrication systems. By suitably selecting the type of gear pump it is possible to build systems with working pressures from 20 to 150 bar (290 to 2150 psi.) and deliveries from 0,25 litres (.066 to .34 U.S. gallons) per minute.

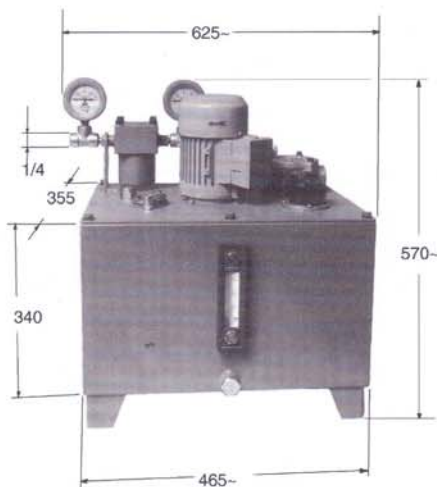


- 1 - Suction filter
- 2 - Motorised pump
- 3 - Max. pressure valve
- 4 - Flow regulator
- 5 - Pressure gauge
- 6 - Filter with electric blockage indicator
- 7 - Min. pressure switch
- 8 - Max. pressure switch
- 9 - Heat exchanger
- 10 - Flow indicator with electric contacts

- 11 - Serial metering block
- 12 - Control valve
- 13 - Adjustable check-valve
- 14 - Check-valve
- 15 - Electro-mechanical switch to check movement of the metering element piston.
- 16 - Piston movement control - Proximity switch - Electro-mechanical switch - Proximity switch control - Electronic control.

STANDARD MOTORISED PUMPS

Max. pressure 10MPa (100 bar) (1450 psi.) - adjustable to 7MPa (70 bar) (1000 psi.) - electric low level switch.



Part No.	Delivery		Motor power kW	Reservoir capacity		Weight	
	cc.	cu.in.		Lt.	pints	kg.	lb.
3408011	250	15.2	.185	-	-	22	48.4
3408012	250	15.2	.185	30	63.4	33	72.6
3408005	500	30.5	.185	-	-	22	48.4
3408004	500	30.5	.185	30	63.4	33	72.6
3408022	1000	61.0	.37	-	-	22	48.4
3408021	1000	61.0	.37	30	63.4	33	72.6

HIGH PRESSURE FILTERS

Available for any delivery with or without electric blockage indicator.



Part No.	Filter Type	Filtering degree		Delivery		Filtering element	
		micron	micro in.	Lt.	pints	Part No.	Type
1522715	FMD 40B M125 N A G VE	125	.0050	90	190.2	1522990	M1 M125 N A
1522420	FMD 40B M60 N A G VE	60	.0024	55	116.2	1522991	M1 M60 N A
1522192	FMD 40B M25 N A G VE	25	.0010	45	95.1	1522992	M1 M25 N A

FLOW CONTROL SWITCH

Indicates the flow of lubricant. A valve adjusts the sensitivity - flow capacity from 0,25 to 10 litres/min. (.52 to 21.1 pints/min.). Change over contact.



Max. current:

N.O. contact
200 mA DC - 500 mA AC

N.C. contact
100 mA DC - 250 mA AC

Indicators for larger deliveries are available.
Part No. 3295010

HEAT EXCHANGERS

Heat exchangers for delivery, return or recycling are available when it is necessary to reduce the temperature of the lubricant. Suitable for fresh and salt water.



Part No.	No. of passages	Delivery oil Lt./hr.		Exchanging range		Water
		Lt.	pints	mm.	in.	
1521275	2	300	634.0	260	10.1	salt
1521276	1	320	676.3	200	7.8	salt
1522907	1	600	1268.0	320	12.5	fresh

Working pressure 0,75MPa (7.5 bar) (110 psi.)
Other models are available.



CENTRALISED LUBRICATION SYSTEMS