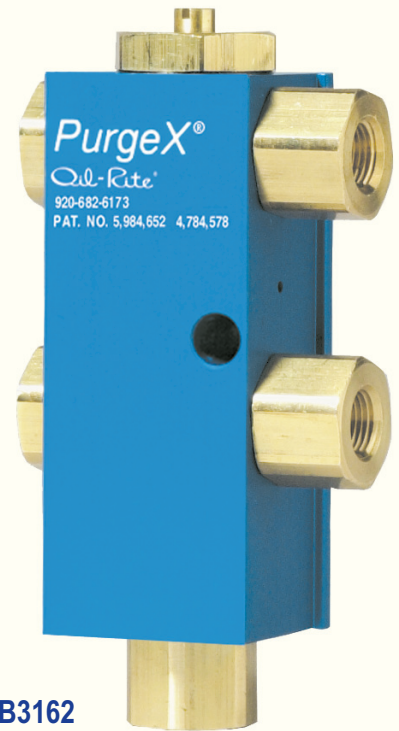


AIR OPERATED, LIQUID OR GREASE DELIVERY

The B3162-100 & 300 series of PurgeX® is air operated and designed for use with a wide variety of liquids and lubricating oils. The B3162-400 series of PurgeX® is air operated and designed for grease delivery. A remote, pressurized grease reservoir is used to deliver grease to the PurgeX® pump. An internal ball check in the outlet port permits pressurized delivery of the grease to the PurgeX® pump. PurgeX® pumps are quality engineered, manufactured, provide simplicity of operation, and are reliable over long periods of time (over 360,000,000 cycles have been achieved). Precise volumetric delivery is achieved with a positive displacement design and adjustment capability.

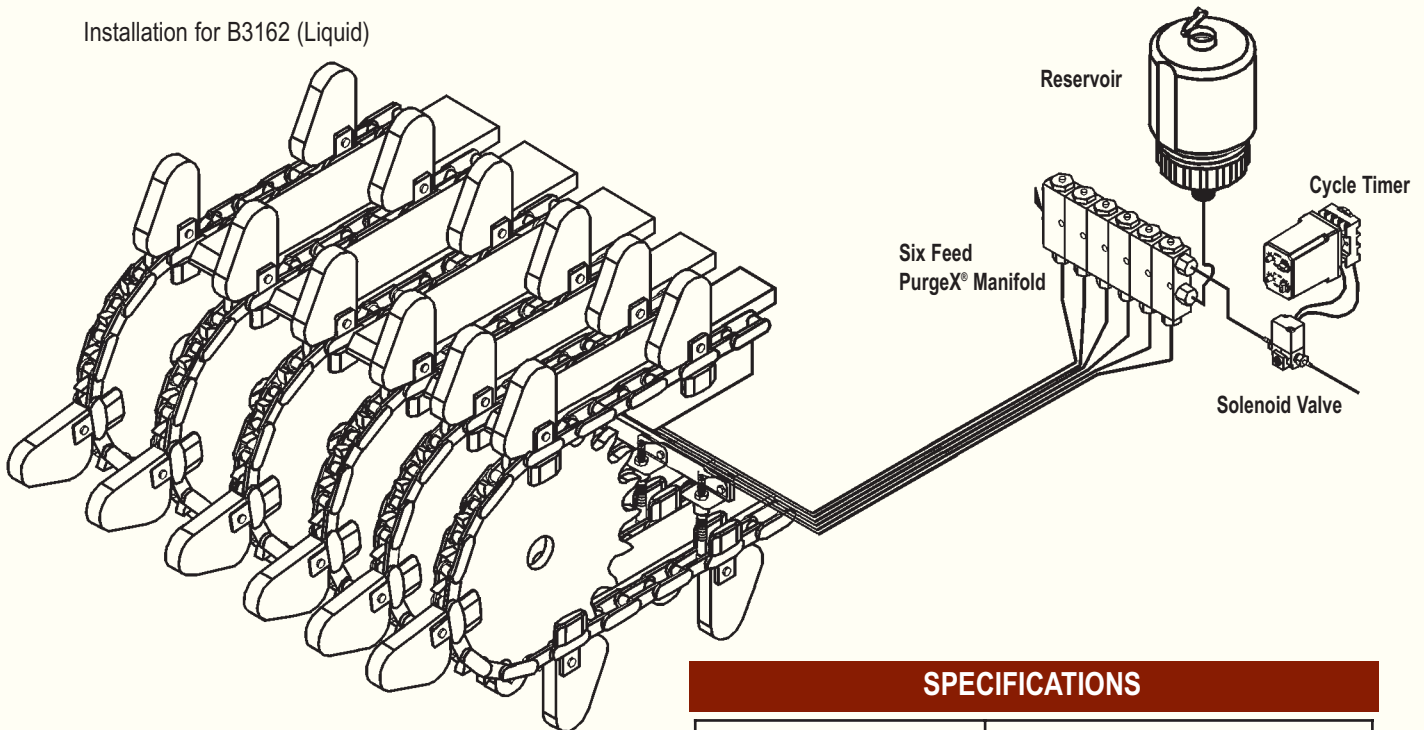
- Air pressure from 3-way solenoid valve begins lubrication cycle.
- When the air pressure is removed, the internal piston and evacuation valve retract, drawing liquid into the pumping chamber with a vacuum of 20-25" HG, preventing any after-drip of liquid.
- A 9:1 ratio of the air side to the lube side of the piston provides reliable delivery in all typical applications.
- For applications with multiple feed points, the PurgeX® is supplied in a manifold with common air and liquid or grease inlet ports, using the Threadadapter® connector. Each PurgeX® in the manifold operates as an individual pump with a separate adjustment for lubricant delivery per cycle.
- PurgeX® pump delivers small amounts of liquid/grease per cycle and can be rapid cycled for greater volumes or is excellent for high speed applications.



B3162

TYPICAL INSTALLATION

Installation for B3162 (Liquid)



In the application shown above, the PurgeX® system is used to lubricate chains in a packaging operation. Small amounts of liquid are precisely delivered, eliminating package contamination in this process. The basic requirements include only a lubricant reservoir, 3-way solenoid valve, cycle timer or sequence signal, tubing and fittings.

SPECIFICATIONS

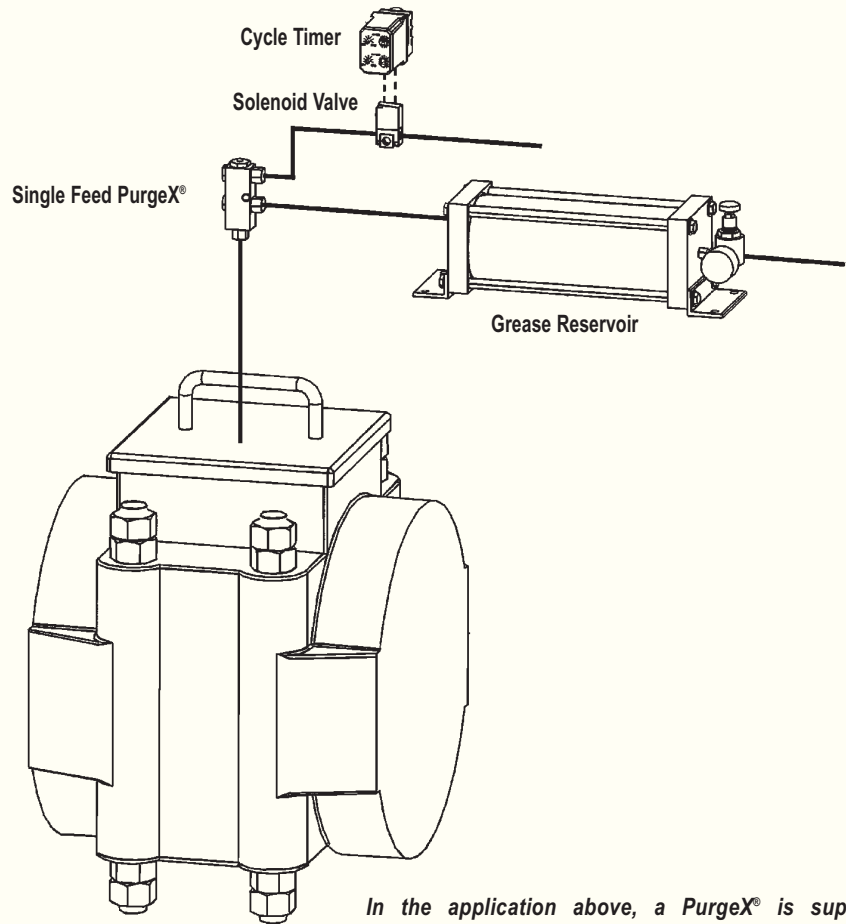
Air pressure	40-120 psi
Body	Anodized aluminum alloy (other materials available)
Seals	Buna-N & Viton® (other materials available)
Liquid/Grease delivery per cycle	0 to .012 cu. in., adjustable
Temperature range	-15° F to 180° F
Piston ratio	9:1
Piston diameter & stroke	.250 dia. by .250 stroke (inches)
Grease type	Grade 00, 0, 1, 2

HOW TO ORDER

1. Determine number of lubrication points and select corresponding PurgeX® model with the correct number of feeds.
2. Select liquid or grease reservoir with appropriate capacity.
3. Select a 3-way solenoid operated air valve to turn lubrication cycle on and off.
4. Select a timer or use machine controls to signal solenoid valve.
5. Select tubing and fittings.

See pages 19 and 20 for accessory model numbers

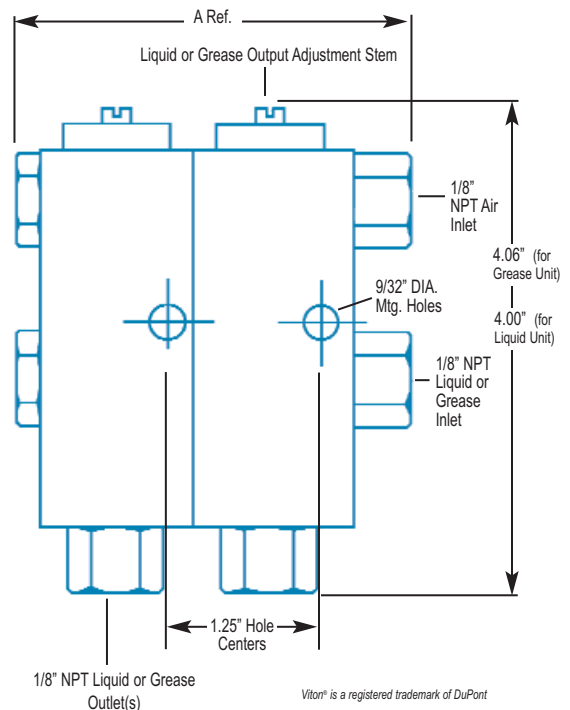
Installation for B3162 (Grease)



In the application above, a PurgeX® is supplying precise amounts of grease to a bearing, eliminating the need for manual lubrication and extending bearing life.

SELECTION CHART

Catalog Numbers			No. of Feeds	A Ref.
Buna-N seals	Viton® seals	Grease		
B3162-101	B3162-301	B3162-401	1	2
B3162-102	B3162-302	B3162-402	2	3-1/4
B3162-103	B3162-303	B3162-403	3	4-1/2
B3162-104	B3162-304	B3162-404	4	5-3/4
B3162-105	B3162-305	B3162-405	5	7
B3162-106	B3162-306	B3162-406	6	8-1/4
B3162-107	B3162-307	B3162-407	7	9-1/2
B3162-108	B3162-308	B3162-408	8	10-3/4
B3162-109	B3162-309	B3162-409	9	12
B3162-110	B3162-310	B3162-410	10	13-1/4
B3162-111	B3162-311	B3162-411	11	14-1/2
B3162-112	B3162-312	B3162-412	12	15-3/4



Viton® is a registered trademark of DuPont