

Compact Hand Crank Hose Reels

AVAILABLE IN: **HAND CRANK**

100 SERIES

COXREELS® 100 Series "Challenger" hand crank hose reels are lightweight, compact, versatile reels that perform at working pressures up to 4,000 PSI. Save time and effort while increasing the safety of your work environment. The sturdy "U" shaped frame and all steel construction make this one tough little reel. All listed models are supplied less hose. Stainless steel models are available.



100 Series 112-3-150

100 Series 112-3-50

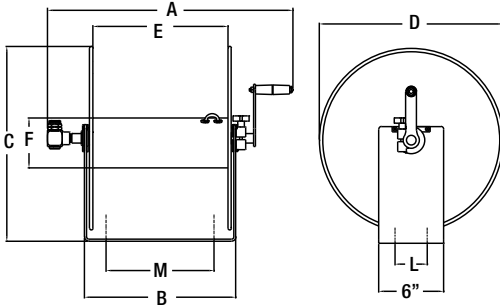


100 SERIES "CHALLENGER REELS"

LESS HOSE						SIZE INDEX
MODEL	I.D.	O.D.	FT.	PSI	APRX. LBS.	
112-3-50	3/8"	5/8"	50	4,000	15	1
112-3-100	3/8"	5/8"	100	4,000	19	2
112-3-150	3/8"	5/8"	150	4,000	21	3
117-3-250	3/8"	5/8"	250	4,000	30	4
117-3-400	3/8"	5/8"	400	4,000	33	5
117-3-550	3/8"	5/8"	550	4,000	35	6
112-4-75	1/2"	7/8"	75	4,000	21	3
117-4-225	1/2"	7/8"	225	4,000	31	5
117-4-350	1/2"	7/8"	350	4,000	37	6
117-5-100	3/4"	1 1/4"	100	4,000	35	7

REEL DIMENSIONS Technical Data Sheets Available On Website

SIZE INDEX	A	B	C	D	E	F	L	M
1	14 1/4"	6"	13"	12"	4 1/2"	5 1/2"	3"	4"
2	18 1/4"	9 1/2"	13"	12"	8"	5 1/2"	3"	5 1/2"
3	22 3/4"	14"	13"	12"	12 1/2"	5 1/2"	3"	10"
4	18 1/4"	9 1/2"	18"	17"	8"	5 1/2"	3"	5 1/2"
5	22 3/4"	14"	18"	17"	12 1/2"	5 1/2"	3"	10"
6	28 1/4"	19 1/2"	18"	17"	18"	5 1/2"	3"	15 1/2"
7	23 1/4"	14"	18"	17"	12 1/2"	5 1/2"	3"	10"



100 SERIES Offers...

- Hose I.D.: 3/8" - 3/4" Pressure: To 4,000 PSI
- ✓ Light Weight Compact Design
- ✓ Temperatures -20° F to 225° F
- ✓ Direct Hand Crank Action
- ✓ Up To 4,000 PSI Working Pressure
- ✓ Brass NPT Swivel Inlet Machined From Solid
- ✓ Brake Assembly Provides Adjustable Friction To Brake Or Lock The Drum
- ✓ Swivel Seals: NITRILE

COXREELS® SIGNATURE FEATURES:

- ✓ Professional Grade Heavy Duty Steel Construction
- ✓ Durable Proprietary CPC™ Powder Coat Process
- ✓ Rolled Edges & Ribbed Discs Provide Strength & Safety
- ✓ Leading 2-Year Manufacturer's Limited Warranty
- ✓ Made In The U.S.A. Sold & Supported Worldwide

HOW TO ORDER?
See Page 5 For Details

NEED SPECIAL O-RINGS
See Page 35 For Details

AVAILABLE OPTIONS

STAINLESS STEEL SWIVELS, PLUMBING & CONSTRUCTION FOR NON-CORROSIVE PURE PRODUCT FLOW



See Page 15 For Details



Toll Free 800-COX-REEL • Fax 800-229-REEL • Int 480-820-6396 • Fax 480-820-5132 • www.coxreels.com



Portable Hose Reels

AVAILABLE IN: **HAND CRANK**

DM & CM SERIES

COXREELS® DM Series "Dolly Mount" & CM Series "Caddy Mount" hand crank hose reels offer lightweight, compact portability for long lengths of hose.

Eliminate the task of manually coiling and uncoiling hose and easily transport it to the job site on wheels. High pressure applications are no problem with a 4,000 PSI rating. Also, a 4' inlet hose with 3/4" female fitting and male garden adaptor is available with this series for use with garden hose. See options below.

DM SERIES (DOLLY)

MODEL	LESS HOSE			OPTIONAL CAPACITY*			PSI	APRX. LBS.	SIZE INDEX
	I.D.	O.D.	FT.	I.D.	O.D.	FT.			
117-3-200-DM	3/8"	5/8"	200	-	-	-	4,000	37	1
117-4-225-DM	1/2"	7/8"	225	3/8"	3/4"	315	4,000	39	2

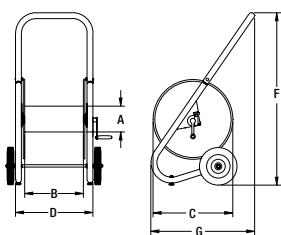
*Reducer Required, See Page 33

CM SERIES (CADDY)

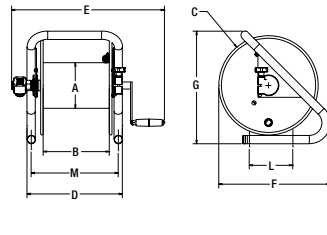
MODEL	LESS HOSE			OPTIONAL CAPACITY*			PSI	APRX. LBS.	SIZE INDEX
	I.D.	O.D.	FT.	I.D.	O.D.	FT.			
112-3-100-CM	3/8"	5/8"	100	-	-	-	4,000	18	3
112-3-150-CM	3/8"	5/8"	150	-	-	-	4,000	22	4
117-4-225-CM	1/2"	7/8"	225	3/8"	3/4"	315	4,000	28	5

*Reducer Required, See Page 33

DM Series



CM Series



REEL DIMENSIONS

Technical Data Sheets Available On Website

SIZE INDEX	A	B	C	D	E	F	G	L	M
1	5 1/2"	8"	17"	12"	20 3/8"	40"	19"	-	-
2	5 1/2"	12 1/2"	17"	16 3/4"	24 7/8"	40"	19"	-	-
3	5 1/2"	8"	12"	12"	18 3/8"	13"	13 3/4"	3"	6"
4	5 1/2"	12 1/2"	12"	16 1/2"	22 7/8"	13"	13 3/4"	3"	10 1/2"
5	5 1/2"	12 1/2"	17"	16 1/2"	23 1/8"	17 3/4"	19"	3"	10 1/2"

OTHER HEAVY DUTY PORTABLE REELS

HEAVY DUTY DM & HC SERIES

1125 & 1175 DM SERIES

PORTABLE CART (LESS REEL): Weight: 14 lbs.

#PR-1125-6 - To be used with 1125-4-100 & 1125-5-50

#PRP-1125-6 - To be used with 1125-4-100

#PR-1125-12 - To be used with 1125-4-200

#PRP-1125-12 - To be used with 1125-4-200

#PR-1175-11 - To be used with 1185-1124

#PRP-1175-11 - To be used with 1185-1124

#PR-1175-15 - To be used with 1185-1524

#PRP-1175-15 - To be used with 1185-1524

See Page 33 - 35 For More Details

1125 HC SERIES

✓ Easily Bolts To "A" Frame Making The Reel Portable

✓ 1" Tube Steel Construction

✓ Powder Coated Crinkle Black

#PR-1125-HC Weight: 8 lbs.

See Page 33 For More Details

AVAILABLE OPTIONS

STAINLESS STEEL

SWIVELS & PLUMBING FOR PURE PRODUCT FLOW APPLICATIONS

Consult Factory For Details



ORDER YOUR HOSE TO GO!

DM SERIES Offers...

Hose I.D.: 3/8" - 1/2" **Pressure:** To 4,000 PSI

- ✓ High-Quality Two Piece 1 1/4" Steel Tube Frame Structure
- ✓ Solid 8" Rubber Tires For Easy Transport
- ✓ Rubber Front Feet Prevent Reel From Slipping Forward
- ✓ Removable Handle Allows Compact Storage
- ✓ Direct Hand Crank Rewind Design
- ✓ Brass NPT Swivel Inlet Machined From Solid
- ✓ Brake Assembly Provides Adjustable Friction To Brake Or Lock The Drum
- ✓ Swivel Seals: NITRILE

CM SERIES Offers...

Hose I.D.: 3/8" - 1/2" **Pressure:** To 4,000 PSI

- ✓ High-Quality Two Piece 1" Steel Tube Frame Structure
- ✓ Hose Control Bar Prevents Hose From Slipping Off The Discs
- ✓ Direct Hand Crank Rewind Design
- ✓ Base Has Holes For Temporary Mounting Or Permanent Installation
- ✓ Brass NPT Swivel Inlet Machined From Solid
- ✓ Brake Assembly Provides Adjustable Friction To Brake Or Lock The Drum
- ✓ Swivel Seals: NITRILE

COXREELS® SIGNATURE FEATURES:

- ✓ Professional Grade Heavy Duty Steel Construction
- ✓ Durable Proprietary CPC™ Powder Coat Process
- ✓ Rolled Edges & Ribbed Discs Provide Strength & Safety
- ✓ Leading 2-Year Manufacturer's Limited Warranty
- ✓ Made In The U.S.A. Sold & Supported Worldwide

HOW TO ORDER?

See Page 5 For Details

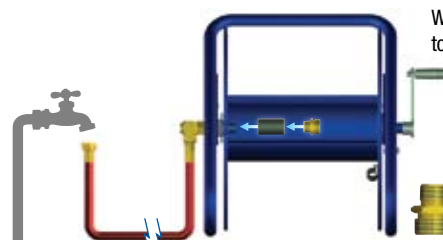
NEED SPECIAL O-RINGS

See Page 35 For Details

GARDEN HOSE KIT

With the Garden Hose Kit you are able to connect any hose to a reel with 1/2" plumbing. You will be able to use any garden hose for everything from watering plants to washing your car

See Page 37 For More Details



KIT INCLUDES:
NPT to Garden Hose Adaptor & Adaptor Hose

CATALOG #CMC08 ©Copyright 2008 COXREELS



Toll Free 800-COX-REEL • Fax 800-229-REEL • Int 480-820-6396 • Fax 480-820-5132 • www.coxreels.com

