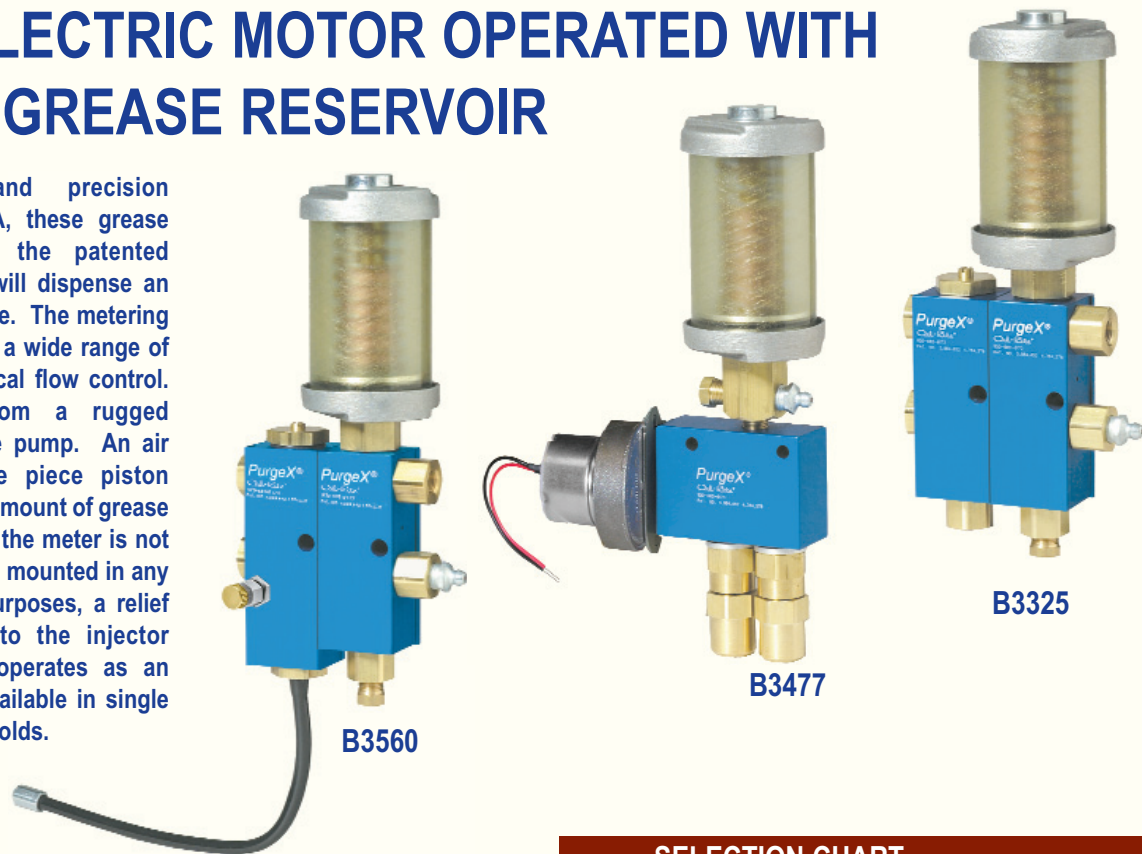


# AIR AND ELECTRIC MOTOR OPERATED WITH INTEGRAL GREASE RESERVOIR

Entirely engineered and precision manufactured in the USA, these grease pump systems employ the patented PurgeX® technology and will dispense an accurate volume each cycle. The metering systems can be used with a wide range of greases that demand critical flow control. Grease is supplied from a rugged fiberglass reservoir to the pump. An air signal pulses the single piece piston causing a pre-determined amount of grease to be ejected. Location of the meter is not critical as the meter can be mounted in any orientation. For safety purposes, a relief valve is incorporated into the injector block. Each PurgeX® operates as an individual pump and is available in single feed or multiple feed manifolds.



- For applications with multiple feed points, the Threadapter® is a fastener for securing the two pumps together, which allows fluid communication in the manifold. This exclusive and unique feature allows the option of changing the units in the field by merely adding additional pumps.

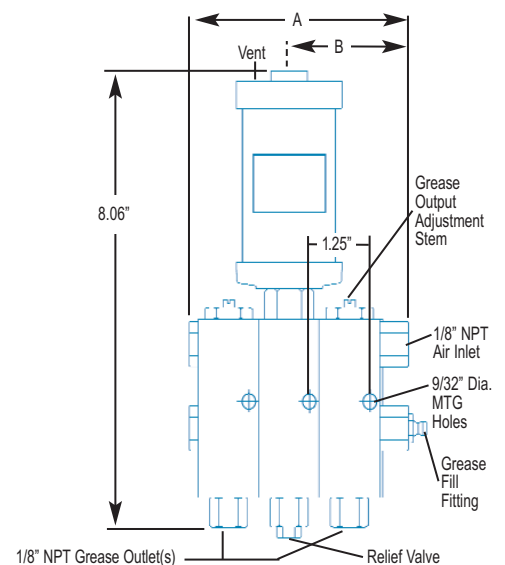
## SPECIFICATIONS

Air Pressure	40-120 psi
Body	Anodized aluminum alloy (other materials available)
Seals	Buna-N & Viton® (other materials available)
Grease delivery per cycle (air operated models)	1/4" piston 0 to .012 cu. in., adjustable 1/8" piston 0 to .0012 cu. in., adjustable
Grease delivery per cycle (electric motor operated models)	1/4" piston 0 to .009 cu. in., adjustable
Temperature range	-15° F to 180° F (air operated models) -15° F to 120° F (elec. mtr. operated)
Piston ratio (air operated models)	1/4" piston 9:1 1/8" piston 25:1
Motor voltage	120V/60Hz (other voltages available)
Current draw	.025 amps at 120 volts
Motor speed	1 RPM (other RPM's available)
Nozzle length	8 inches (other sizes available)
Grease type	Grade 00, 0, 1, 2

## SELECTION CHART

### AIR OPERATED, 1/4" PISTON

Catalog No.	No. of Feeds	A	B
B3325-401	1	3-1/4	2-3/8
B3325-402	2	4-1/2	2-3/8
B3325-403	3	5-3/4	3-5/8
B3325-404	4	7	3-5/8
B3325-405	5	8-1/4	4-7/8
B3325-406	6	9-1/2	4-7/8
B3325-407	7	10-3/4	6-1/8
B3325-408	8	12	6-1/8

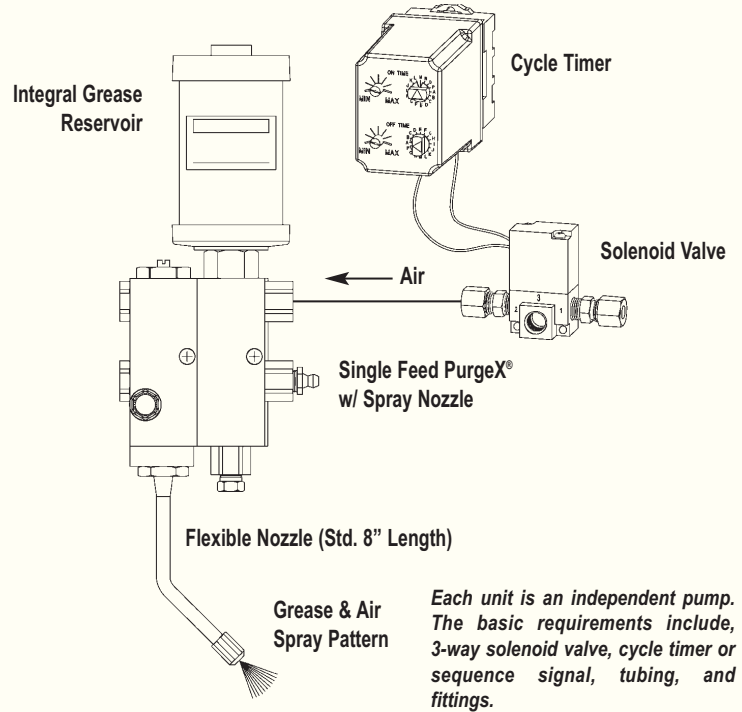


## HOW TO ORDER

1. Determine number of lubrication points and select corresponding PurgeX® model with the correct number of feeds.
2. If air operated, select a 3-way solenoid operated air valve to turn lubrication cycle on and off. Select a timer or use machine controls to signal solenoid valve.
3. If electric motor operated, use machine controls or other remote signal to provide power to electric motor. (Cycle rate is continuous as long as power is supplied to the motor.) Standard, 1 RPM motor. Other speeds available.
4. Select tubing and fittings.

See pages 19 and 20 for accessory model numbers

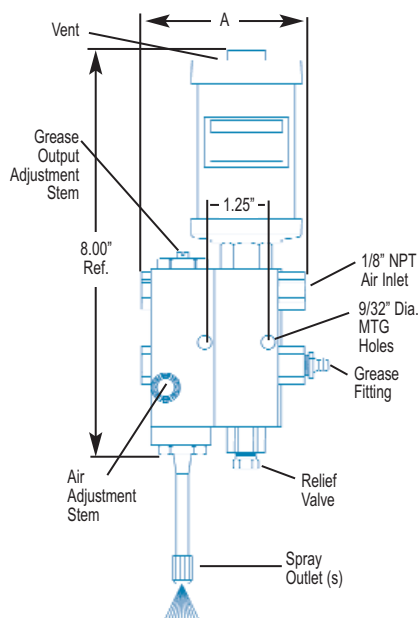
### Installation for B3560 (Grease Spray)



## SELECTION CHART

### AIR OPERATED SPRAY, 1/4" OR 1/8" PISTON

Catalog No. 1/4" Spray Grease	Catalog No. 1/8" Spray Grease Buna-N seals (not shown)	Catalog No. 1/8" Spray Grease Viton® seals (not shown)	No. of Feeds	A
B3560-401	B3586-101	B3586-301	1	3-7/32
B3560-402	B3586-102	B3586-302	2	4-15/32
B3560-403	B3586-103	B3586-303	3	5-23/32
B3560-404	B3586-104	B3586-304	4	6-31/32
B3560-405	B3586-105	B3586-305	5	8-7/32
B3560-406	B3586-106	B3586-306	6	9-15/32



## SELECTION CHART

### ELECTRIC MOTOR OPERATED

Catalog No.	No. of Feeds	A	B	C
B3477-1	1	1-5/8	25/32	1-1/16
B3477-2	2	2-15/32	1-9/16	1-1/2
B3477-3	3	3-5/16	2-3/8	1-15/16
B3477-4	4	4-5/32	3-3/16	2-5/16

Consult factory:

1. Other AC and DC motor voltages and RPM'S available.

